

US00D492338S1

(12) **United States Design Patent**  
**Ooshima**

(10) **Patent No.: US D492,338 S**

(45) **Date of Patent: \*\* Jun. 29, 2004**

(54) **LIQUID CRYSTAL PROJECTOR**

(75) **Inventor: Jun Ooshima, Ota-ku (JP)**

(73) **Assignee: Kabushiki Kaisha Toshiba (JP)**

(\*\*) **Term: 14 Years**

(21) **Appl. No.: 29/187,317**

(22) **Filed: Jul. 31, 2003**

(30) **Foreign Application Priority Data**

May 26, 2003 (JP) ..... 2003-014590

(51) **LOC (7) Cl. .... 16-02**

(52) **U.S. Cl. .... D16/230; D16/225**

(58) **Field of Search .... D16/205, 208,  
D16/221, 225, 230, 231; D21/514; 353/115,  
119, 122**

(56) **References Cited**

**U.S. PATENT DOCUMENTS**

D387,795 S	*	12/1997	Sakamoto	.....	D16/231
D449,060 S	*	10/2001	Saeki et al.	.....	D16/230
D450,076 S	*	11/2001	Fujimaki	.....	D16/230
D454,360 S	*	3/2002	Shimizu et al.	.....	D16/230
D470,525 S	*	2/2003	Nakayama et al.	.....	D16/231
D473,253 S	*	4/2003	Shimamoto	.....	D16/225

D475,389 S	6/2003	Kurokawa	.....	D16/230
D477,833 S	7/2003	Kurokawa et al.	.....	D16/230
2003/0174288 A1 *	9/2003	Nakano	.....	353/119

**FOREIGN PATENT DOCUMENTS**

DE	40102961	9/2001
JP	1092912	* 12/2000
JP	1102869	3/2001
JP	1129118	12/2001

\* cited by examiner

*Primary Examiner*—Adir Aronovich

(74) *Attorney, Agent, or Firm*—Banner & Witcoff, Ltd.

(57) **CLAIM**

The ornamental design for a liquid crystal projector, as shown and described.

**DESCRIPTION**

FIG. 1 is a top, front and right side perspective view of a liquid crystal projector showing my new design, FIG. 2 is a front elevational view thereof, FIG. 3 is a rear elevational view thereof, FIG. 4 is a left side elevational view thereof, FIG. 5 is a right side elevational view thereof, FIG. 6 is a top plan view thereof; and, FIG. 7 is a bottom plan view thereof.

**1 Claim, 3 Drawing Sheets**

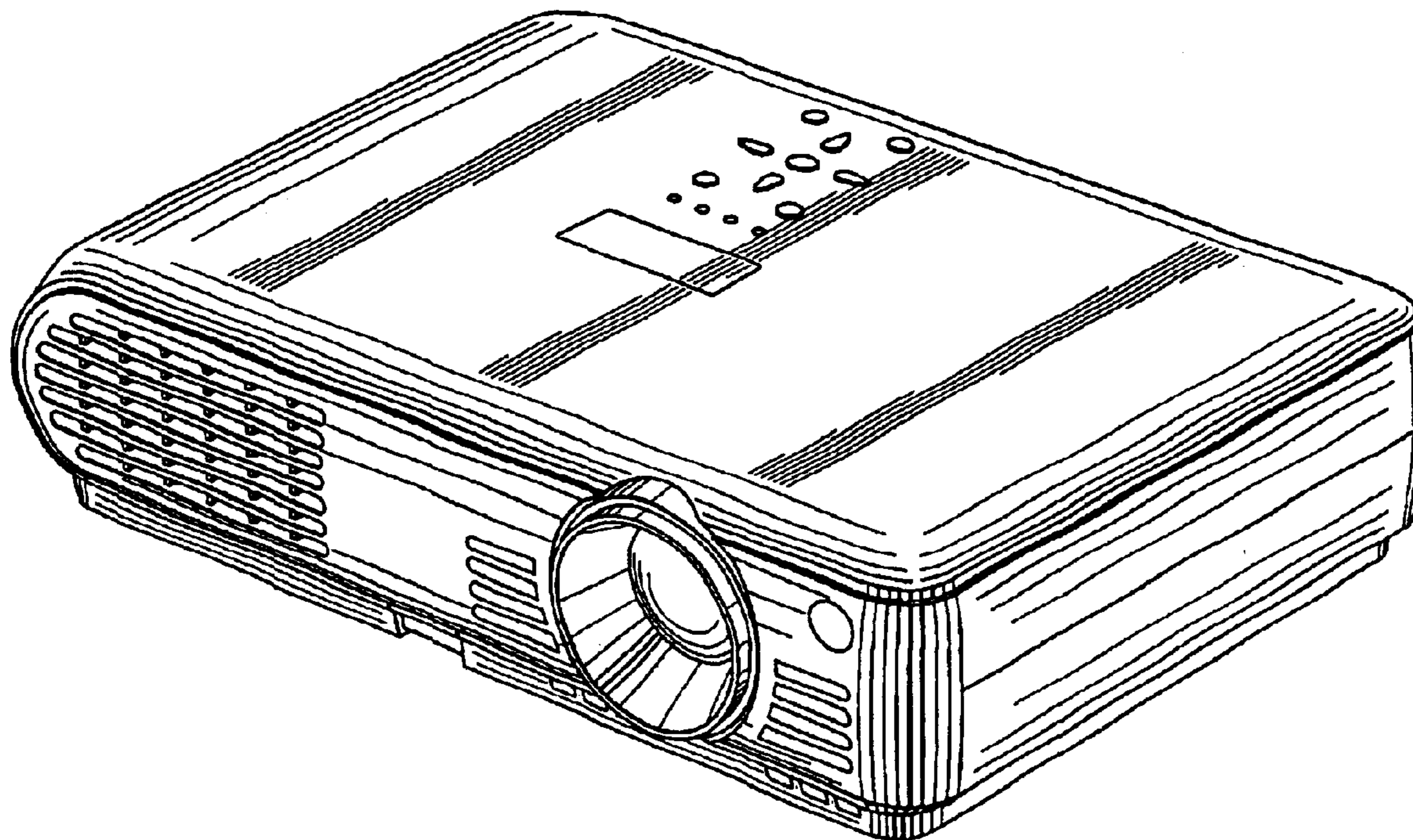


FIG. 1

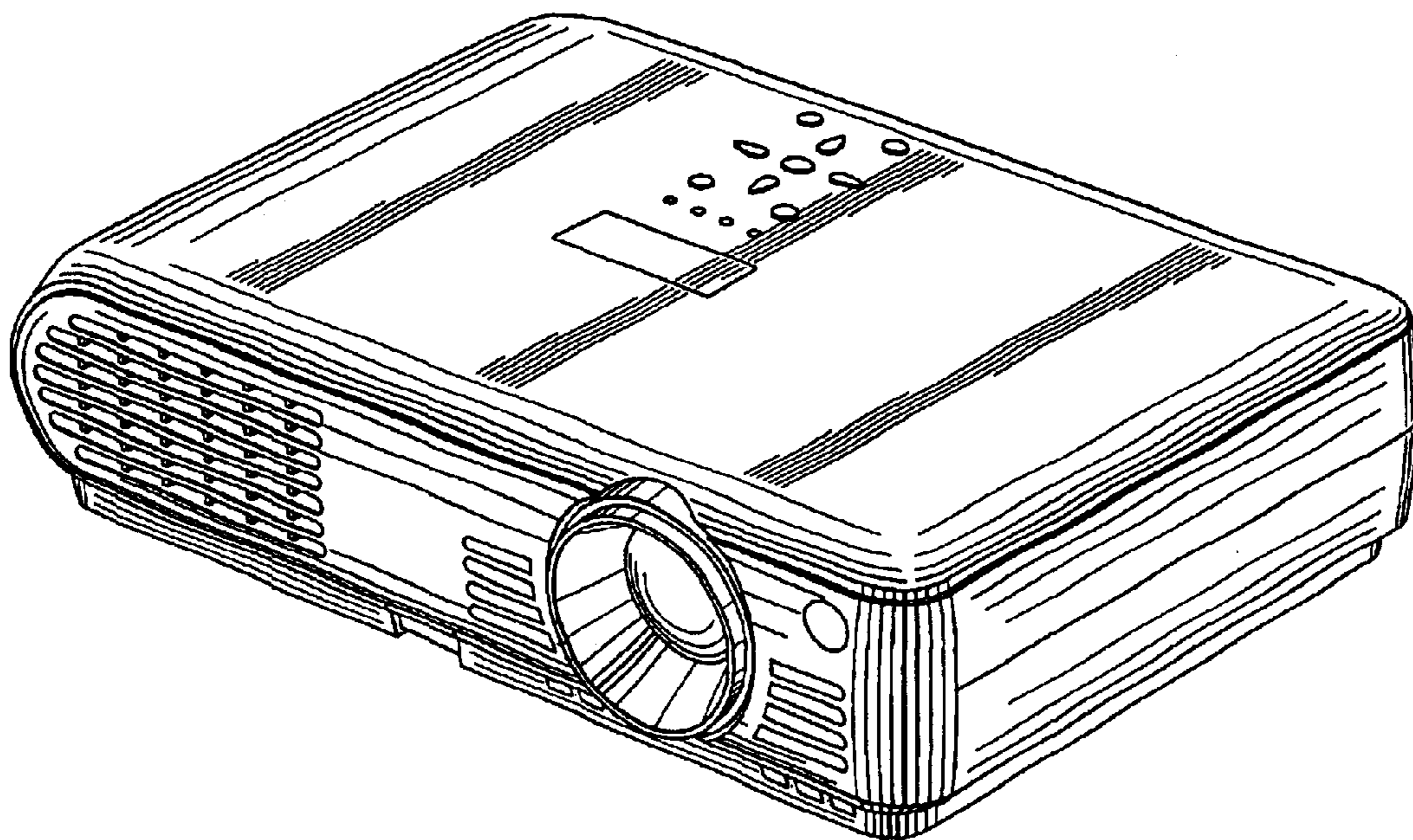


FIG. 2

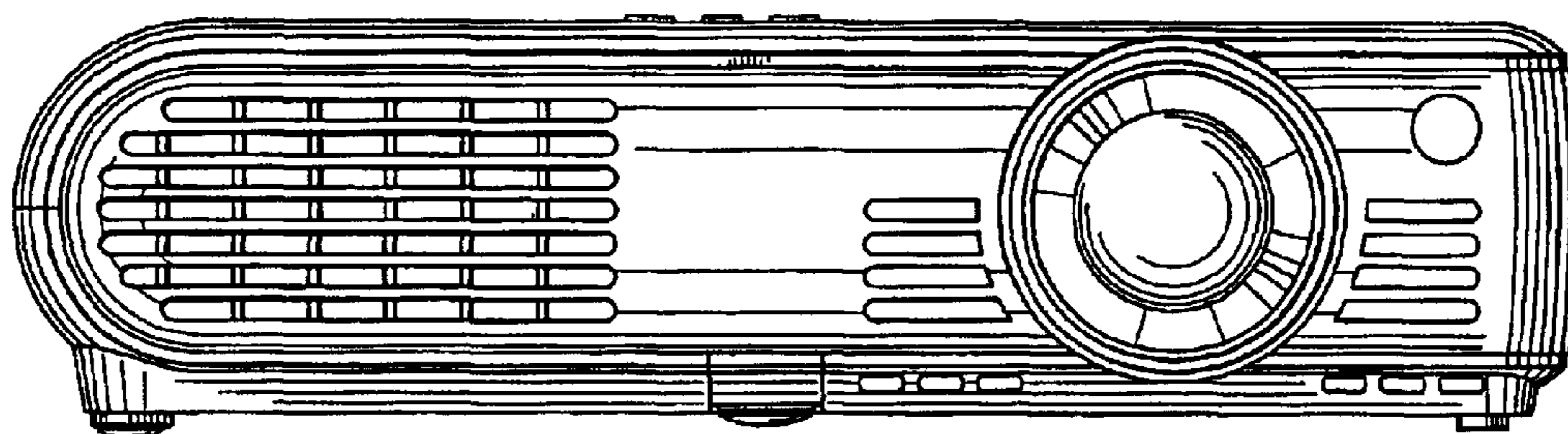


FIG. 3

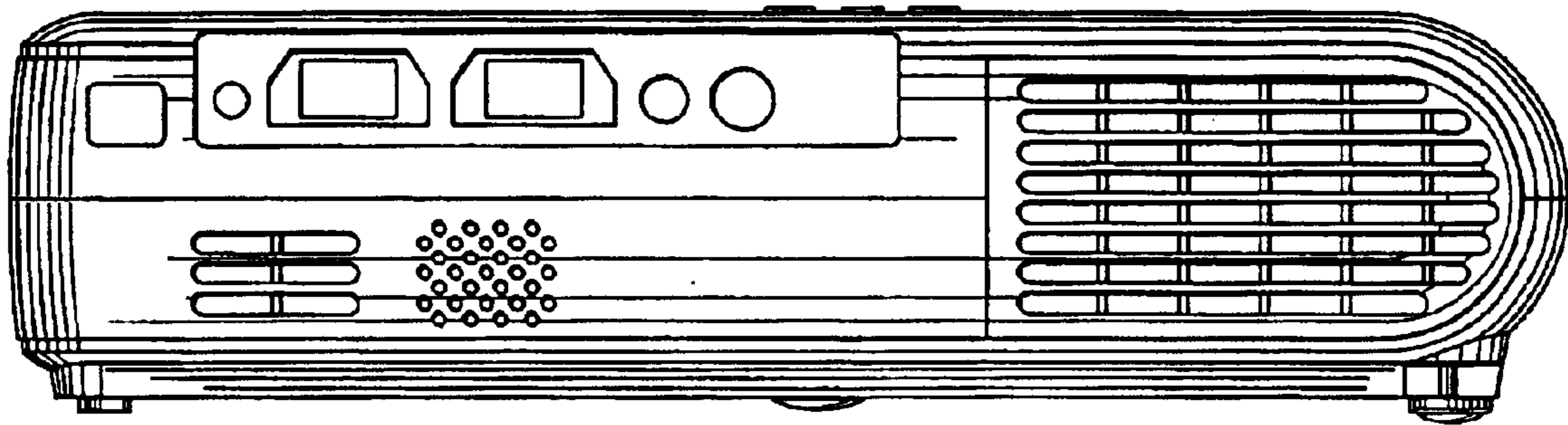


FIG. 4

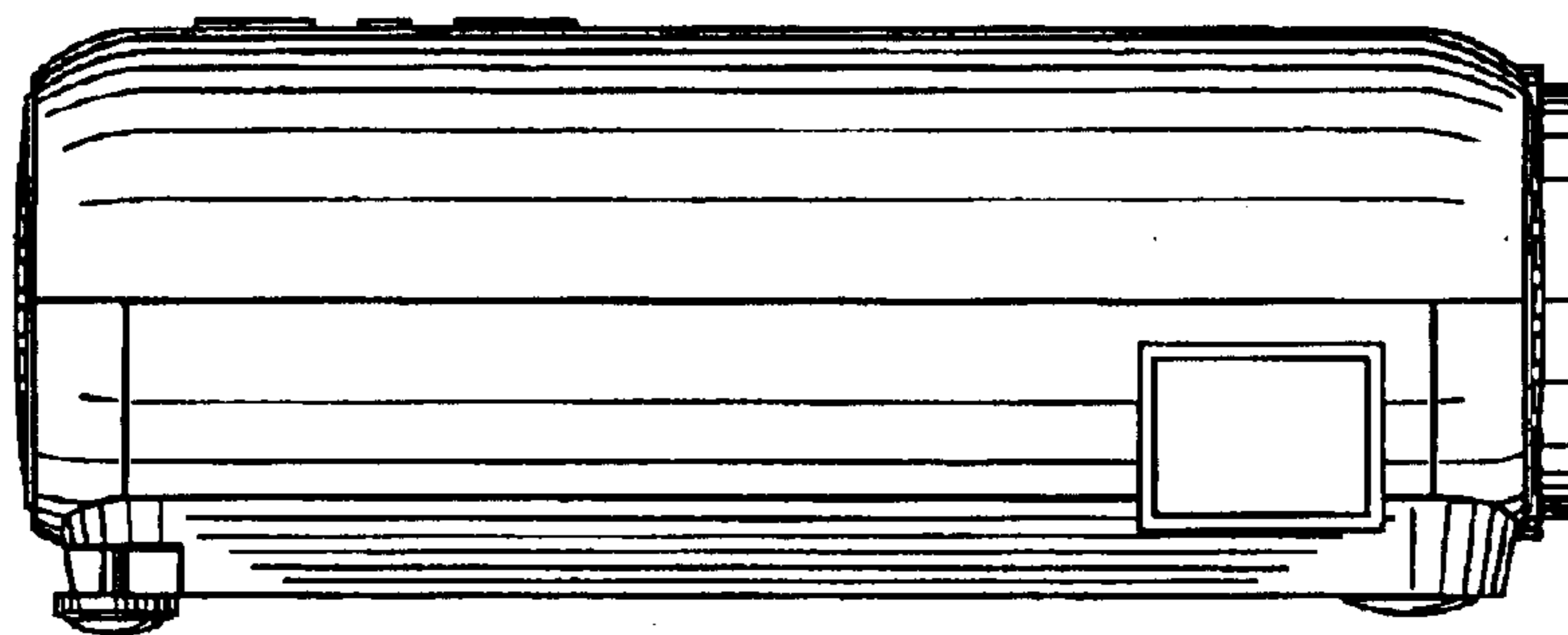


FIG. 5

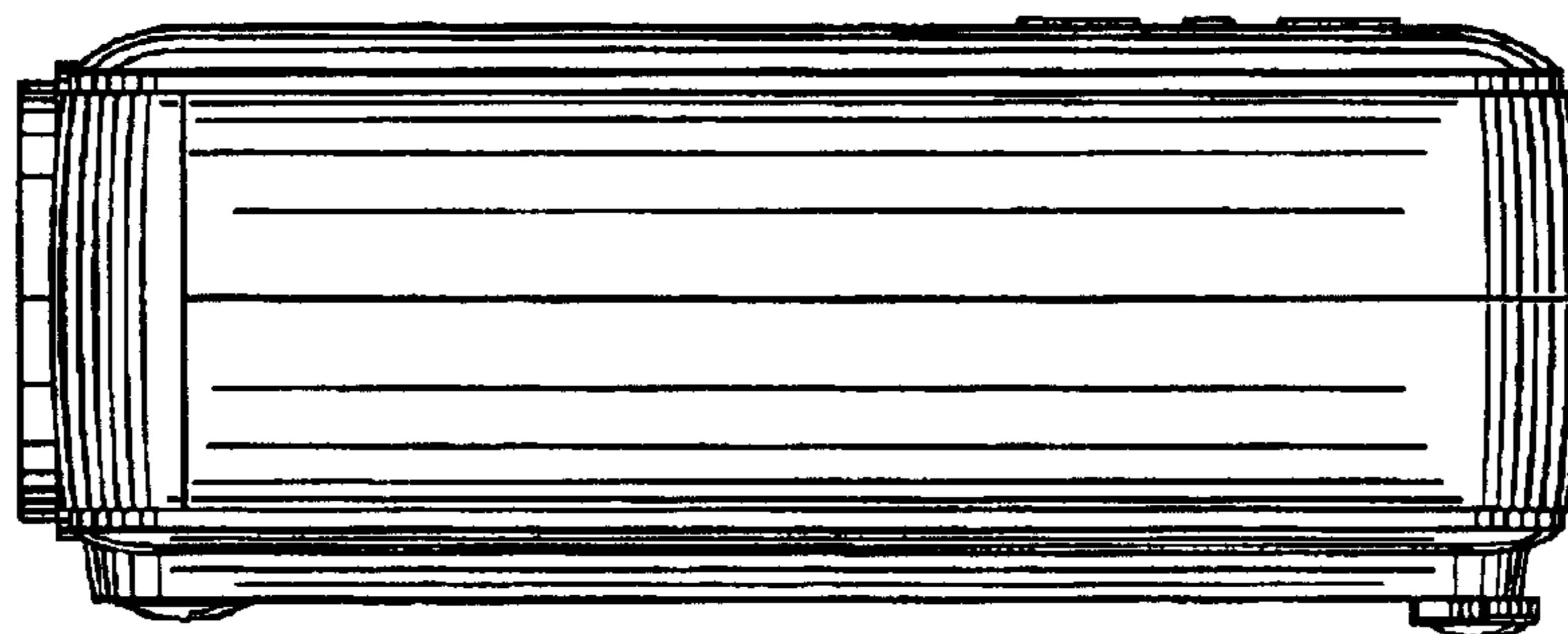


FIG. 6

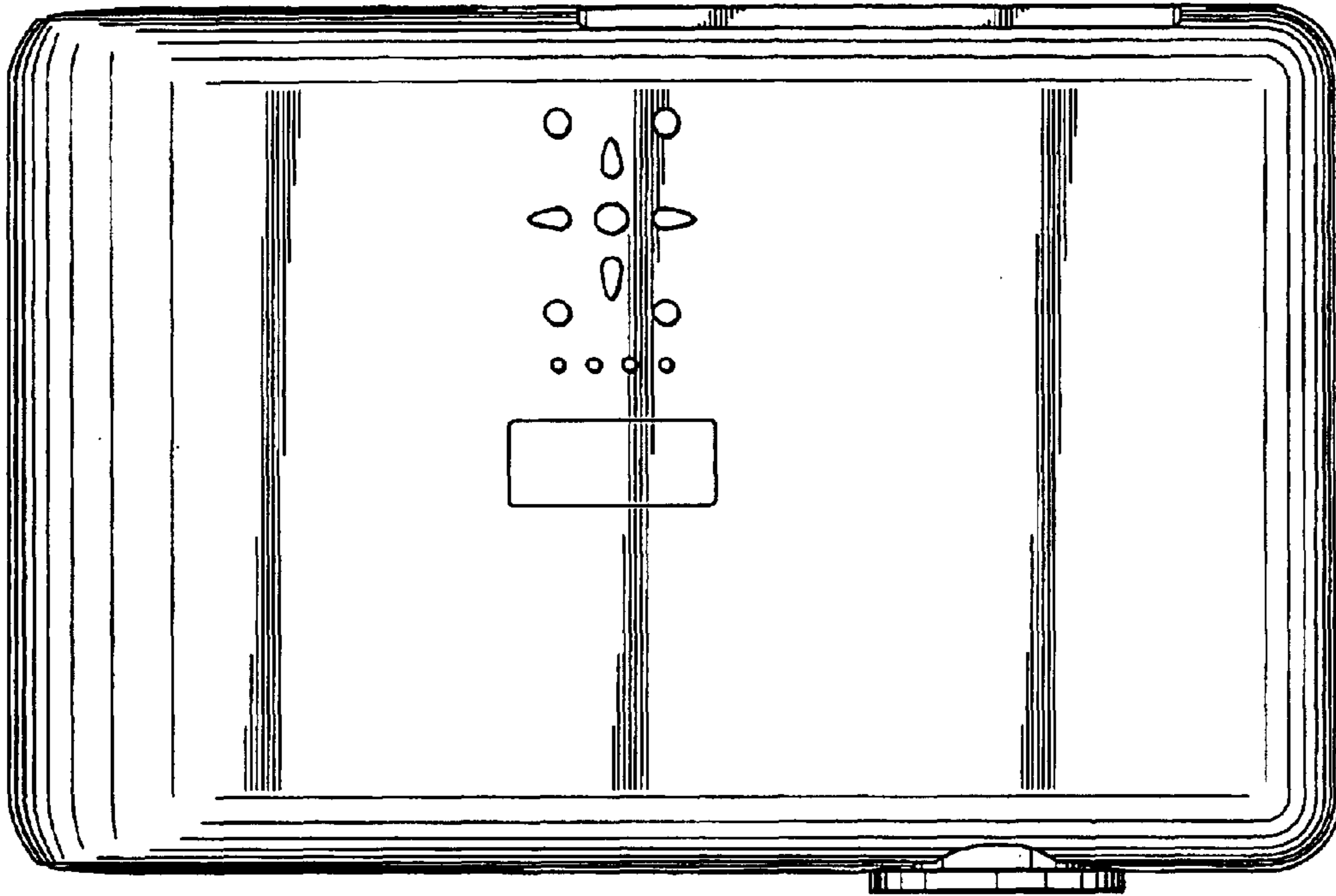


FIG. 7

