



US00D492337S1

(12) **United States Design Patent**  
**Shimobayashi**

(10) **Patent No.:** **US D492,337 S**  
(45) **Date of Patent:** **\*\* Jun. 29, 2004**

- (54) **DIGITAL CAMERA**
- (75) **Inventor:** **Koji Shimobayashi, Hachioji (JP)**
- (73) **Assignee:** **Olympus Corporation, Tokyo (JP)**
- (\*\*) **Term:** **14 Years**
- (21) **Appl. No.:** **29/193,847**
- (22) **Filed:** **Nov. 13, 2003**

**Related U.S. Application Data**

- (62) Division of application No. 29/169,698, filed on Oct. 24, 2002, now Pat. No. Des. 486,508.

(30) **Foreign Application Priority Data**

- Sep. 24, 2002 (JP) ..... 2002-26023
- Sep. 24, 2002 (JP) ..... 2002-26024

- (51) **LOC (7) Cl.** ..... **16-05**
- (52) **U.S. Cl.** ..... **D16/219; D16/202; D16/209**
- (58) **Field of Search** ..... **D16/200-204, D16/208, 209, 211, 212, 217, 218, 219; 396/176-178, 535-541**

(56) **References Cited**

**U.S. PATENT DOCUMENTS**

- 4,893,140 A \* 1/1990 Yamamoto et al. .... 396/177
- D372,724 S 8/1996 Funato et al. .... D16/217
- D390,860 S 2/1998 Kim ..... D16/217
- 5,721,984 A 2/1998 Kaneko et al. .... 396/177
- D430,184 S \* 8/2000 Tanaka ..... D16/209
- D430,187 S 8/2000 Naito ..... D16/218
- D449,325 S \* 10/2001 Iue et al. .... D16/202

- D456,430 S 4/2002 Kobayashi et al. .... D16/202
- D462,704 S \* 9/2002 Suzuki et al. .... D16/202
- D462,705 S 9/2002 Hamamura ..... D16/202
- 6,510,286 B1 \* 1/2003 Terada et al. .... 396/177
- 2002/0041765 A1 \* 4/2002 Onda et al. .... 396/538

**OTHER PUBLICATIONS**

Olympus Catalog of digital camera (C-700 Ultra Zoom) published Apr. 1, 2001.  
 Website showing a digital camera (C-700 Ultra Zoom) published Mar. 21, 2001.

\* cited by examiner

*Primary Examiner*—Adir Aronovich

(74) *Attorney, Agent, or Firm*—Hogan & Hartson LLP

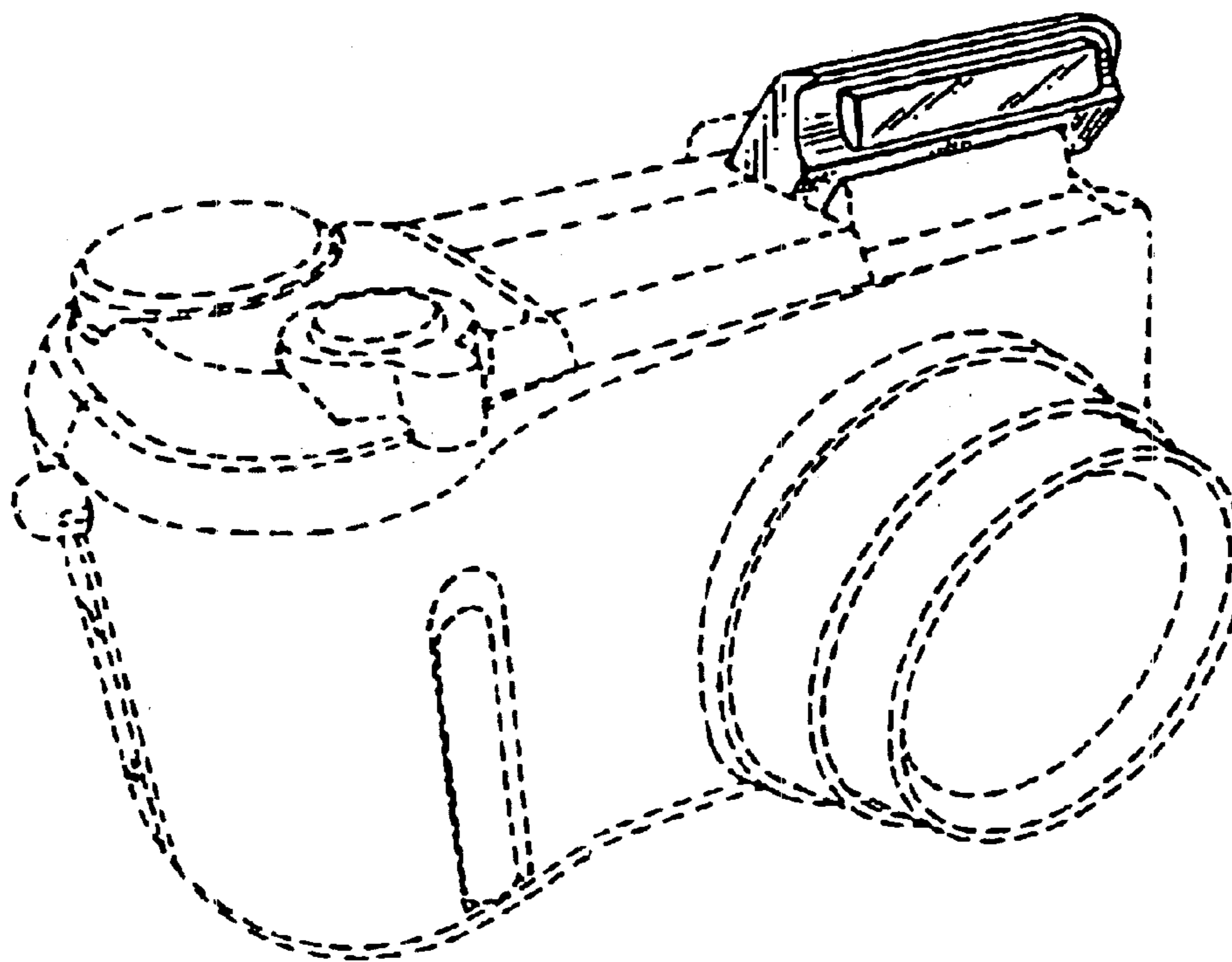
(57) **CLAIM**

The ornamental design for a digital camera, as shown and described.

**DESCRIPTION**

FIG. 1 is a front, top and left side perspective view of a fourth embodiment of a digital camera;  
 FIG. 2 is a front, top and left side perspective view thereof with an electronic flashing unit in a closed state;  
 FIG. 3 is a front elevational view of FIG. 1;  
 FIG. 4 is a rear elevational view thereof;  
 FIG. 5 is a top plan view thereof;  
 FIG. 6 is a bottom plan view thereof;  
 FIG. 7 is a right side elevational view thereof; and,  
 FIG. 8 is a left side elevational view thereof.  
 The broken line portions are shown for illustrative purposes only and form no part of the claimed design.

**1 Claim, 4 Drawing Sheets**



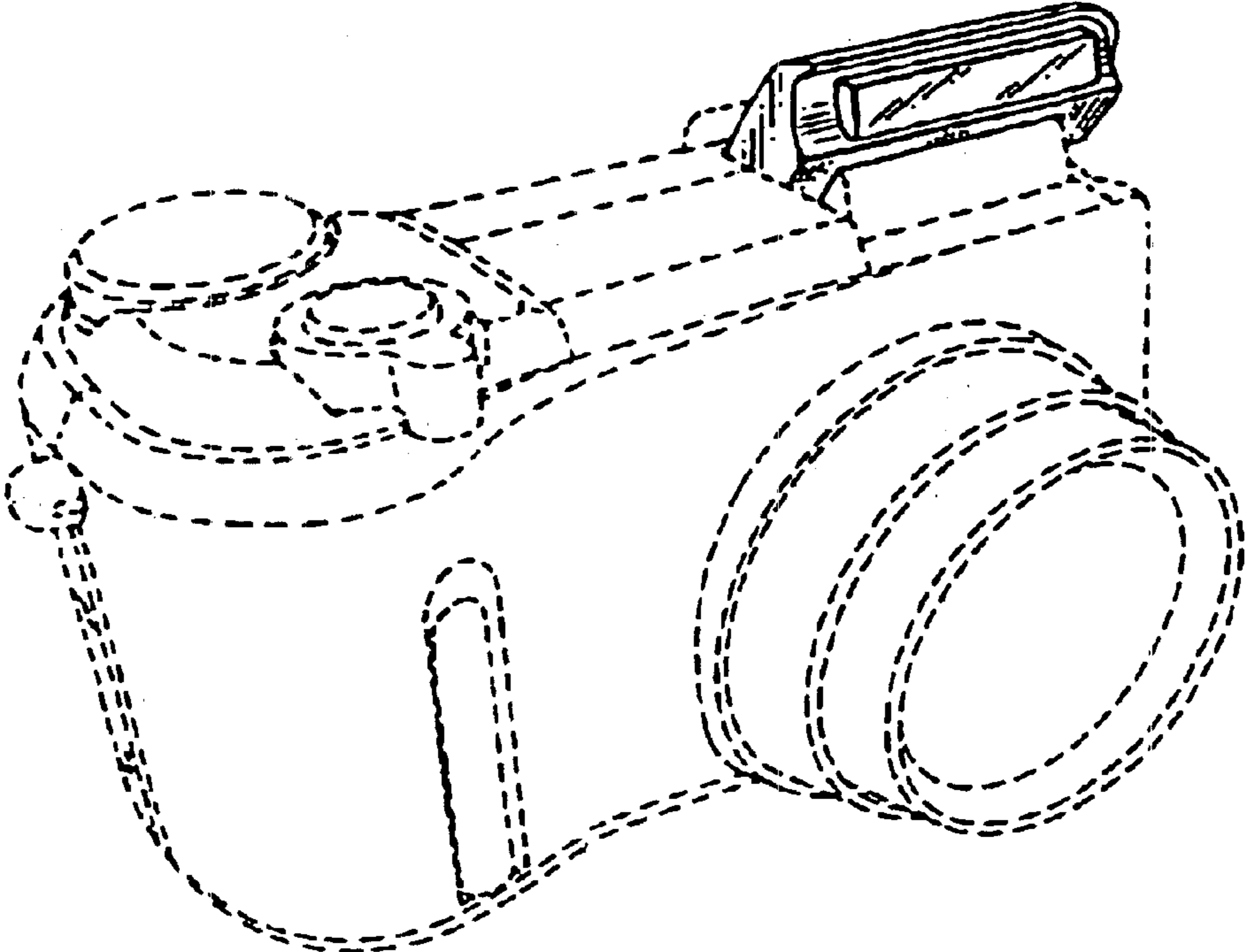


FIG. 1

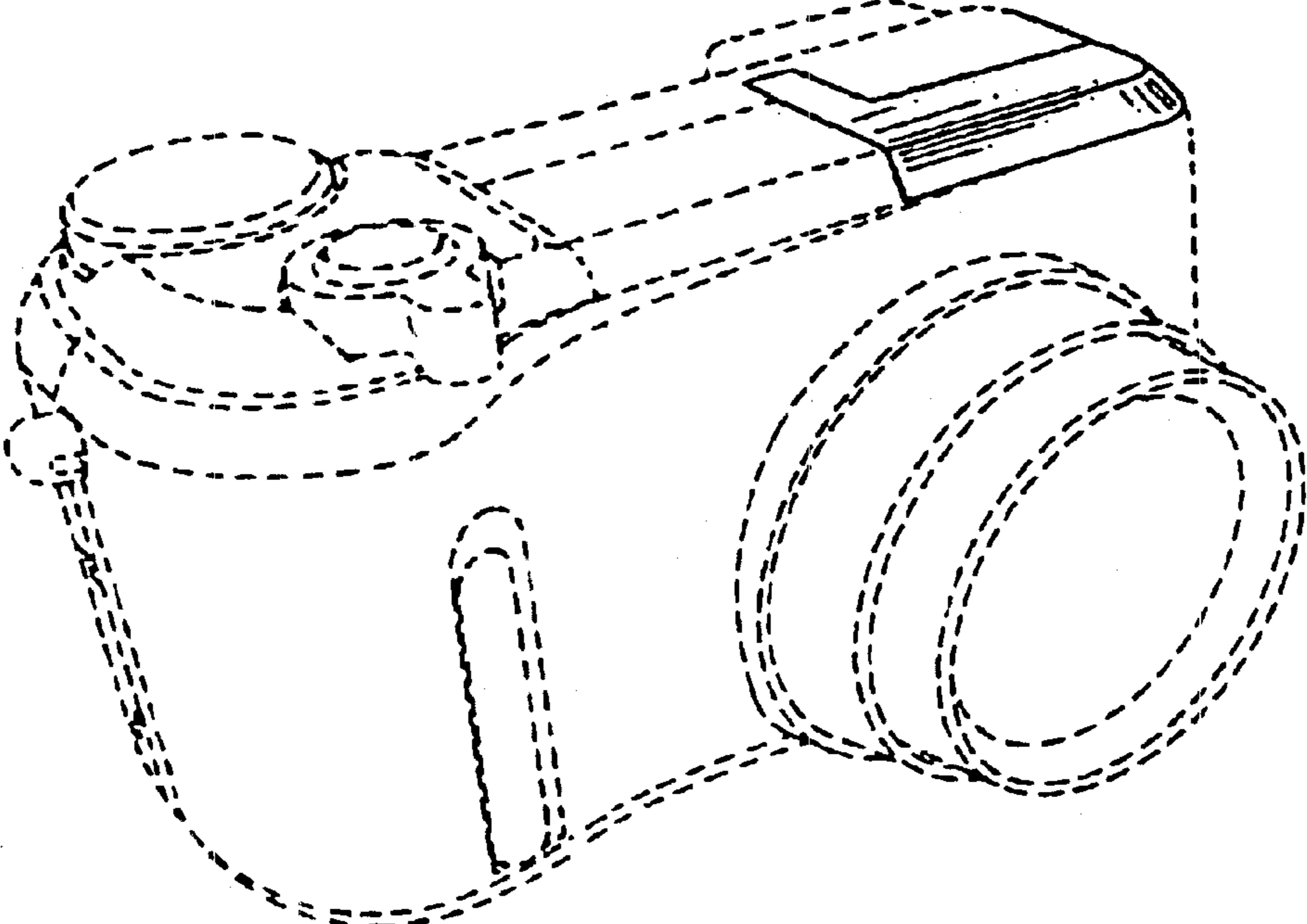


FIG. 2

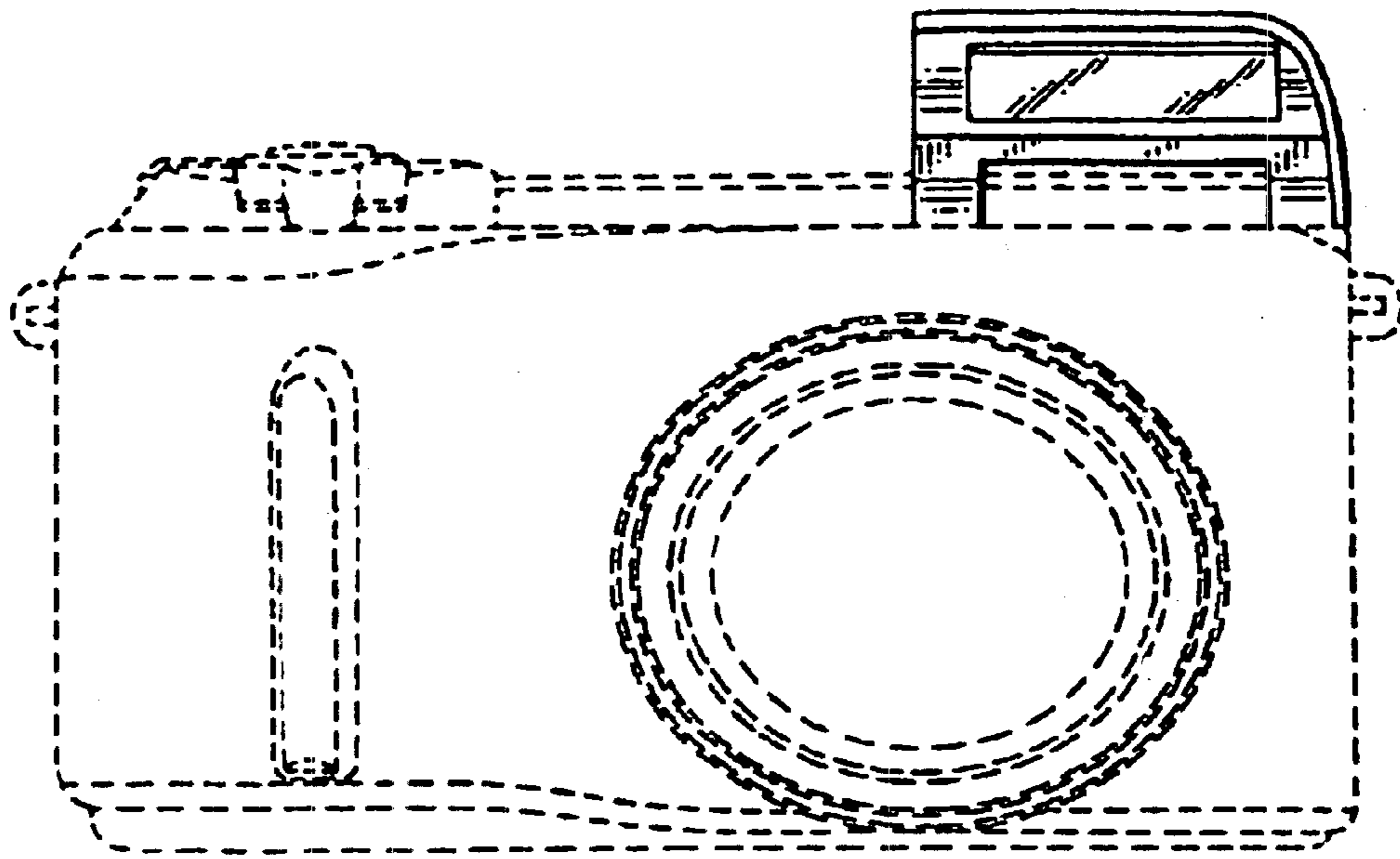


FIG. 3

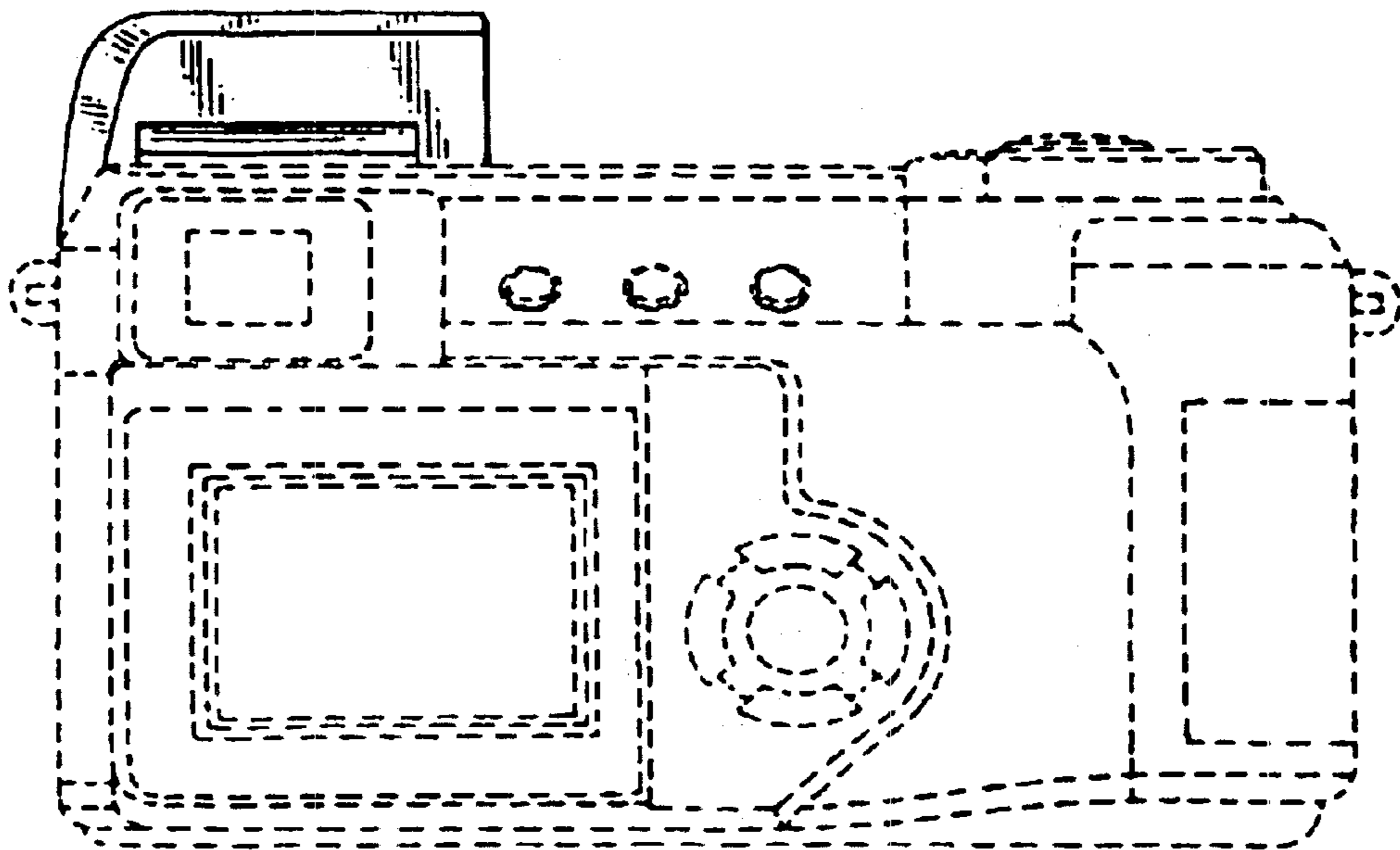


FIG. 4

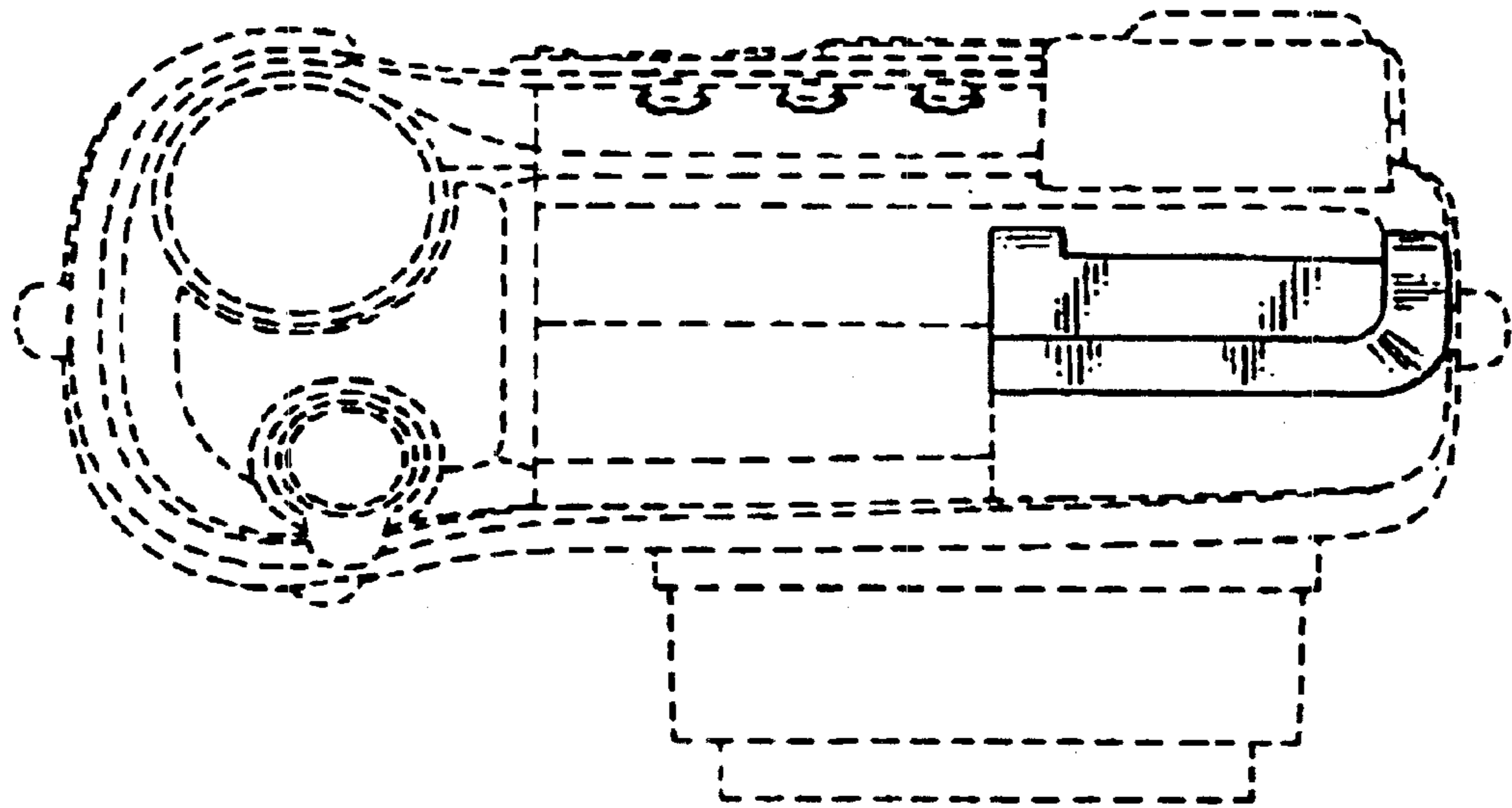


FIG. 5

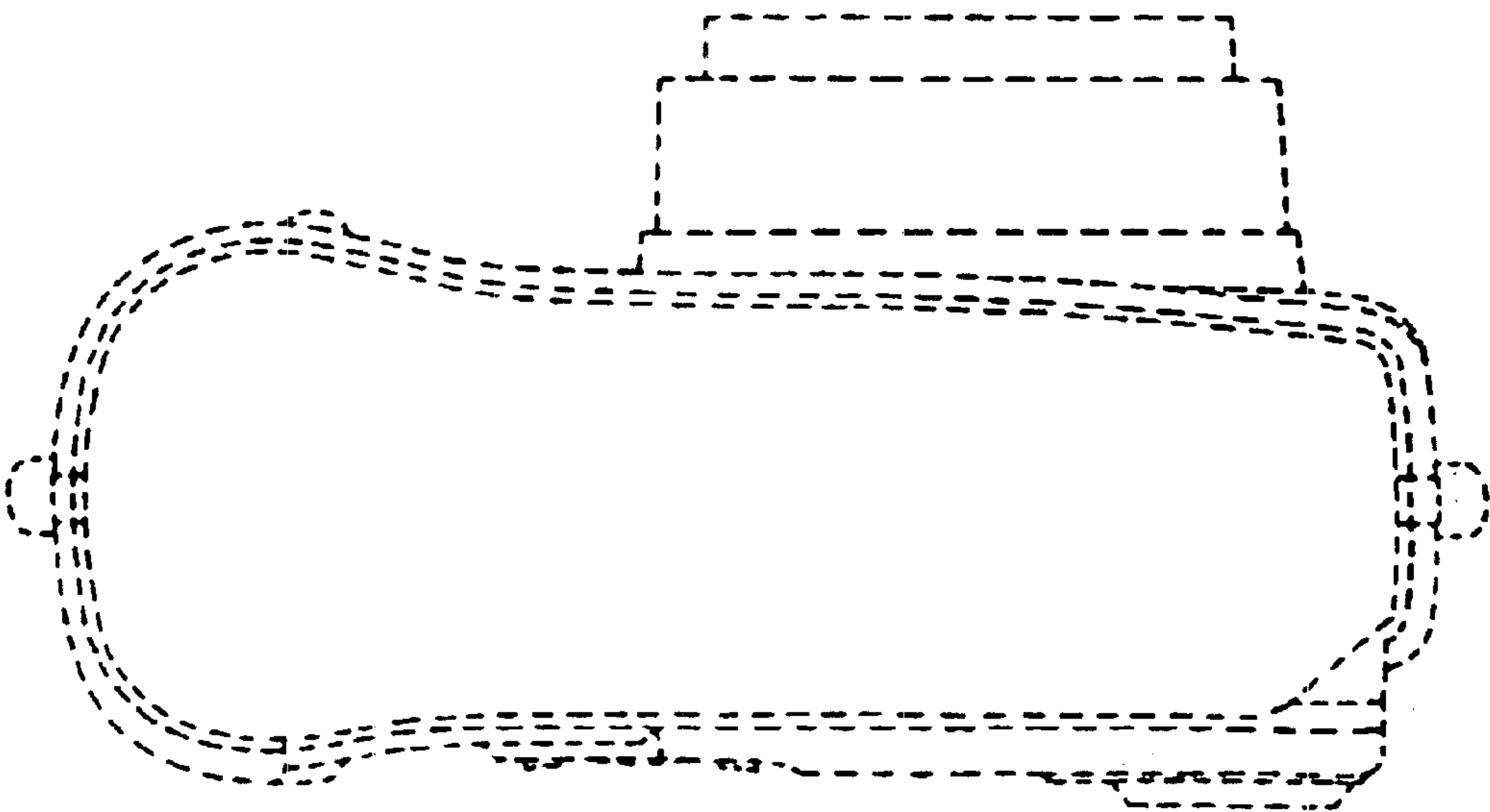


FIG. 6

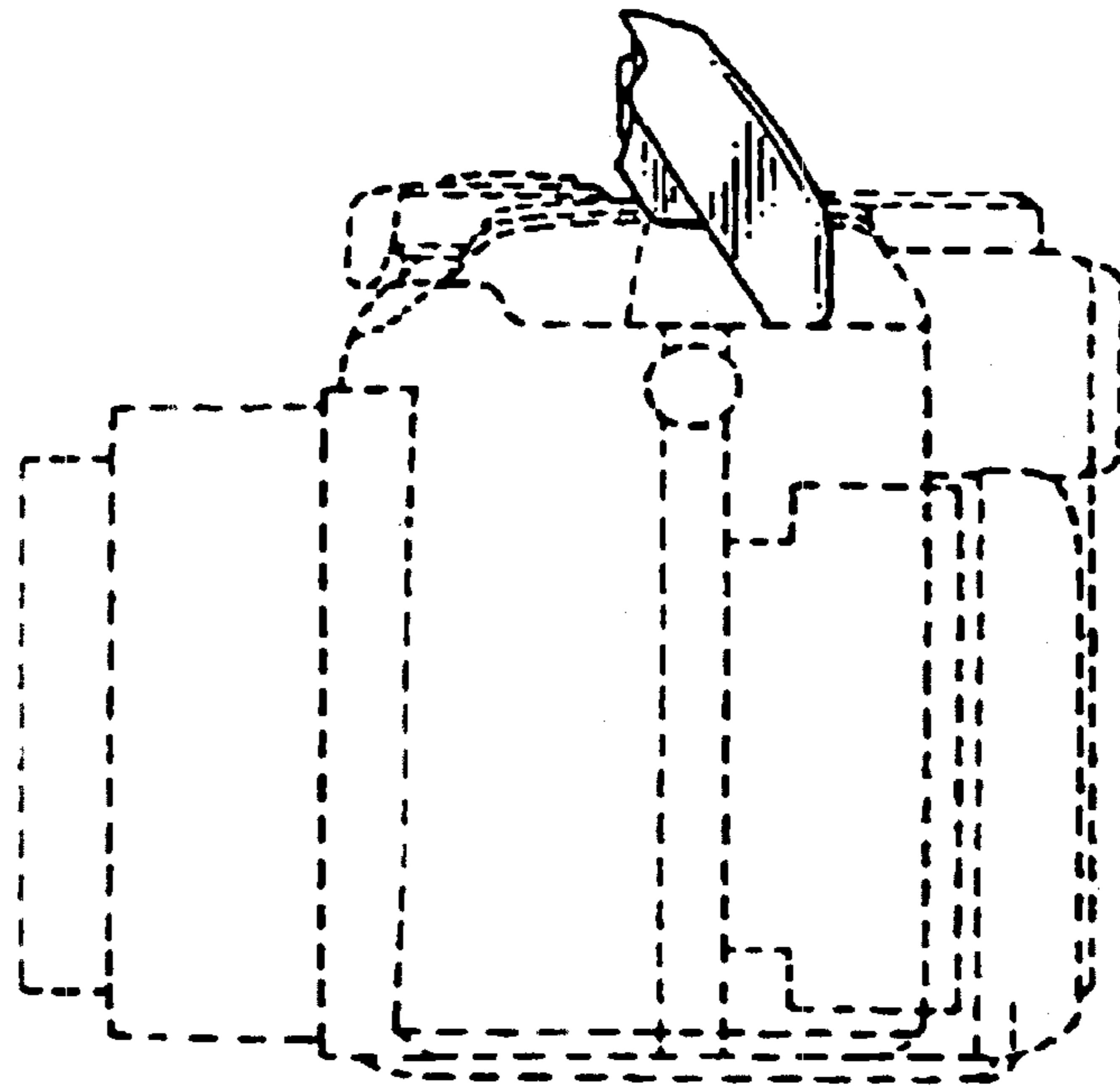


FIG. 7

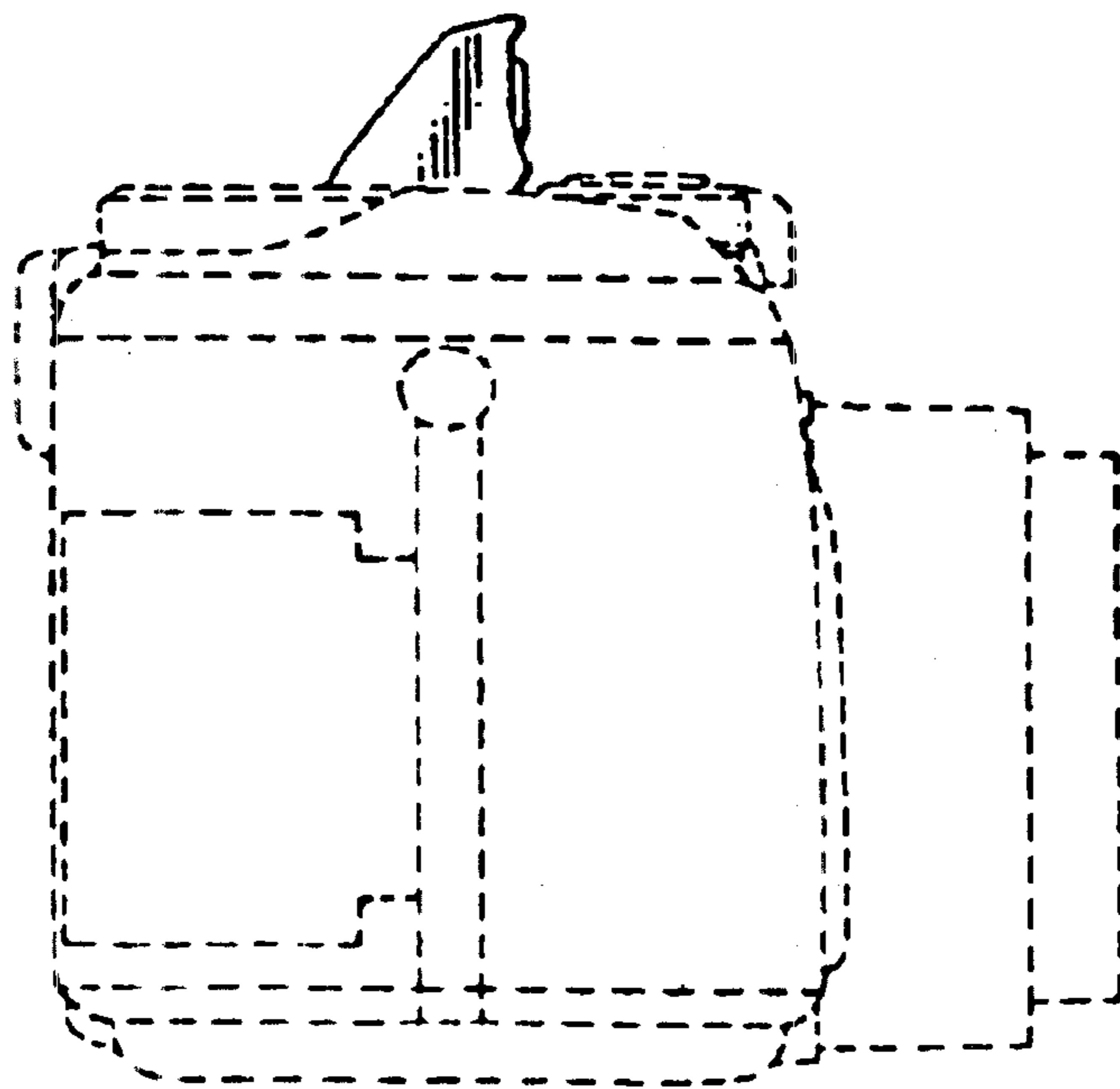


FIG. 8

UNITED STATES PATENT AND TRADEMARK OFFICE  
**CERTIFICATE OF CORRECTION**

PATENT NO. : Des. 492,337 S  
APPLICATION NO. : 29/193847  
DATED : June 29, 2004  
INVENTOR(S) : Shimobayashi

Page 1 of 6

It is certified that error appears in the above-identified patent and that said Letters Patent is hereby corrected as shown below:

The title page showing the illustrative figure should be deleted to be replaced with the attached title page.

The drawing sheets, consisting of Figs. 1-8, should be deleted to be replaced with the drawing sheets, consisting of Figs. 1-8, as shown on the attached page.

Signed and Sealed this

Twenty-eighth Day of October, 2008

A handwritten signature in black ink that reads "Jon W. Dudas". The signature is written in a cursive style with a large initial "J" and "D".

JON W. DUDAS

*Director of the United States Patent and Trademark Office*

(12) **United States Design Patent**  
**Shimobayashi**

(10) Patent No.: **US D492,337 S**  
(45) Date of Patent: **\*\* Jun. 29, 2004**

(54) **DIGITAL CAMERA**

(75) Inventor: **Koji Shimobayashi, Hachioji (JP)**

(73) Assignee: **Olympus Corporation, Tokyo (JP)**

(\*\*) Term: **14 Years**

(21) Appl. No.: **29/193,847**

(22) Filed: **Nov. 13, 2003**

**Related U.S. Application Data**

(62) Division of application No. 29/169,698, filed on Oct. 24, 2002, now Pat. No. Des. 486,508.

(30) **Foreign Application Priority Data**

Sep. 24, 2002 (JP) ..... 2002-26023  
 Sep. 24, 2002 (JP) ..... 2002-26024

(51) **LOC (7) Cl.** ..... **16-05**

(52) **U.S. Cl.** ..... **D16/219; D16/202; D16/209**

(58) **Field of Search** ..... **D16/200-204, D16/208, 209, 211, 212, 217, 218, 219; 396/176-178, 535-541**

(56) **References Cited**

**U.S. PATENT DOCUMENTS**

4,893,140 A \* 1/1990 Yamamoto et al. .... 396/177  
 D372,724 S 8/1996 Funato et al. .... D16/217  
 D390,860 S 2/1998 Kim ..... D16/217  
 5,721,984 A 2/1998 Kaneko et al. .... 396/177  
 D430,184 S \* 8/2000 Tanaka ..... D16/209  
 D430,187 S 8/2000 Naito ..... D16/218  
 D449,325 S \* 10/2001 Iue et al. .... D16/202

D456,430 S 4/2002 Kobayashi et al. .... D16/202  
 D462,704 S \* 9/2002 Suzuki et al. .... D16/202  
 D462,705 S 9/2002 Hamamura ..... D16/202  
 6,510,286 B1 \* 1/2003 Terada et al. .... 396/177  
 2002/0041765 A1 \* 4/2002 Onda et al. .... 396/538

**OTHER PUBLICATIONS**

Olympus Catalog of digital camera (C-700 Ultra Zoom) published Apr. 1, 2001.

Website showing a digital camera (C-700 Ultra Zoom) published Mar. 21, 2001.

\* cited by examiner

*Primary Examiner*---Adir Aronovich

(74) *Attorney, Agent, or Firm*---Hogan & Hartson LLP

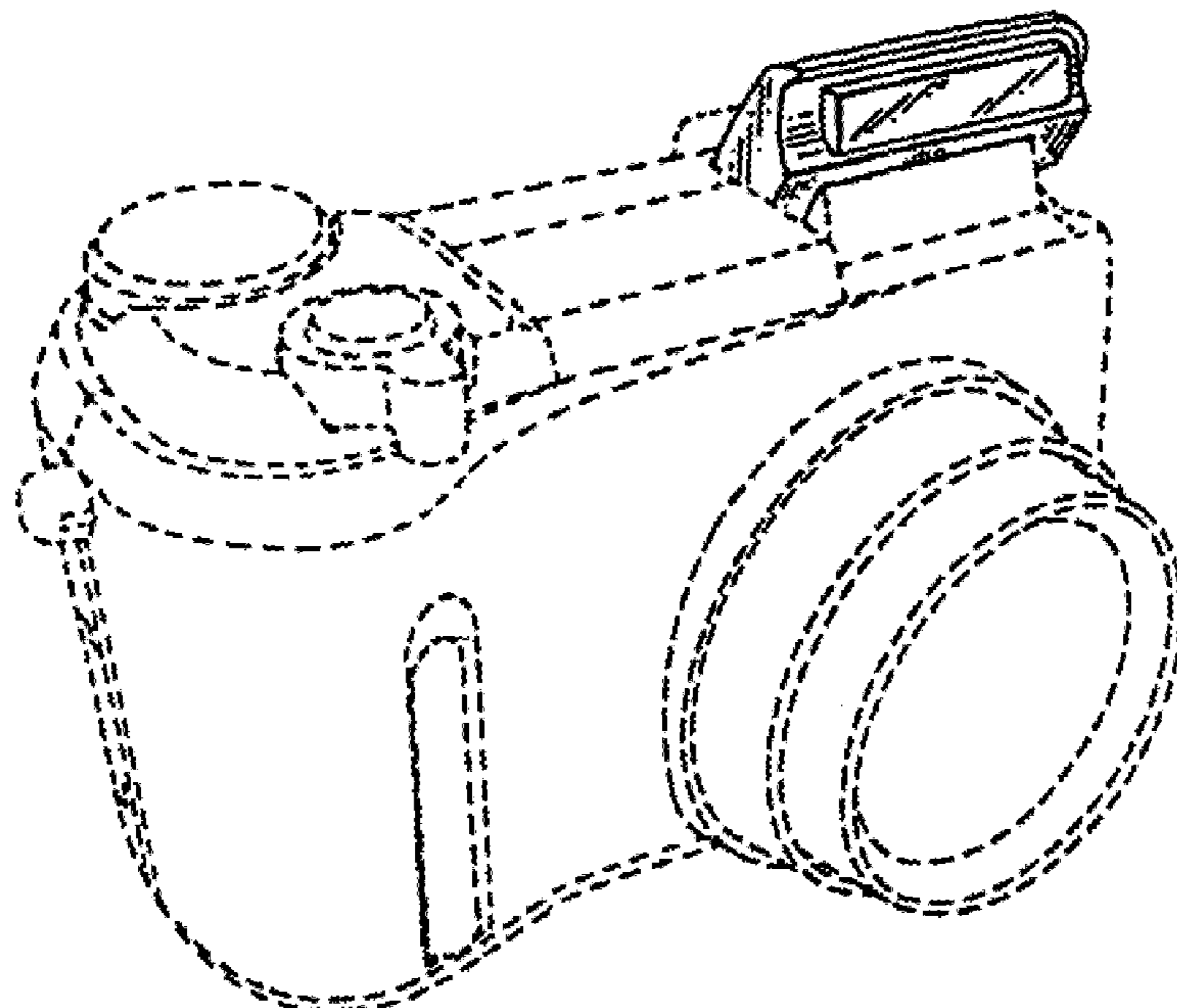
(57) **CLAIM**

The ornamental design for a digital camera, as shown and described.

**DESCRIPTION**

FIG. 1 is a front, top and left side perspective view of a fourth embodiment of a digital camera;  
 FIG. 2 is a front, top and left side perspective view thereof with an electronic flashing unit in a closed state;  
 FIG. 3 is a front elevational view of FIG. 1;  
 FIG. 4 is a rear elevational view thereof;  
 FIG. 5 is a top plan view thereof;  
 FIG. 6 is a bottom plan view thereof;  
 FIG. 7 is a right side elevational view thereof; and,  
 FIG. 8 is a left side elevational view thereof.  
 The broken line portions are shown for illustrative purposes only and form no part of the claimed design.

**1 Claim, 4 Drawing Sheets**



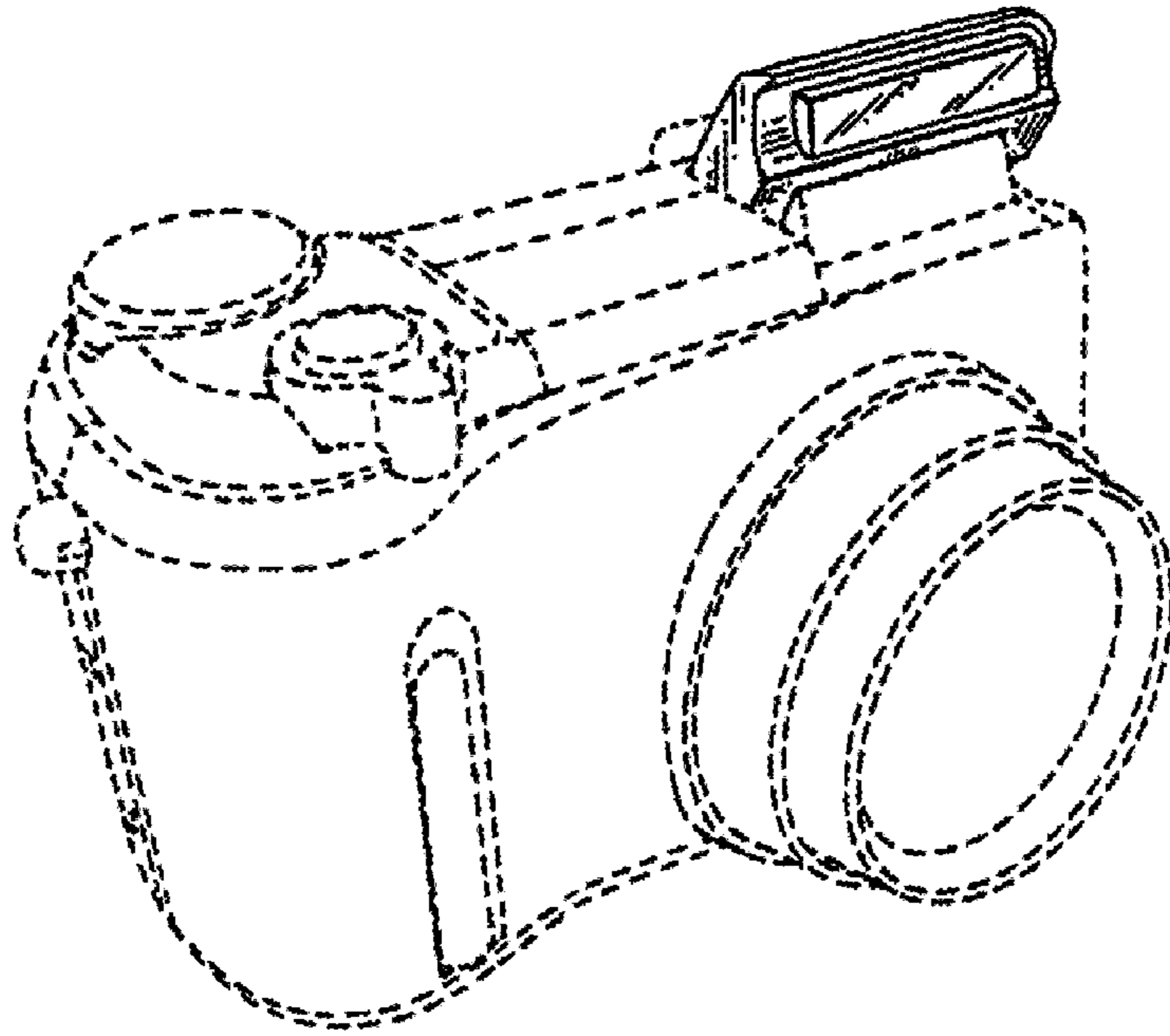


FIG. 1

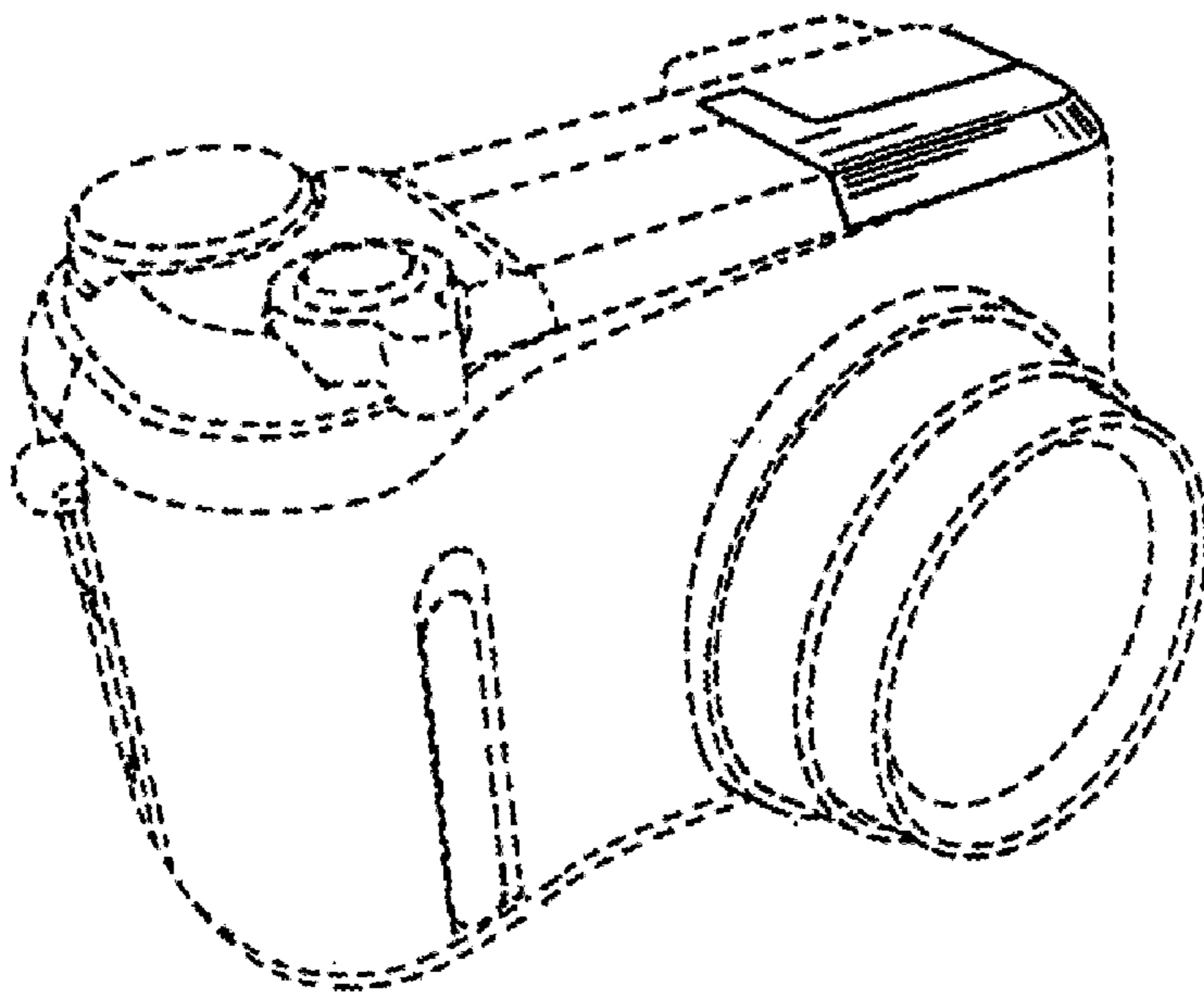


FIG. 2



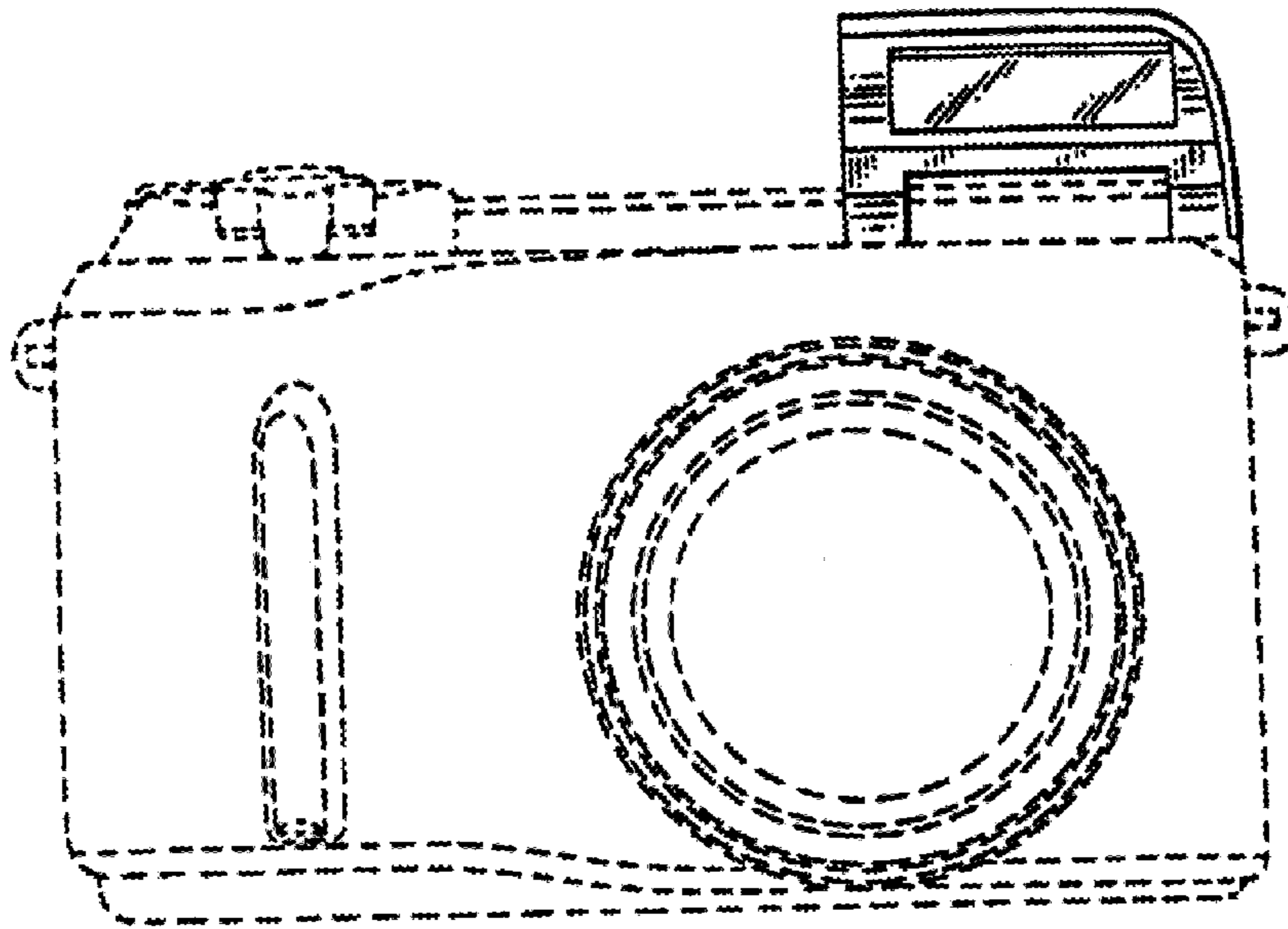


FIG. 3

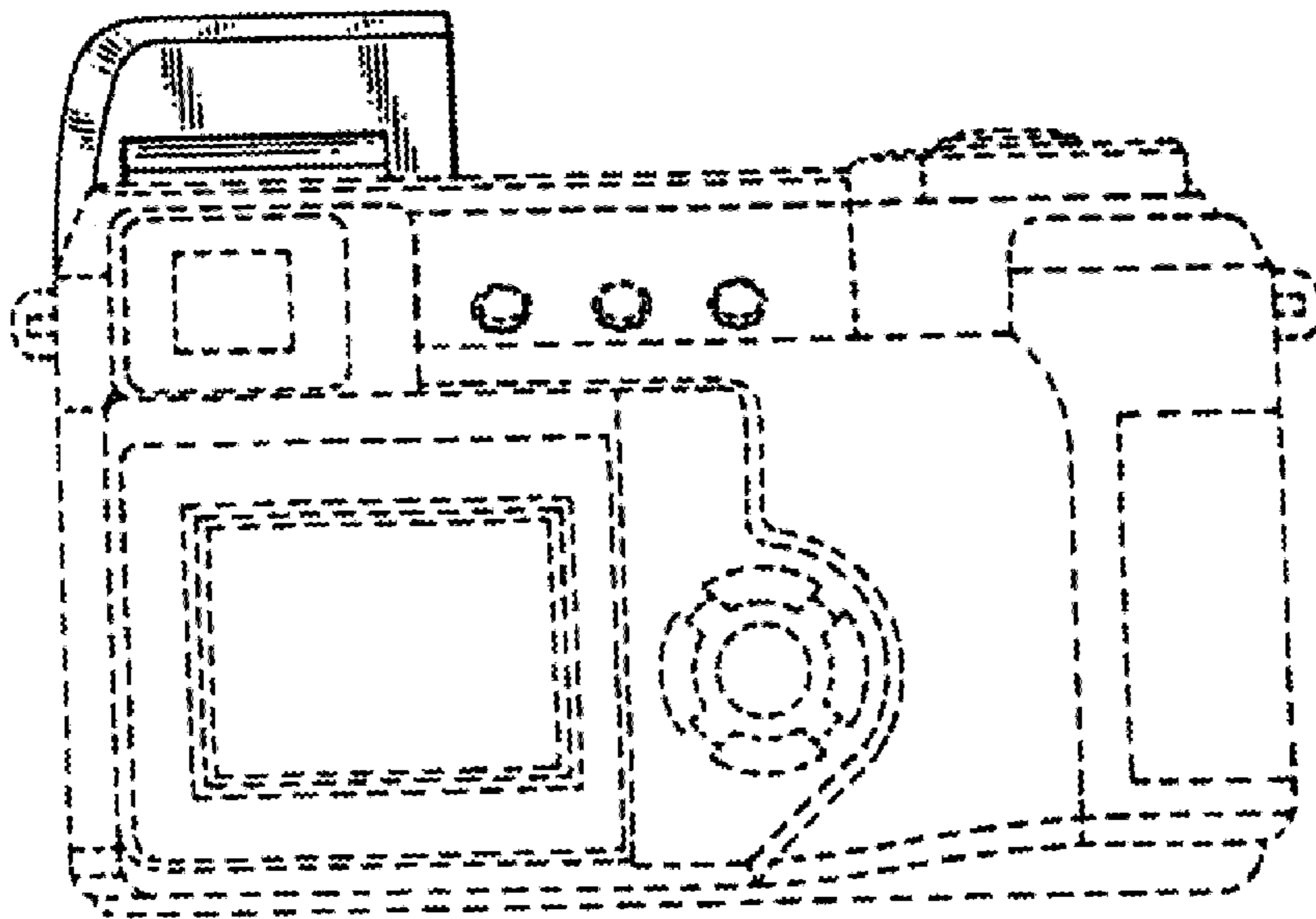


FIG. 4

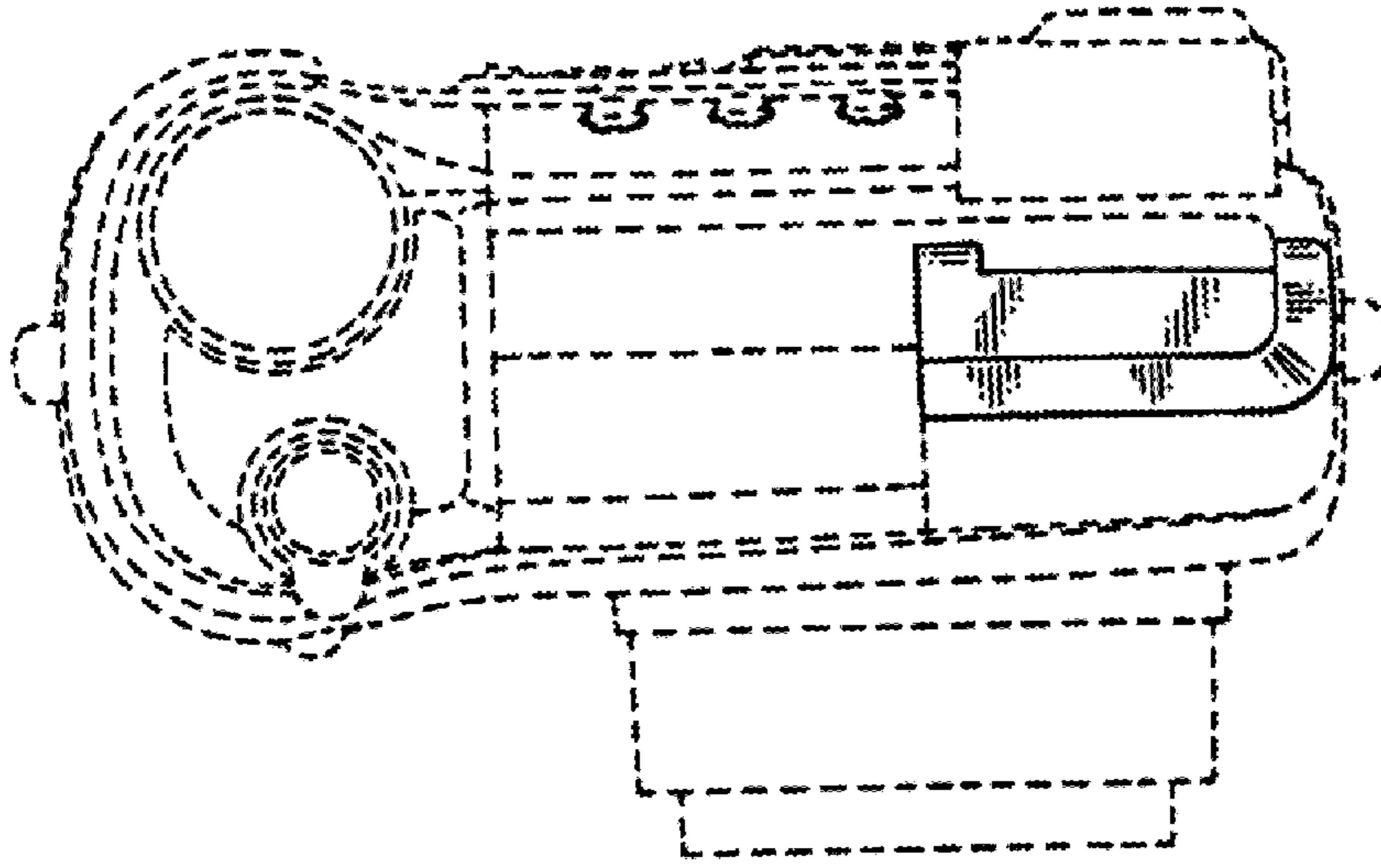


FIG. 5

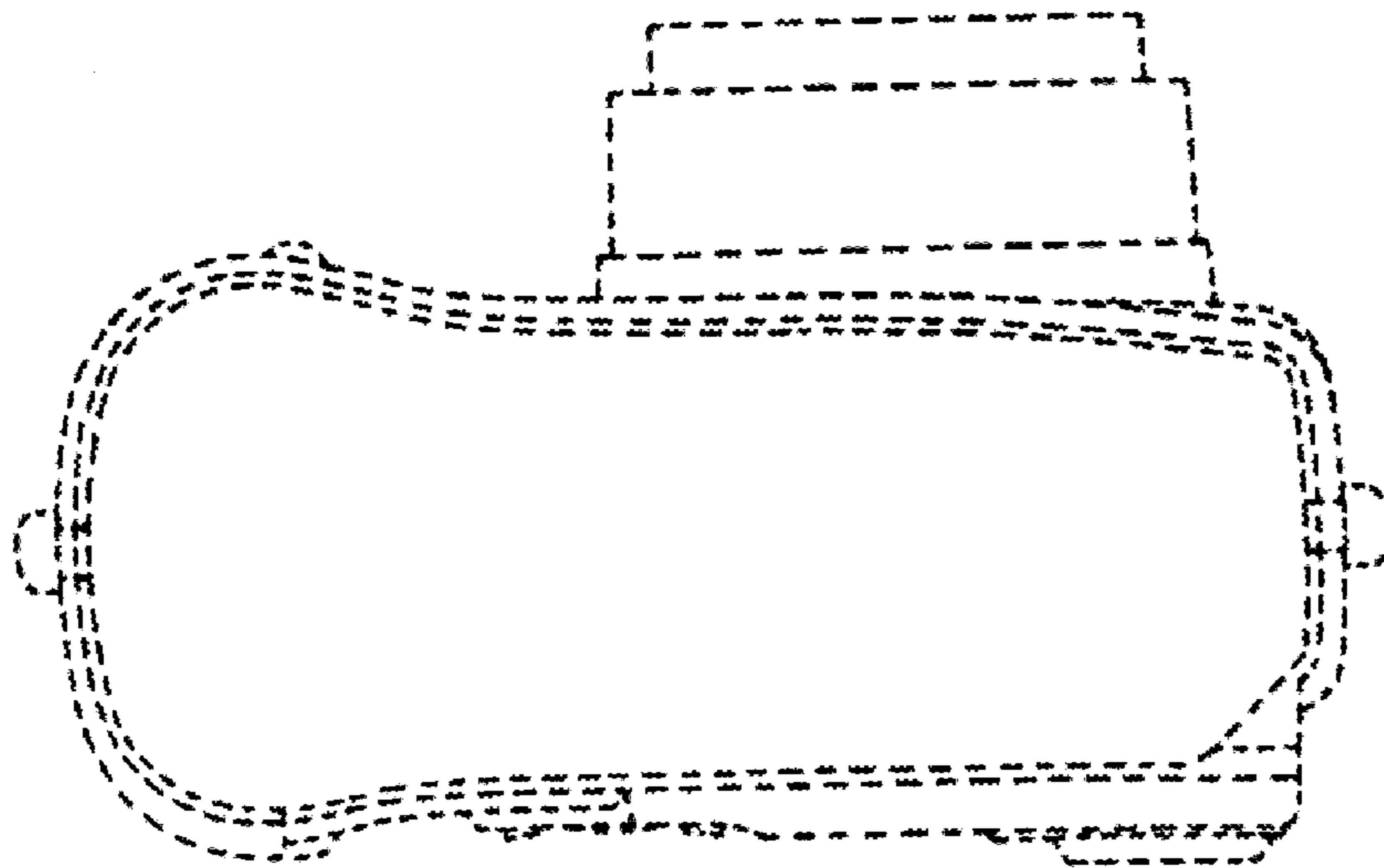


FIG. 6

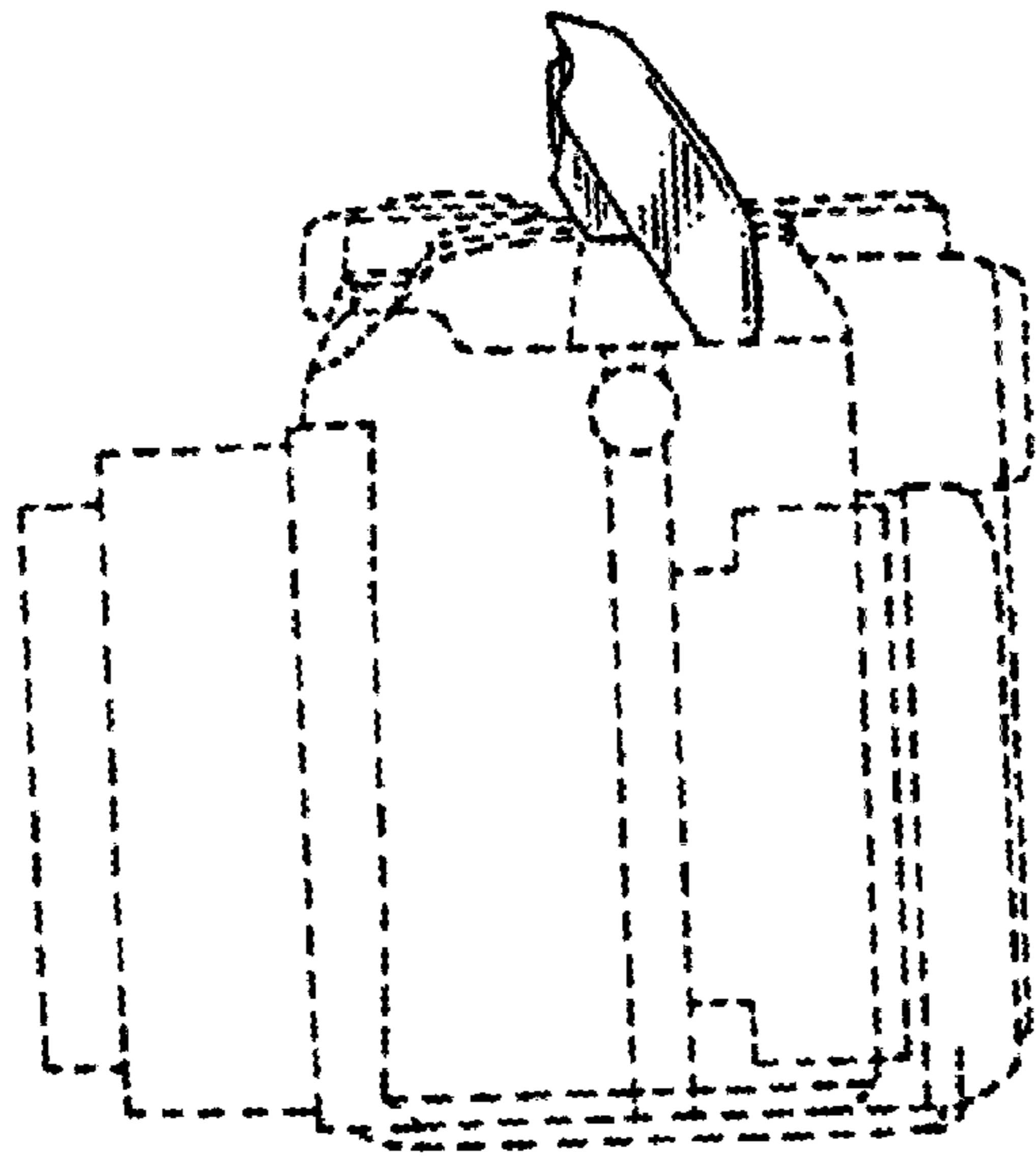


FIG. 7

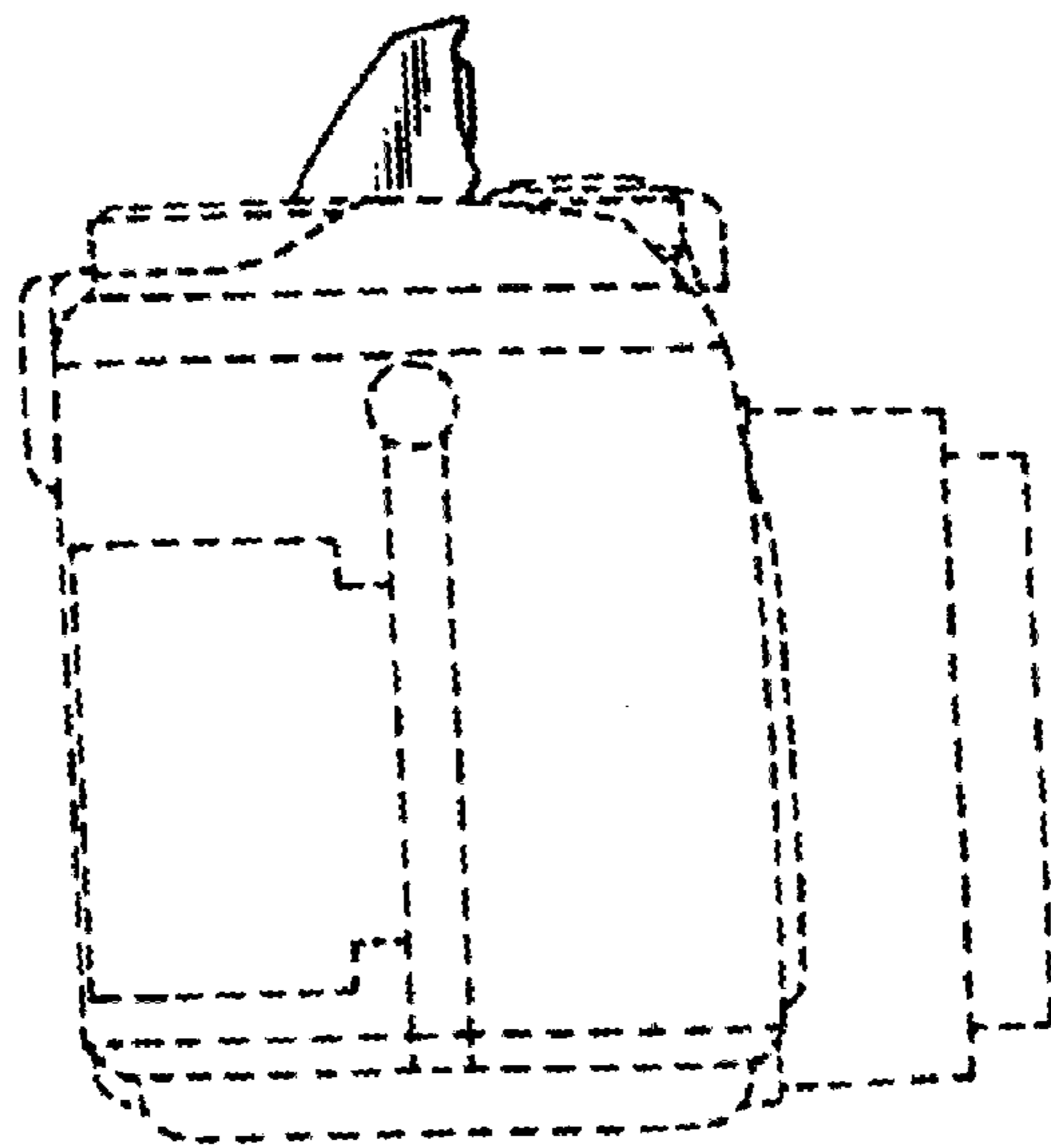


FIG. 8