



US00D492335S1

(12) **United States Design Patent**
Watanabe

(10) **Patent No.:** **US D492,335 S**
(45) **Date of Patent:** **** Jun. 29, 2004**

(54) **BINOCULARS**

(75) Inventor: **Akira Watanabe**, Saitama (JP)

(73) Assignee: **PENTAX Corporation**, Tokyo (JP)

(**) Term: **14 Years**

(21) Appl. No.: **29/187,048**

(22) Filed: **Jul. 28, 2003**

(30) **Foreign Application Priority Data**

Jan. 29, 2003	(JP)	2003-001939
Jan. 29, 2003	(JP)	2003-001940
Jan. 29, 2003	(JP)	2003-001932

(51) **LOC (7) Cl.** **16-06**

(52) **U.S. Cl.** **D16/133**

(58) **Field of Search** D16/130, 132,
D16/133; 359/408, 409, 410, 411, 412,
413, 414, 415, 416, 417, 418, 419

(56) **References Cited**

U.S. PATENT DOCUMENTS

D195,146 S	*	4/1963	Jensen	D16/133
D223,298 S	*	4/1972	Senda et al.	D16/133
D299,724 S	*	2/1989	Aoki	D16/133
D359,972 S	*	7/1995	Takahashi	D15/133
D412,177 S	*	7/1999	Fujii	D16/133
D486,507 S	*	2/2004	Fuji	D16/133

* cited by examiner

Primary Examiner—Paula A. Groove

(74) *Attorney, Agent, or Firm*—Sughrue Mion, PLLC

(57) **CLAIM**

The ornamental design for a binoculars, as shown.

DESCRIPTION

FIG. 1 is a perspective view the top, front and right side of a first embodiment of binoculars showing my new design; FIG. 2 is a rear elevational view thereof; FIG. 3 is a top plan view thereof; FIG. 4 is a left side elevational view thereof; FIG. 5 is a right side elevational view thereof; FIG. 6 is a bottom plan view thereof; FIG. 7 is a front elevational view thereof; FIG. 8 is a perspective view of the top, front and right side of a second embodiment; FIG. 9 is a rear elevational view thereof; FIG. 10 is a top plan view thereof; FIG. 11 is a left side elevational view thereof; FIG. 12 is a right side elevational view thereof; FIG. 13 is a bottom plan view thereof; FIG. 14 is a front elevational view thereof; FIG. 15 is a perspective view of the top, front and right side of a third embodiment; FIG. 16 is a rear elevational view thereof; FIG. 17 is a top plan view thereof; FIG. 18 is a left side elevational view thereof; FIG. 19 is a right side elevational view thereof; FIG. 20 is a bottom plan view thereof; and, FIG. 21 is a front elevational view thereof.

1 Claim, 12 Drawing Sheets

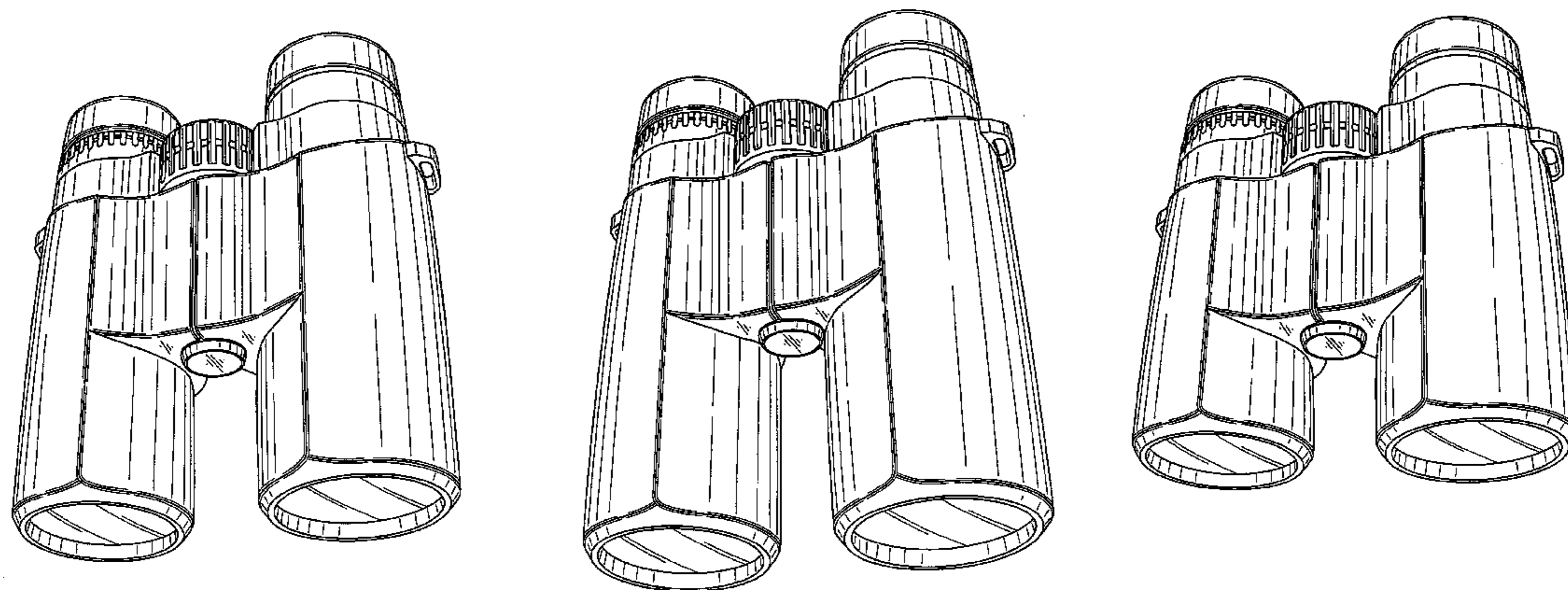


FIG. 1

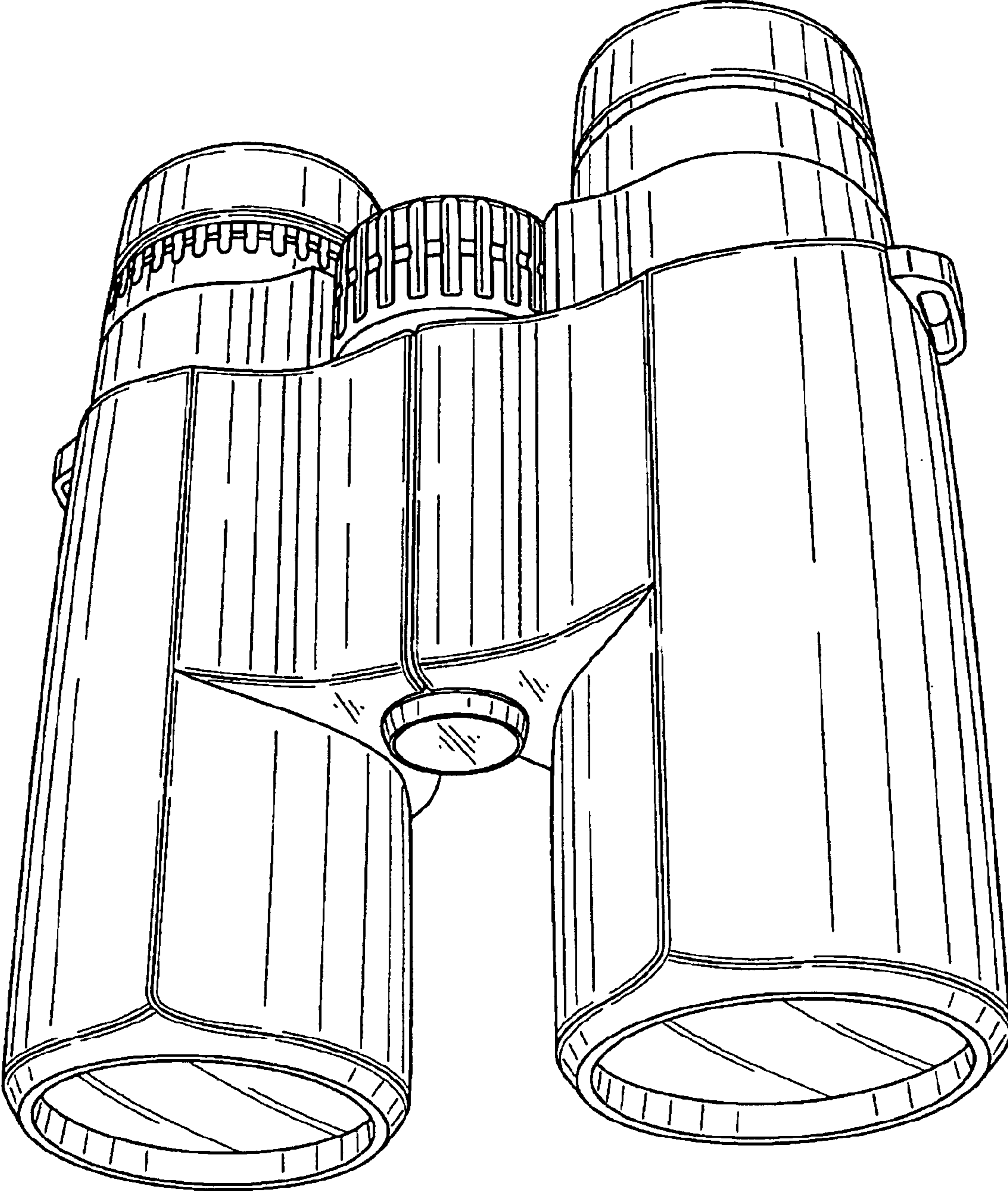


FIG. 2

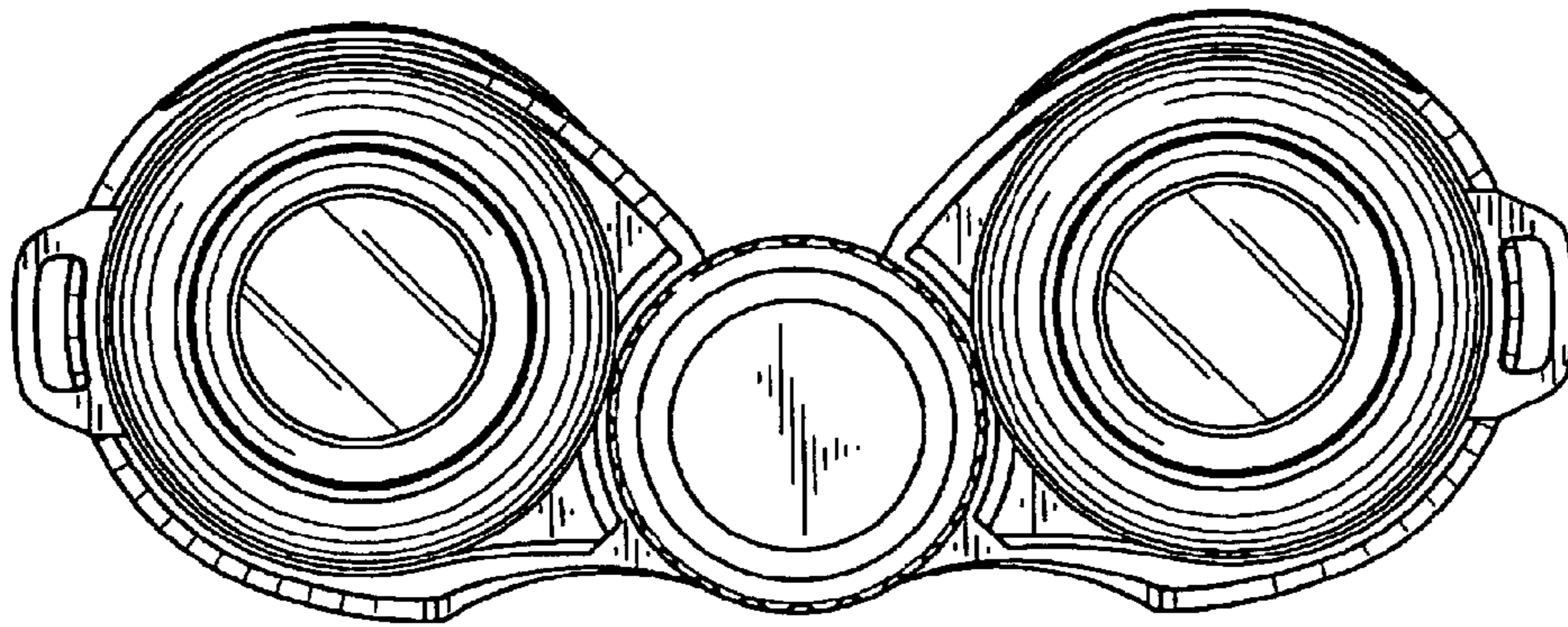


FIG. 3

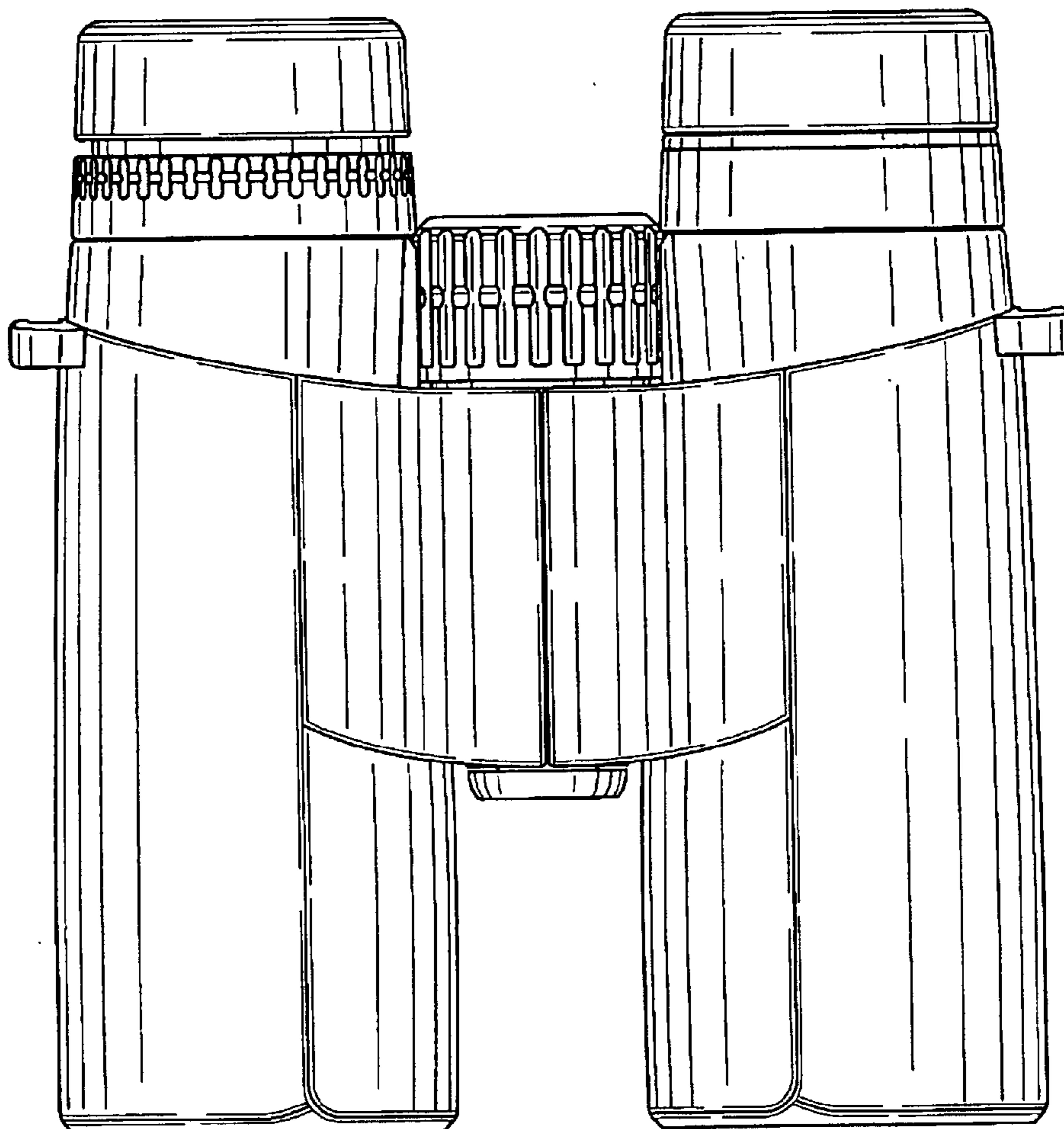


FIG. 4

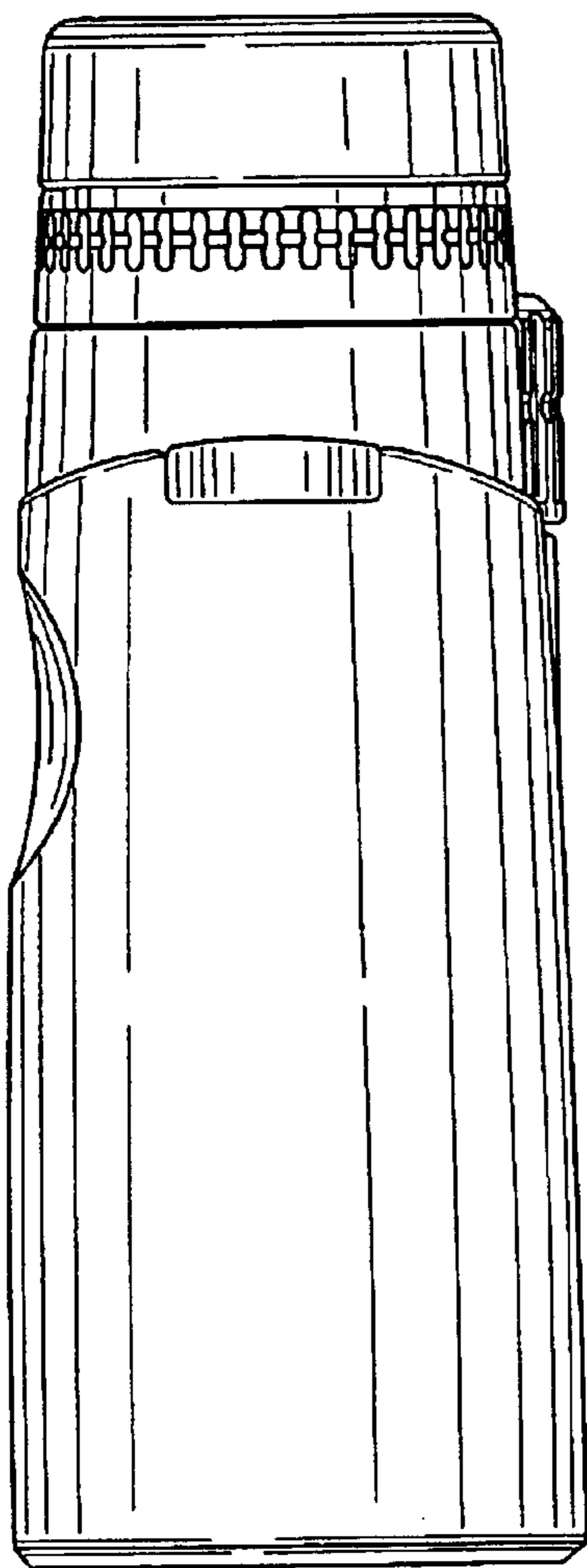


FIG. 5

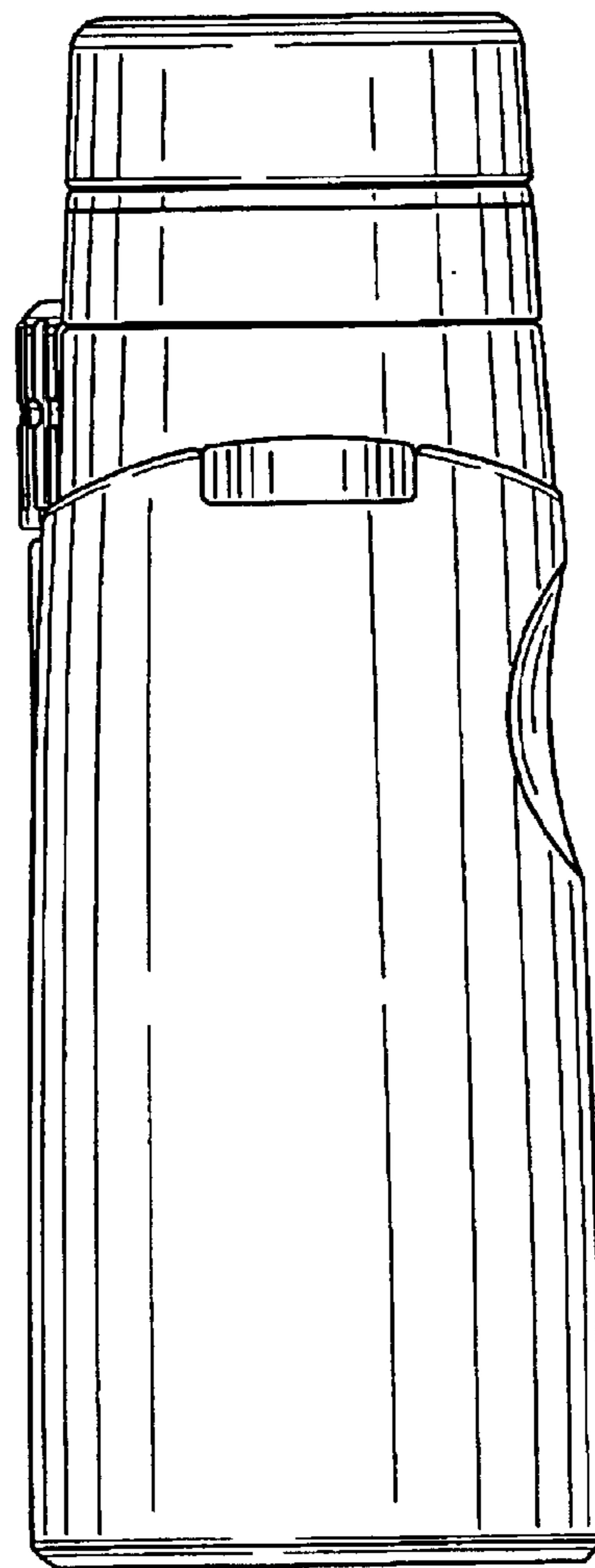


FIG. 6

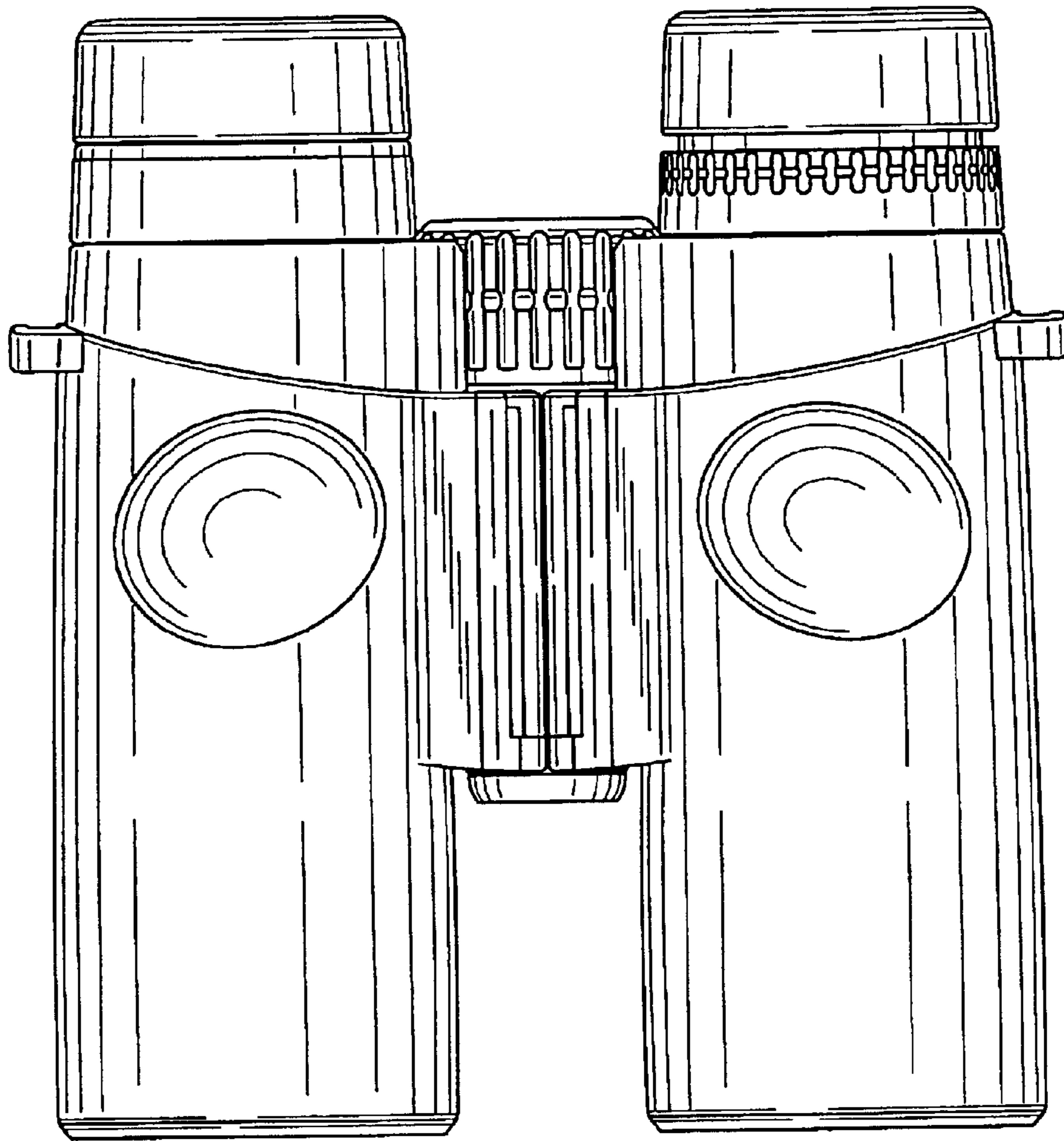


FIG. 7

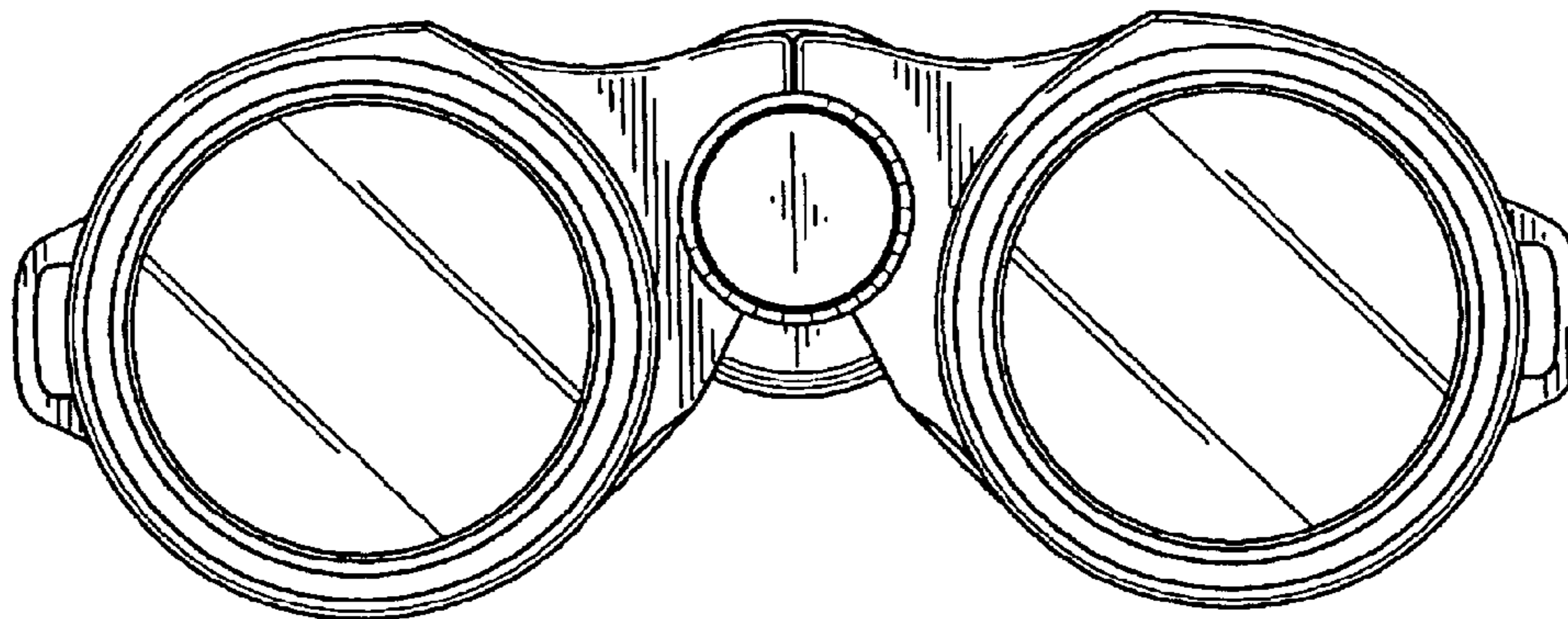


FIG. 8

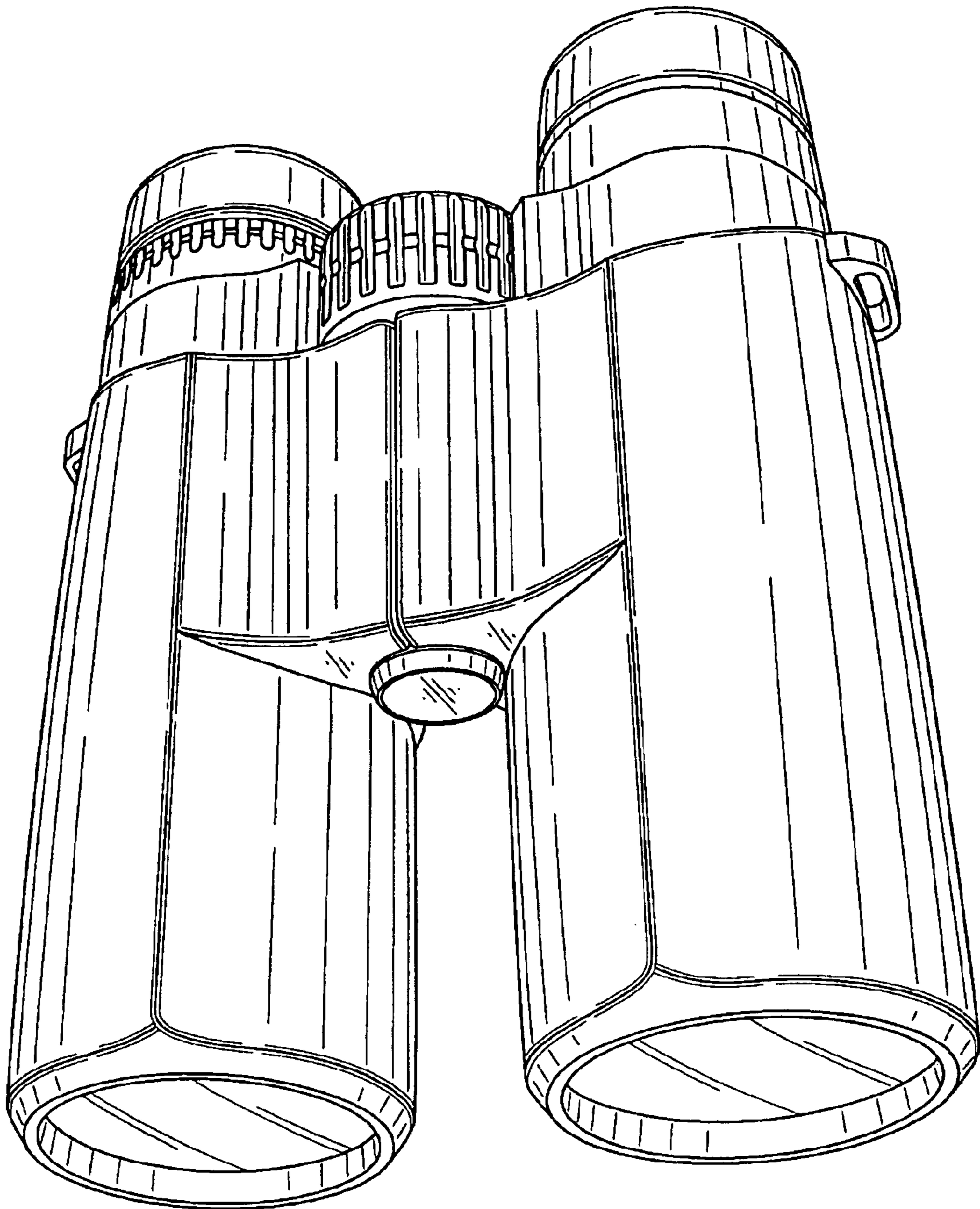


FIG. 9

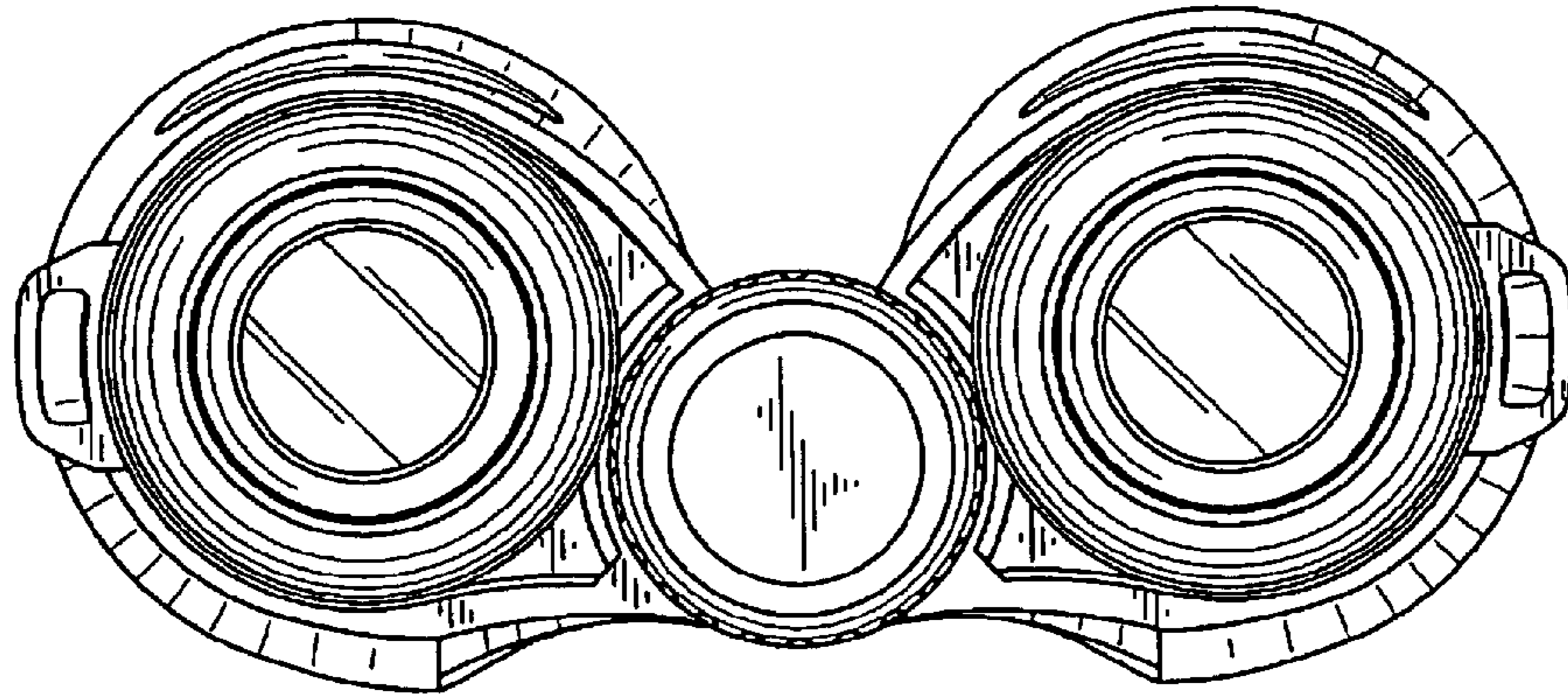


FIG. 10

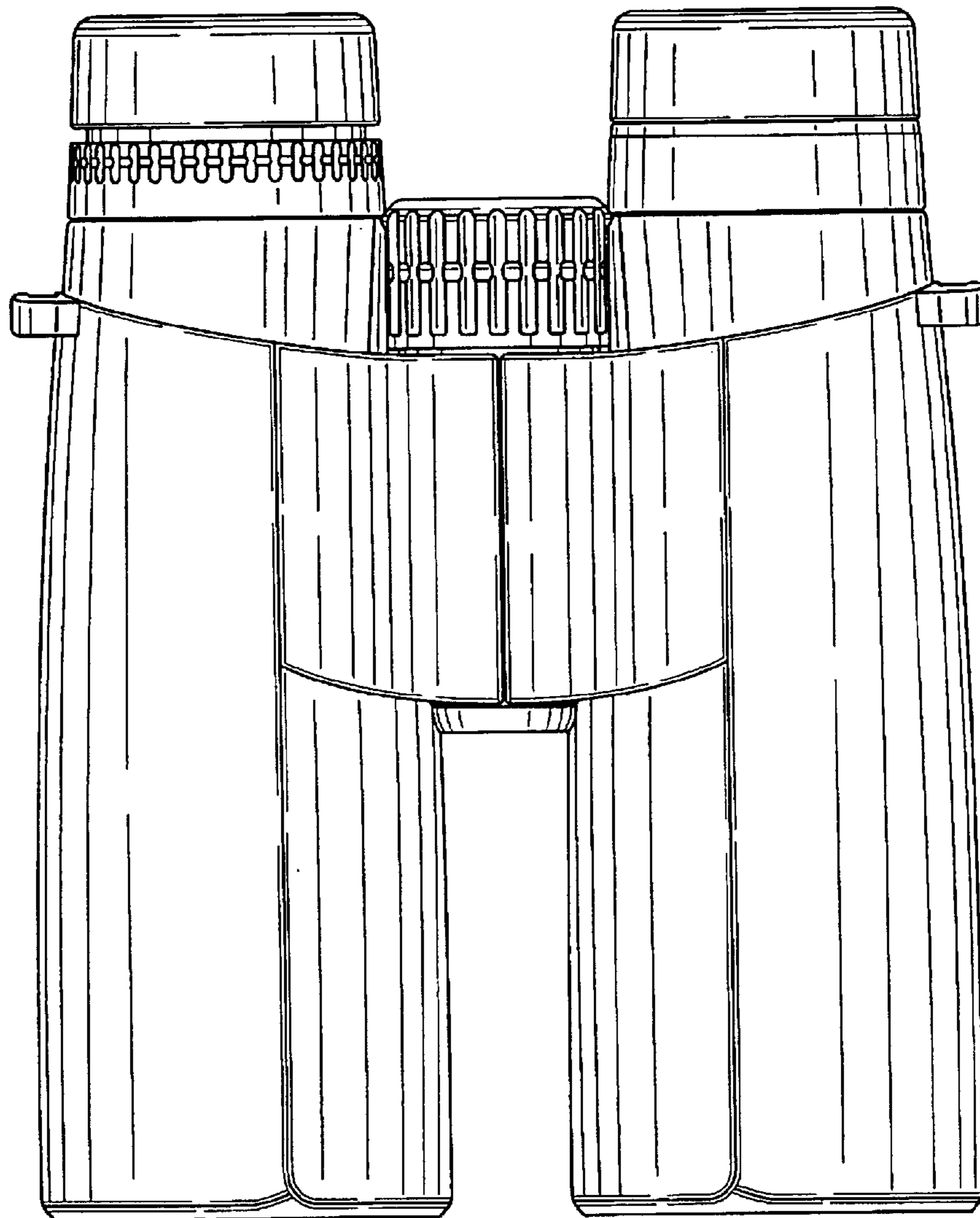


FIG. 11



FIG. 12

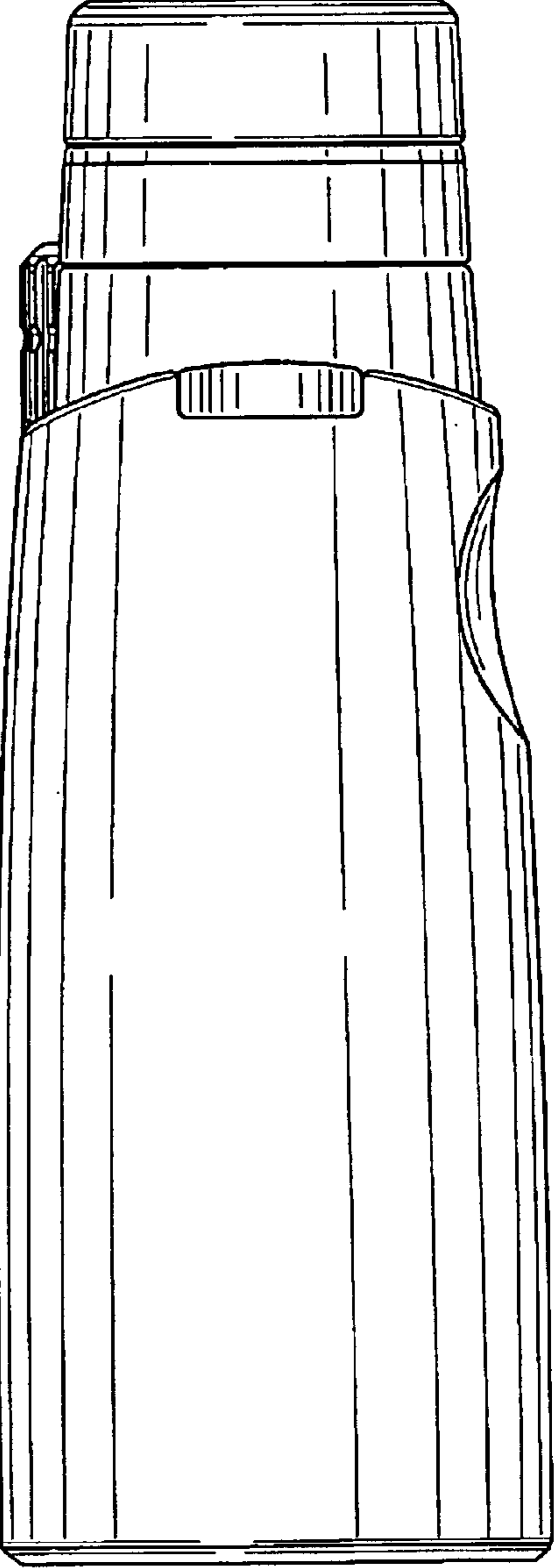


FIG. 13

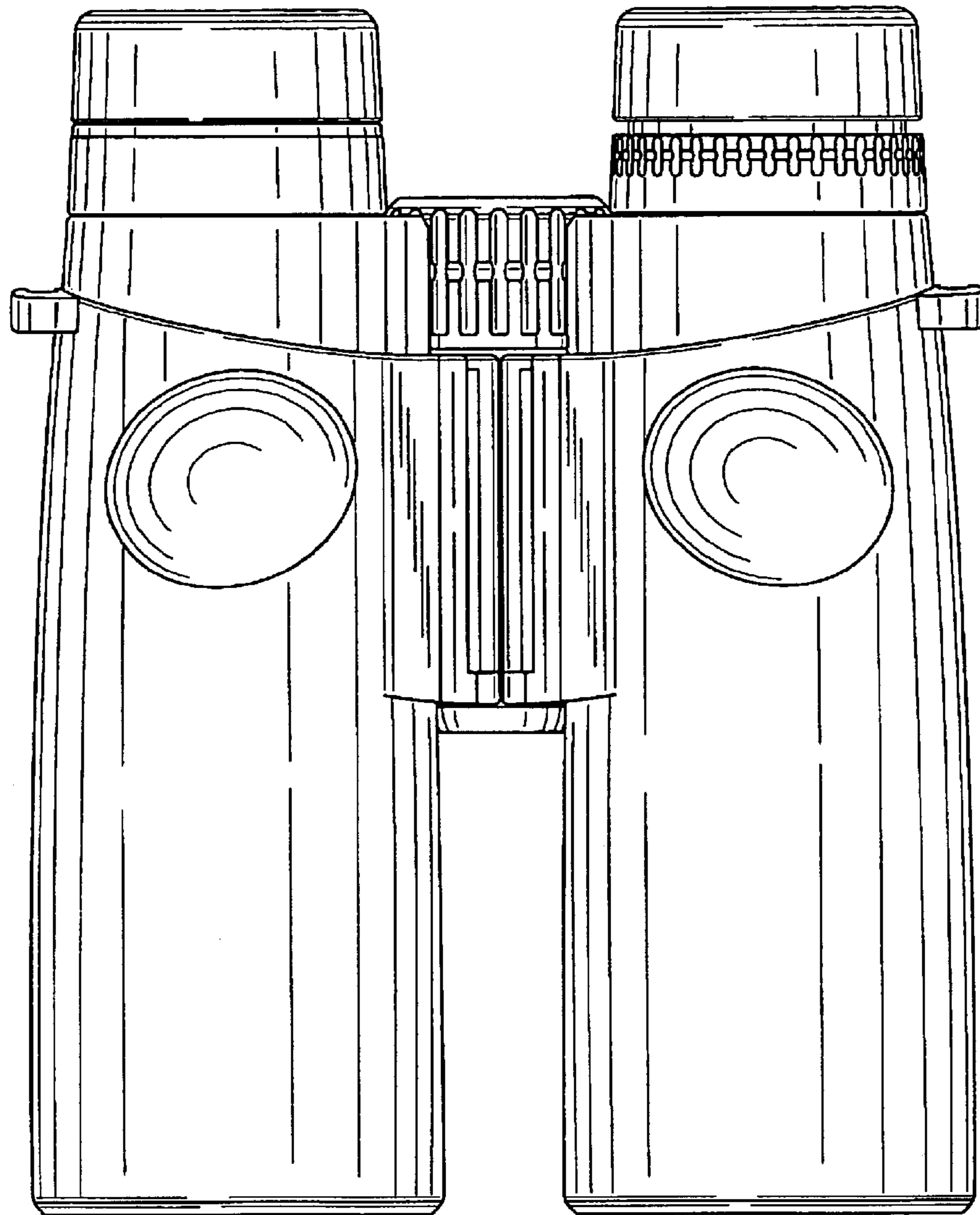


FIG. 14

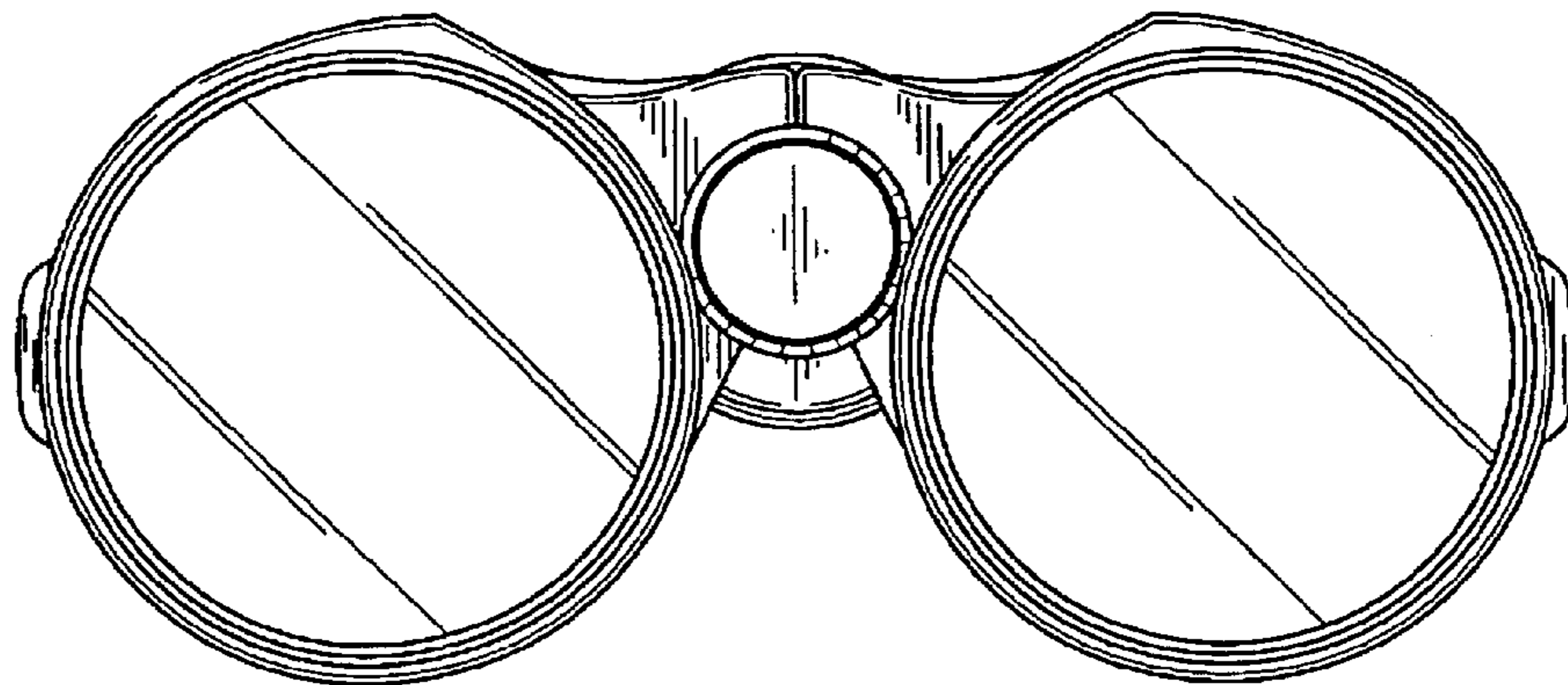


FIG. 15

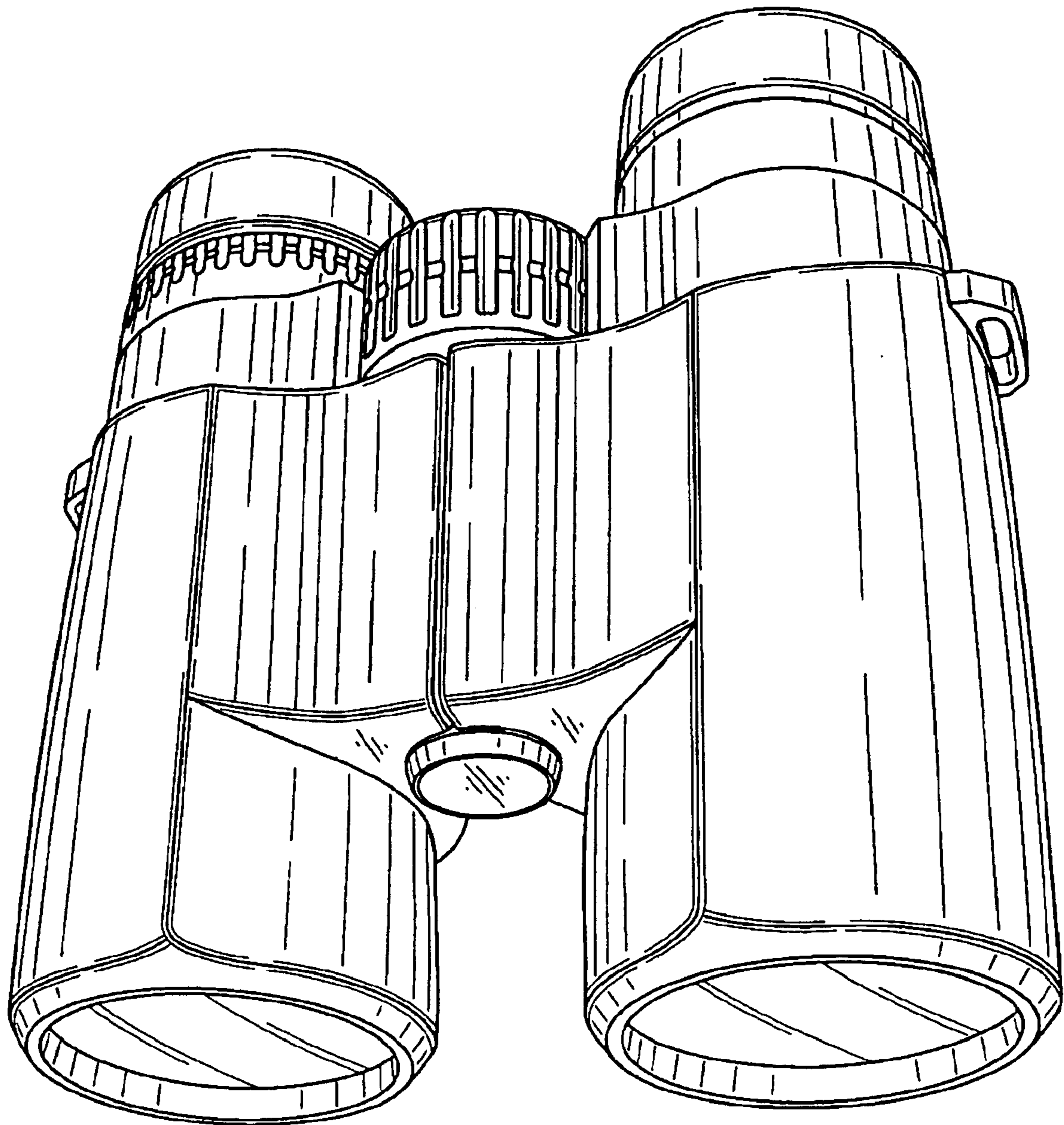


FIG. 16

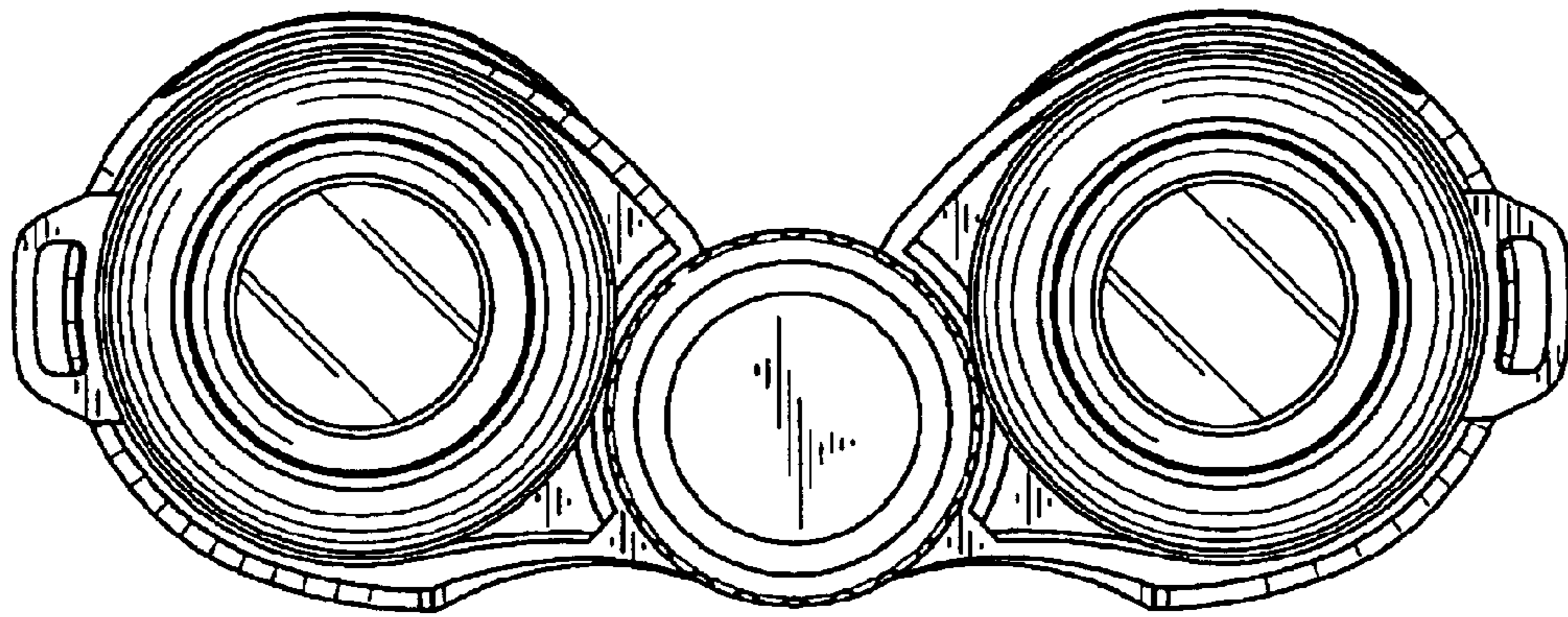


FIG. 17

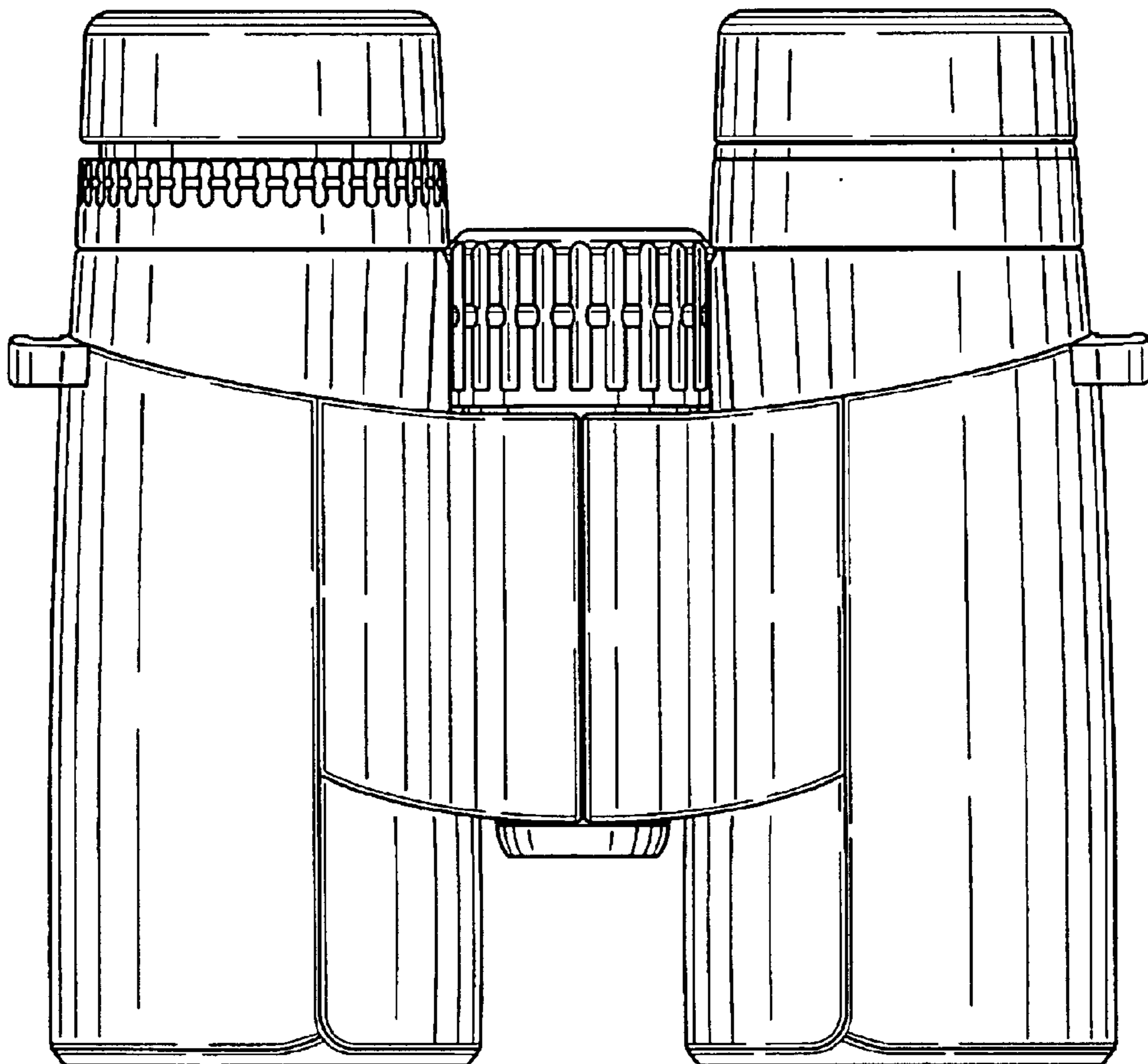


FIG. 18

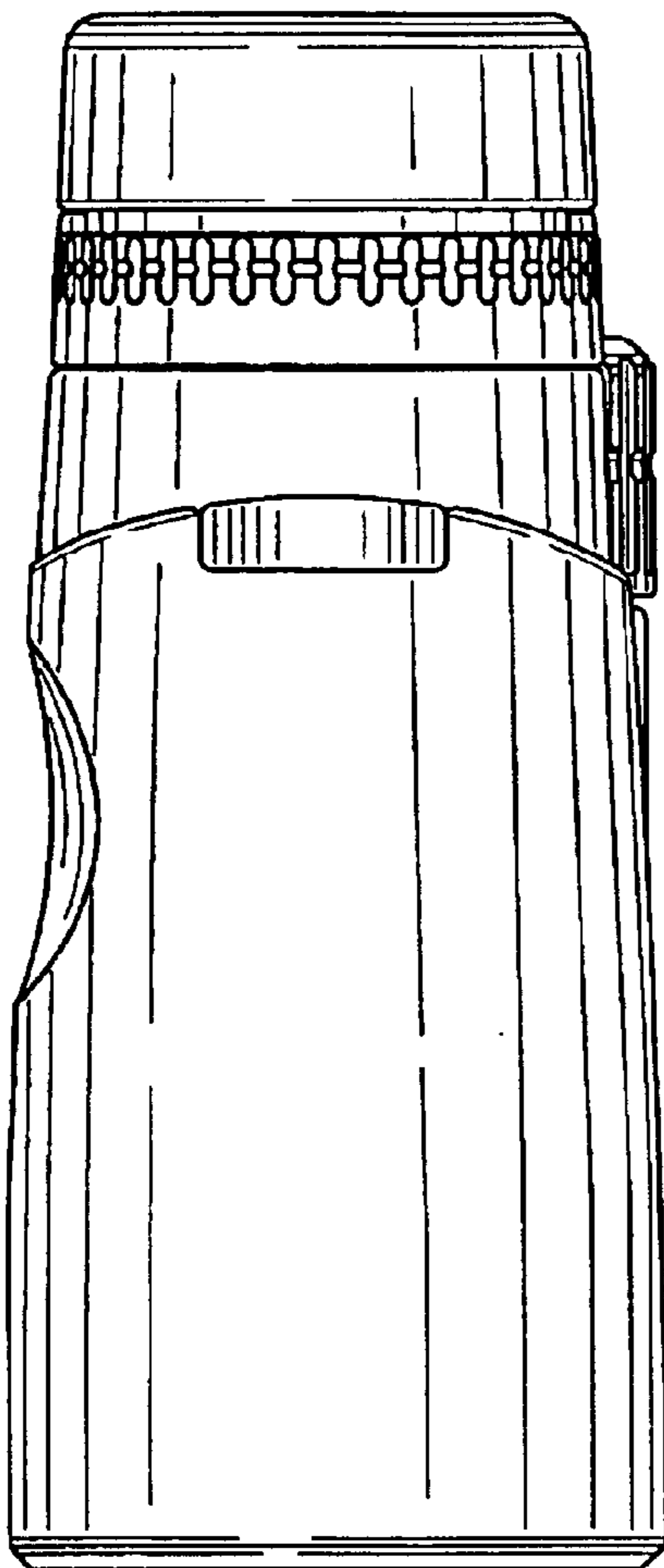


FIG. 19

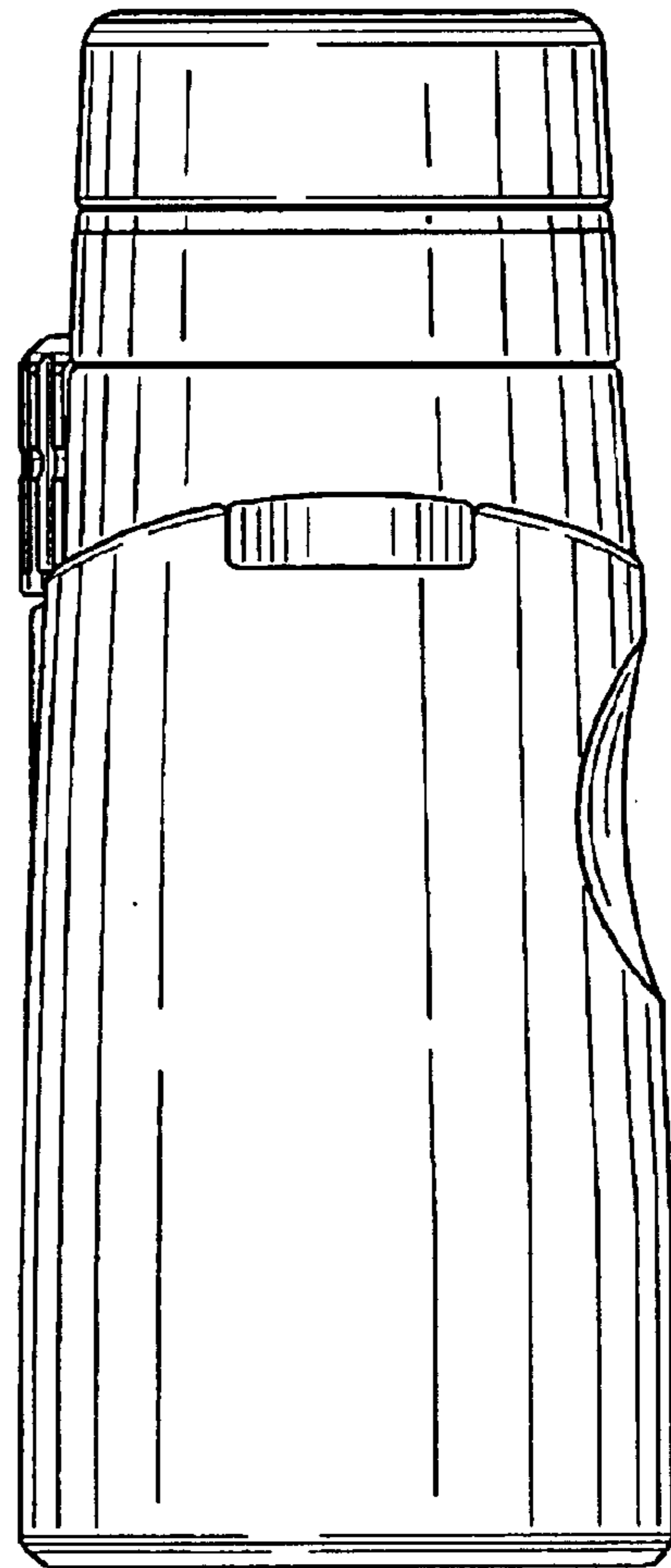


FIG. 20

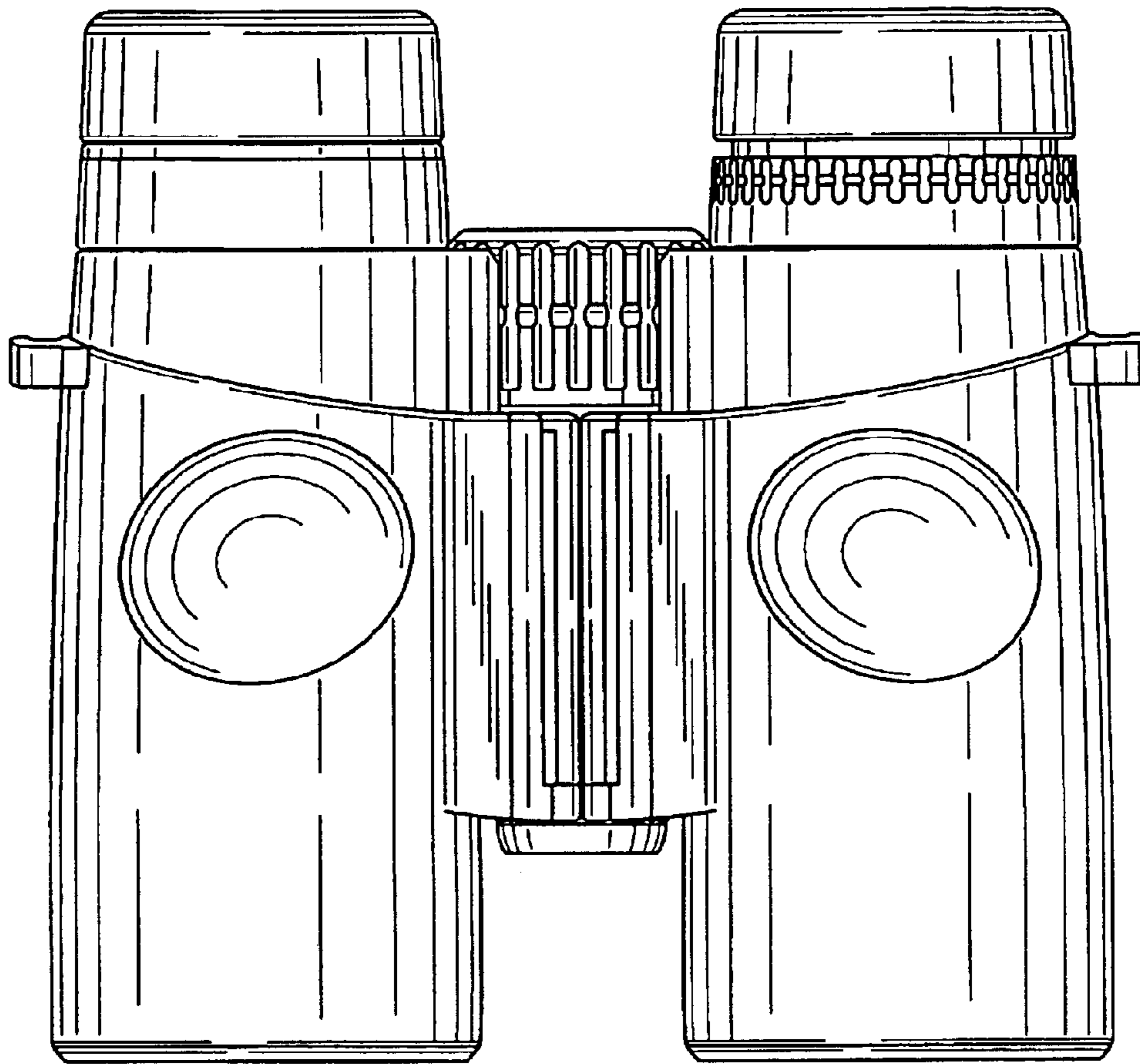


FIG. 21

