

US00D492333S1

(12) **United States Design Patent**  
**Guzman et al.**

(10) **Patent No.:** **US D492,333 S**  
(45) **Date of Patent:** **\*\* Jun. 29, 2004**

(54) **GARAGE DOOR OPENER**

D477,619 S \* 7/2003 Coullahan et al. .... D15/148

(75) Inventors: **Gerardo Guzman**, Chicago, IL (US);  
**Gilbert Cavada**, Chicago, IL (US);  
**Michael F. DeRossi**, Lindenhurst, IL  
(US); **Jimmy-Quan A. Doan**, Chicago,  
IL (US)

\* cited by examiner

*Primary Examiner*—Antoine D. Davis  
(74) *Attorney, Agent, or Firm*—Fitch, Even, Tabin &  
Flannery

(73) Assignee: **The Chamberlain Group, Inc.**,  
Elmhurst, IL (US)

(57) **CLAIM**

The ornamental design for a garage door opener, as shown  
and described.

(\*\*) Term: **14 Years**

**DESCRIPTION**

(21) Appl. No.: **29/179,967**

FIG. 1 is a perspective view of a garage door opener  
according to our new design with an open cover;

(22) Filed: **Apr. 17, 2003**

FIG. 2 is a rear elevational view of the garage door opener  
of FIG. 1 with an open cover;

(51) **LOC (7) Cl.** ..... **15-09**

(52) **U.S. Cl.** ..... **D15/148**

FIG. 3 is a top elevational view of the garage door opener  
of FIG. 1;

(58) **Field of Search** ..... D10/104, 106;  
D15/148; 49/197–206; 160/188–201

FIG. 4 is a bottom elevational view of the garage door  
opener of FIG. 1; and,

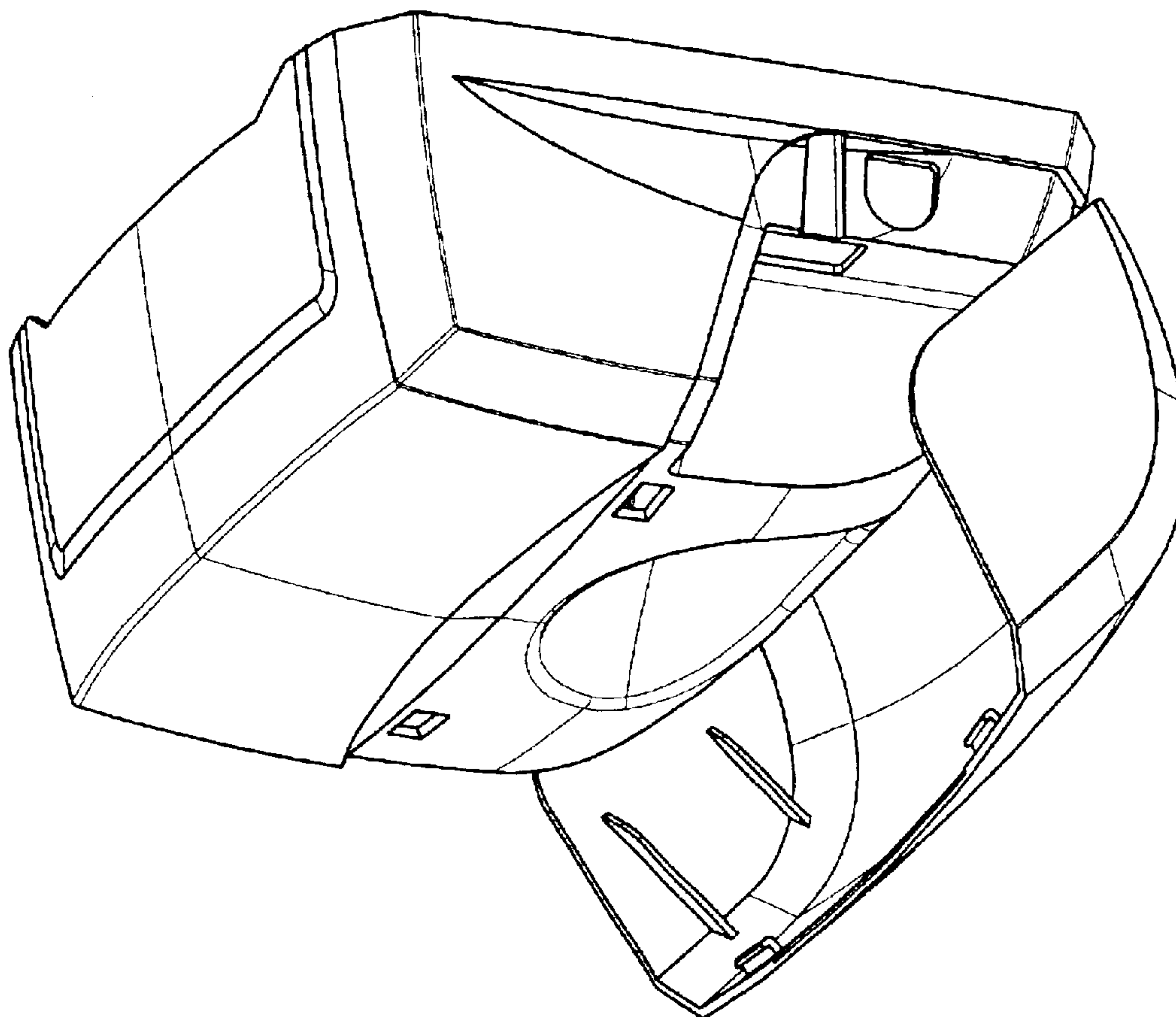
(56) **References Cited**

FIG. 5 is a right-hand side elevational view of the garage  
door opener of FIG. 1.

**U.S. PATENT DOCUMENTS**

D404,746 S \* 1/1999 Hormann ..... D15/148

**1 Claim, 5 Drawing Sheets**



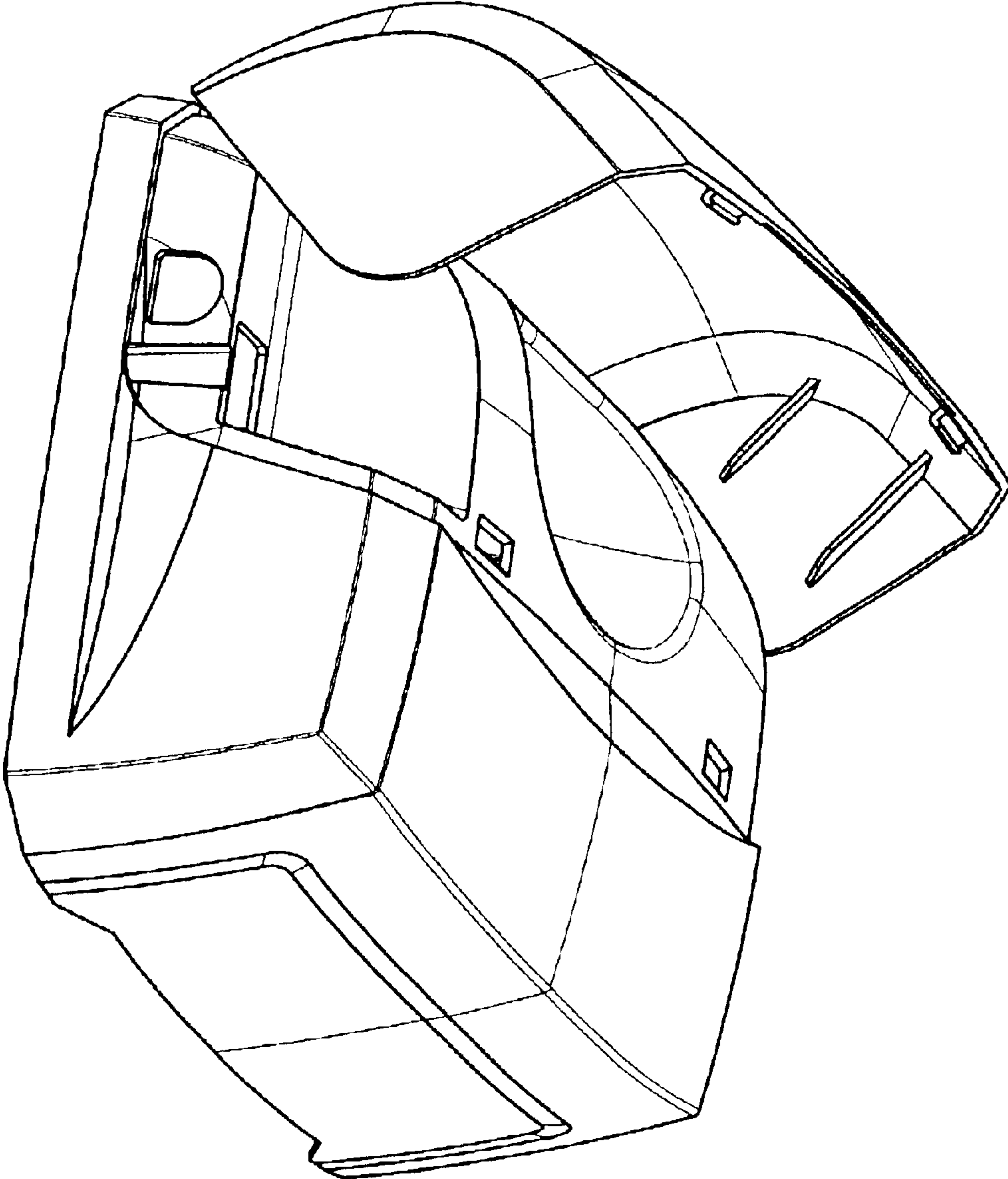


FIG. 1

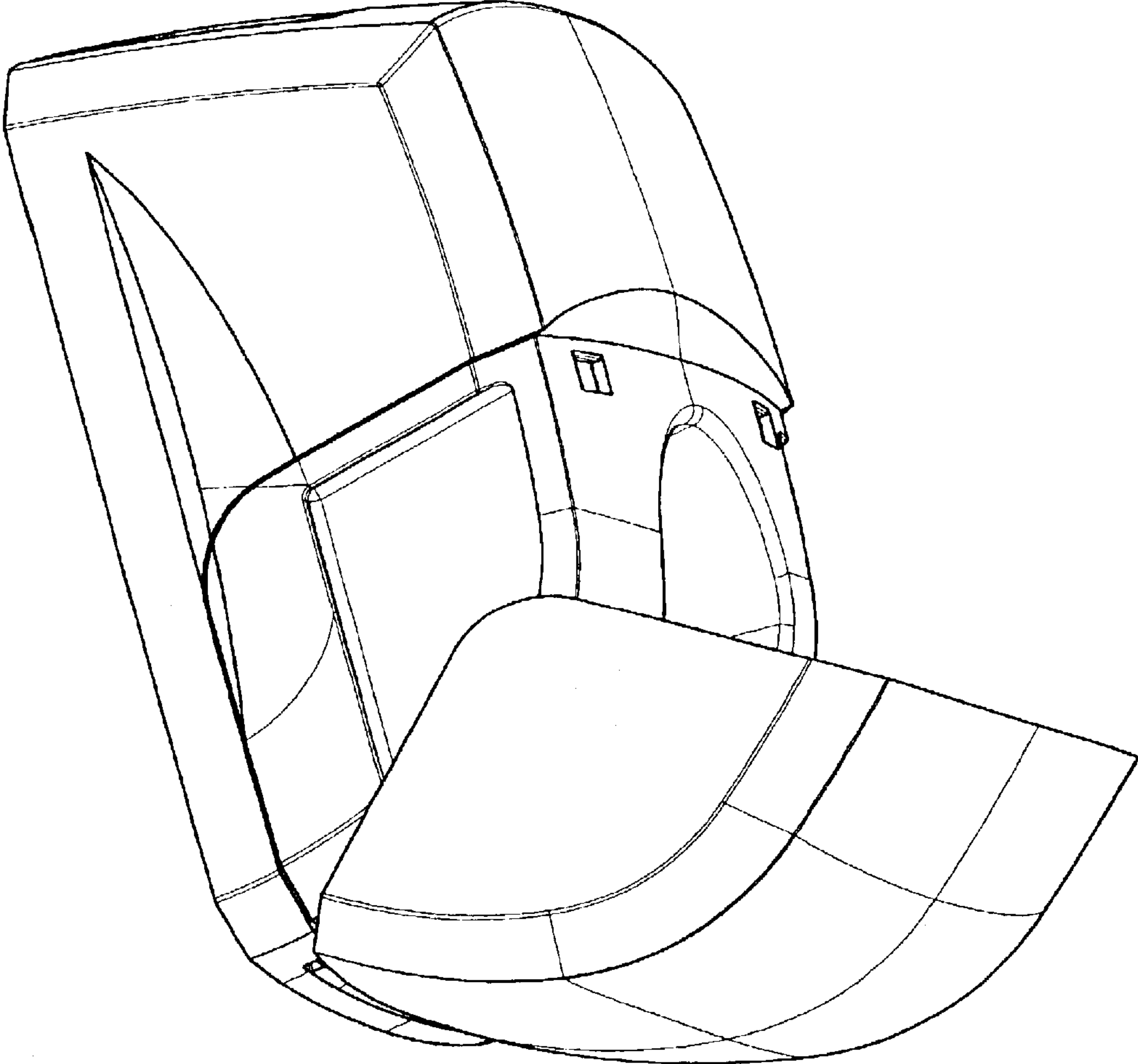


FIG. 2

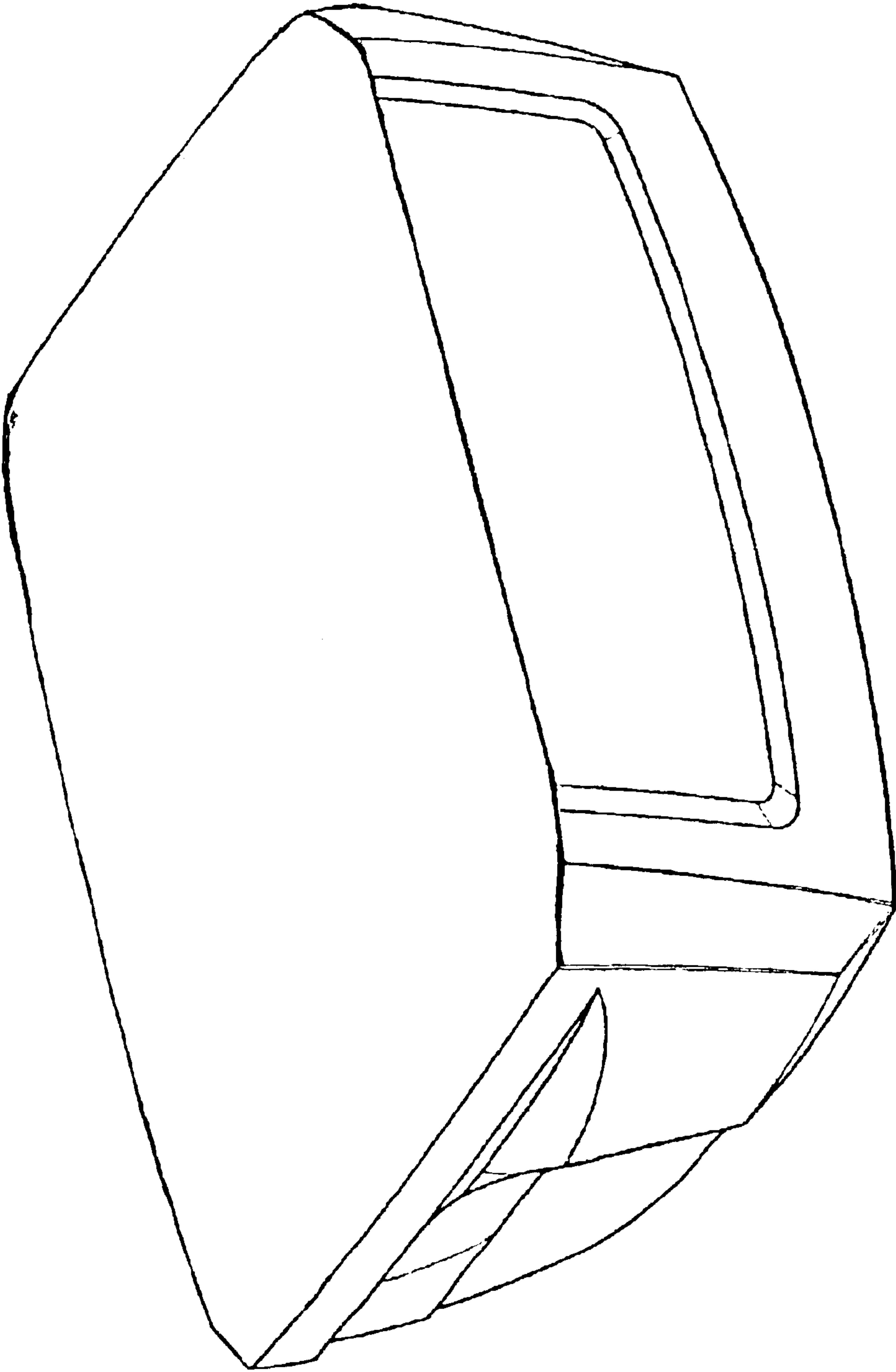


FIG. 3

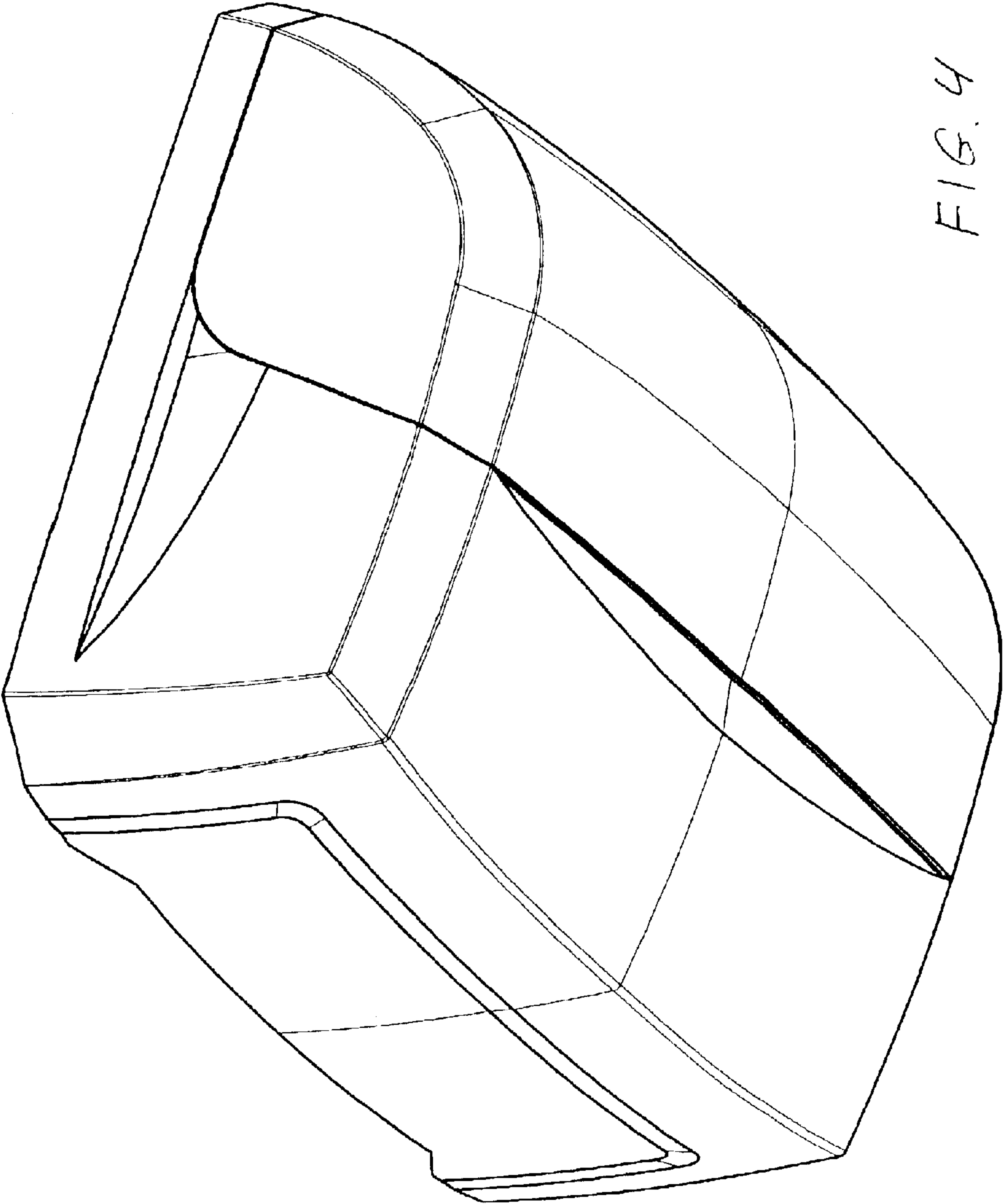


FIG. 4



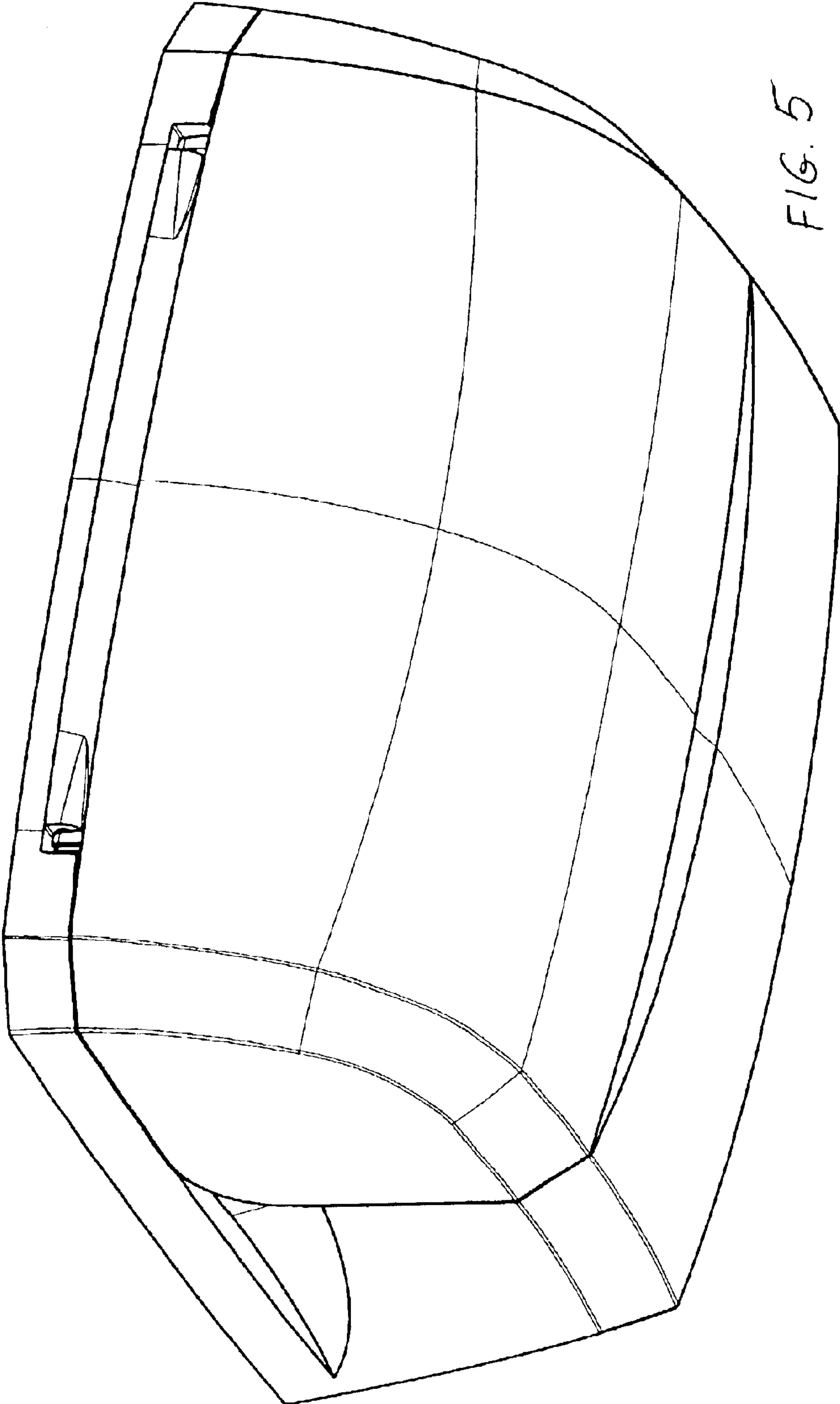


FIG. 5