



US00D492332S1

(12) **United States Design Patent** (10) **Patent No.:** **US D492,332 S**
Boyd (45) **Date of Patent:** **** Jun. 29, 2004**

(54) **LIFTING BOW**
(75) Inventor: **Rodney Boyd**, Clinton, LA (US)
(73) Assignee: **Feliciana Fabricators**, Greenwell Springs, LA (US)
(**) Term: **14 Years**
(21) Appl. No.: **29/185,102**
(22) Filed: **Jun. 23, 2003**
(51) **LOC (7) Cl.** **15-99**
(52) **U.S. Cl.** **D15/140**; D9/434; D34/28
(58) **Field of Search** D34/28; D9/434, D9/443, 455; 294/137, 159, 170, 171; D8/300, DIG. 1, 71, 14, 499; D3/328; D15/144, 140, 138, 199

5,836,634 A * 11/1998 Finkelman 294/159
D416,919 S * 11/1999 Lei D15/140
D423,025 S * 4/2000 Kanzo et al. D15/140
D423,348 S * 4/2000 Le Roux D9/434
D427,615 S * 7/2000 Koza et al. D15/140
D441,653 S * 5/2001 LeRoux D9/434
D450,069 S * 11/2001 Koza et al. D15/140
D452,435 S * 12/2001 Lichter D9/434
D455,348 S * 4/2002 Fludd D9/455
D464,544 S * 10/2002 Motley D8/14

* cited by examiner

Primary Examiner—Cynthia E. Ramirez
(74) *Attorney, Agent, or Firm*—Henry E. Naylor

(57) **CLAIM**

The ornamental design for a lifting bow, as shown and described.

DESCRIPTION

FIG. 1 is a front perspective view of a lifting bow in accordance with the present invention showing my new design;
FIG. 2 is a front view thereof, the rear view being a mirror image thereof;
FIG. 3 is a left side view thereof, the right side view being a mirror image thereof;
FIG. 4 is a top view thereof; and,
FIG. 5 is a bottom view thereof.
The broken line showing of environment in the drawings is for illustrative purposes only and forms no part of the claimed design.

(56) **References Cited**
U.S. PATENT DOCUMENTS
D212,644 S * 11/1968 Nesteriak D15/140
D214,720 S * 7/1969 Christopher et al. D34/28
D227,660 S * 7/1973 Konno D34/28
D290,935 S * 7/1987 Williams D9/434
D314,150 S * 1/1991 Preciutti D9/455
D314,895 S * 2/1991 Rumpel D8/14
5,199,758 A * 4/1993 Howell 294/171
D336,906 S * 6/1993 Stackhouse et al. D15/144
D339,814 S * 9/1993 Pepper D15/139
5,447,259 A * 9/1995 Erickson 220/759
D372,662 S * 8/1996 Atkinson D8/354
5,599,052 A * 2/1997 Van Davelaar 294/159
D392,098 S * 3/1998 Finkelman D3/315

1 Claim, 2 Drawing Sheets

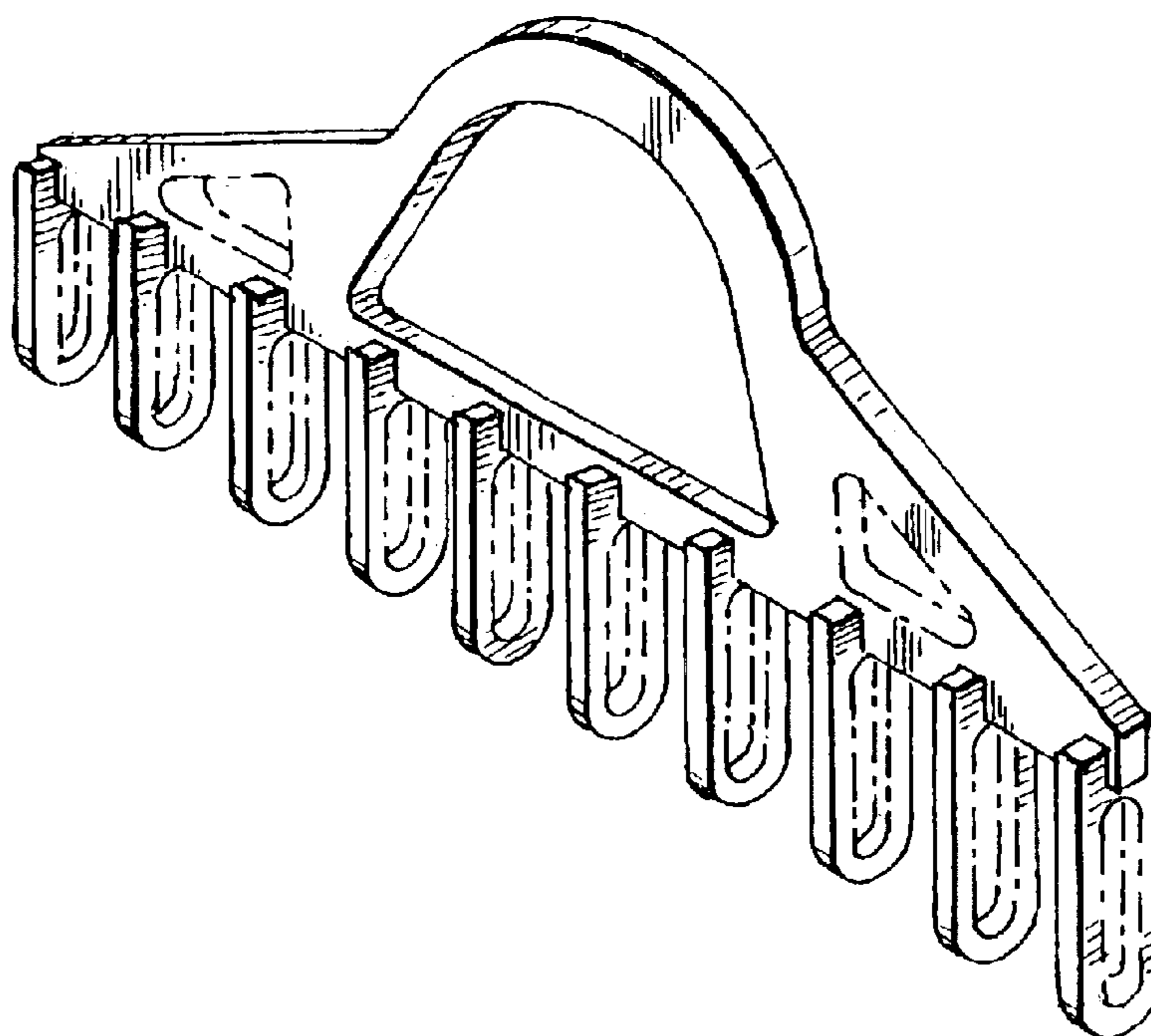


FIG. 1

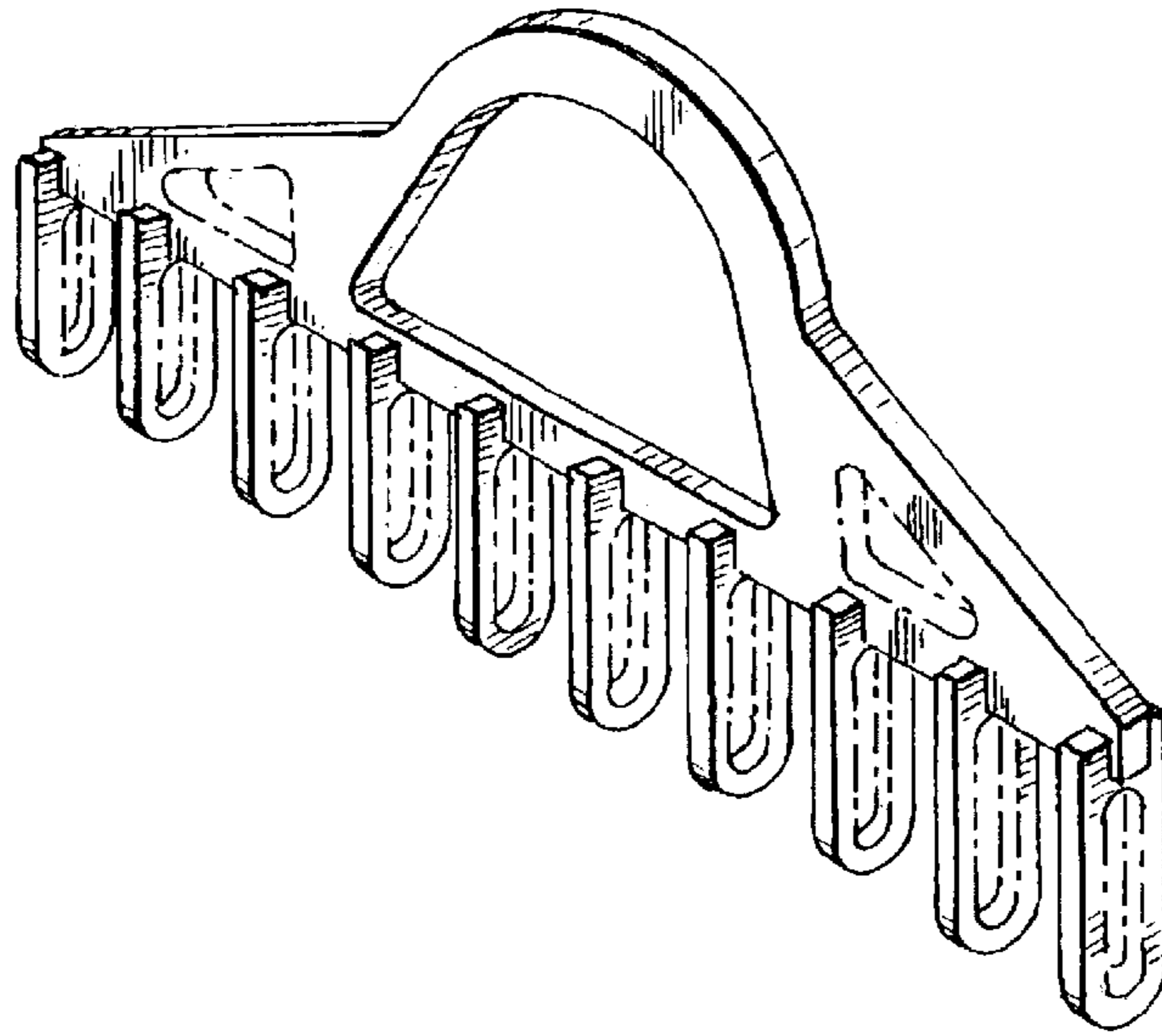
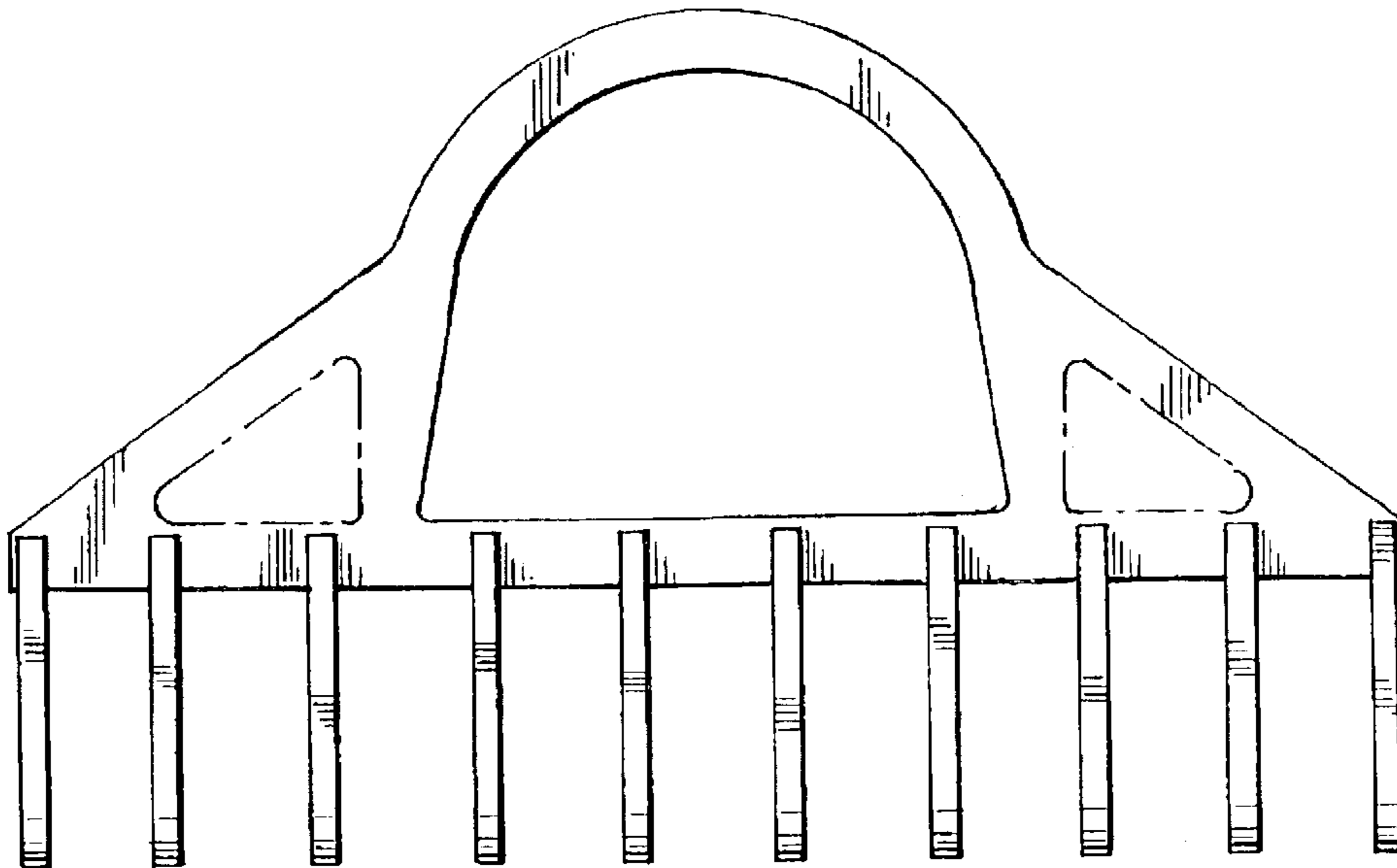


FIG. 2



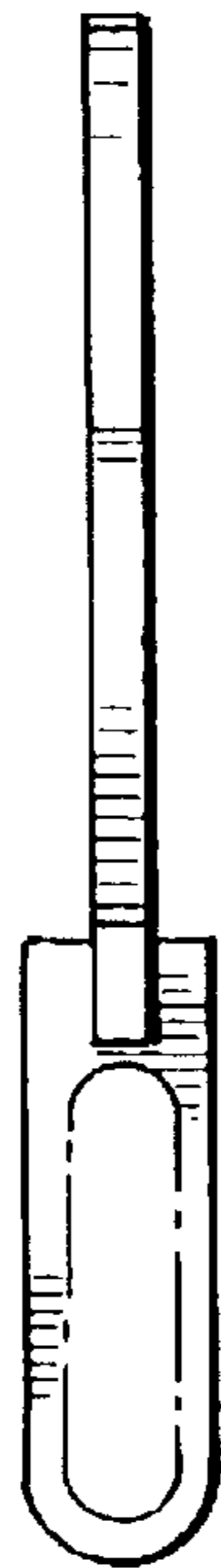


FIG. 3

FIG. 4

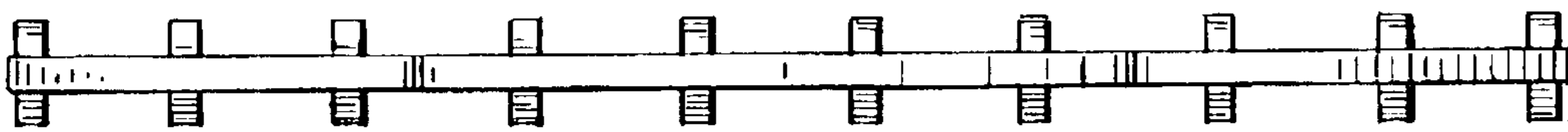


FIG. 5

