

US00D492331S1

(12) **United States Design Patent**
Matti

(10) **Patent No.:** **US D492,331 S**
(45) **Date of Patent:** **** Jun. 29, 2004**

(54) **DRILL BIT HEAD**

Primary Examiner—Antoine Duval Davis

(76) **Inventor:** **Edward Matti**, Unit 1A - 345
Limeridge Road West, Hamilton, ON
(CA), L9C 7C9

(57) **CLAIM**

The ornamental design for a drill bit head, as shown and described.

(**) **Term:** **14 Years**

DESCRIPTION

(21) **Appl. No.:** **29/177,710**

FIG. 1 is a top plan view of the drill bit head.

(22) **Filed:** **Mar. 17, 2003**

FIG. 2 is a side plan view of the drill bit head

(30) **Foreign Application Priority Data**

Sep. 25, 2002 (CA) 100710

FIG. 3 is a side plan view of the drill bit head.

(51) **LOC (7) Cl.** **15-09**

FIG. 4 is a bottom plan view of the drill bit head.

(52) **U.S. Cl.** **D15/139**

FIG. 5 is an upright perspective view of the drill bit head.

(58) **Field of Search** D15/139; 177/429,
177/421, 378, 341, 331, 379-381, 377,
385, 393, 418, 420.1, 430, 431, 427, 348-354,
355, 358, 360, 361

FIG. 6 is an upright perspective view of the drill bit head.

(56) **References Cited**

U.S. PATENT DOCUMENTS

4,813,500 A * 3/1989 Jones 175/379
5,103,922 A * 4/1992 Jones 175/429

FIG. 7 is a top plan view of a second embodiment of the drill bit head depicted in FIGS. 7 to 12.

FIG. 8 is a side plan view of the drill bit head

FIG. 9 is a side plan view of the drill bit head.

FIG. 10 is a bottom plan view of the drill bit head.

FIG. 11 is an upright perspective view of the drill bit head; and,

FIG. 12 is an upright perspective view of the drill bit head.

The broken line showing is for illustrative purposes only and forms no part of the claimed design.

* cited by examiner

1 Claim, 6 Drawing Sheets

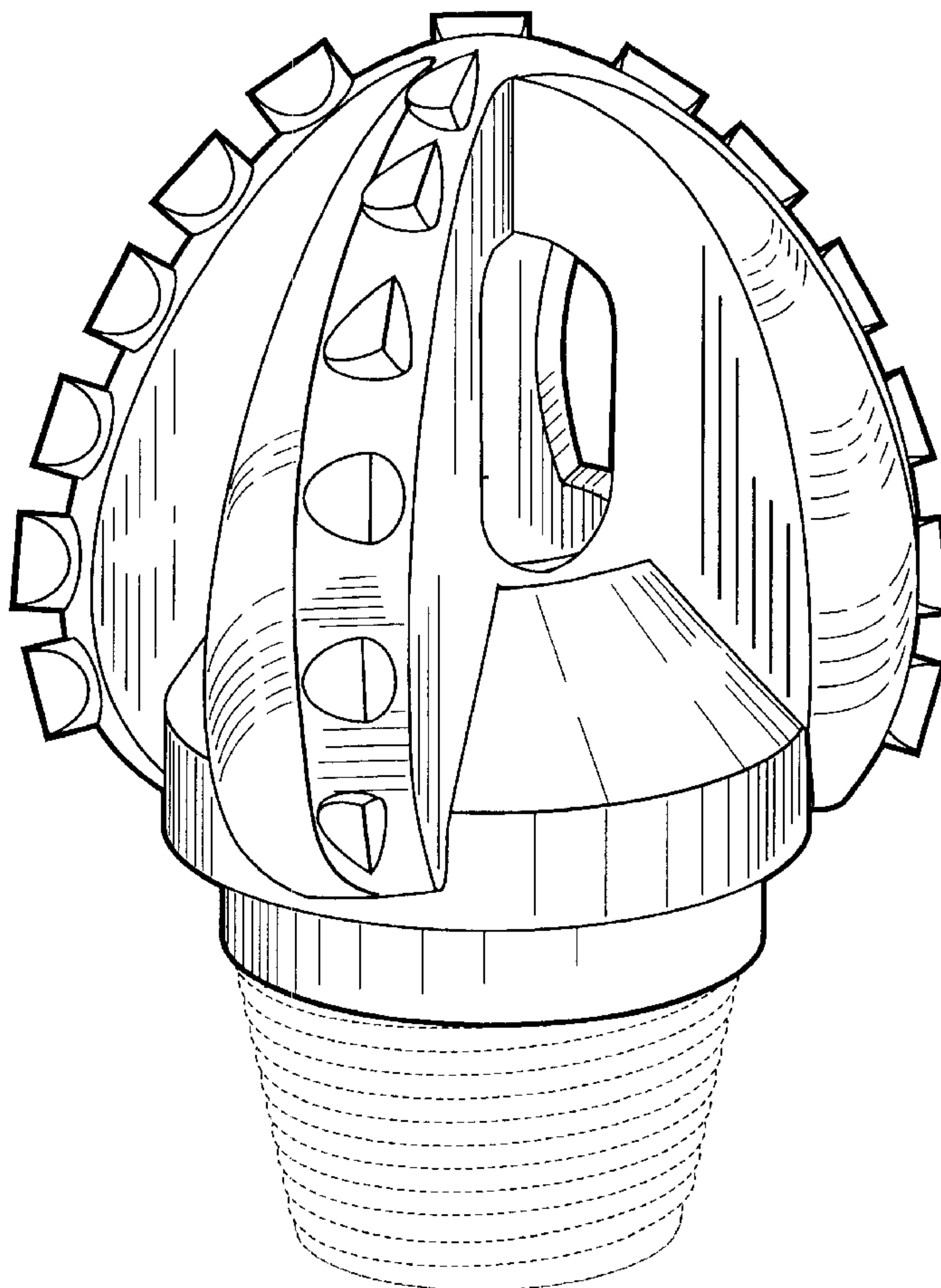


Fig. 1

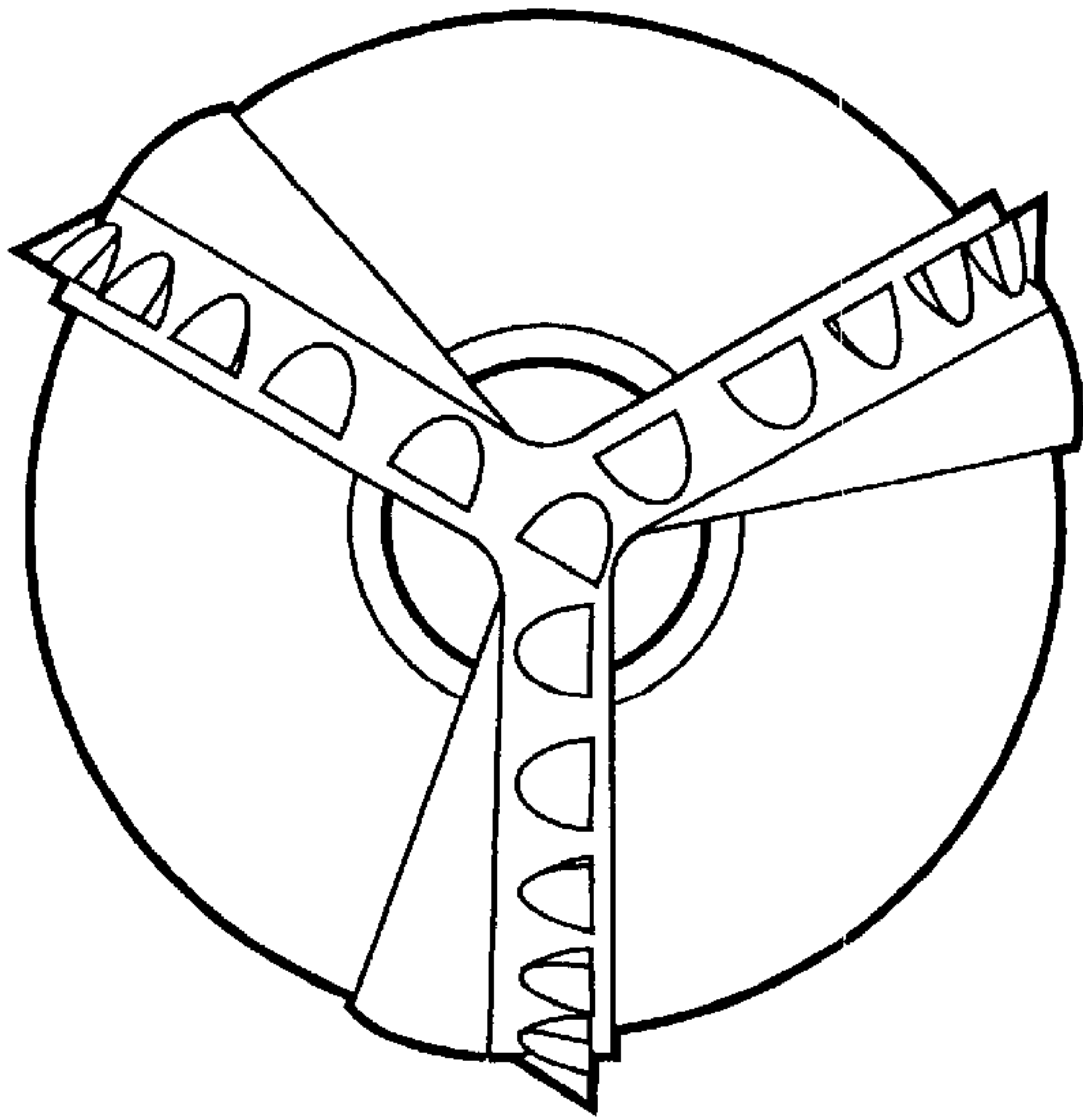


Fig. 2

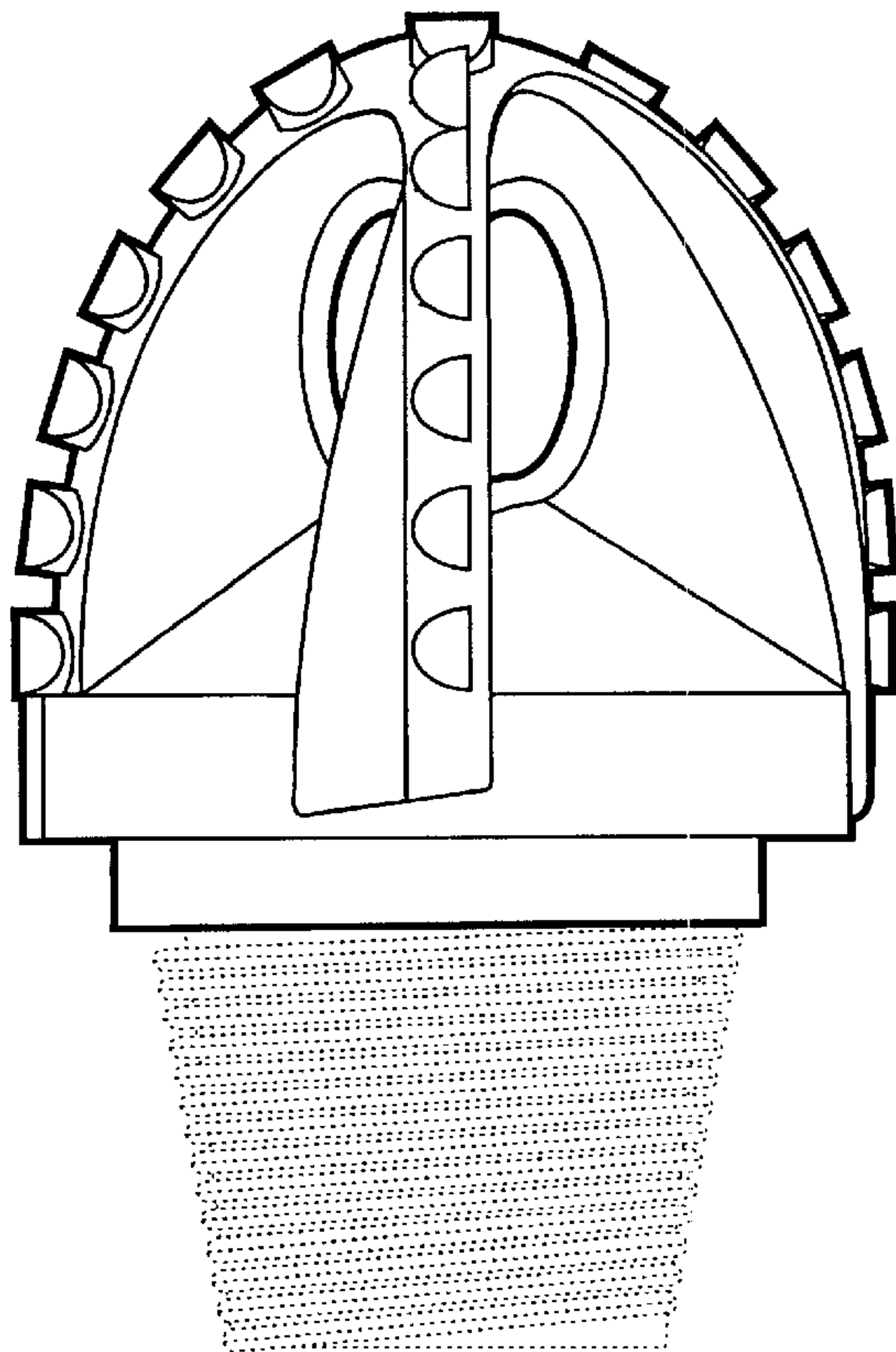


Fig. 3

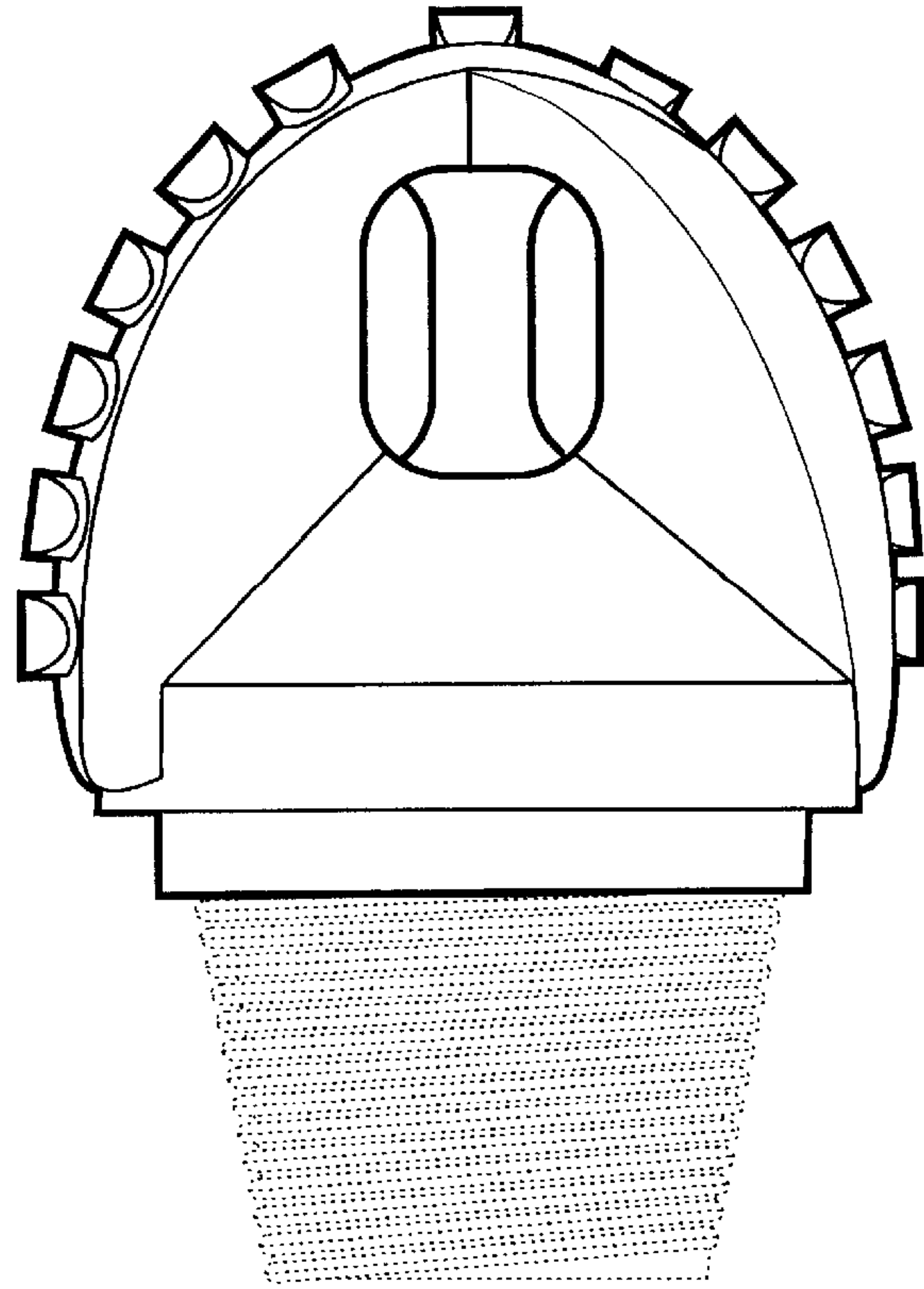


Fig. 4

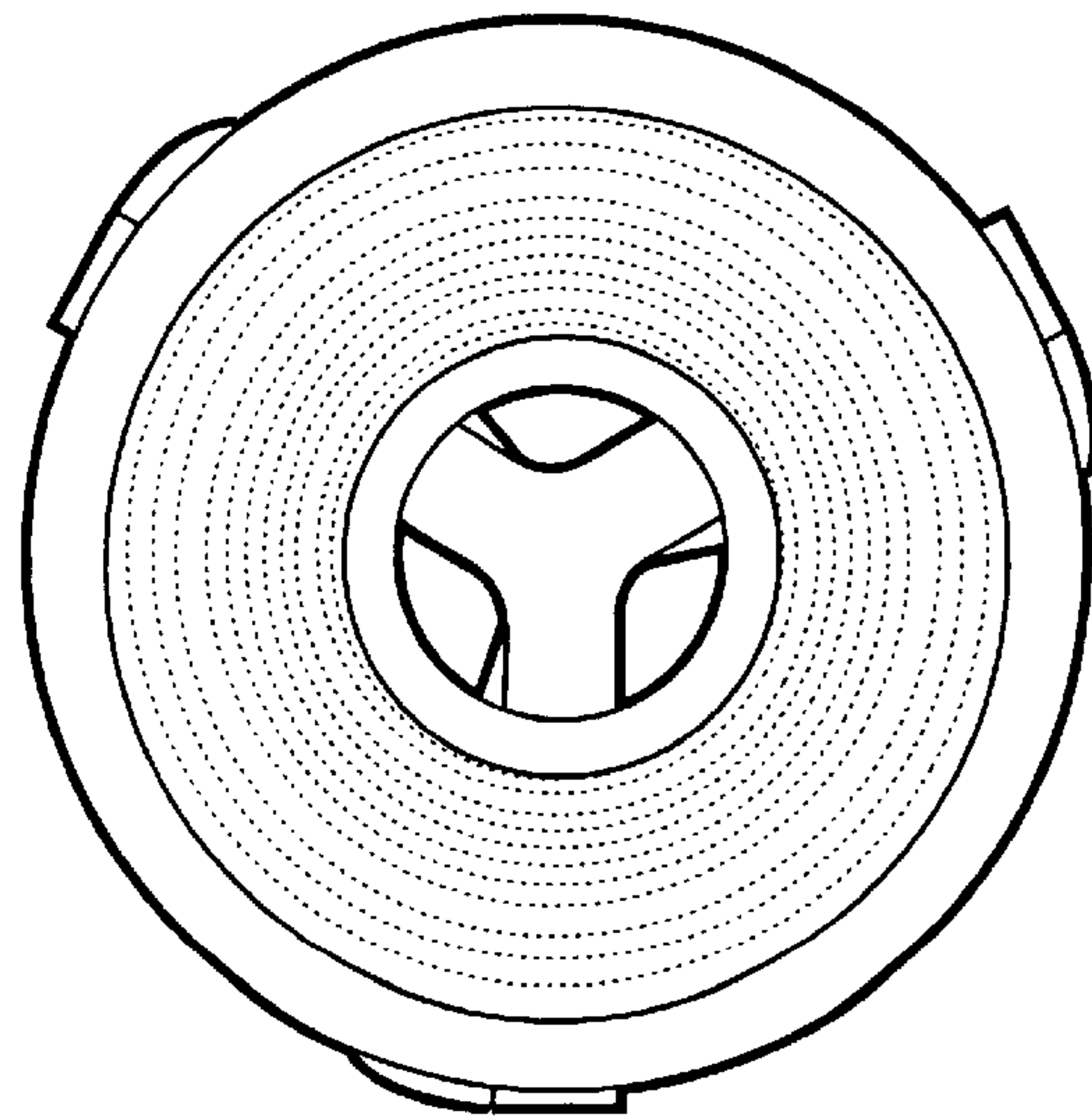


Fig. 5

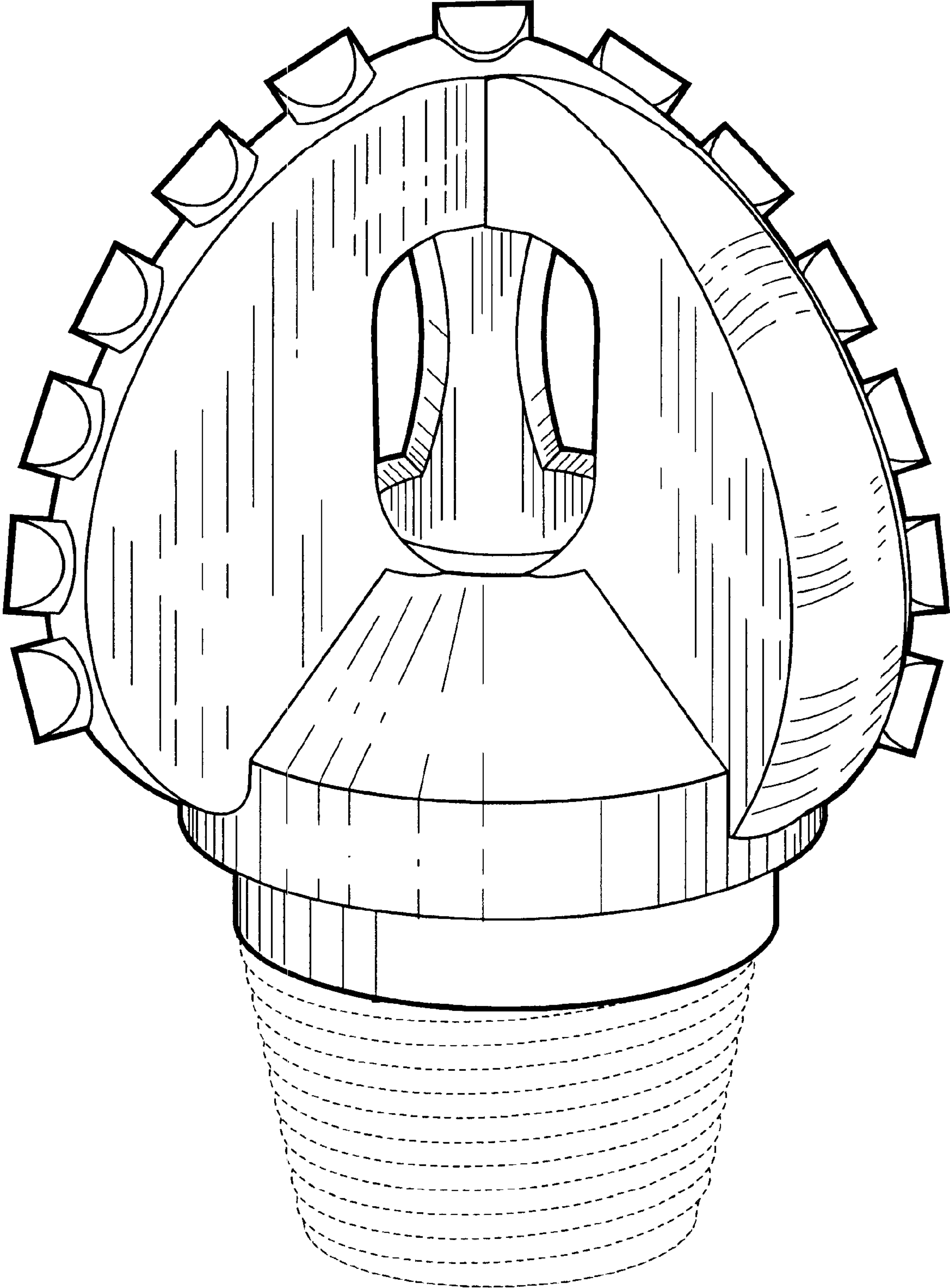


Fig. 6

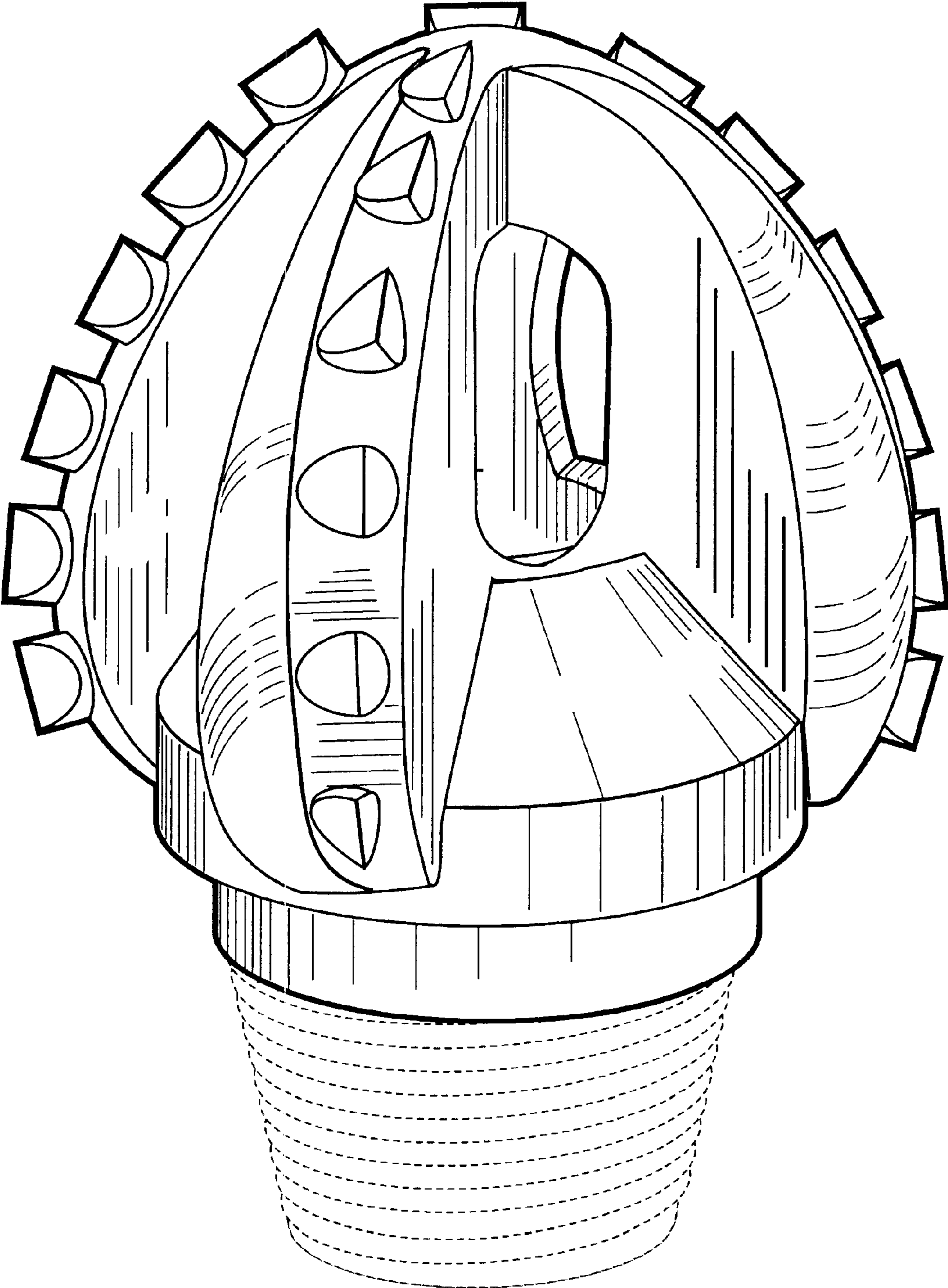


Fig. 7

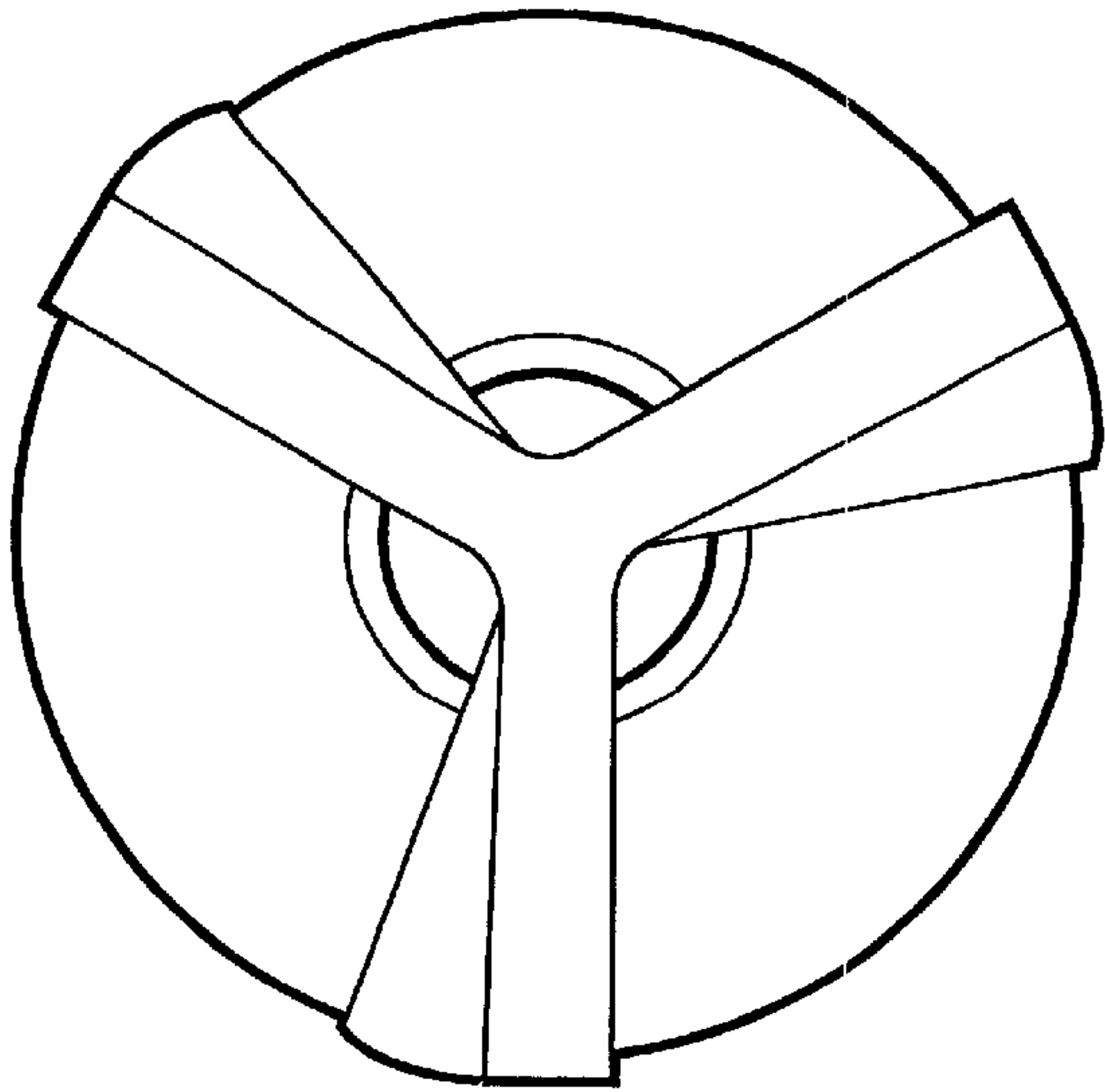


Fig. 9

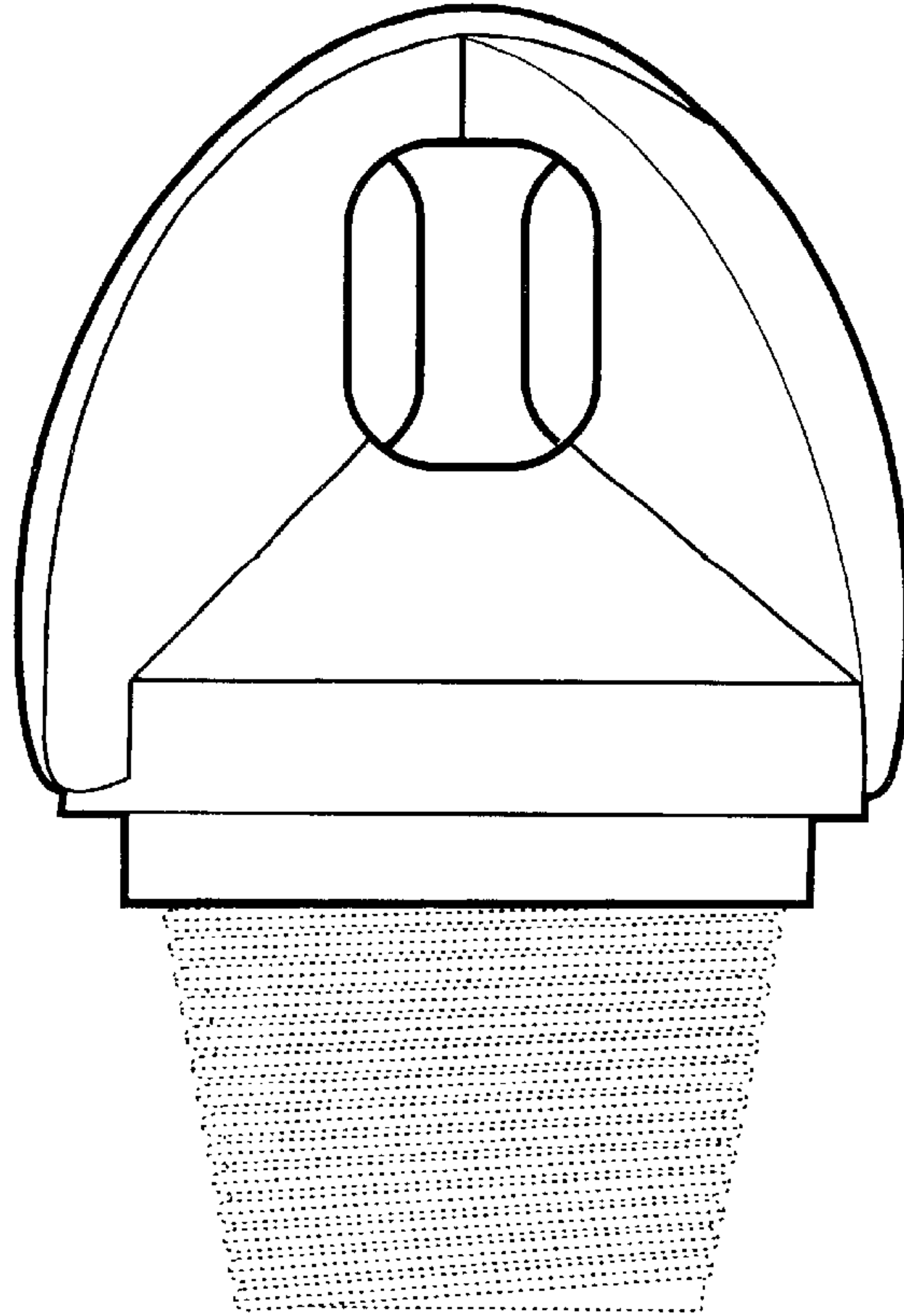


Fig. 8

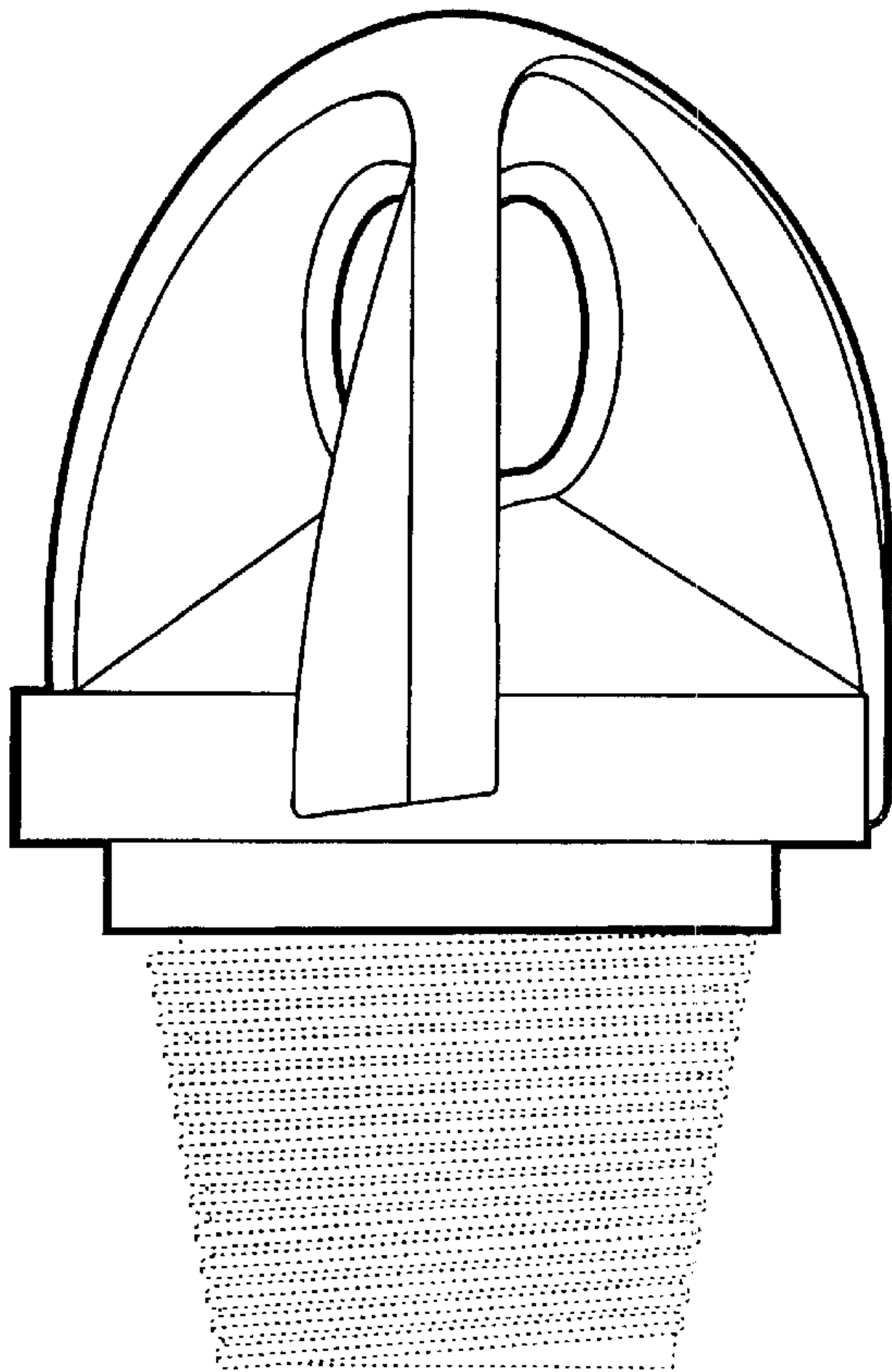


Fig. 10

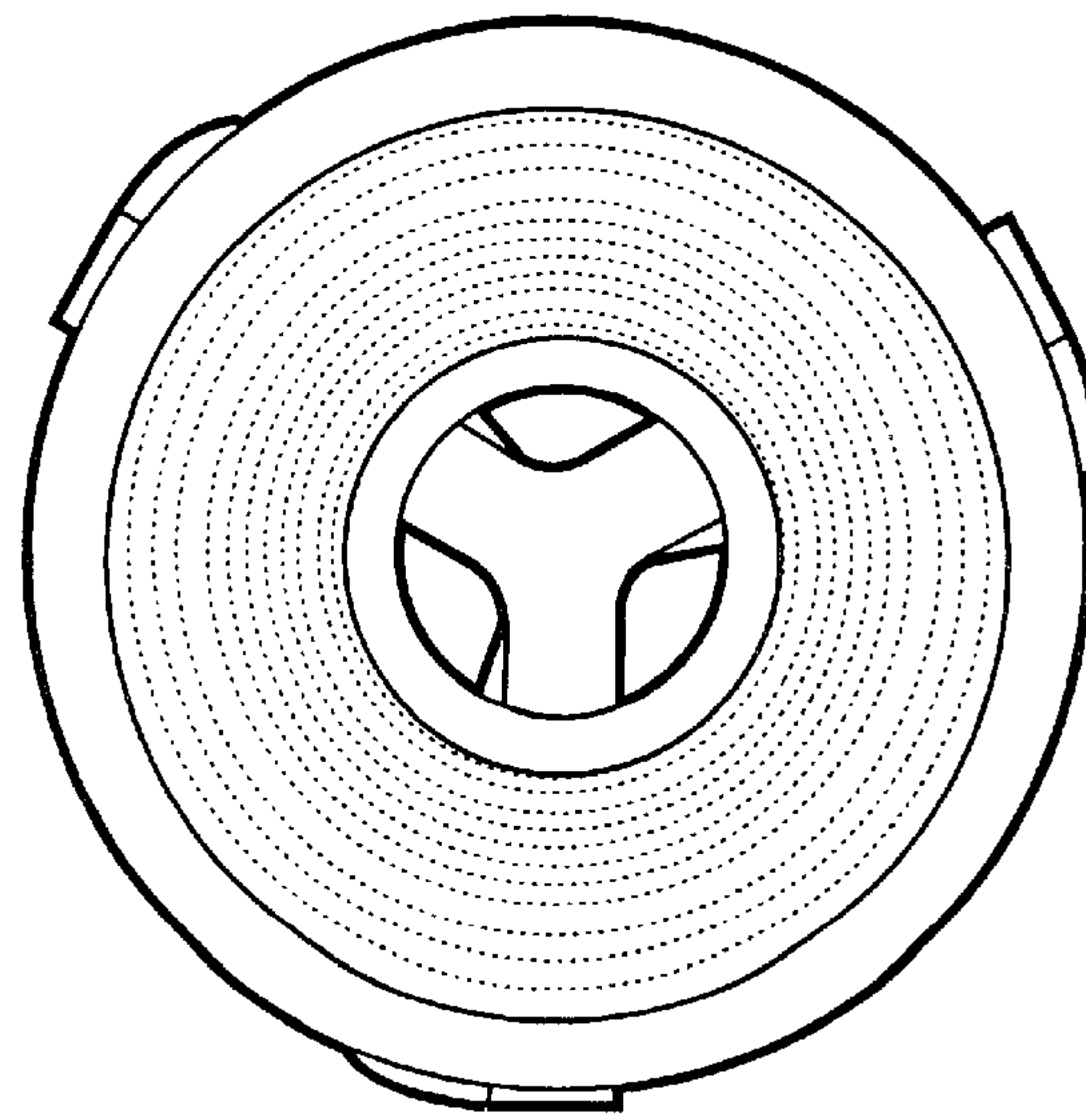


Fig. 11

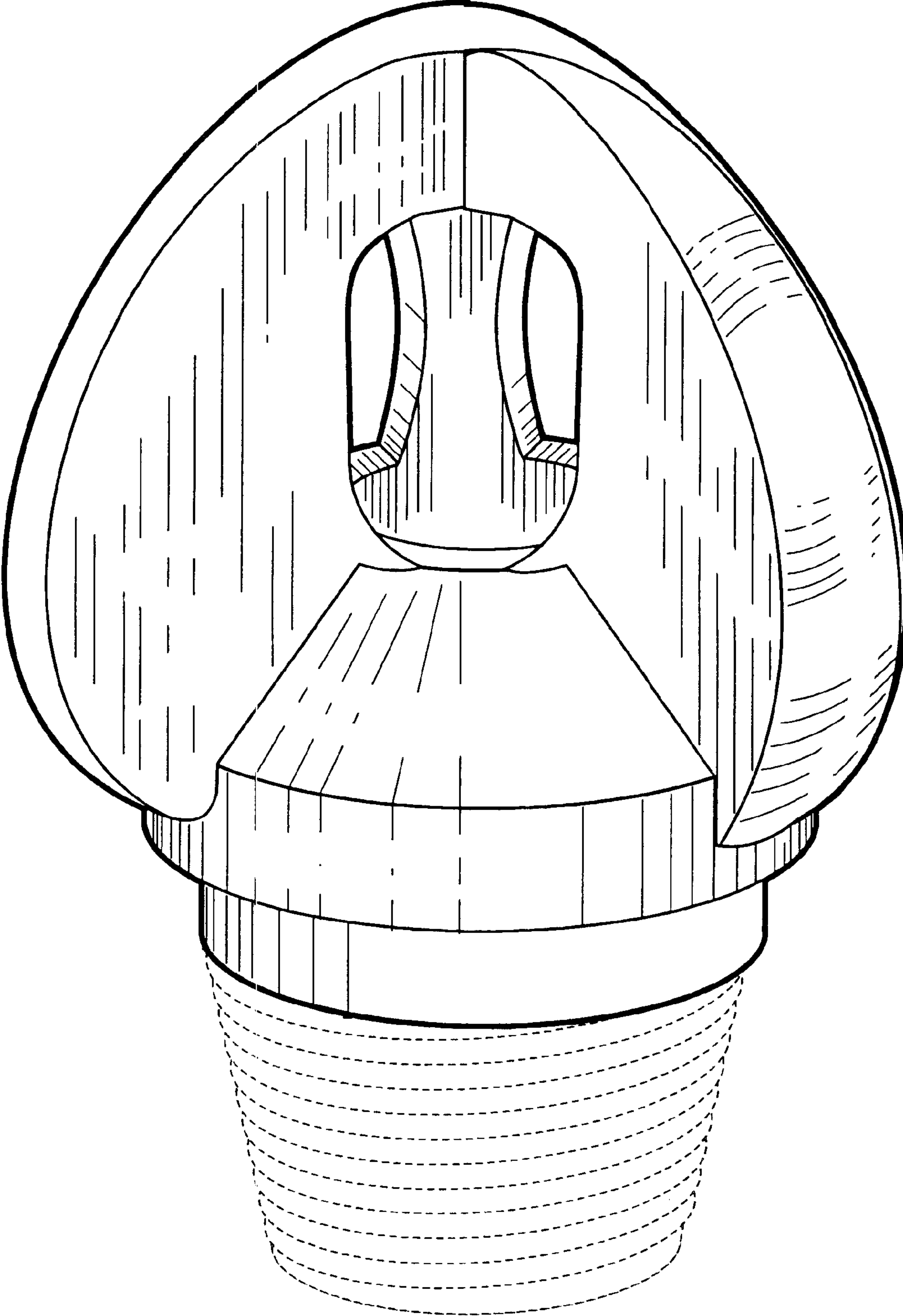


Fig. 12

