

US00D492330S1

(12) **United States Design Patent**  
**Liu**

(10) **Patent No.:** **US D492,330 S**  
(45) **Date of Patent:** **\*\* Jun. 29, 2004**

- (54) **PLANER**
- (75) **Inventor:** **Chun-Nan Liu, Taichung Hsien (TW)**
- (73) **Assignee:** **OAV Equipment & Tools, Inc., Taichung Hsien (TW)**
- (\*\*) **Term:** **14 Years**
- (21) **Appl. No.:** **29/186,003**
- (22) **Filed:** **Jul. 9, 2003**
- (51) **LOC (7) Cl.** ..... **15-09**
- (52) **U.S. Cl.** ..... **D15/125**
- (58) **Field of Search** ..... **D15/124-125;**  
144/117.1, 218, 114.1, 225, 117 R, 375,  
144 R, 131, 154.5, 116, 128-130, 230,  
242.5, 245.1, 121-126, 127.1-127, 118-119.2;  
408/115 R, 241 S, 179

- D342,078 S \* 12/1993 De brey ..... D15/124
- D362,858 S \* 10/1995 Dyer ..... D15/125
- 6,557,599 B2 \* 5/2003 Liao ..... 144/117.1

\* cited by examiner

*Primary Examiner*—Antoine D. Davis  
(74) *Attorney, Agent, or Firm*—Browdy and Neimark, P.L.L.C.

(57) **CLAIM**

The ornamental design for a “planer,” as shown.

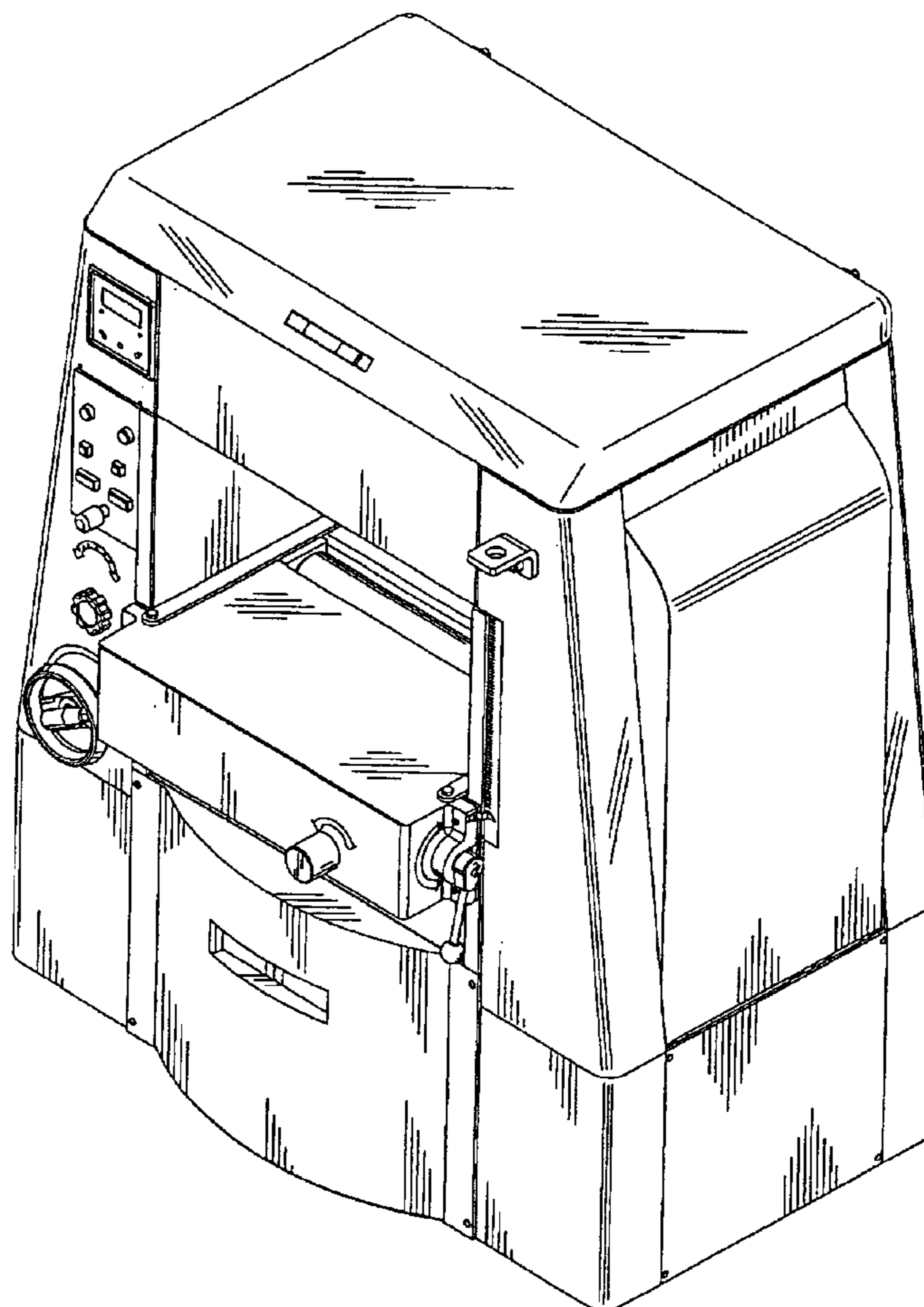
**DESCRIPTION**

FIG. 1 shows a perspective view of the present design.  
FIG. 2 shows a right side elevational view of the present design.  
FIG. 3 shows a top plan view of the present design.  
FIG. 4 shows a front elevational view of the present design.  
FIG. 5 shows a bottom plan view of the present design.  
FIG. 6 shows a left side elevational view of the present design; and,  
FIG. 7 shows a rear elevational view of the present design.

(56) **References Cited**  
**U.S. PATENT DOCUMENTS**

- 3,718,168 A \* 2/1973 Berends ..... 144/117.1
- D229,957 S \* 1/1974 Schustar ..... D15/124

**1 Claim, 6 Drawing Sheets**



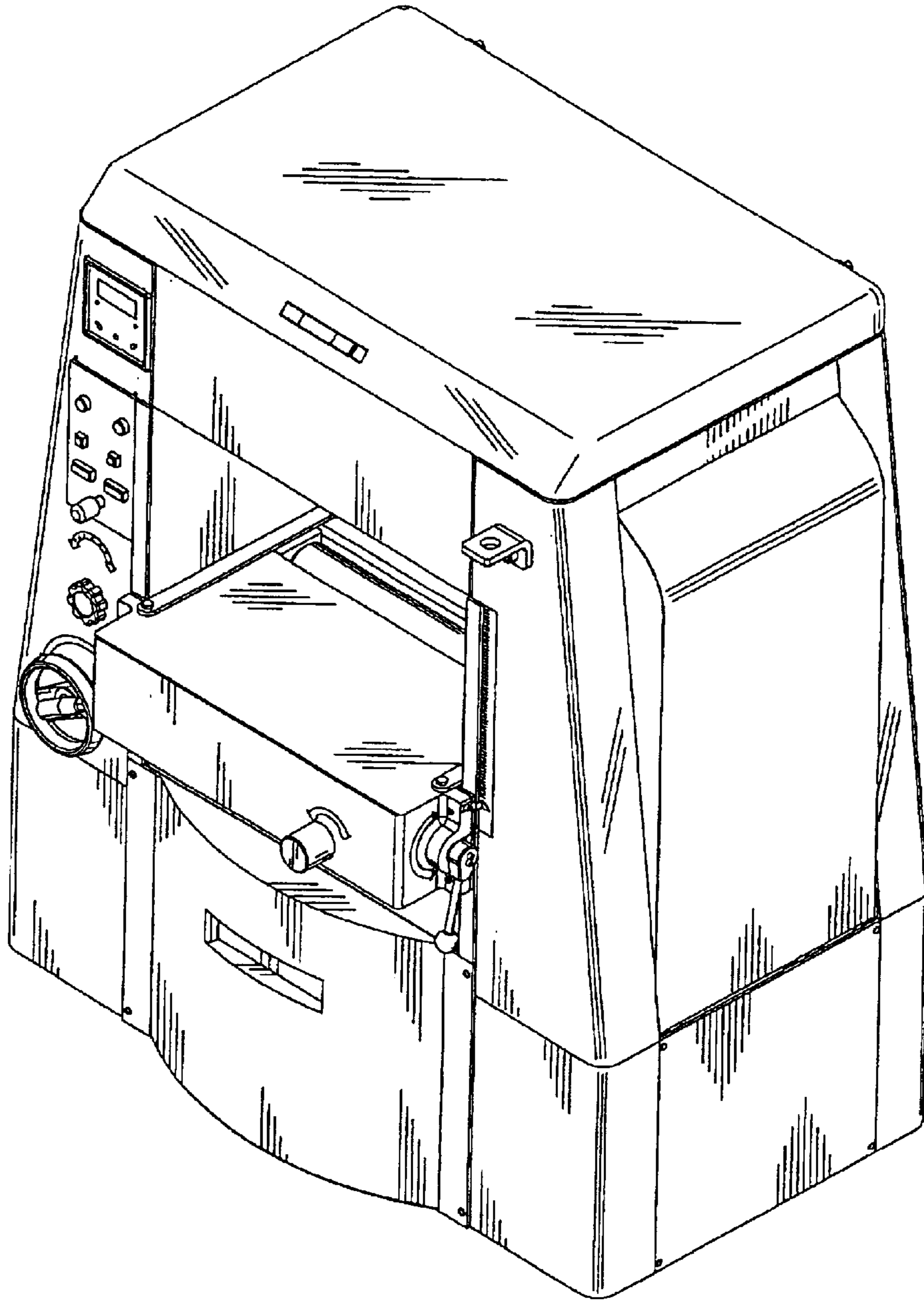


FIG. 1

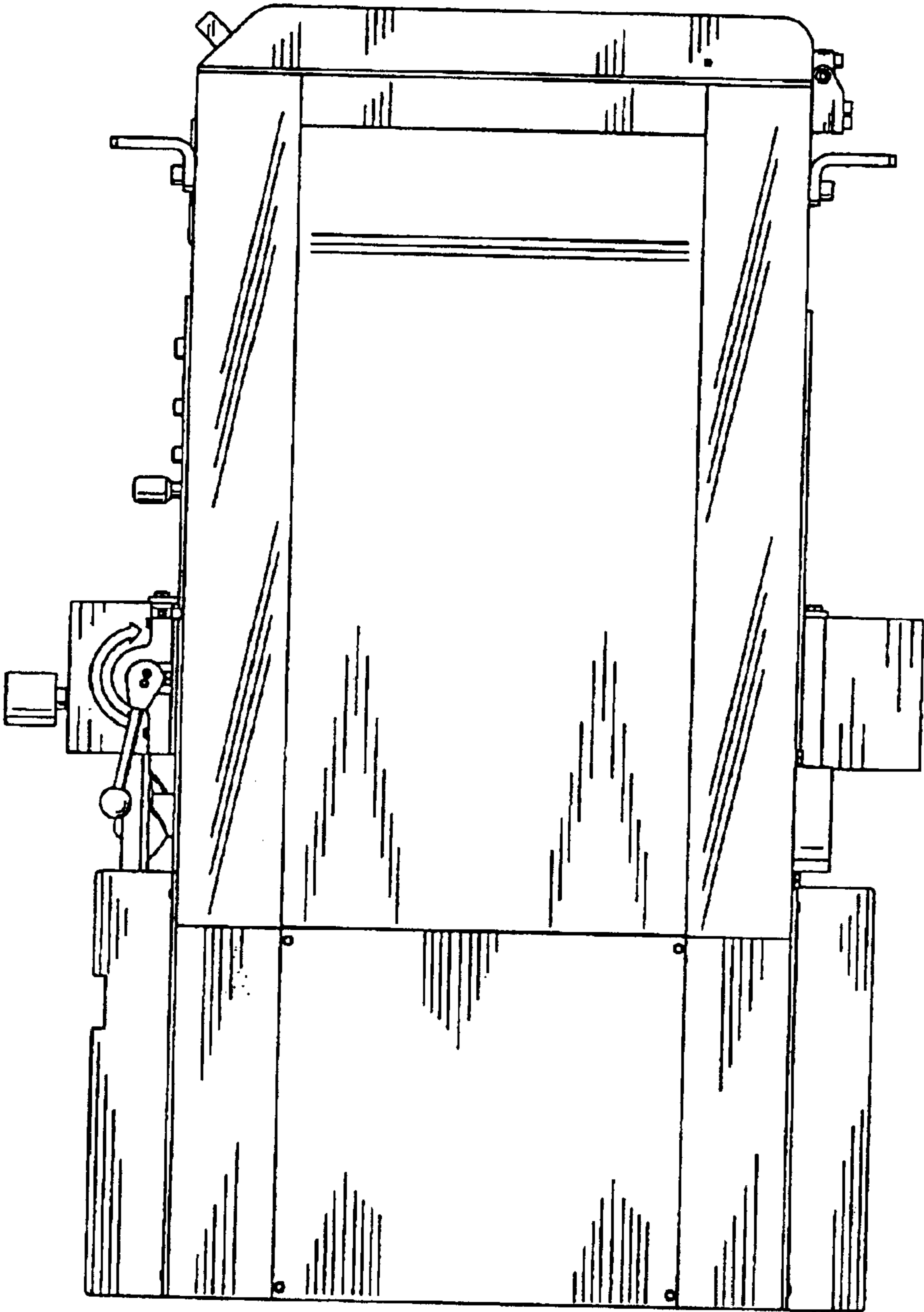


FIG. 2

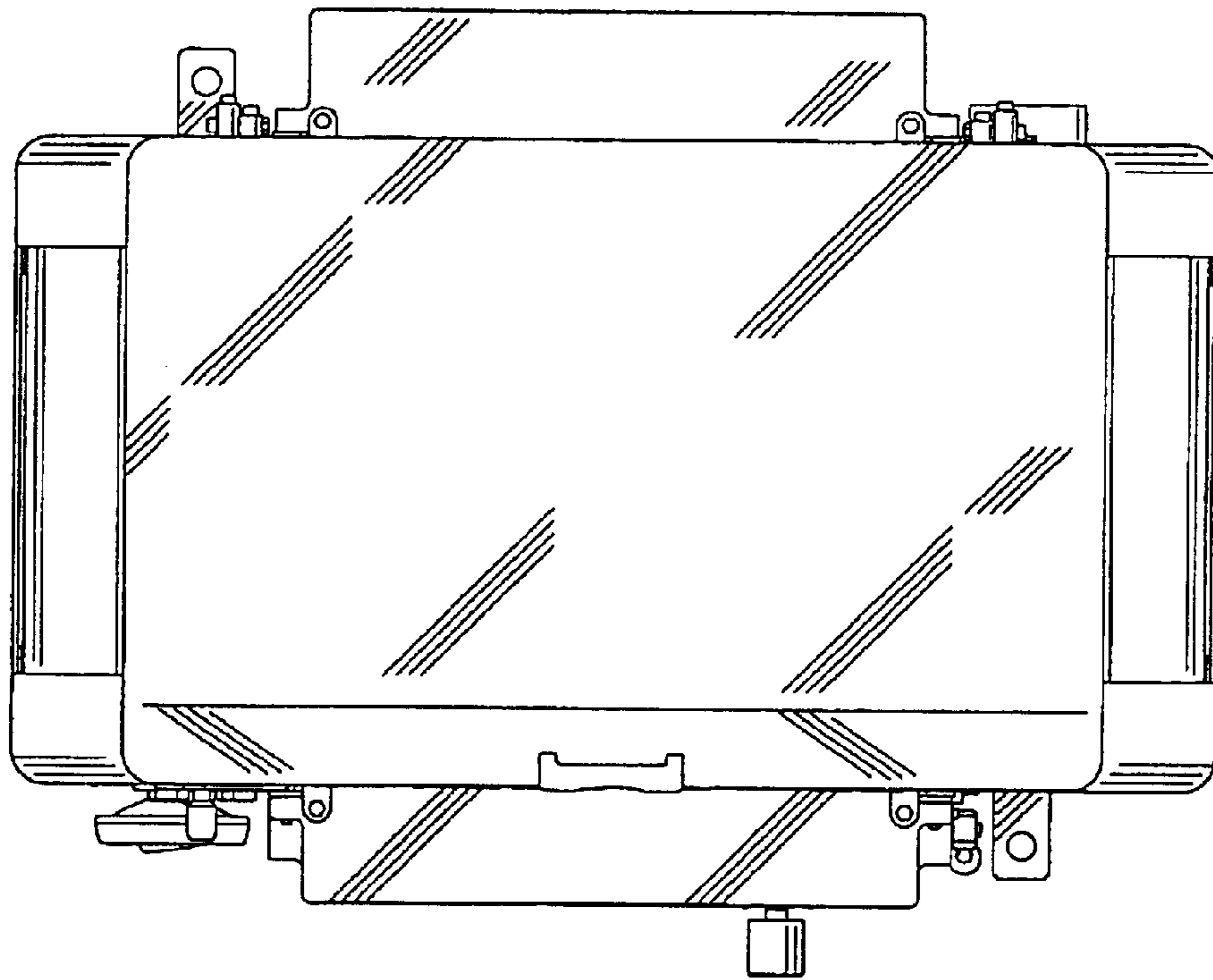


FIG. 3

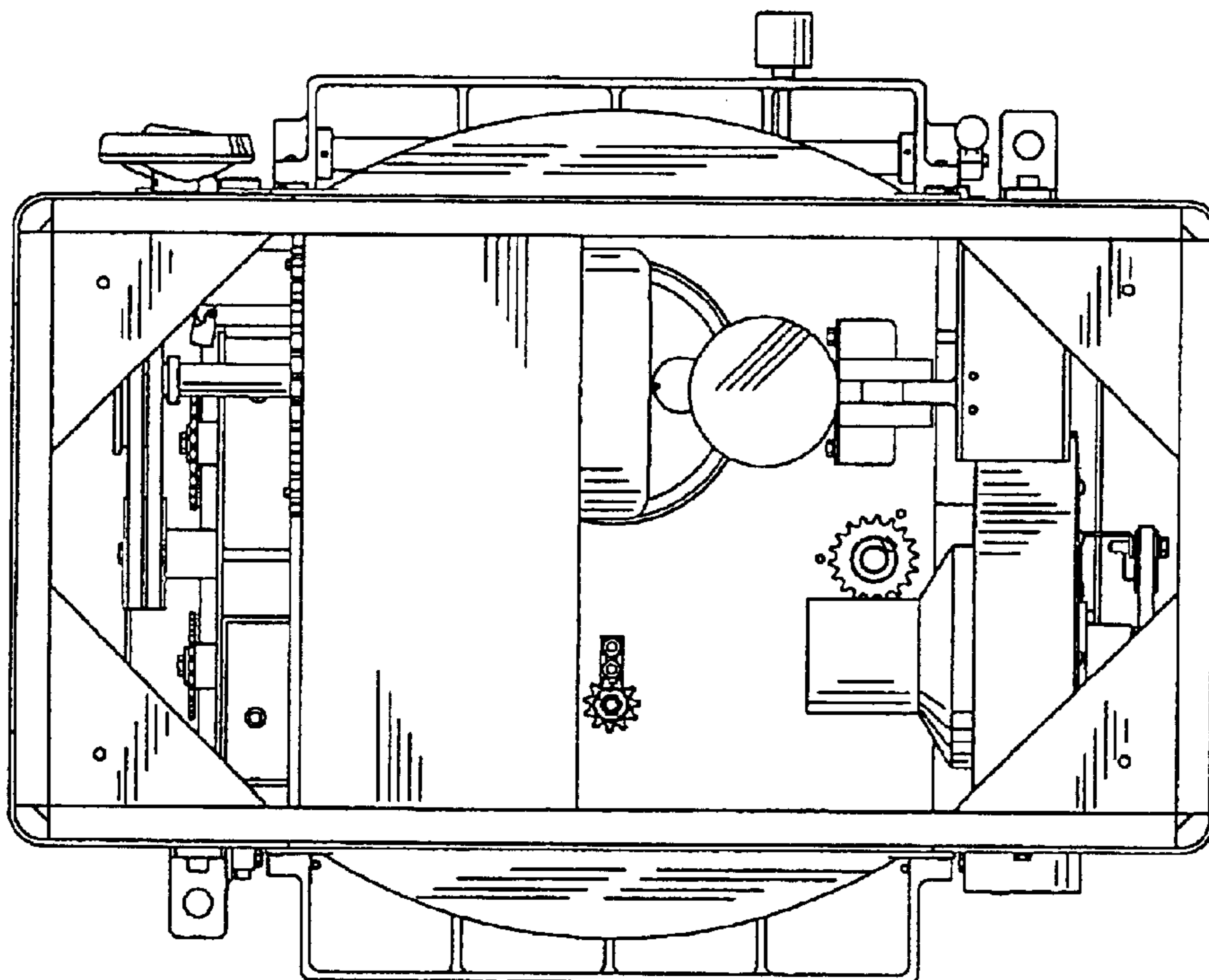


FIG. 5

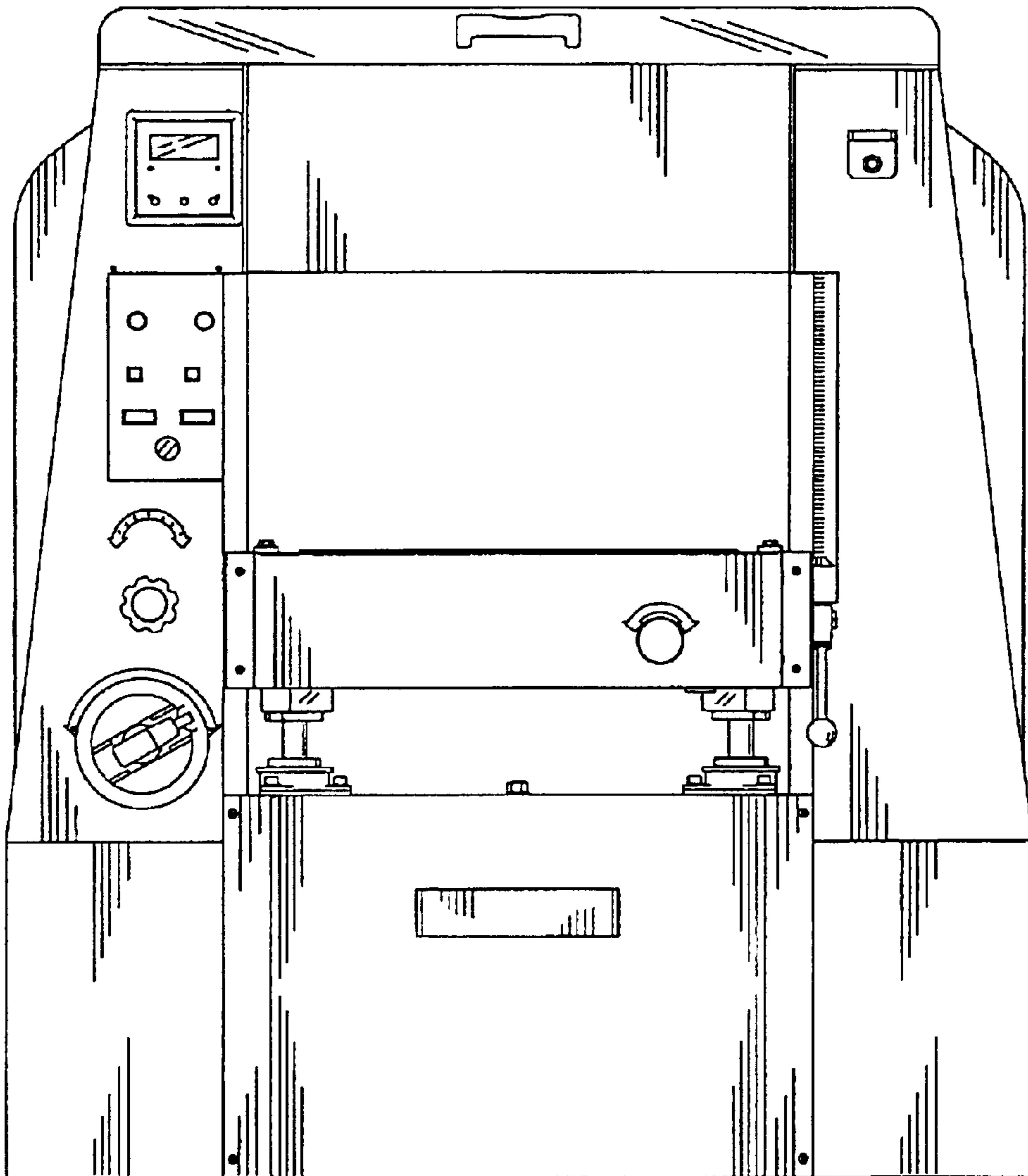


FIG. 4



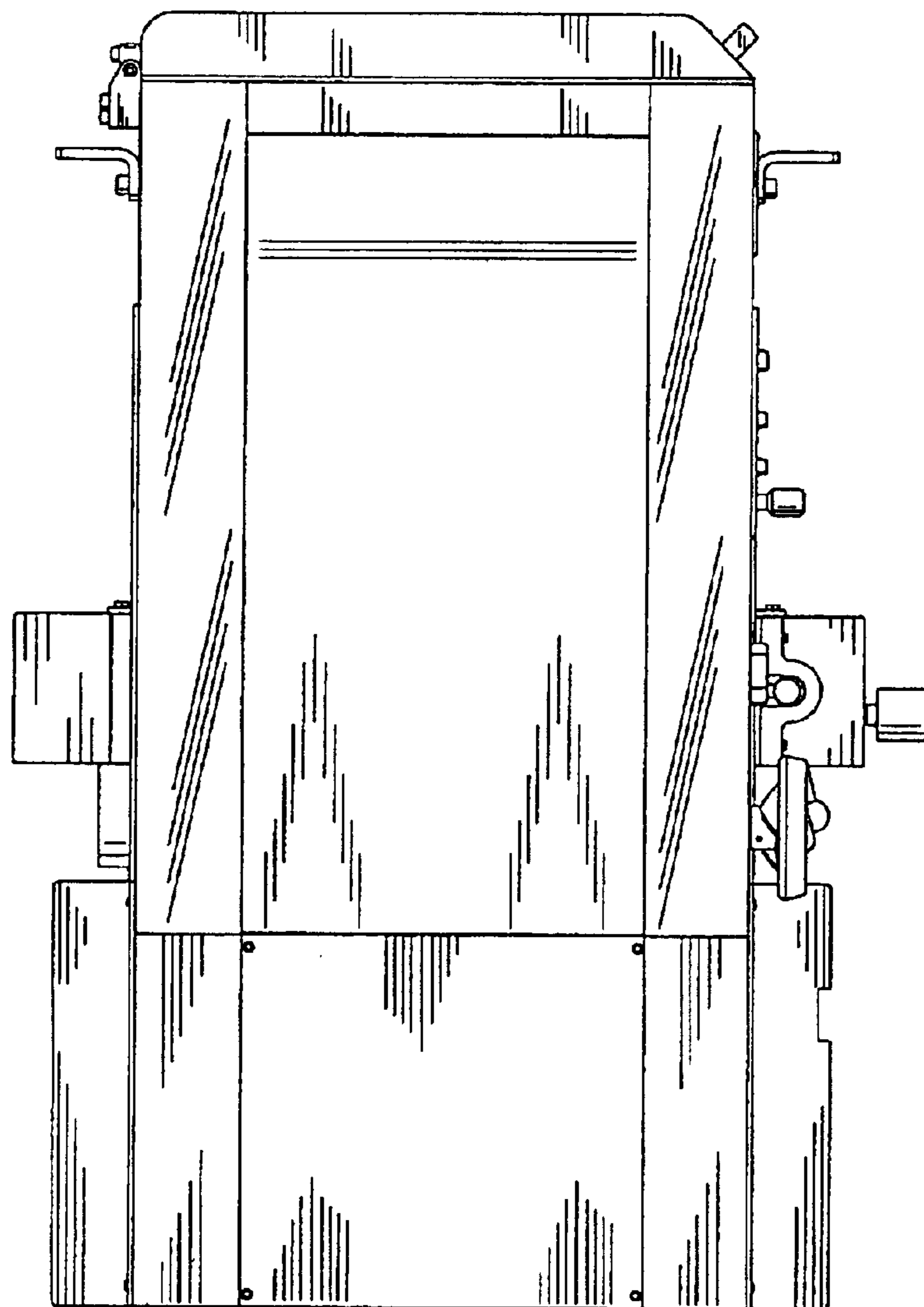


FIG. 6

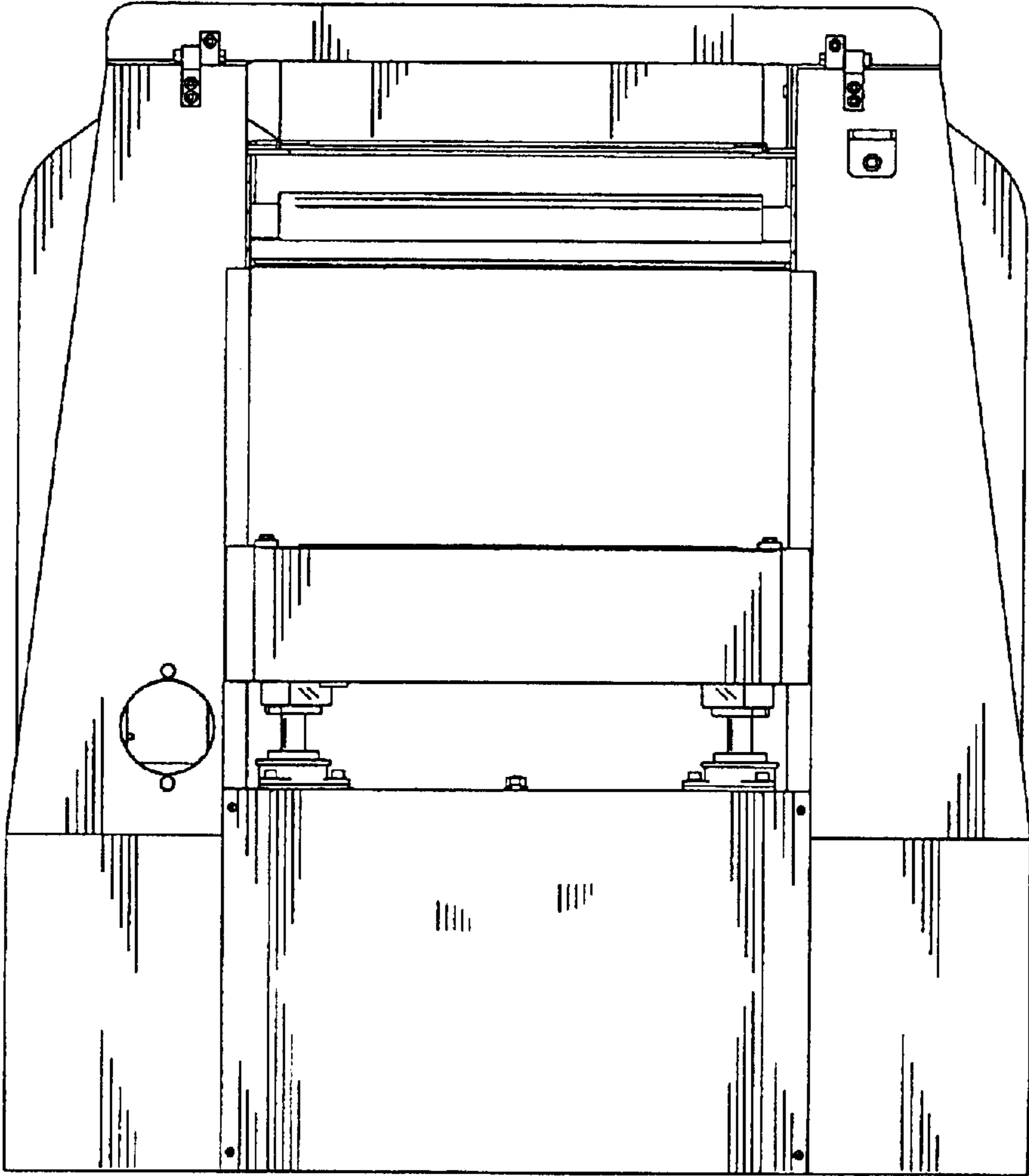


FIG. 7