

US00D492328S1

(12) **United States Design Patent** (10) Patent No.: **US D492,328 S**  
**Uihlein et al.** (45) Date of Patent: **\*\* Jun. 29, 2004**

(54) **REFRIGERATOR STORAGE BIN**

(75) Inventors: **Philip J. Uihlein**, Mequon, WI (US);  
**Jennifer U. Strazewski**, Mequon, WI (US);  
**William A. Reed**, Cedarburg, WI (US);  
**Thomas W. Rand**, Cedarburg, WI (US);  
**Joseph E. Braun**, Brown Deer, WI (US);  
**Cory R. Boudreau**, Madison, WI (US);  
**Richard A. Nelipovich**, Madison, WI (US);  
**Ami M. Verhalen**, Sun Prairie, WI (US);  
**Daniel R. Bullis, Jr.**, Madison, WI (US)

(73) Assignee: **U-Line Corporation**, Milwaukee, WI (US)

(\*\*) Term: **14 Years**

(21) Appl. No.: **29/190,229**

(22) Filed: **Sep. 19, 2003**

(51) LOC (7) Cl. .... **15-07**

(52) U.S. Cl. .... **D15/89**

(58) Field of Search ..... D15/79-89; D8/313;  
62/344.7, 382, 401, 408; 312/35, 128, 132,  
401, 404, 408, 417

(56) **References Cited**

**U.S. PATENT DOCUMENTS**

2,306,802 A	12/1942	Harbison
4,960,308 A	10/1990	Donaghy
D358,403 S	5/1995	Edman et al.
D384,681 S	10/1997	Martin
6,565,169 B1	5/2003	Moreno-Olguin et al.
D479,723 S	9/2003	Braun et al.

*Primary Examiner*—Mitchell Siegel

(74) *Attorney, Agent, or Firm*—Quarles & Brady LLP

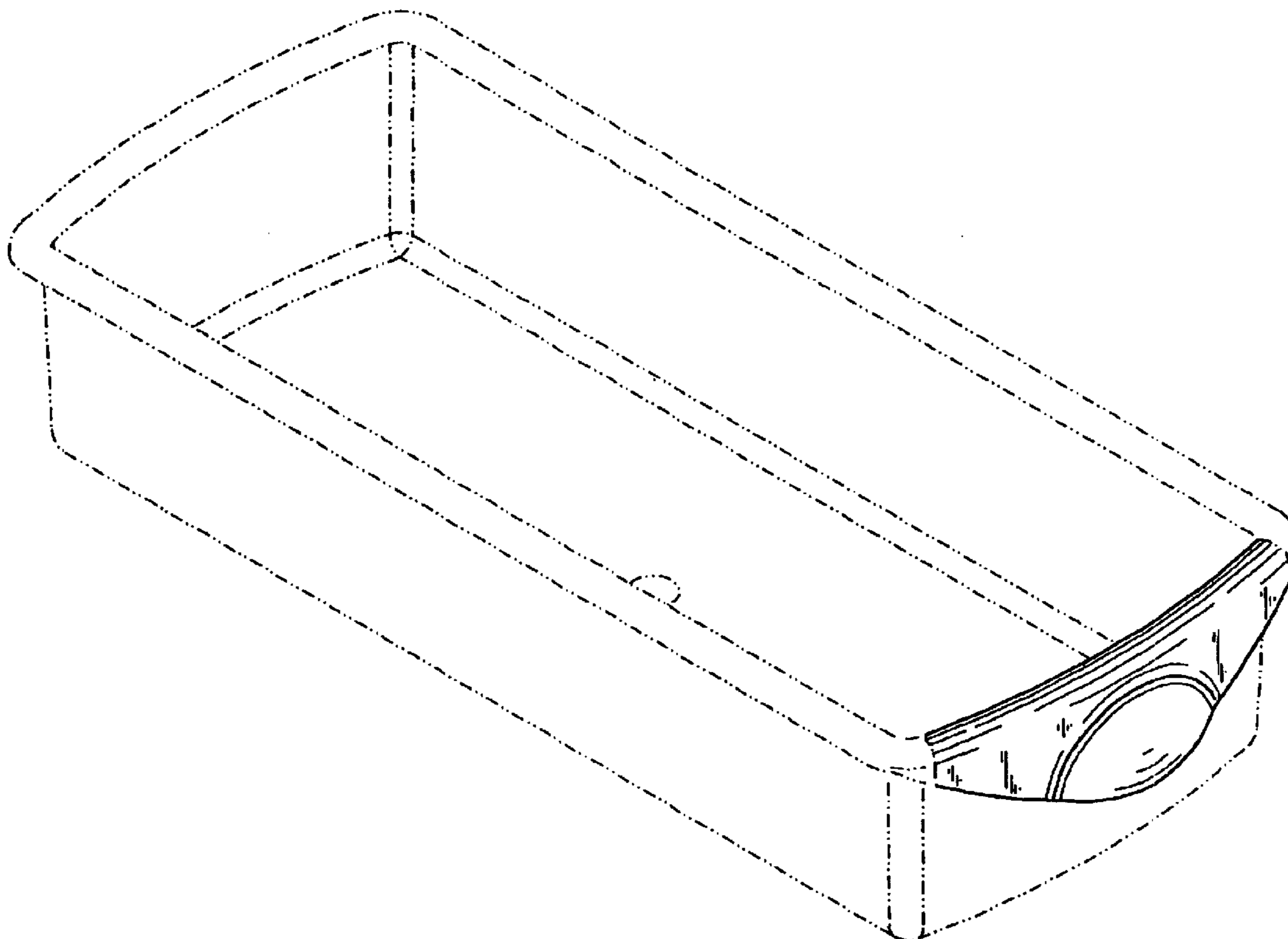
(57) **CLAIM**

The ornamental design for a refrigerator storage bin, as shown and described.

**DESCRIPTION**

FIG. 1 is a front perspective view of a refrigerator storage bin according to our new design;  
FIG. 2 is a front elevational view thereof;  
FIG. 3 is a left side elevational view thereof, the right side elevational view being a mirror image thereof;  
FIG. 4 is a top plan view thereof; and,  
FIG. 5 is a bottom plan view thereof.  
The broken line representations in the figures do not limit the claimed design.

**1 Claim, 3 Drawing Sheets**



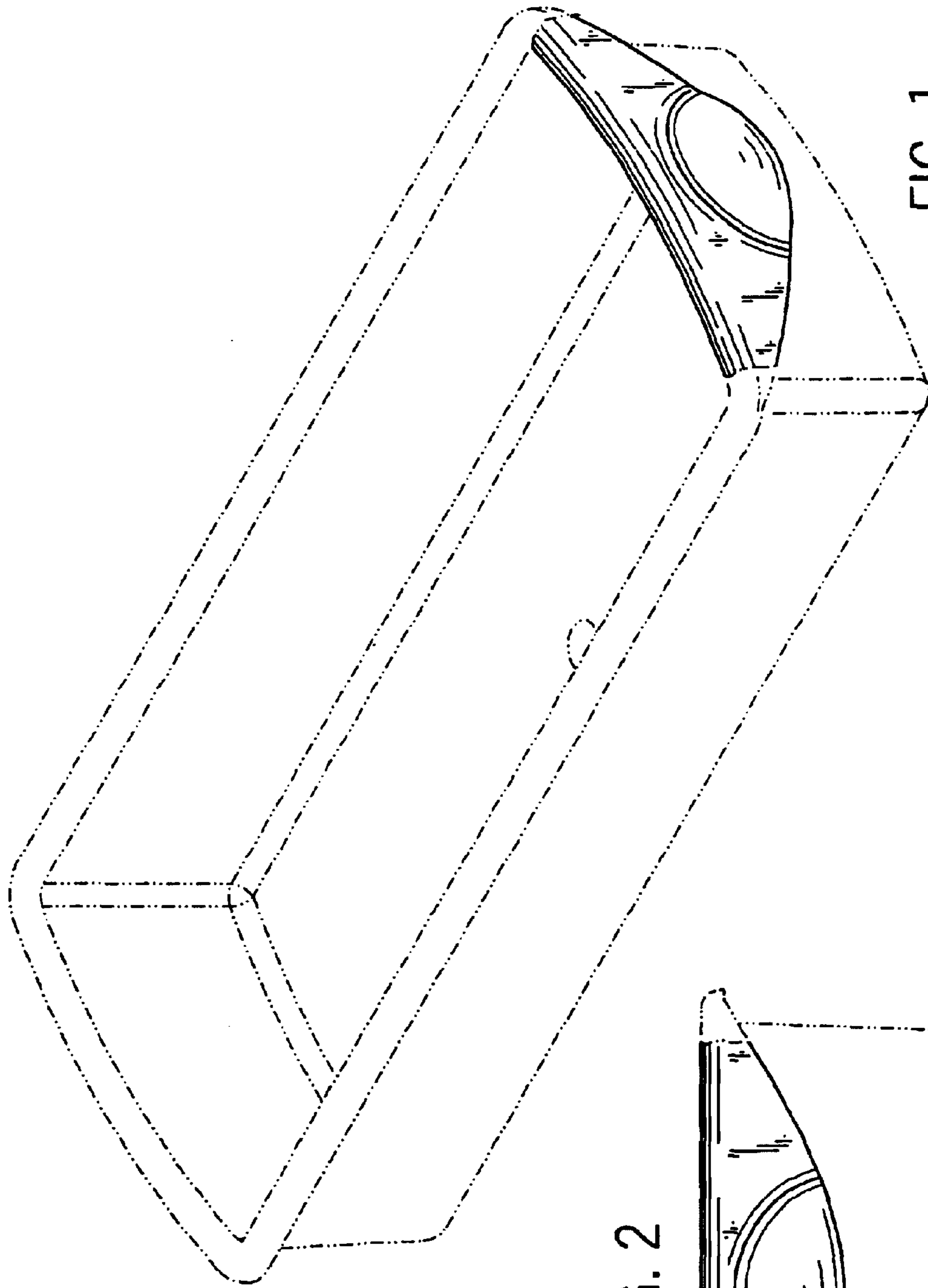


FIG. 1

FIG. 2

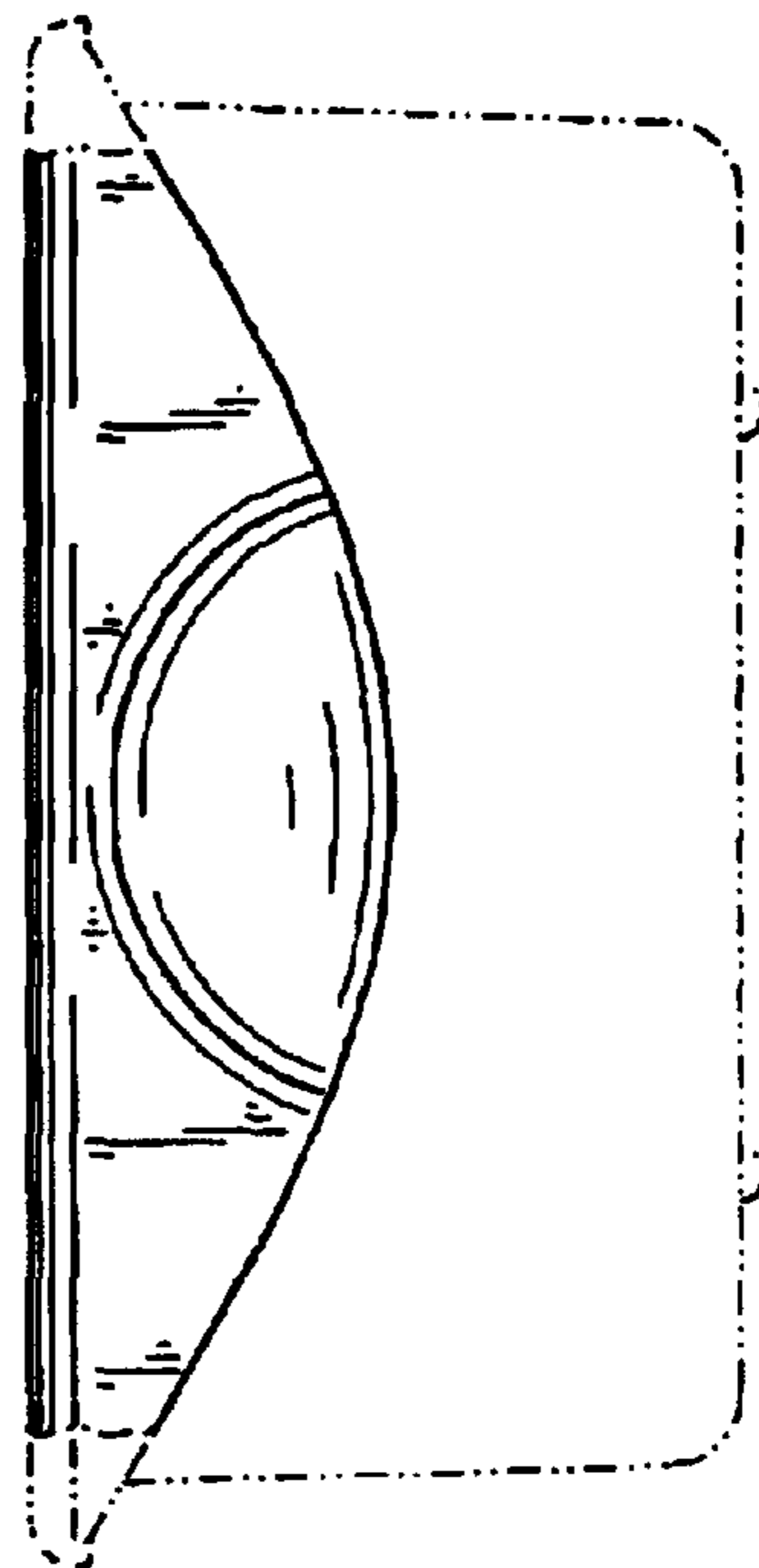


FIG. 3

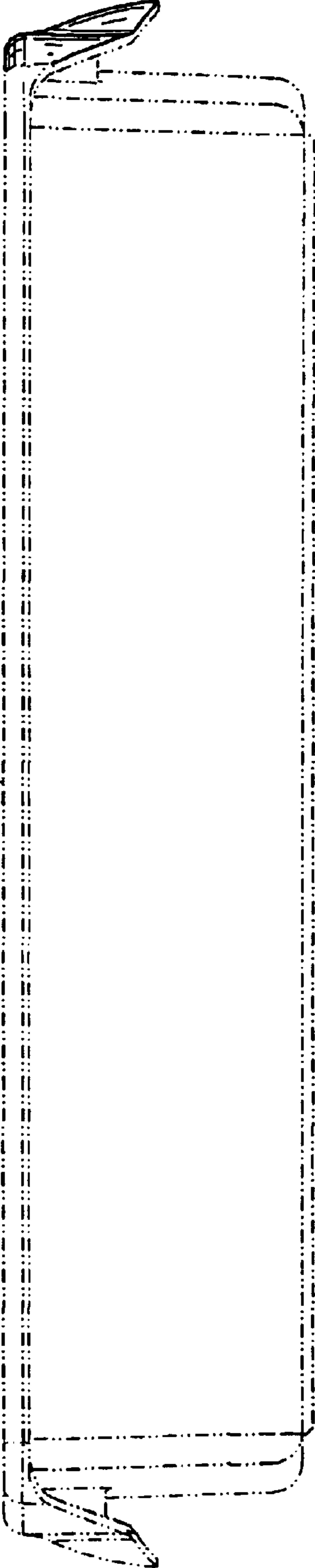


FIG. 4

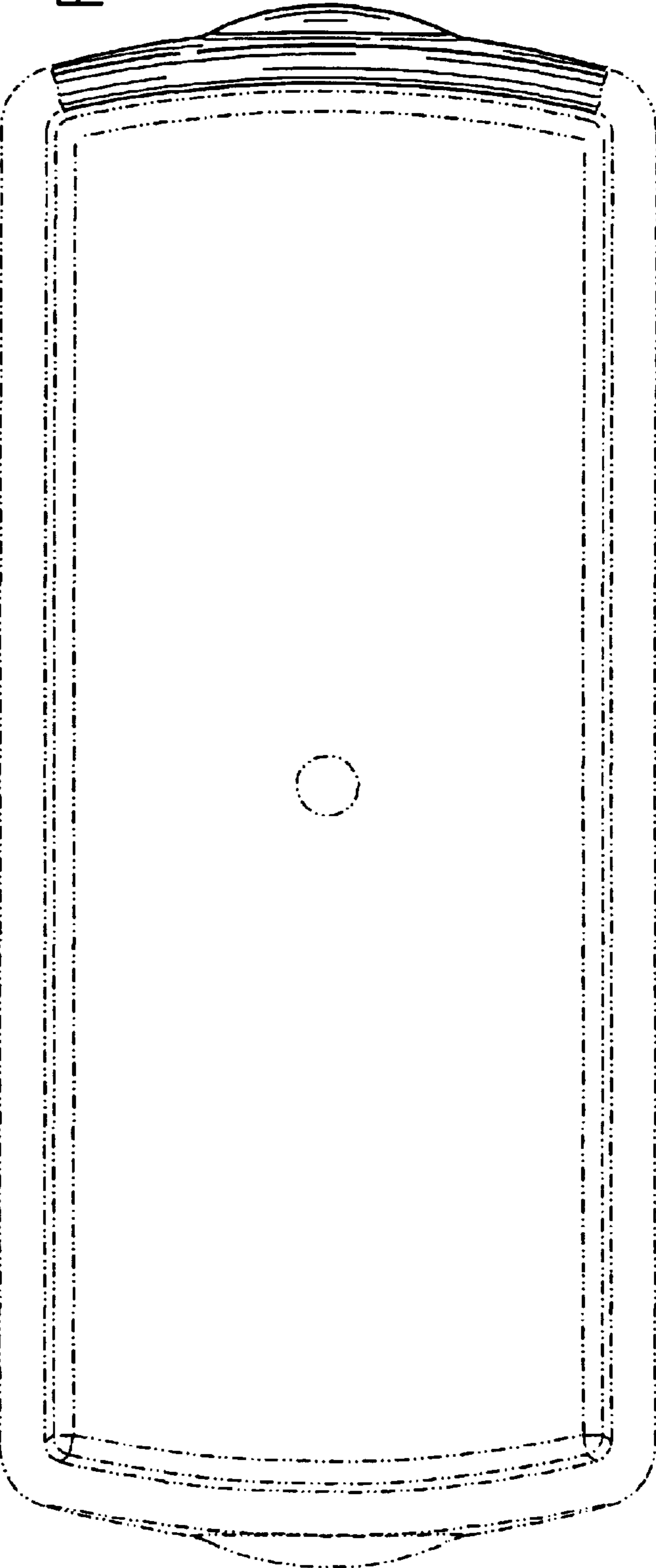


FIG. 5

