

US00D492327S1

(12) **United States Design Patent**  
**Albright et al.**

(10) **Patent No.:** **US D492,327 S**  
(45) **Date of Patent:** **\*\* Jun. 29, 2004**

(54) **SKID STEER LOADER WITH LIFT ARMS**

(75) Inventors: **Larry E. Albright**, Gwinner, ND (US);  
**James E. Asche**, Milnor, ND (US);  
**Dan Frederick**, Forman, ND (US);  
**Thomas J. Roan**, Fargo, ND (US);  
**Gary W. Weddle**, Bedford, TX (US)

(73) Assignee: **Clark Equipment Company**, Woodcliff Lake, NJ (US)

(\*\*) Term: **14 Years**

(21) Appl. No.: **29/185,214**

(22) Filed: **Jun. 24, 2003**

(51) **LOC (7) Cl.** ..... **15-03**

(52) **U.S. Cl.** ..... **D15/23**

(58) **Field of Search** ..... D15/10, 22-26;  
180/89.1, 89.12, 900; 414/680, 685, 686;  
293/126

(56) **References Cited**

**U.S. PATENT DOCUMENTS**

D314,389 S	2/1991	Lynnes et al.	.....	D15/25
D317,926 S	7/1991	Lynnes et al.	.....	D15/25
5,029,918 A	* 7/1991	Albright et al.	.....	293/126
D322,792 S	* 12/1991	Park	.....	D15/25
5,169,278 A	12/1992	Hoechst et al.	.....	414/685
5,511,932 A	4/1996	Todd et al.	.....	414/685

5,542,814 A	8/1996	Ashcroft et al.	.....	414/786
D376,372 S	* 12/1996	Little et al.	.....	D15/23
5,609,464 A	3/1997	Moffitt et al.	.....	414/685
D407,416 S	* 3/1999	Miller et al.	.....	D15/28
D419,568 S	* 1/2000	Baig et al.	.....	D15/25
D437,862 S	* 2/2001	Shaw	.....	D15/28
6,474,933 B1	11/2002	Hoechst et al.	.....	414/815

\* cited by examiner

*Primary Examiner*—Mitchell Siegel

(74) *Attorney, Agent, or Firm*—Westman, Champlin & Kelly, P.A.

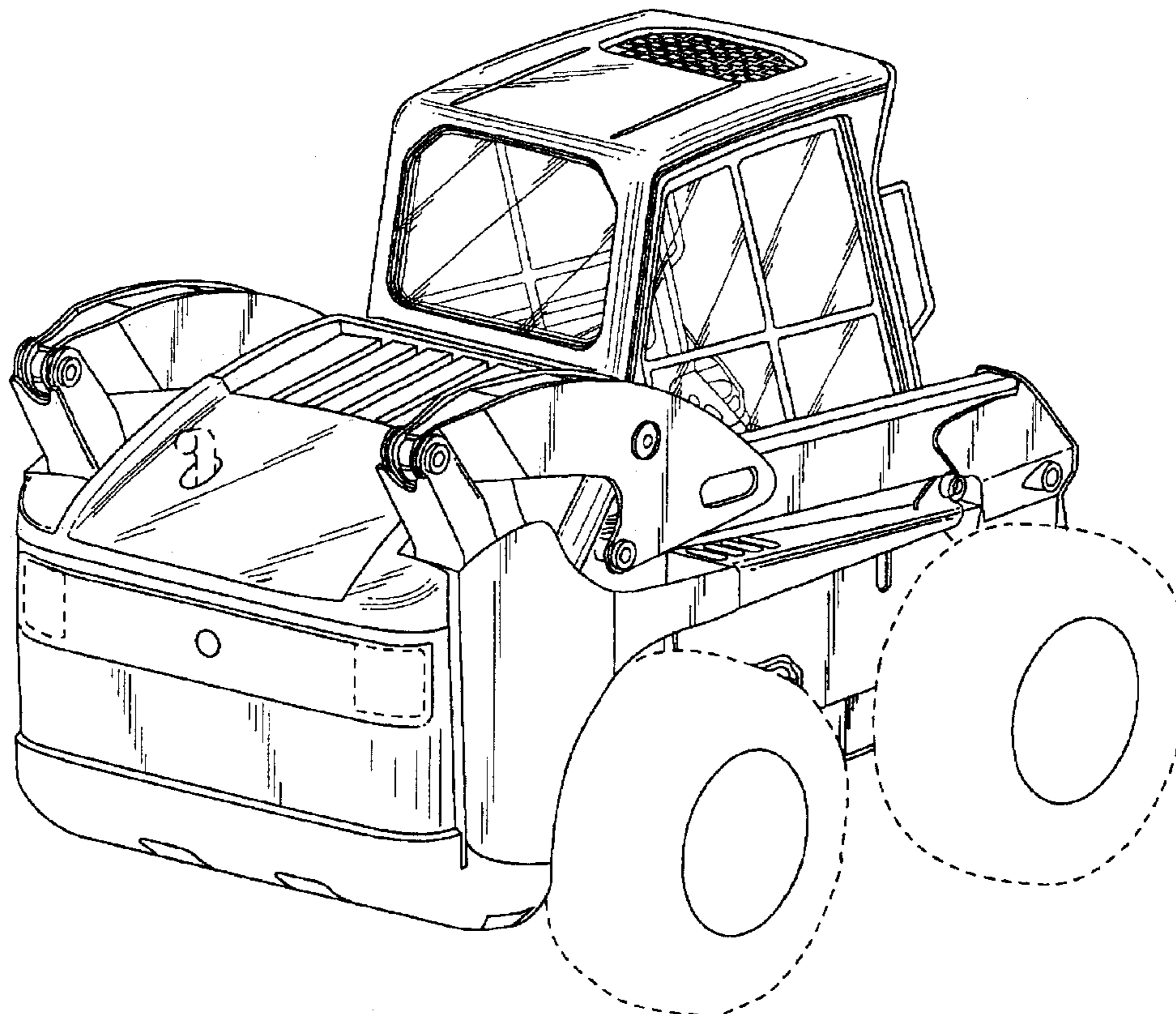
(57) **CLAIM**

The ornamental design for a skid steer loader with lift arms, as shown and described.

**DESCRIPTION**

FIG. 1 is a rear perspective view of a skid steer loader with extendable lift arms embodying our new design; FIG. 2 is a right side view thereof; FIG. 3 is a left side view thereof; FIG. 4 is a top plan view thereof; FIG. 5 is a rear view thereof; FIG. 6 is a front view thereof; and, FIG. 7 is a bottom plan view thereof. The broken line showing is for illustrative purposes only and forms no part of the claimed design.

**1 Claim, 7 Drawing Sheets**



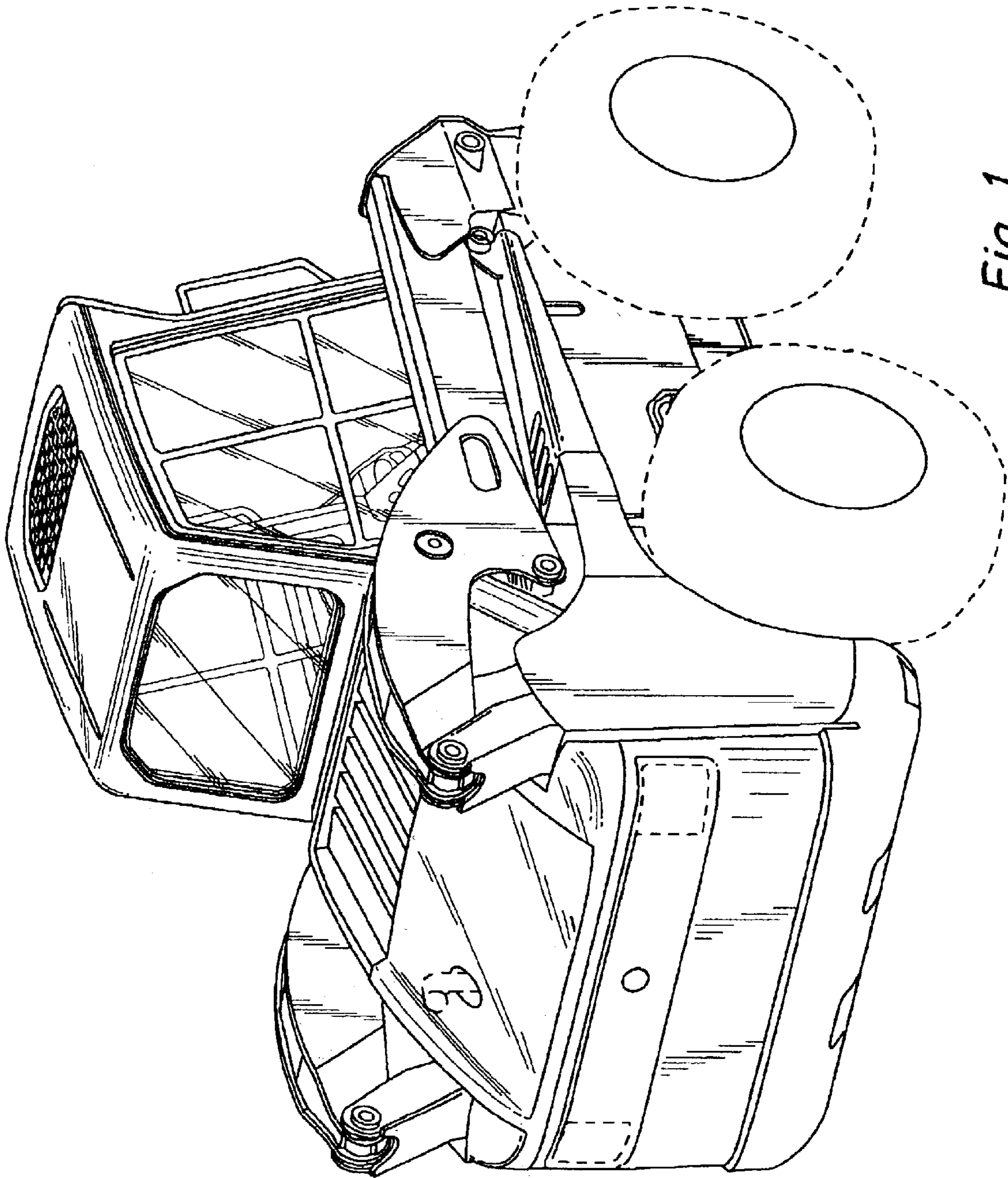


Fig. 1

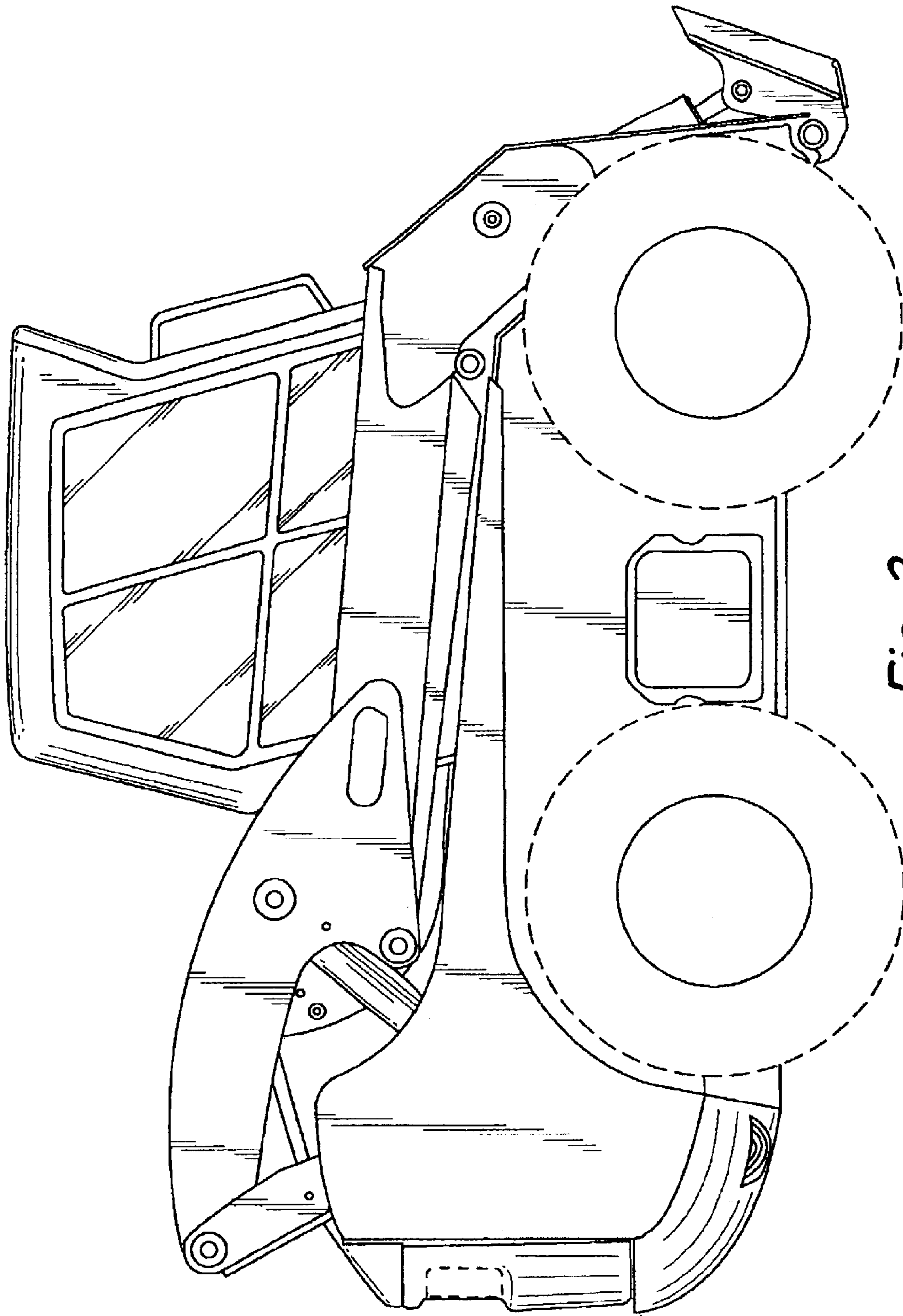


Fig. 2

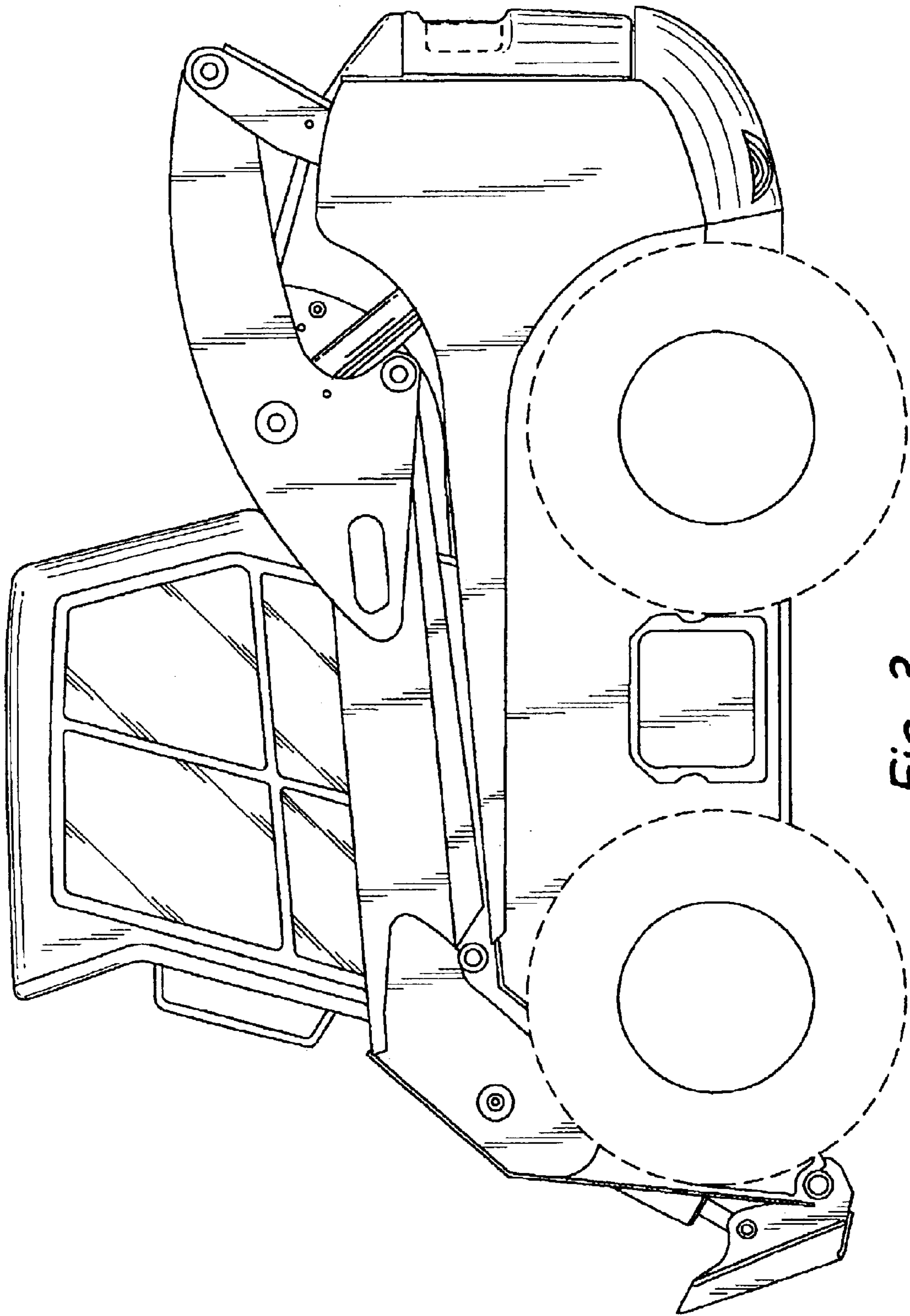


Fig. 3

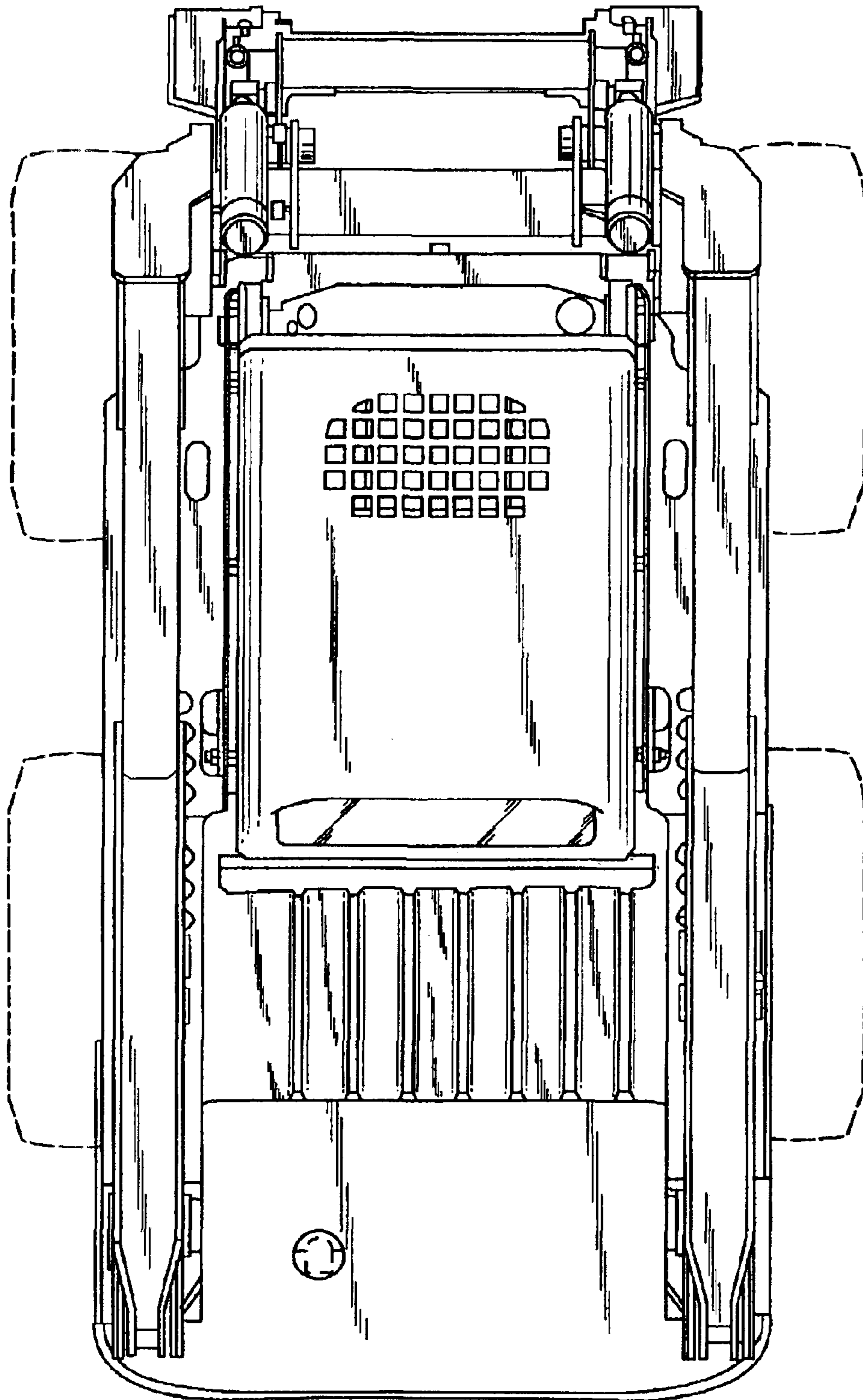
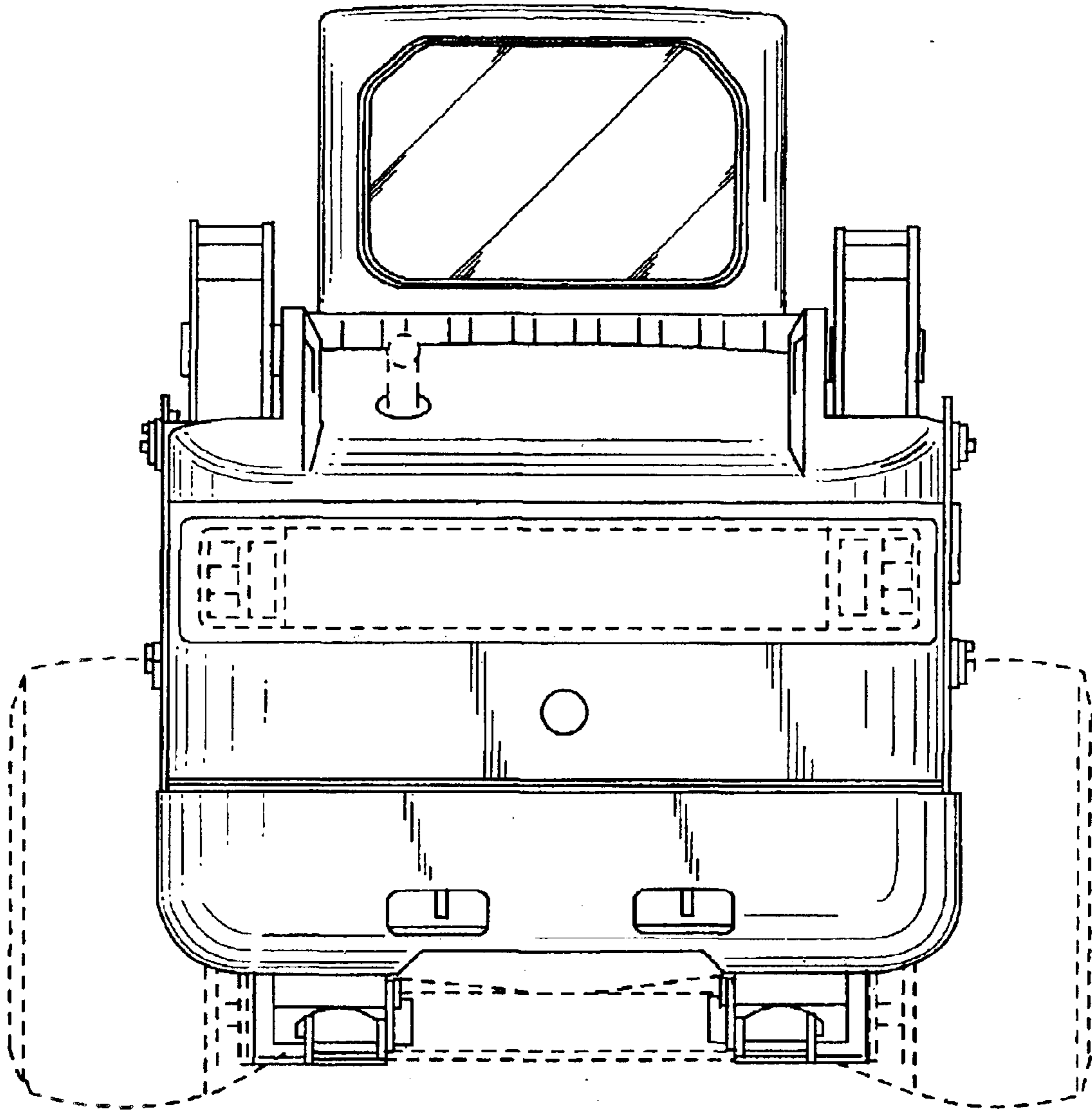
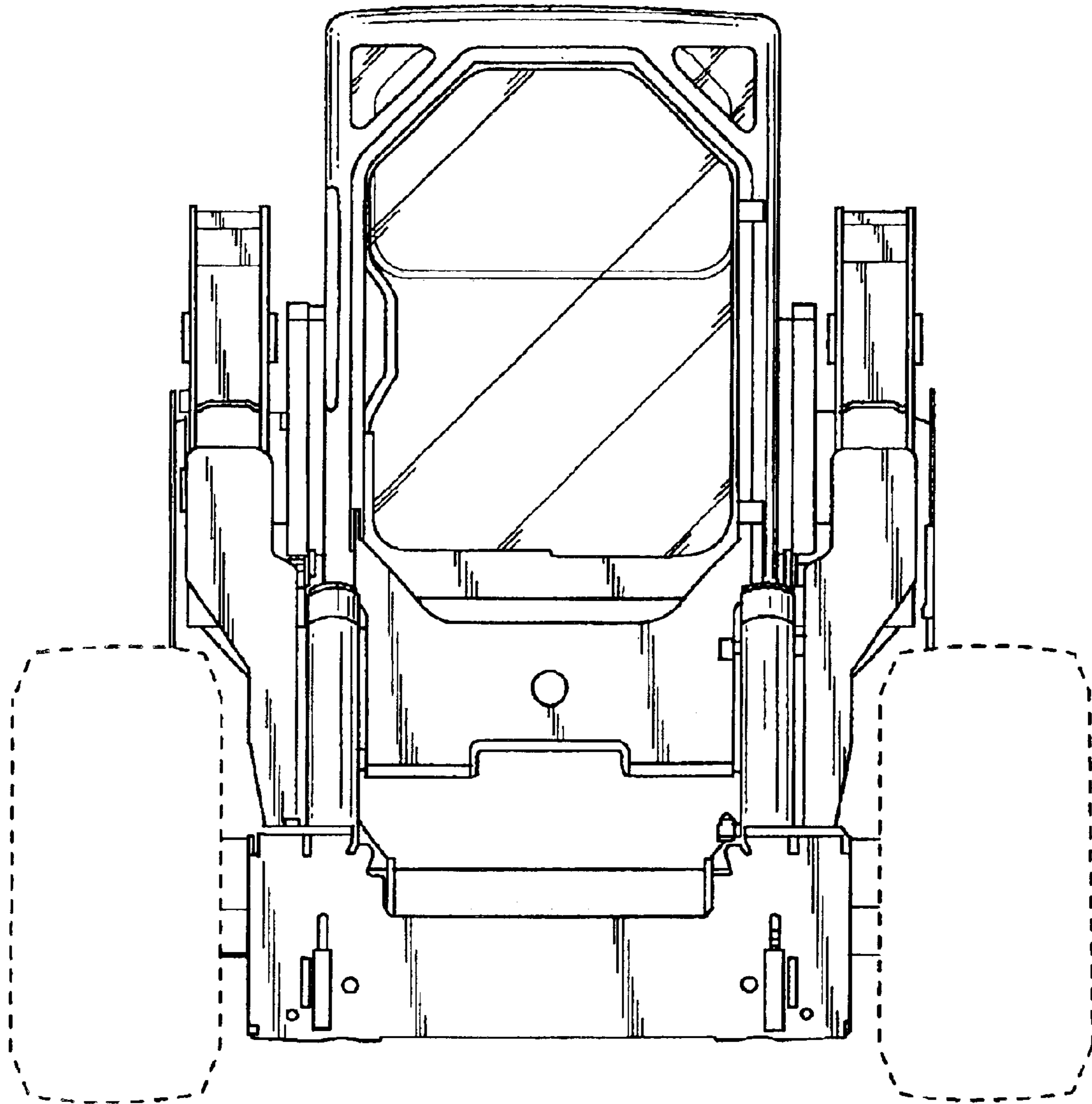


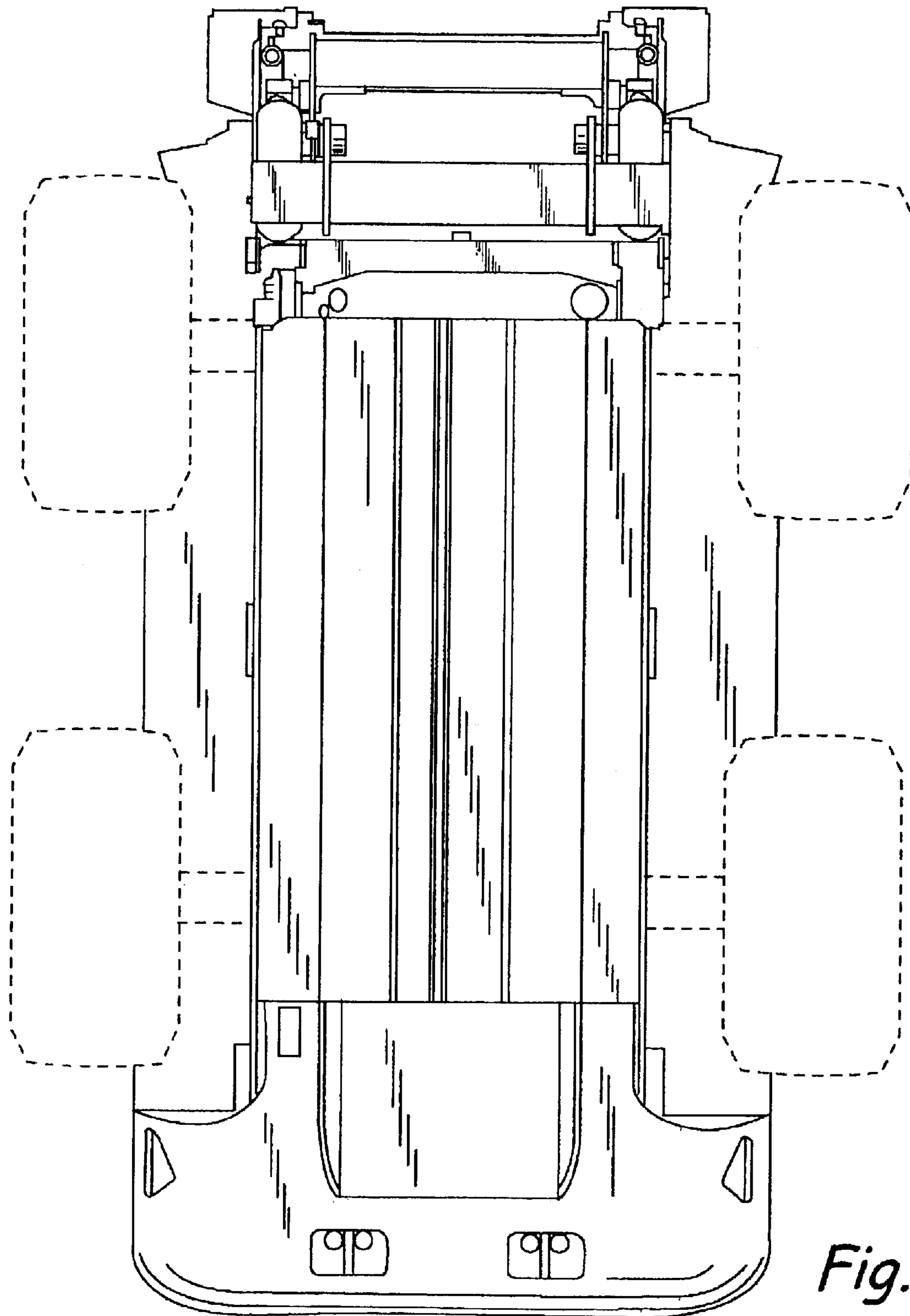
Fig. 4



*Fig. 5*



*Fig. 6*



*Fig. 7*