

US00D492326S1

(12) **United States Design Patent**
Hsiao

(10) **Patent No.:** **US D492,326 S**
(45) **Date of Patent:** **** Jun. 29, 2004**

(54) **AIR COMPRESSOR**

(76) Inventor: **Eming Hsiao**, No. 427, Sec. 2,
Doou-Chung Rd., Tien-Chung,
Chang-Hwa (TW)

(**) Term: **14 Years**

(21) Appl. No.: **29/187,591**

(22) Filed: **Aug. 4, 2003**

(51) **LOC (7) Cl.** **15-02**

(52) **U.S. Cl.** **D15/9**

(58) **Field of Search** D15/7-9; D23/231,
D23/232; 417/410.4, 359, 415, 410.3, 234,
229, 321, 265, 405

(56) **References Cited**

U.S. PATENT DOCUMENTS

D300,433 S	*	3/1989	Byar et al.	D15/9
D335,918 S	*	5/1993	Glansk	D23/245
D406,150 S	*	2/1999	Wang	D15/9
D436,602 S	*	1/2001	Wang	D15/9
D472,559 S	*	4/2003	Metz	D15/9
D478,914 S	*	8/2003	Wong	D15/9

D479,248 S * 9/2003 Gist et al. D15/9

* cited by examiner

Primary Examiner—Ralf Seifert

(74) *Attorney, Agent, or Firm*—Jackson Walker LLP

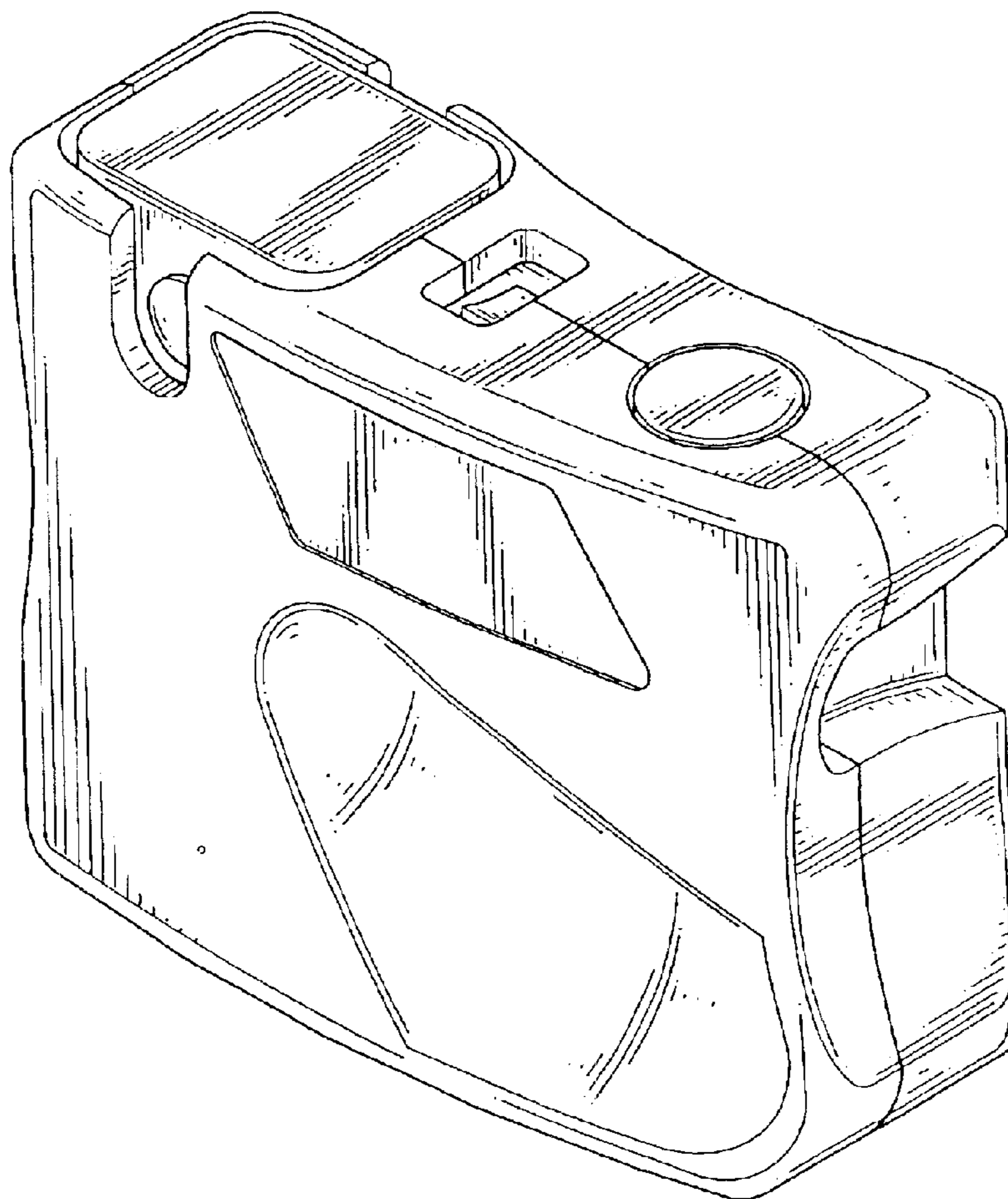
(57) **CLAIM**

The ornamental design for an air compressor, as shown and described.

DESCRIPTION

FIG. 1 is a front-right-top perspective view of an air compressor, showing my new design;
FIG. 2 is a front elevational view thereof;
FIG. 3 is a rear elevational view thereof;
FIG. 4 is a left side elevational view thereof;
FIG. 5 is a right side elevational view thereof;
FIG. 6 is a top plan view thereof;
FIG. 7 is a bottom plan view thereof; and,
FIG. 8 is a perspective view showing an embodiment of the claimed design, wherein the broken lines are shown for illustrative purposes only and form no part of the claimed design.

1 Claim, 5 Drawing Sheets



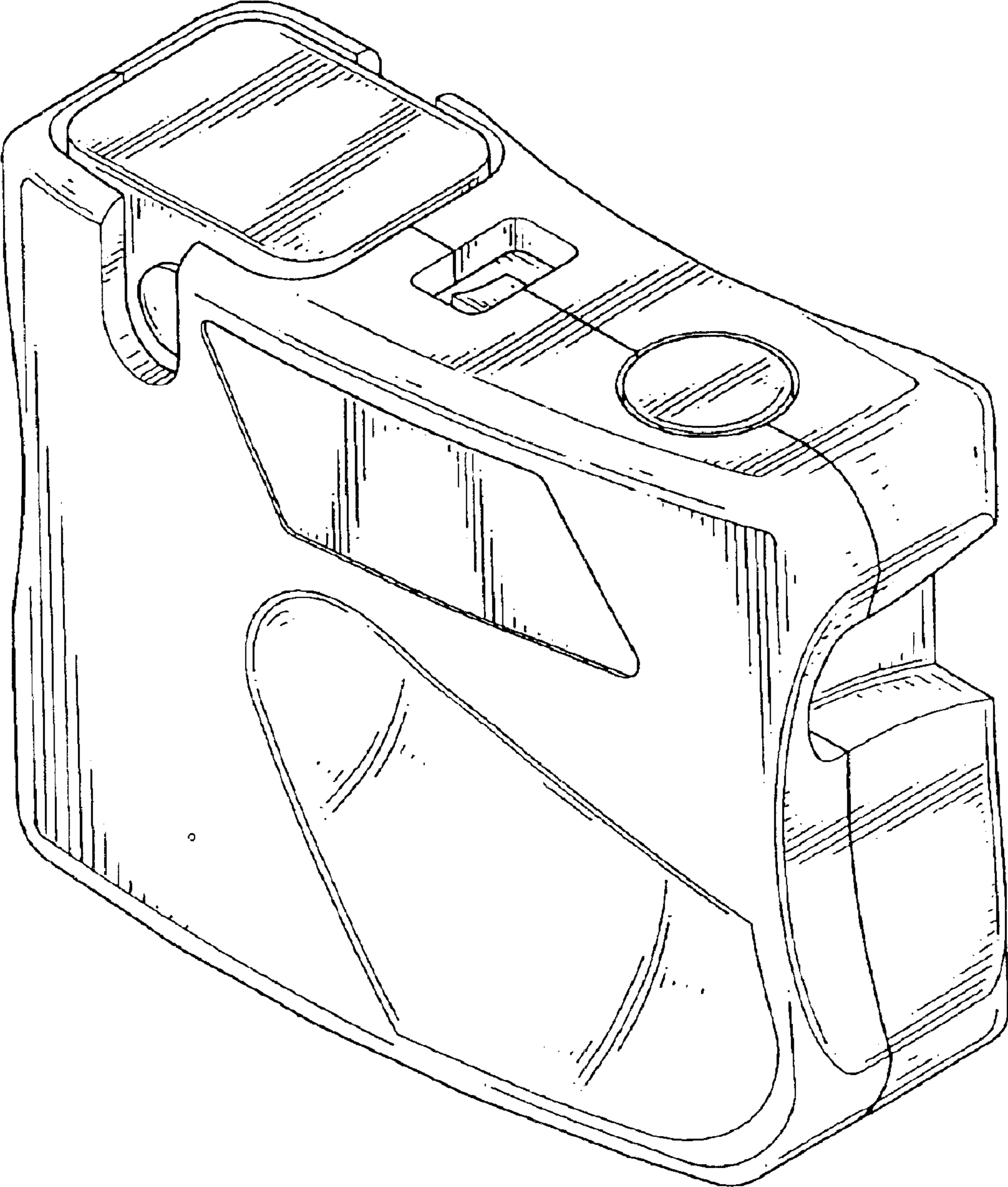


FIG.1

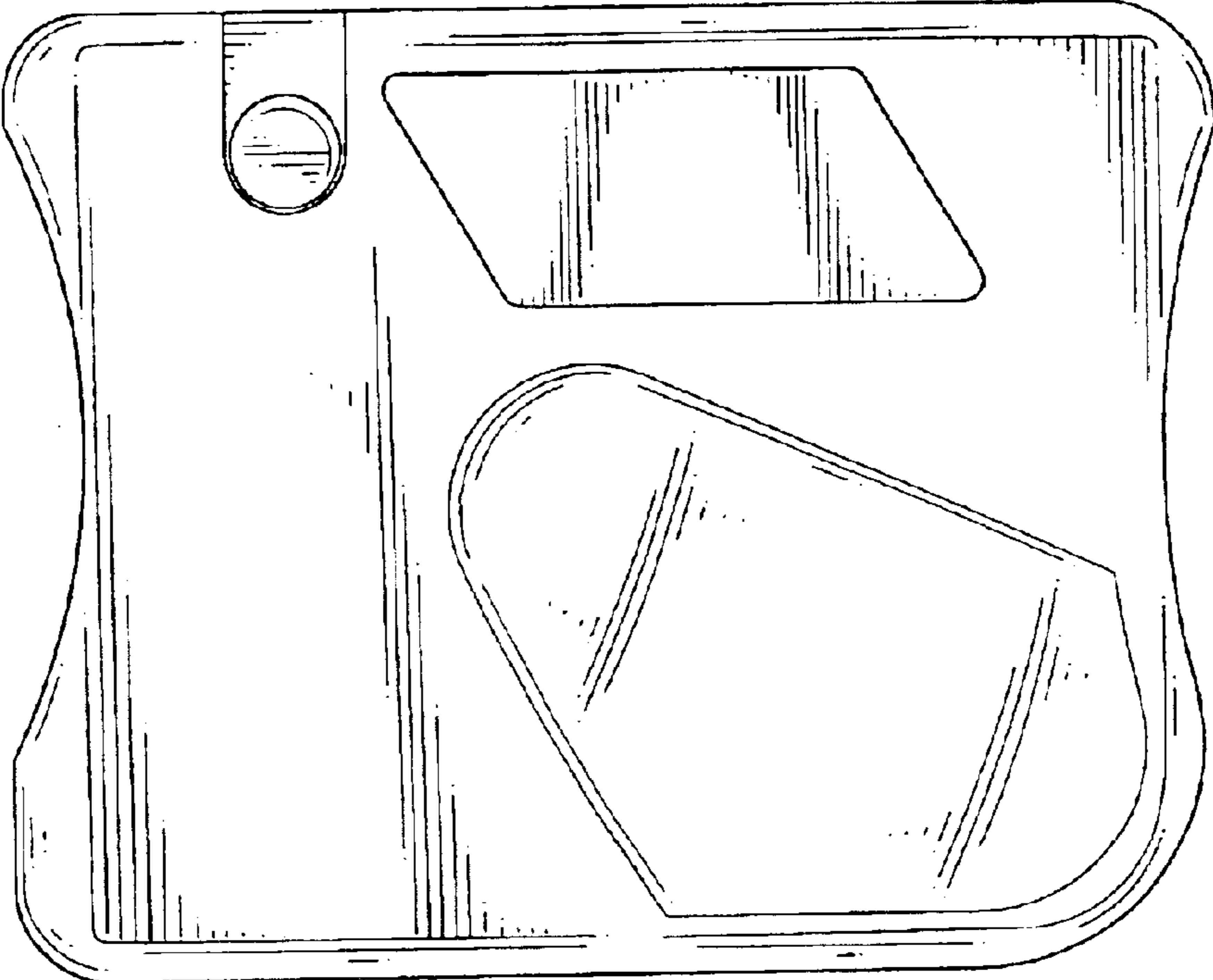


FIG.2

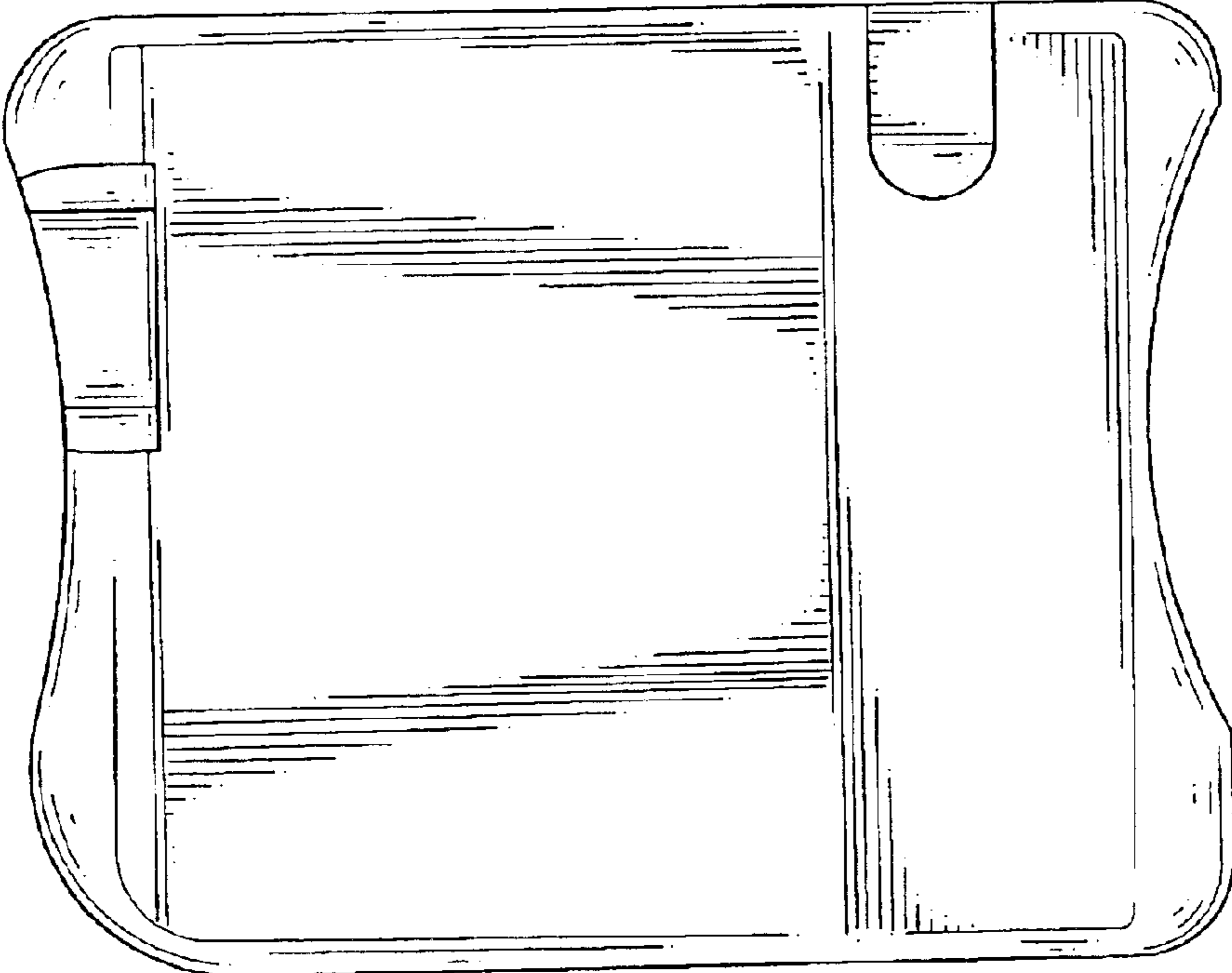


FIG.3

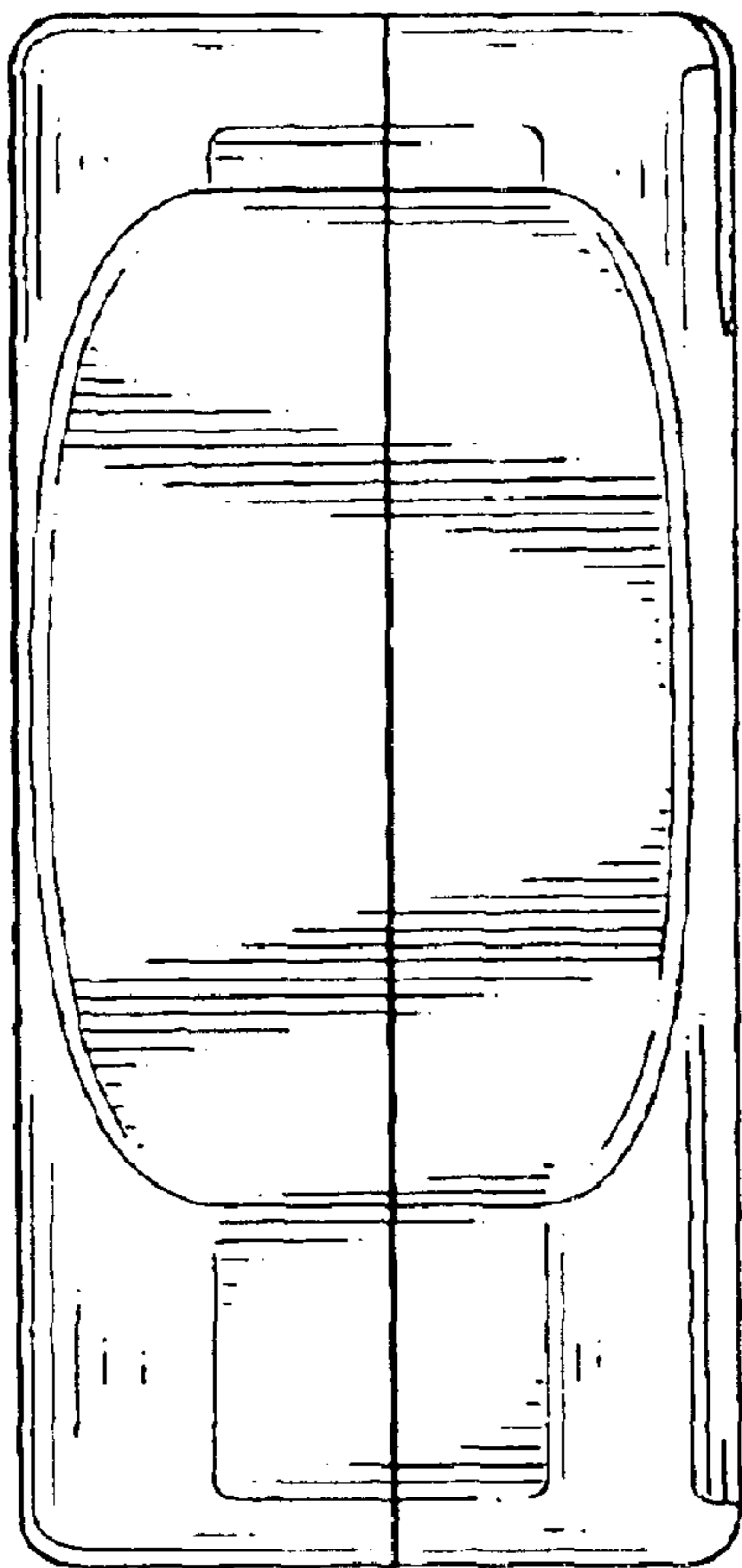


FIG. 4

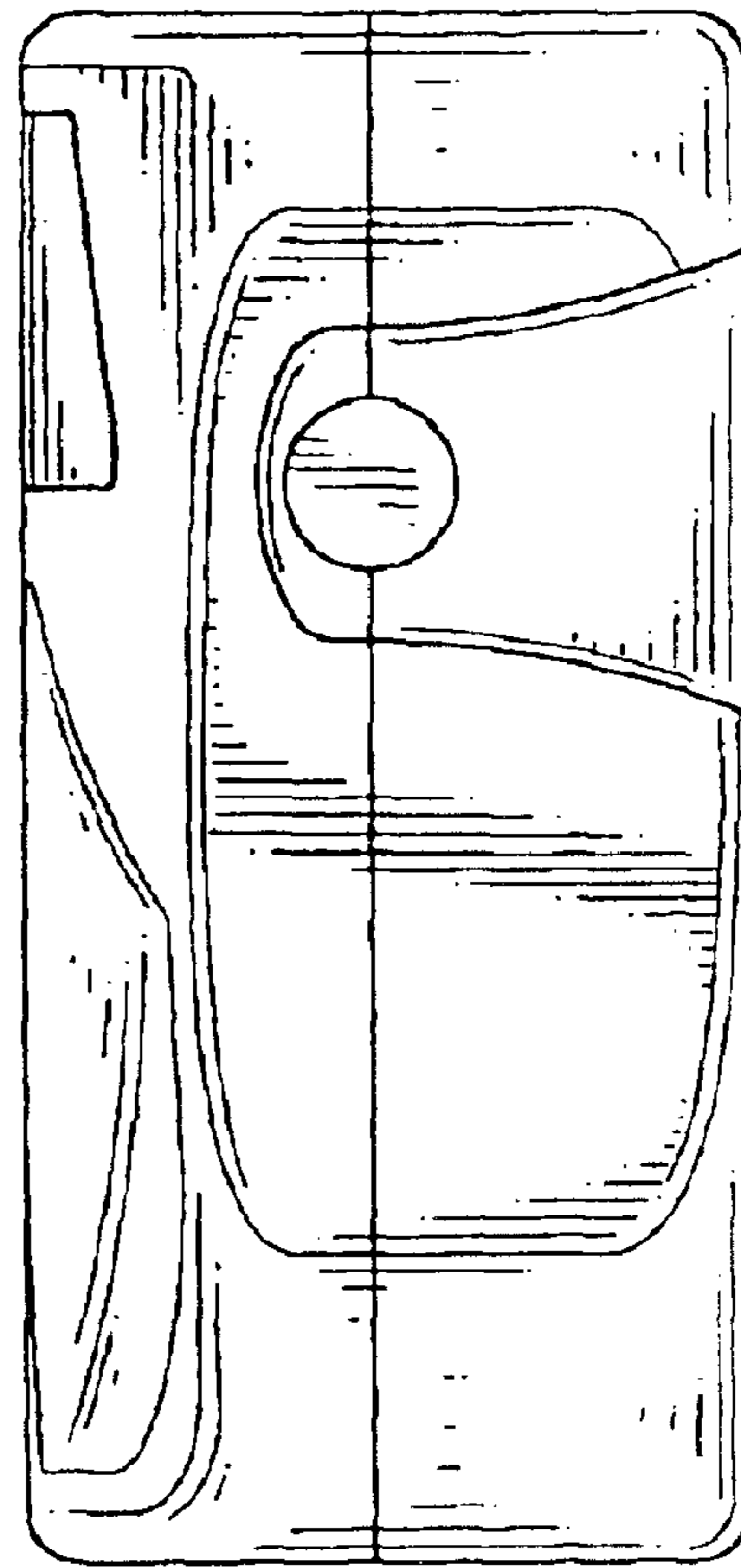


FIG. 5

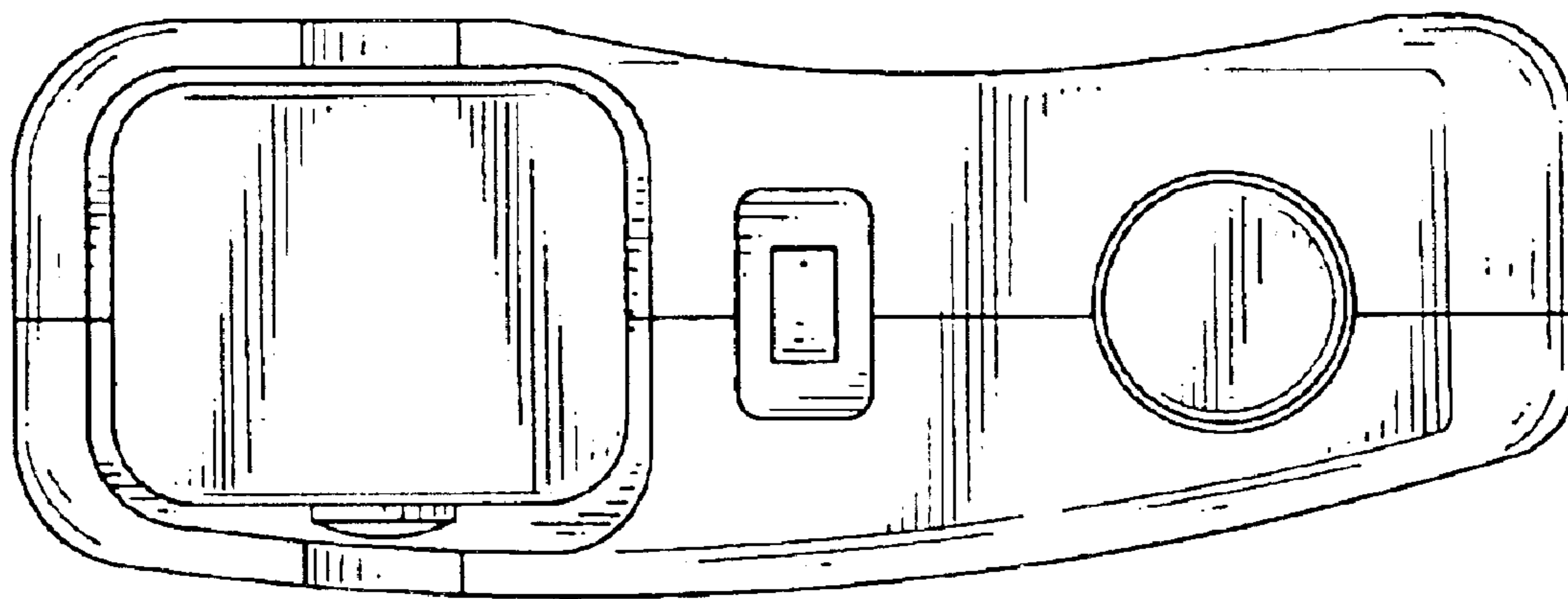


FIG. 6

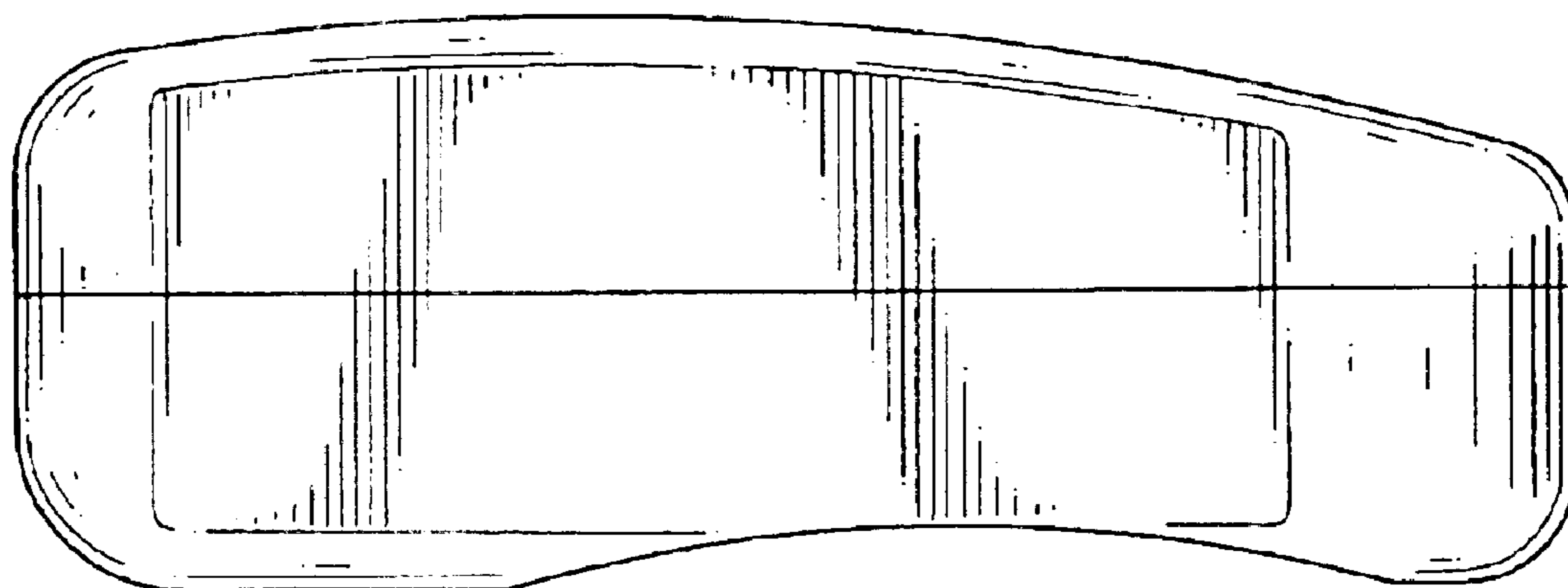


FIG. 7

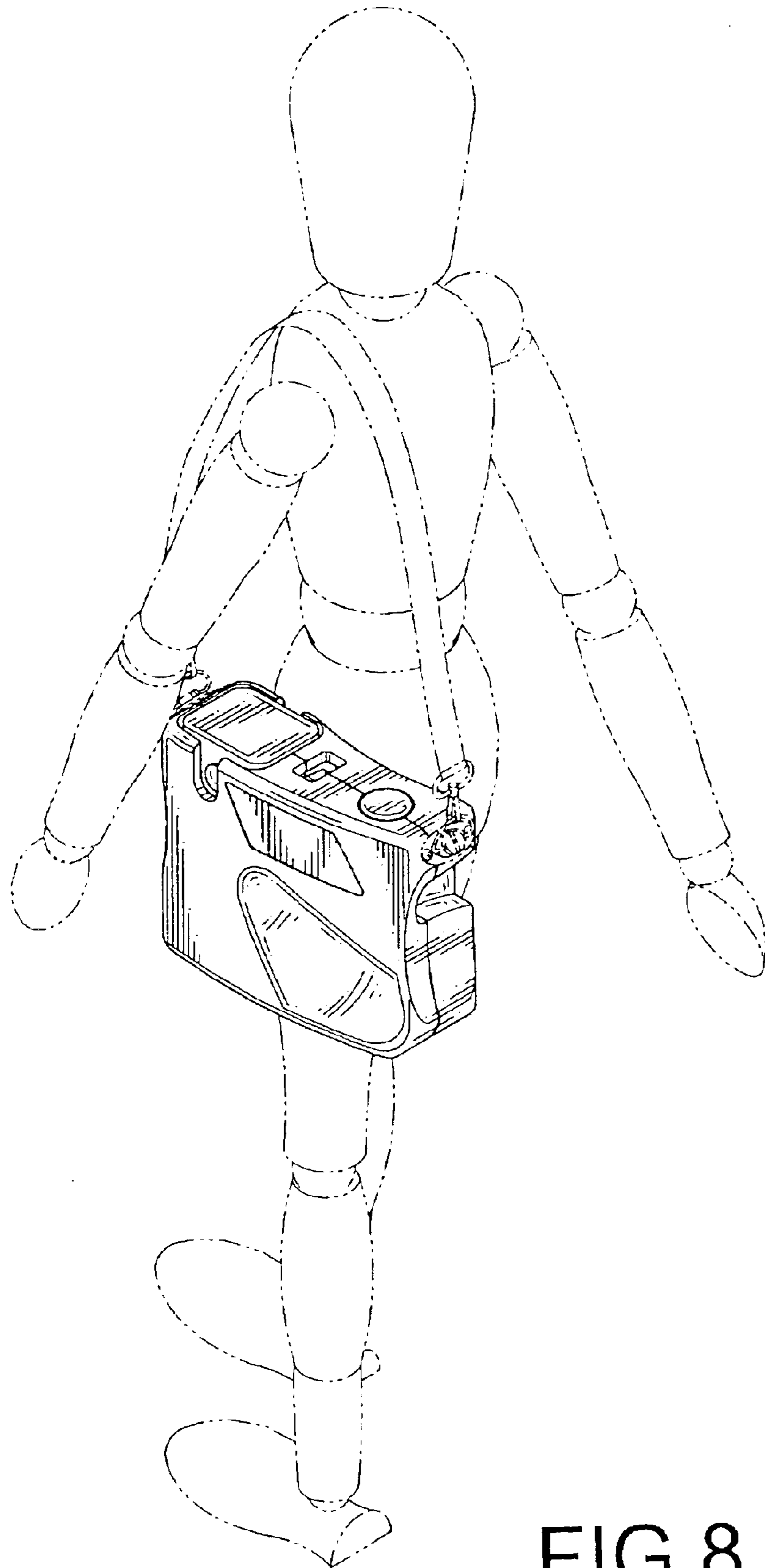


FIG.8