

US00D492324S1

(12) **United States Design Patent**
Stevens

(10) **Patent No.:** **US D492,324 S**
(45) **Date of Patent:** **** Jun. 29, 2004**

(54) **PUMP**

(75) **Inventor:** **Andrew Jonathon Stevens**, Flagstaff Hill (AU)

(73) **Assignee:** **F. F. Seeley Nominees Pty Ltd.**, St. Mary's (AU)

(**) **Term:** **14 Years**

(21) **Appl. No.:** **29/170,221**

(22) **Filed:** **Nov. 1, 2002**

(30) **Foreign Application Priority Data**

May 2, 2002 (AU) 1273/2002

(51) **LOC (7) Cl.** **15-01**

(52) **U.S. Cl.** **D15/7**

(58) **Field of Search** D15/7-9; D23/200;
417/68, 69, 63, 234, 223.15, 224.1, 423.1-423.3,
360, 540, 572; 401/146, 197, 203, 204,
218, 219, 207; 123/41.47, 41.44, 41.198 C;
192/84.93, 84.1, 84.96

(56) **References Cited**

U.S. PATENT DOCUMENTS

D372,251 S * 7/1996 Bohncke D15/7

D372,719 S * 8/1996 Jensen D15/7
6,007,303 A * 12/1999 Schmidt 417/223
D450,327 S * 11/2001 Mori et al. D15/7
D464,362 S * 10/2002 Tsai D15/7
D469,110 S * 1/2003 Tseng D15/7
D471,561 S * 3/2003 Kohsaka D15/7

* cited by examiner

Primary Examiner—Melody N. Brown

(74) *Attorney, Agent, or Firm*—Watts, Hoffmann Co., LPA

(57) **CLAIM**

The ornamental design for a pump, as shown and described.

DESCRIPTION

FIG. 1 is a perspective view of the pump of the present invention;

FIG. 2 is a front elevational view thereof;

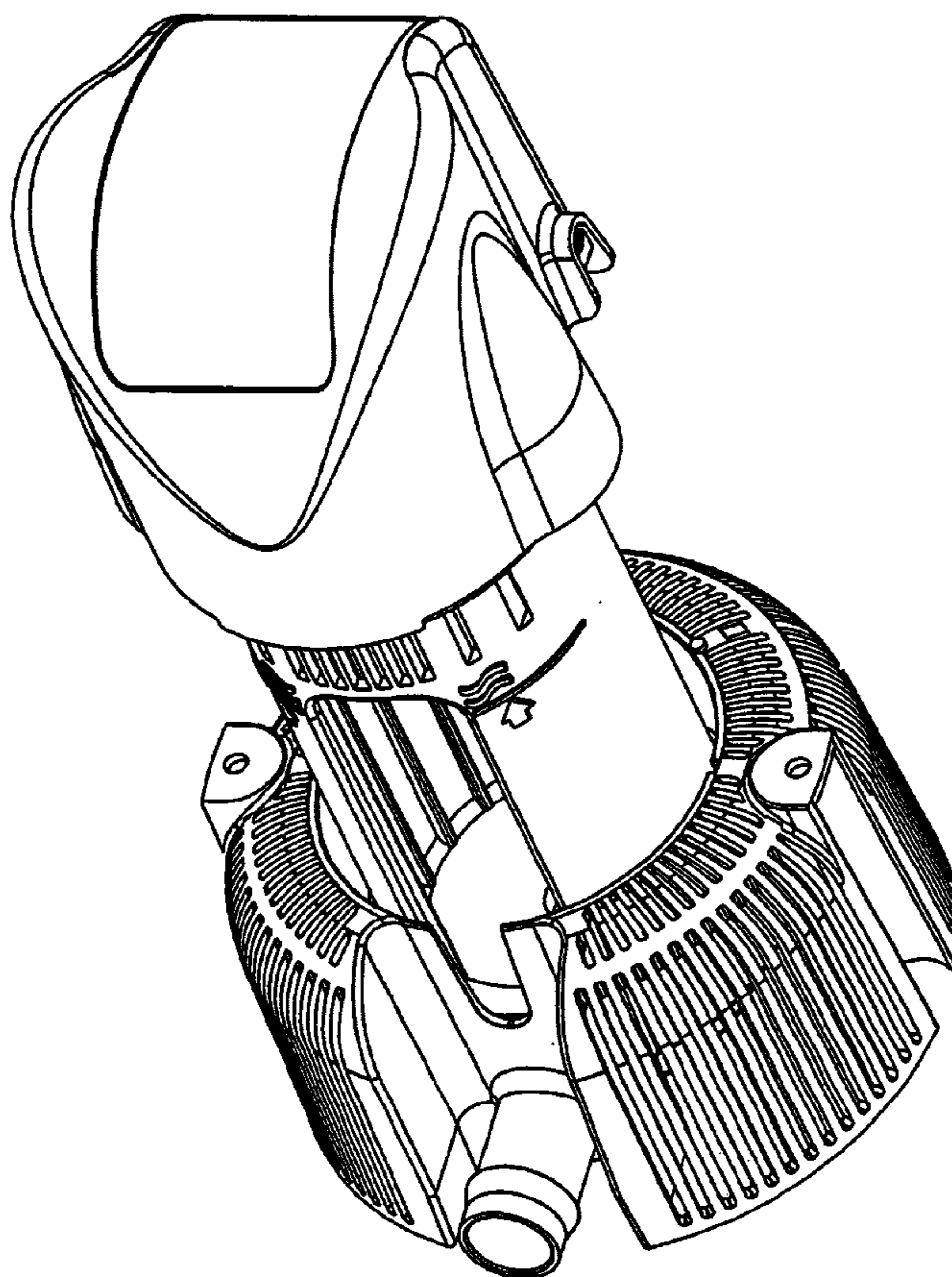
FIG. 3 is a side elevational view of the right side of the pump as seen in FIG. 1;

FIG. 4 is a left side elevational view of the pump as seen in FIG. 1;

FIG. 5 is a top plan view thereof; and,

FIG. 6 is a bottom view thereof.

1 Claim, 6 Drawing Sheets



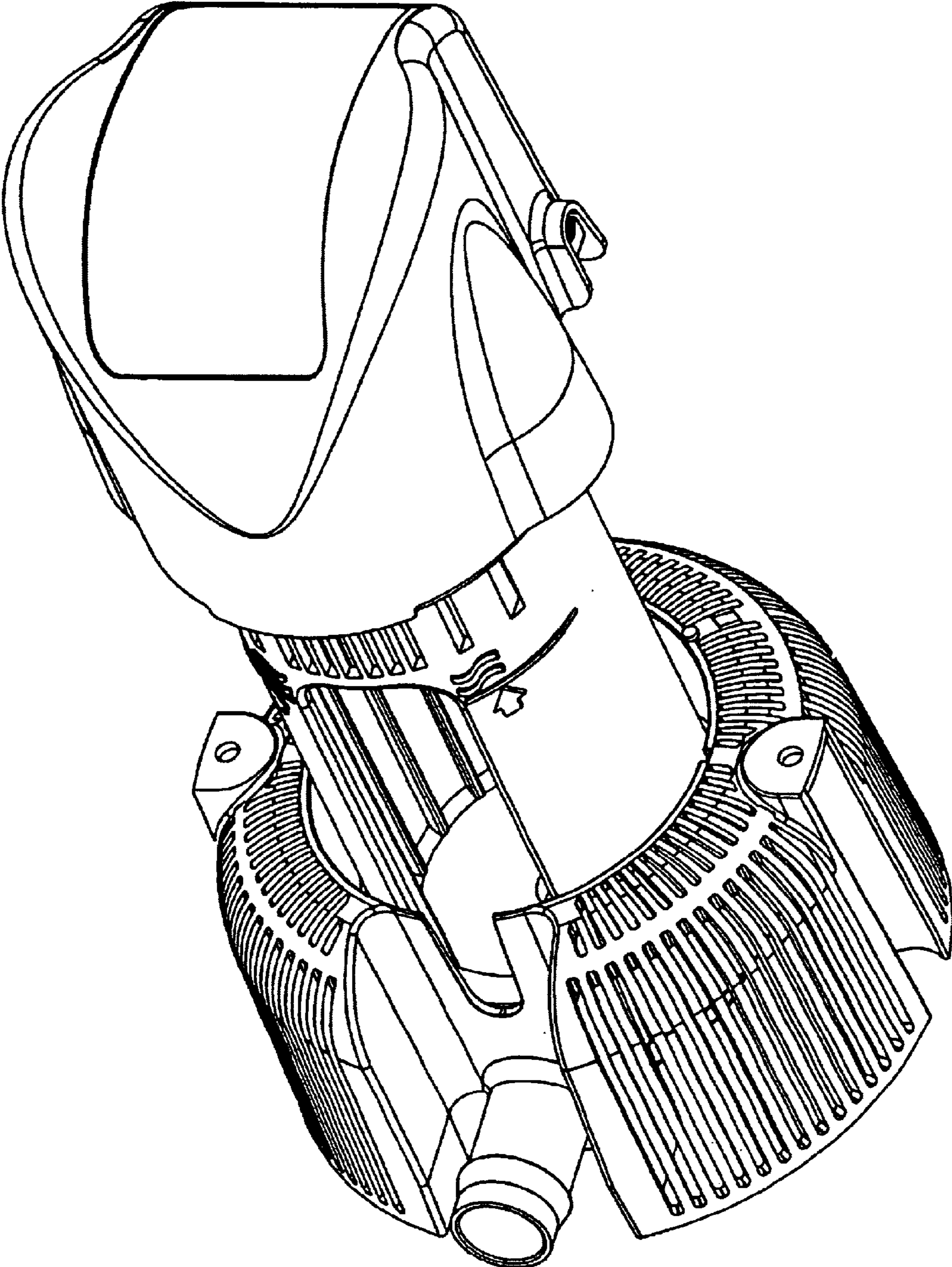


FIGURE 1

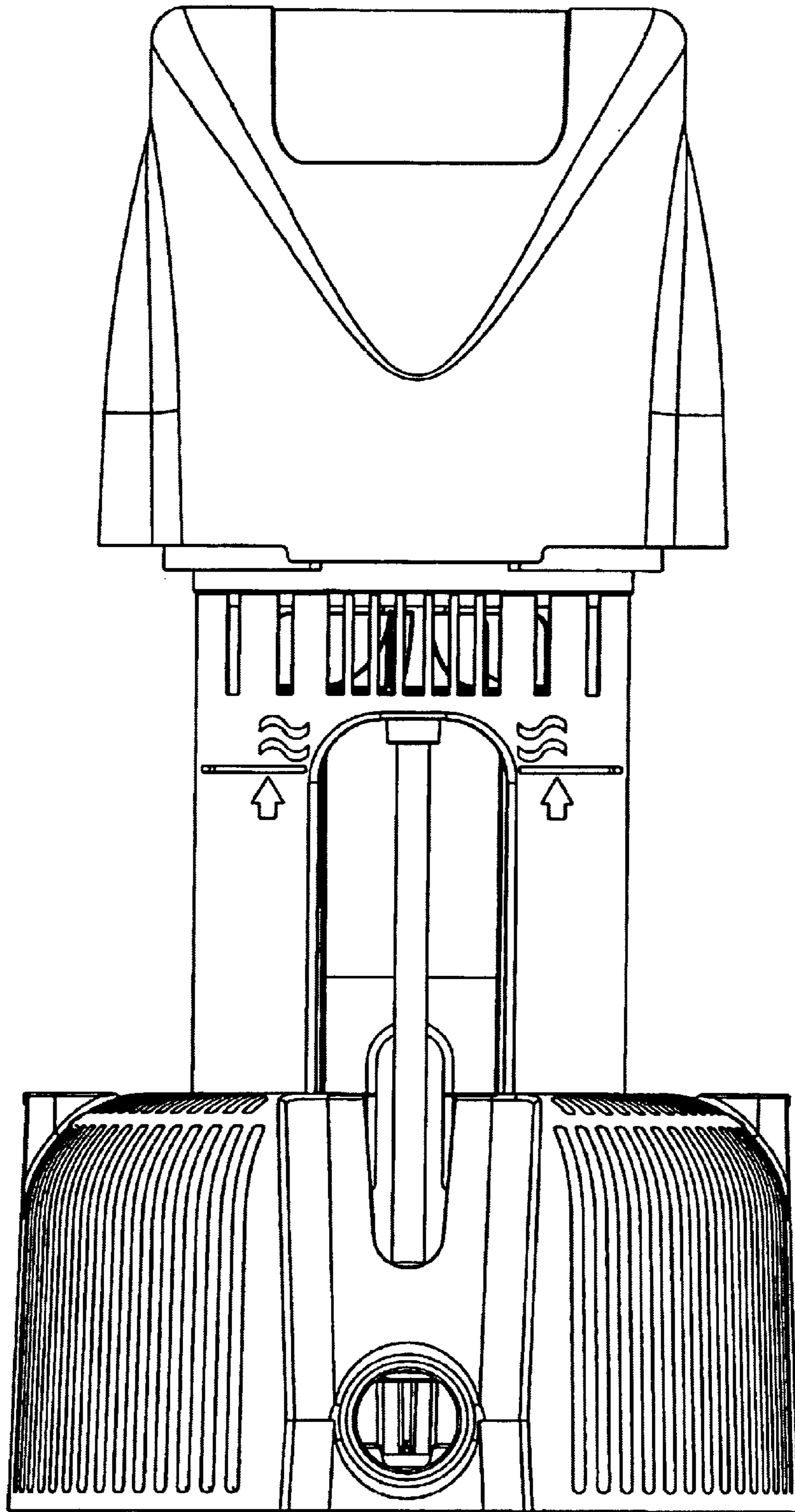


FIGURE 2

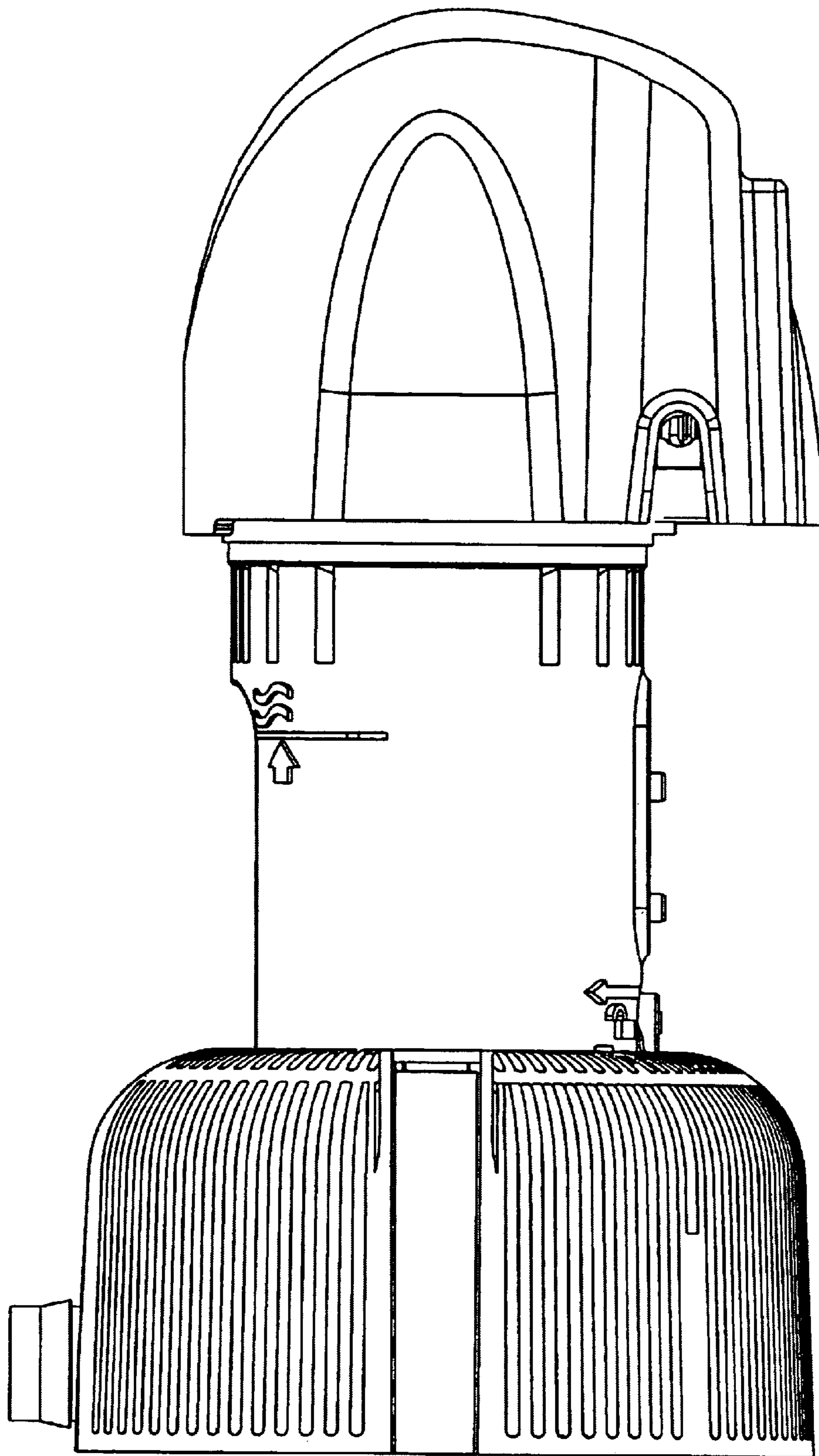


FIGURE 3

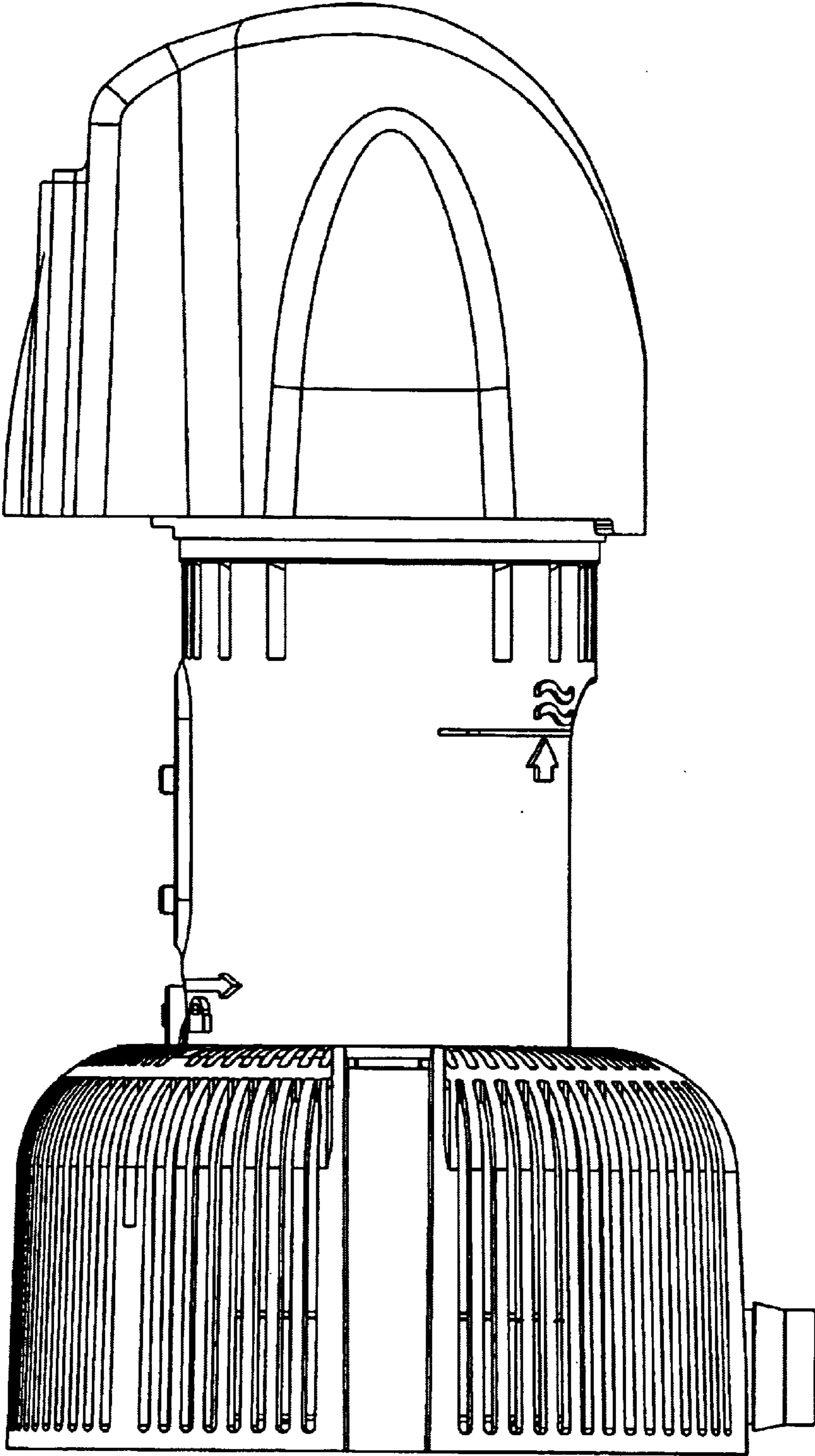


FIGURE 4

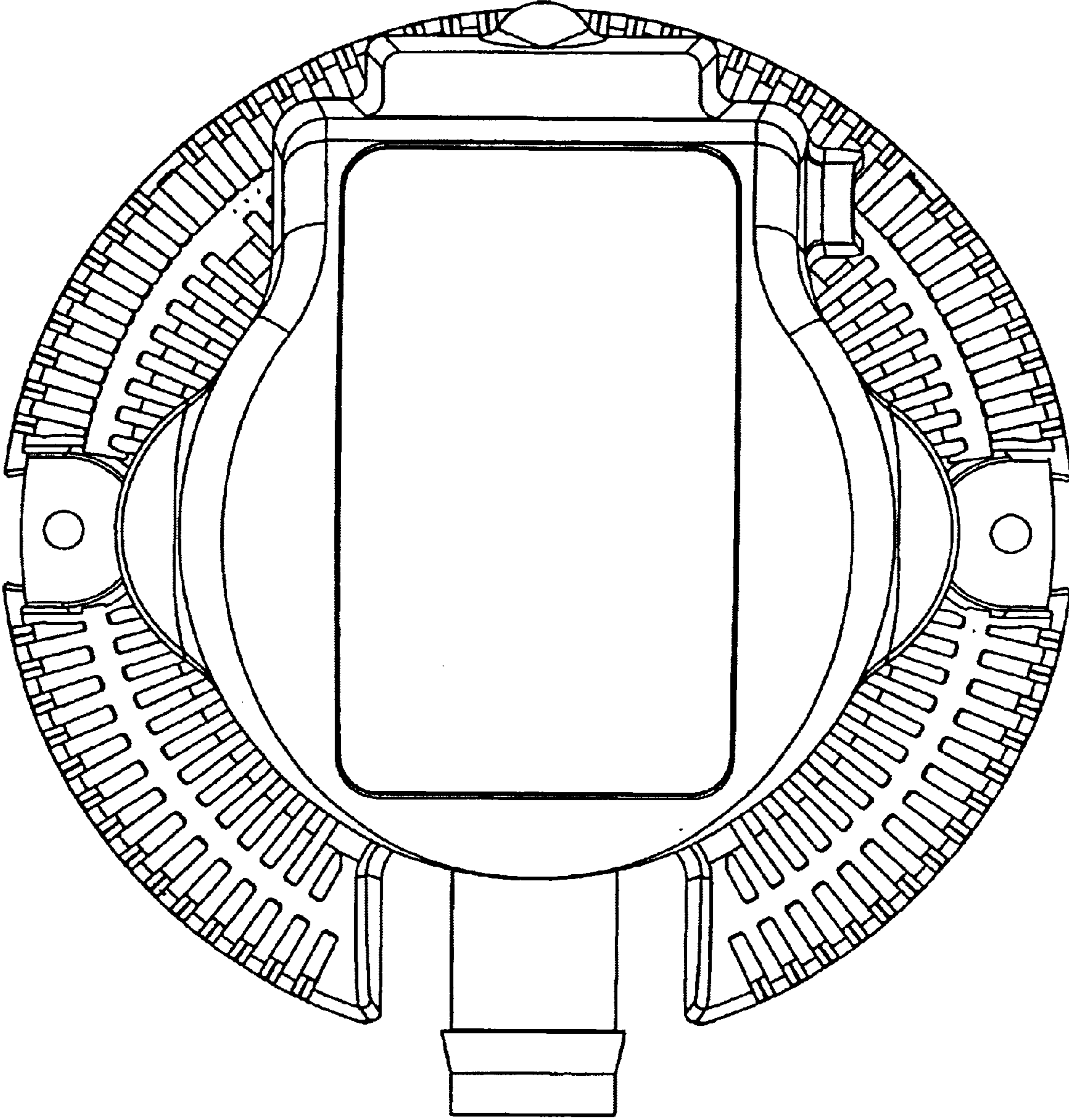


FIGURE 5

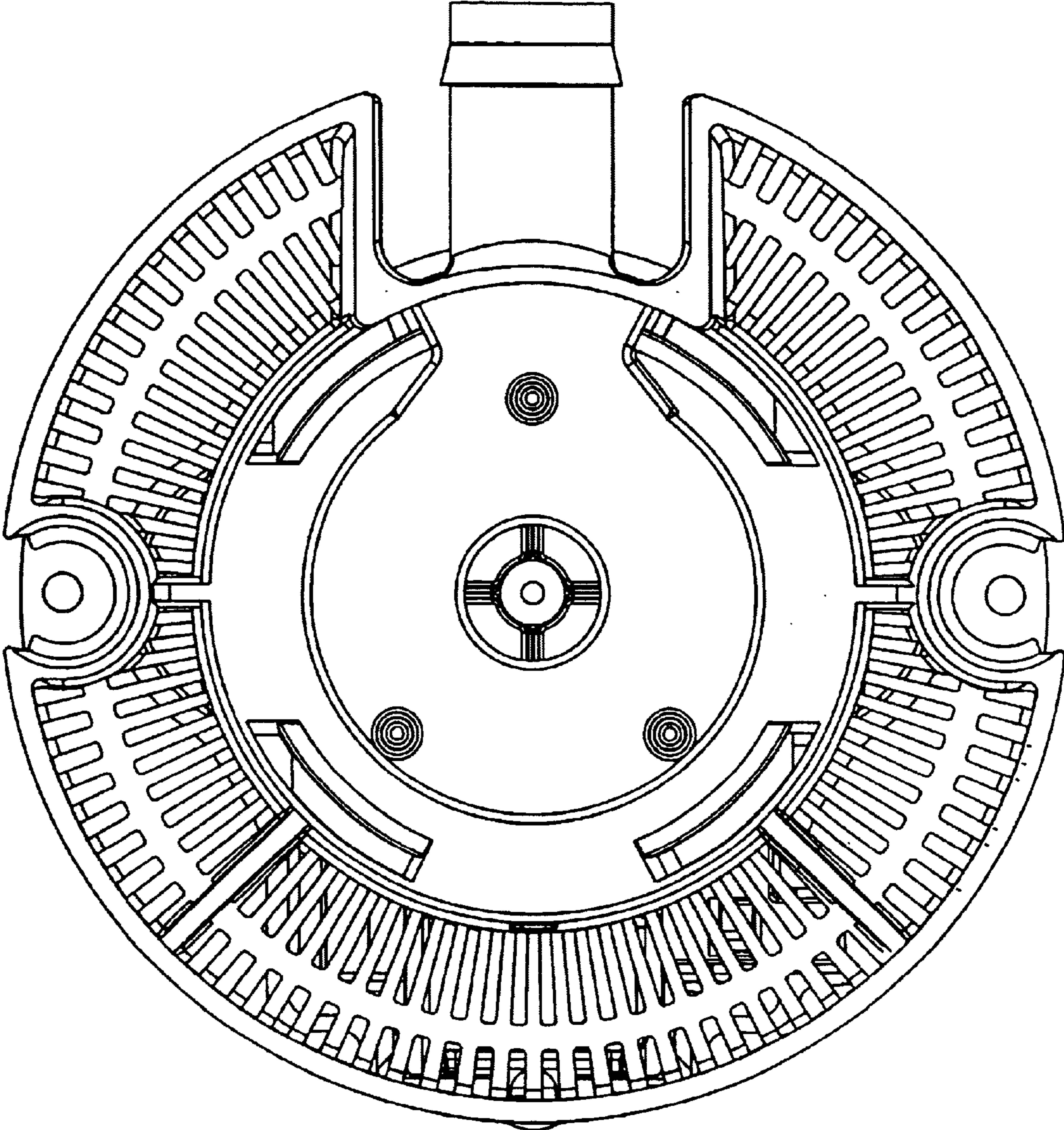


FIGURE 6