

US00D492323S1

(12) **United States Design Patent**  
**Wang**

(10) **Patent No.:** **US D492,323 S**  
(45) **Date of Patent:** **\*\* Jun. 29, 2004**

(54) **PORTABLE MEDIA PLAYER**  
(75) **Inventor:** **Hong-tien Wang, Taipei (TW)**  
(73) **Assignee:** **Tatung Co. Ltd., Taipei (TW)**  
(\*\*) **Term:** **14 Years**

D469,109 S \* 1/2003 Andre et al. .... D14/496  
D472,245 S \* 3/2003 Andre et al. .... D14/496  
D478,060 S \* 8/2003 Christianson ..... D14/188  
D478,128 S \* 8/2003 Hussaini et al. .... D21/333  
D481,397 S \* 10/2003 Ashida et al. .... D14/496  
6,639,577 B2 \* 10/2003 Eberhard ..... 345/102

\* cited by examiner

(21) **Appl. No.:** **29/188,074**  
(22) **Filed:** **Aug. 13, 2003**

*Primary Examiner*—Prabhakar Deshmukh  
(74) *Attorney, Agent, or Firm*—Bacon & Thomas, PLLC

(51) **LOC (7) Cl.** ..... **14-03**  
(52) **U.S. Cl.** ..... **D14/496**  
(58) **Field of Search** ..... D14/496, 474,  
D14/188, 194, 204, 400, 401, 435, 446,  
483, 217; D21/332, 333; 273/148 B; 463/1,  
43-47; 206/308.1, 308.3, 307; 370/342,  
343, 344; 455/347-351; 345/903, 905

(57) **CLAIM**

The ornamental design for the portable media player, as shown and described.

(56) **References Cited**

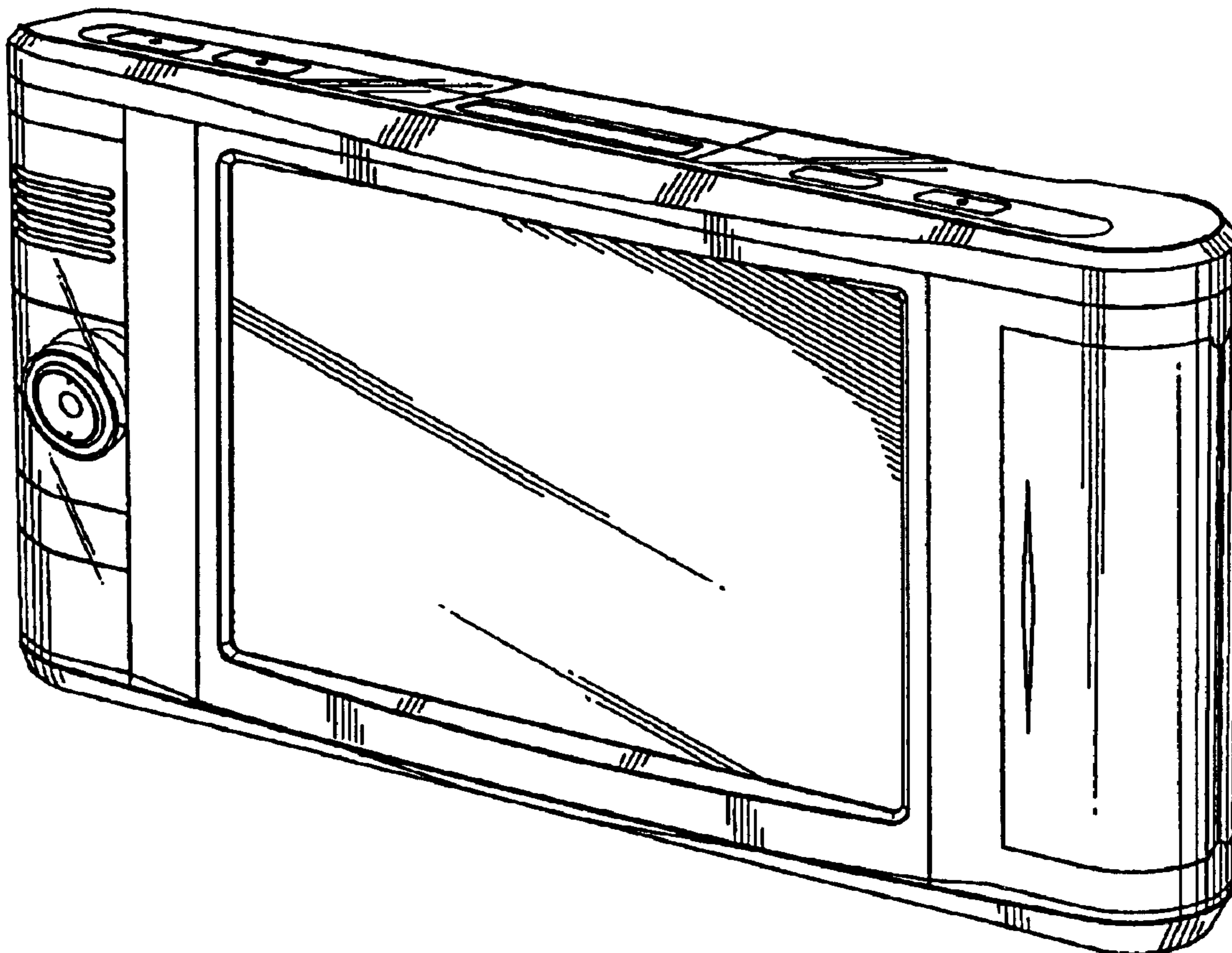
**DESCRIPTION**

**U.S. PATENT DOCUMENTS**

5,192,082 A \* 3/1993 Inoue et al. .... 463/44  
D350,543 S \* 9/1994 Metzler et al. .... D14/265  
5,661,632 A \* 8/1997 Register ..... 361/683  
D430,169 S \* 8/2000 Scibora ..... D14/496  
D455,793 S \* 4/2002 Lin ..... D21/329

FIG. 1 is a perspective view of a portable media player showing our new design;  
FIG. 2 is a front view thereof;  
FIG. 3 is a rear view thereof;  
FIG. 4 is a left side view thereof;  
FIG. 5 is a right side view thereof;  
FIG. 6 is a top view thereof; and,  
FIG. 7 is a bottom view thereof.

**1 Claim, 3 Drawing Sheets**



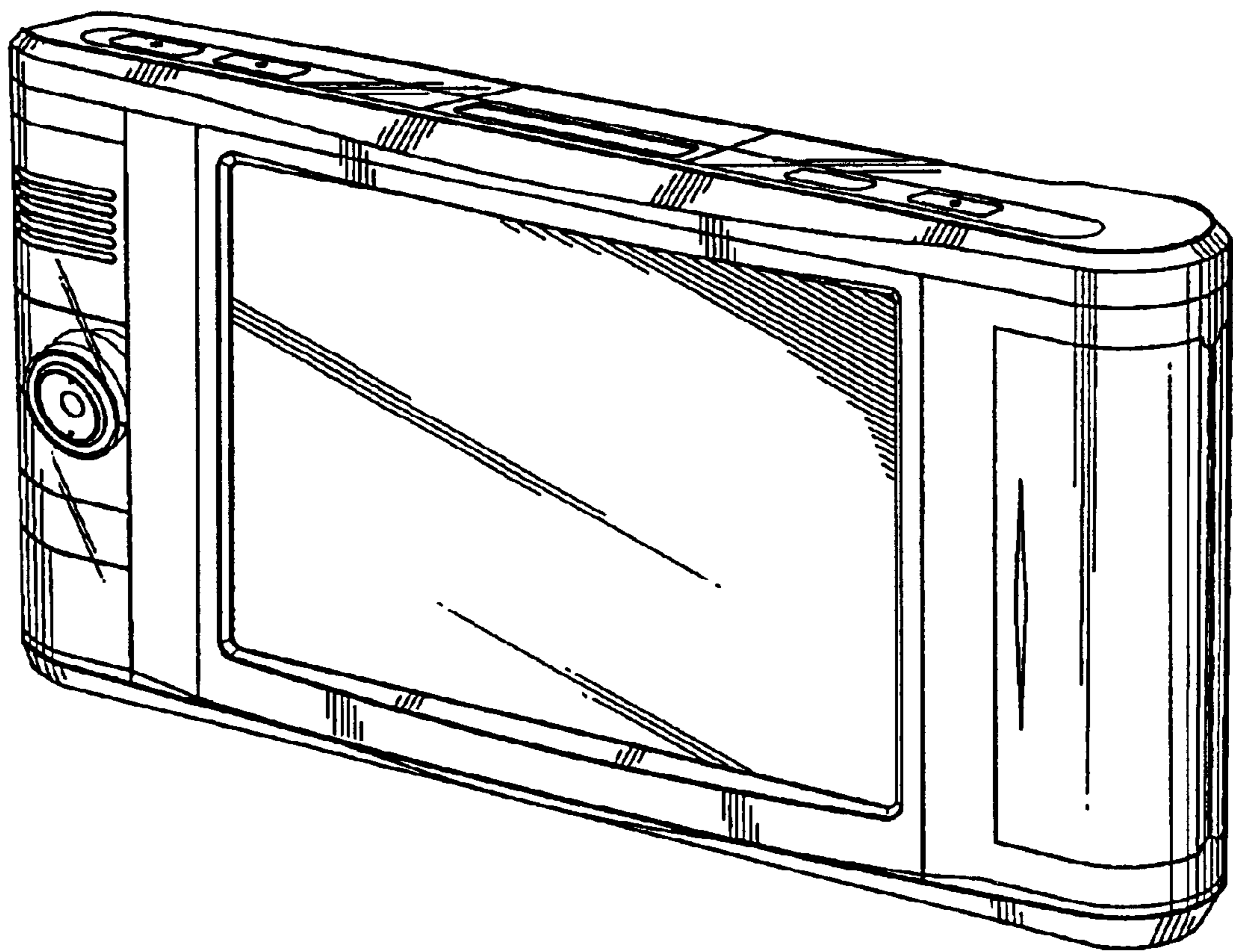


FIG. 1

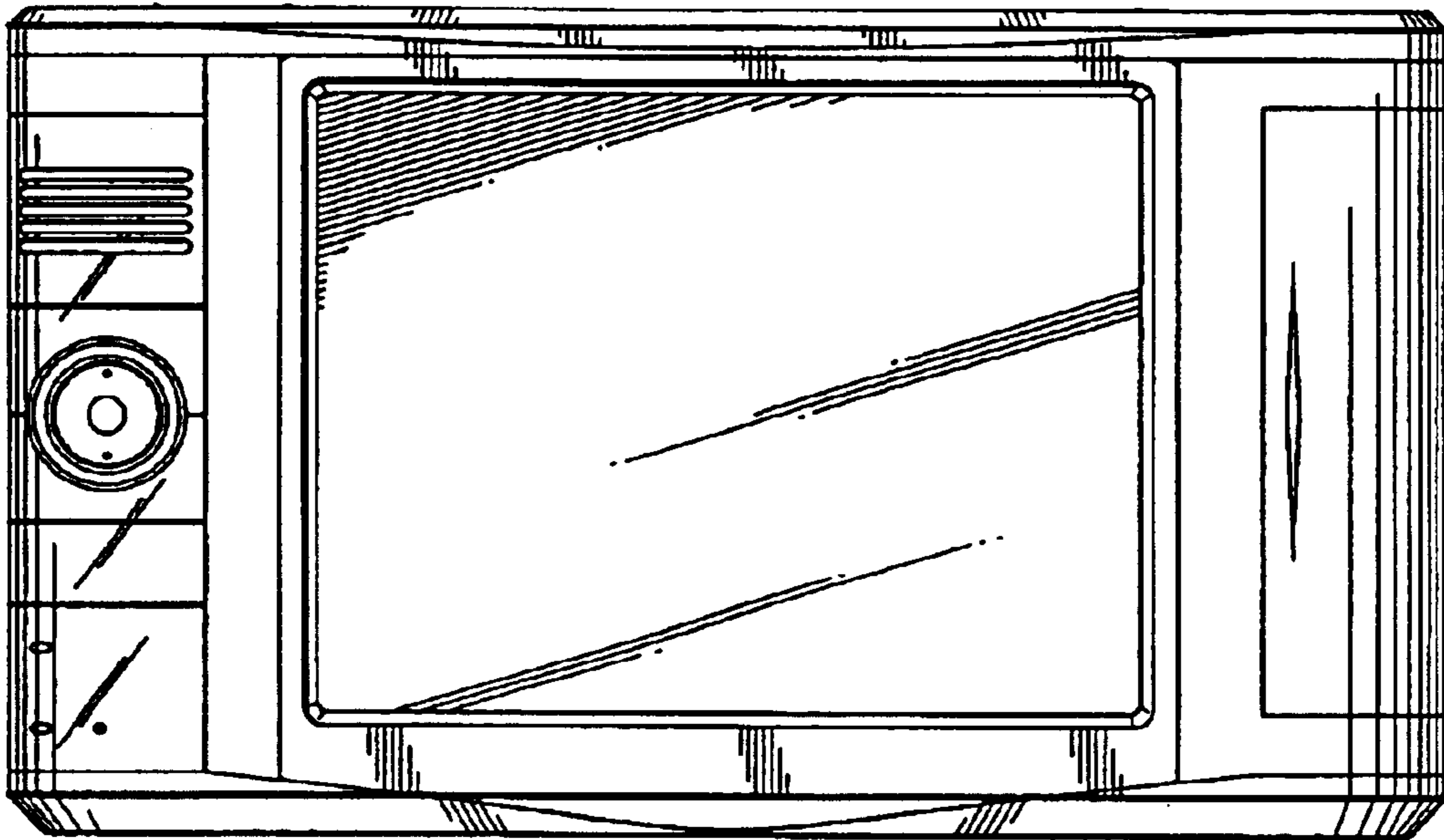


FIG. 2

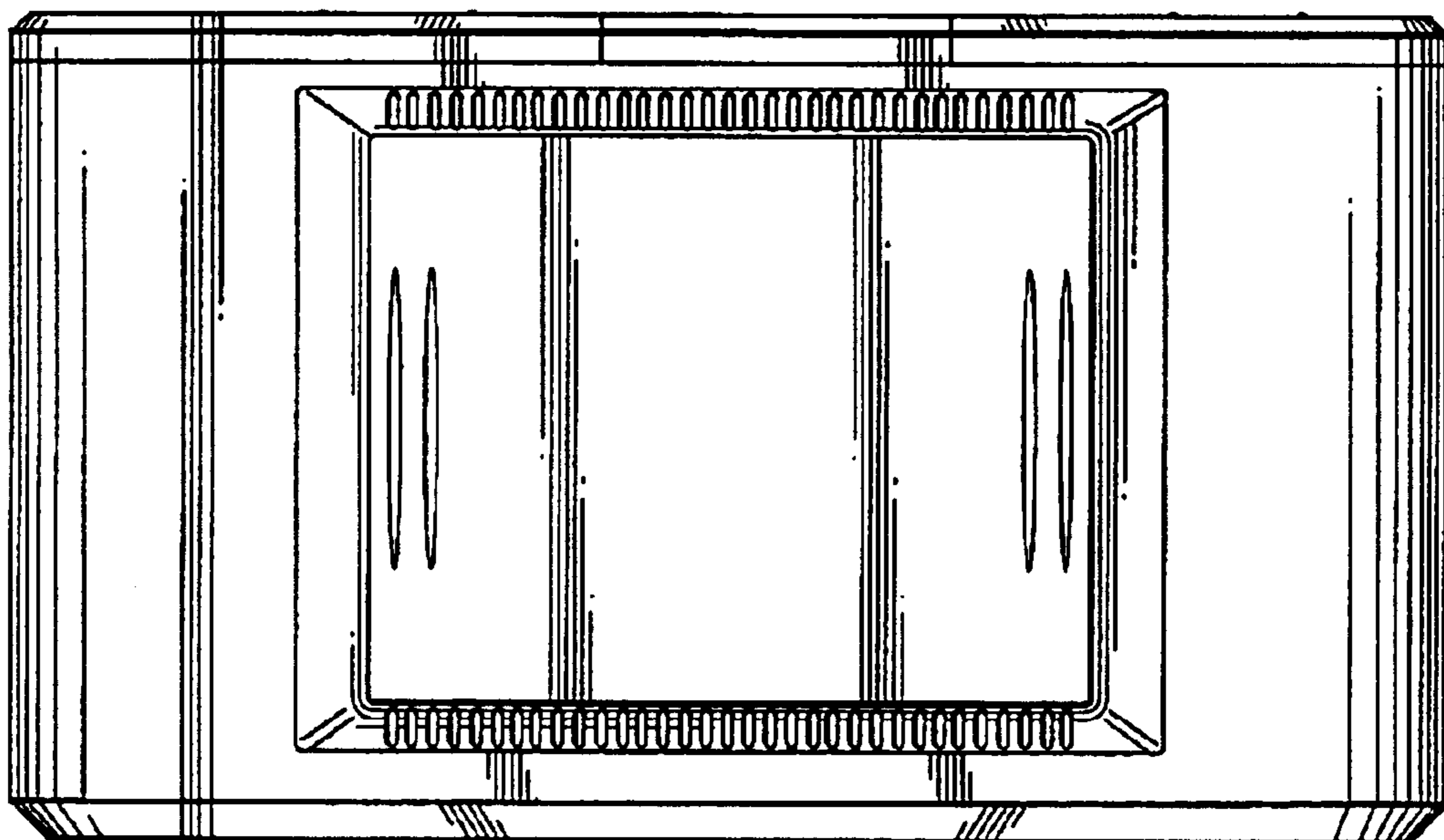


FIG. 3

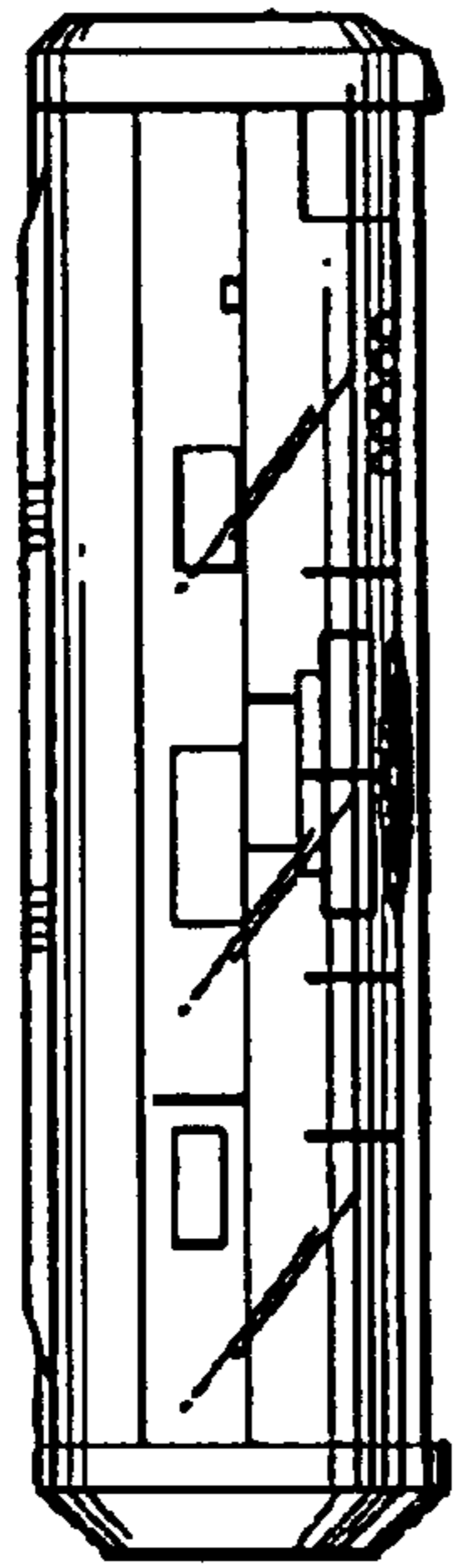


FIG. 4

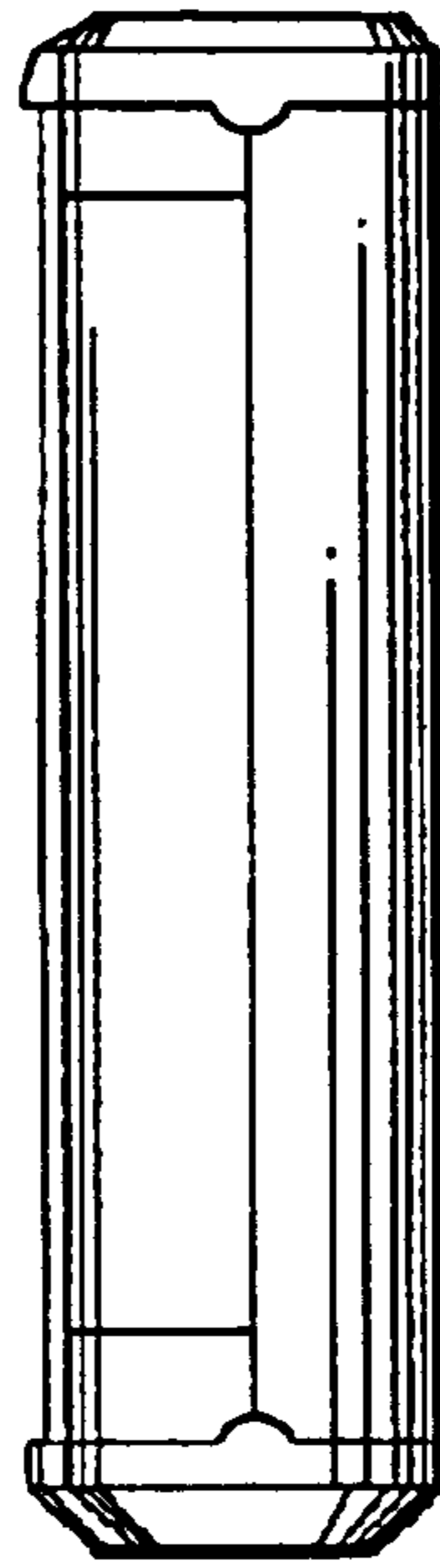


FIG. 5

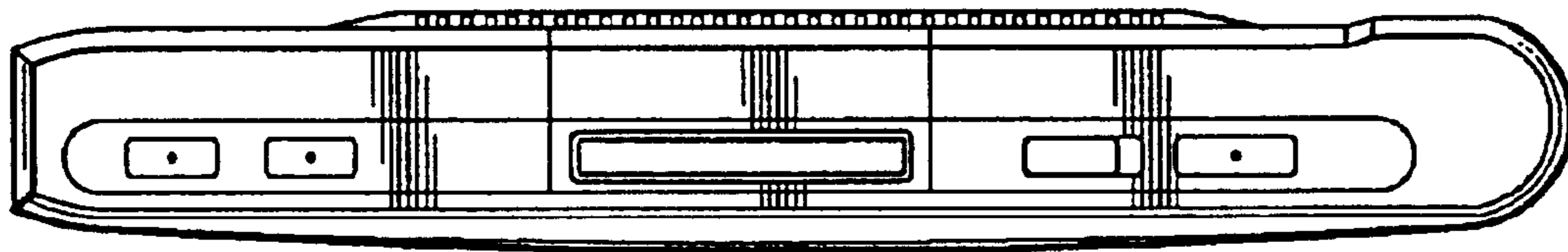


FIG. 6

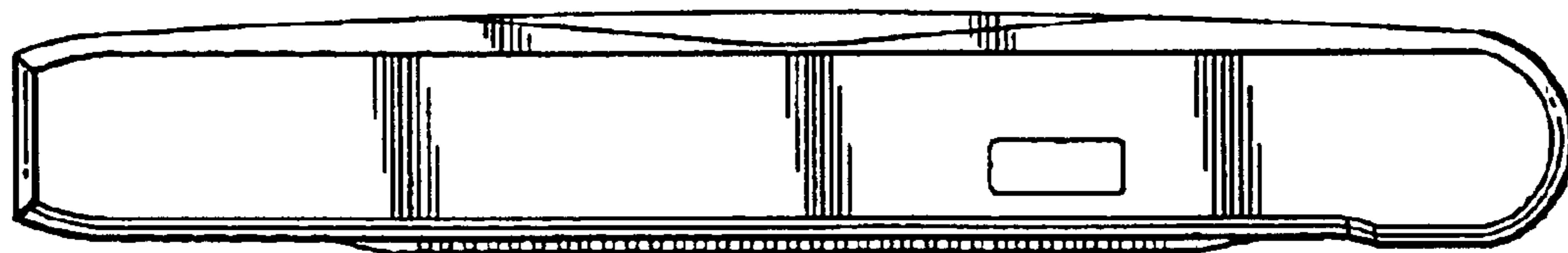


FIG. 7