

US00D492321S1

(12) **United States Design Patent**
Farrar et al.

(10) **Patent No.: US D492,321 S**
(45) **Date of Patent: ** Jun. 29, 2004**

(54) **INFORMATION STORAGE MEDIA HOLDER WITH SECURITY FEATURE**

D430,575 S * 9/2000 Sumner et al. D14/478
6,115,211 A * 9/2000 Schick 360/98.08
D468,621 S * 1/2003 Farrar et al. D8/339

(75) Inventors: **Peter Antony Farrar**, Menston (GB);
Anthony Henry Joseph Fraser, Ketton (GB);
Stefan Alexander Pijanowski, Oundle (GB)

* cited by examiner

Primary Examiner—Kay H. Chin

(73) Assignee: **Dubois Limited**, Northants (GB)

(**) Term: **14 Years**

(57) **CLAIM**

The ornamental design for an information storage media holder with security feature, as shown and described.

(21) Appl. No.: **29/165,456**

(22) Filed: **Aug. 9, 2002**

DESCRIPTION

(51) **LOC (7) Cl.** **14-99**

(52) **U.S. Cl.** **D14/478**; D14/435

(58) **Field of Search** D14/432-438;
11/474-480; D8/339; 360/98.08, 99.12;
361/690-696

This application claims priority based on U.S. Application Ser. No. 29/142,204, now allowed, which in turn claims priority from U.K. Design Patent Applications GB 2097611, filed Nov. 22, 2000; GB 2097612, filed Nov. 22, 2000; GB 2097613, Nov. 22, 2000; and GB 2097614 filed Nov. 22, 2000. The entire disclosure of each of these prior-filed applications is hereby incorporated herein by reference.

FIG. 1 is a top plan view of an information storage media holder with security feature showing my new design;

FIG. 2 is a front elevation view thereof; and,

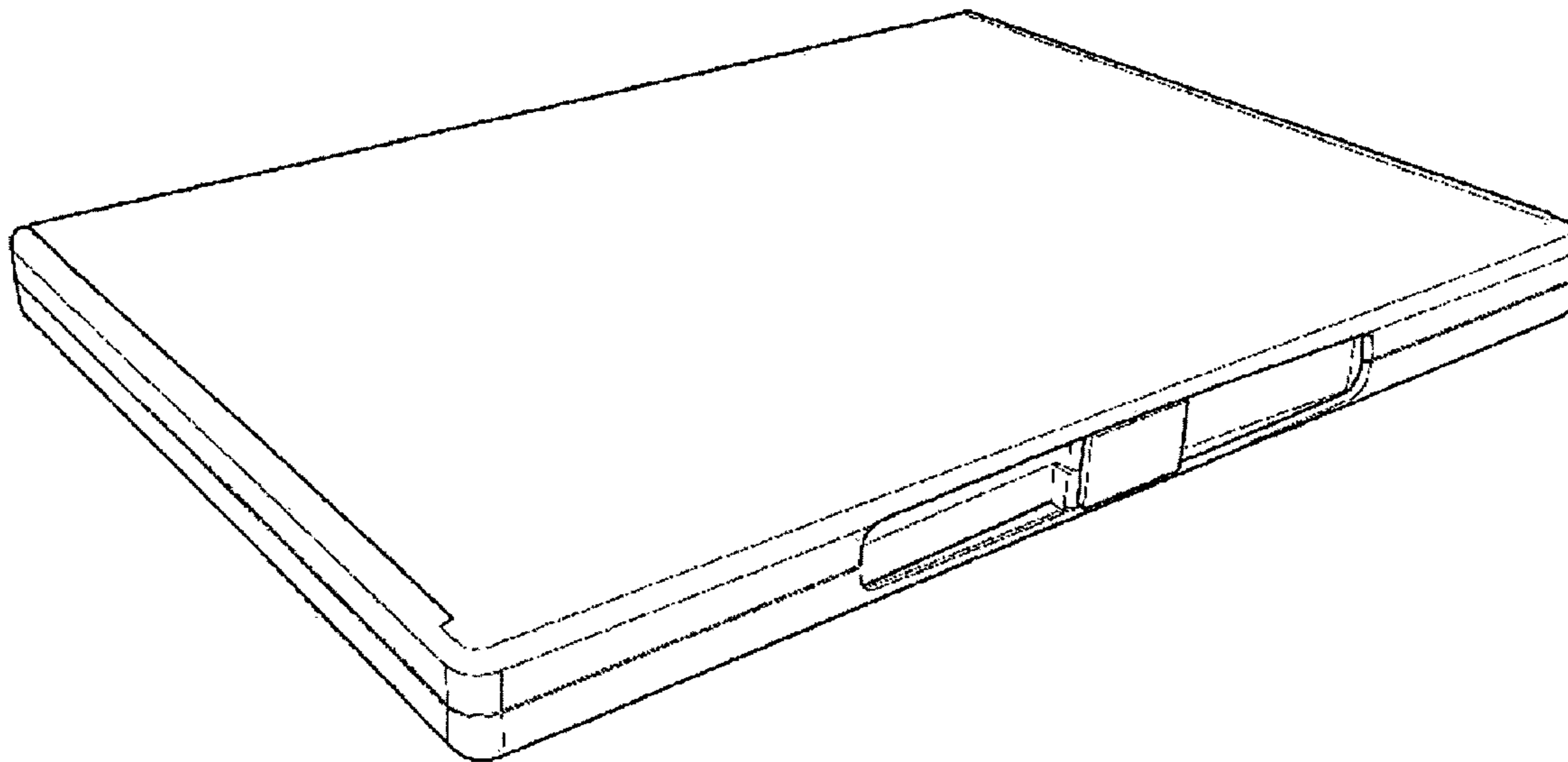
FIG. 3 is a top perspective view thereof.

(56) **References Cited**

U.S. PATENT DOCUMENTS

D383,732 S * 9/1997 Haley et al. D14/435

1 Claim, 3 Drawing Sheets



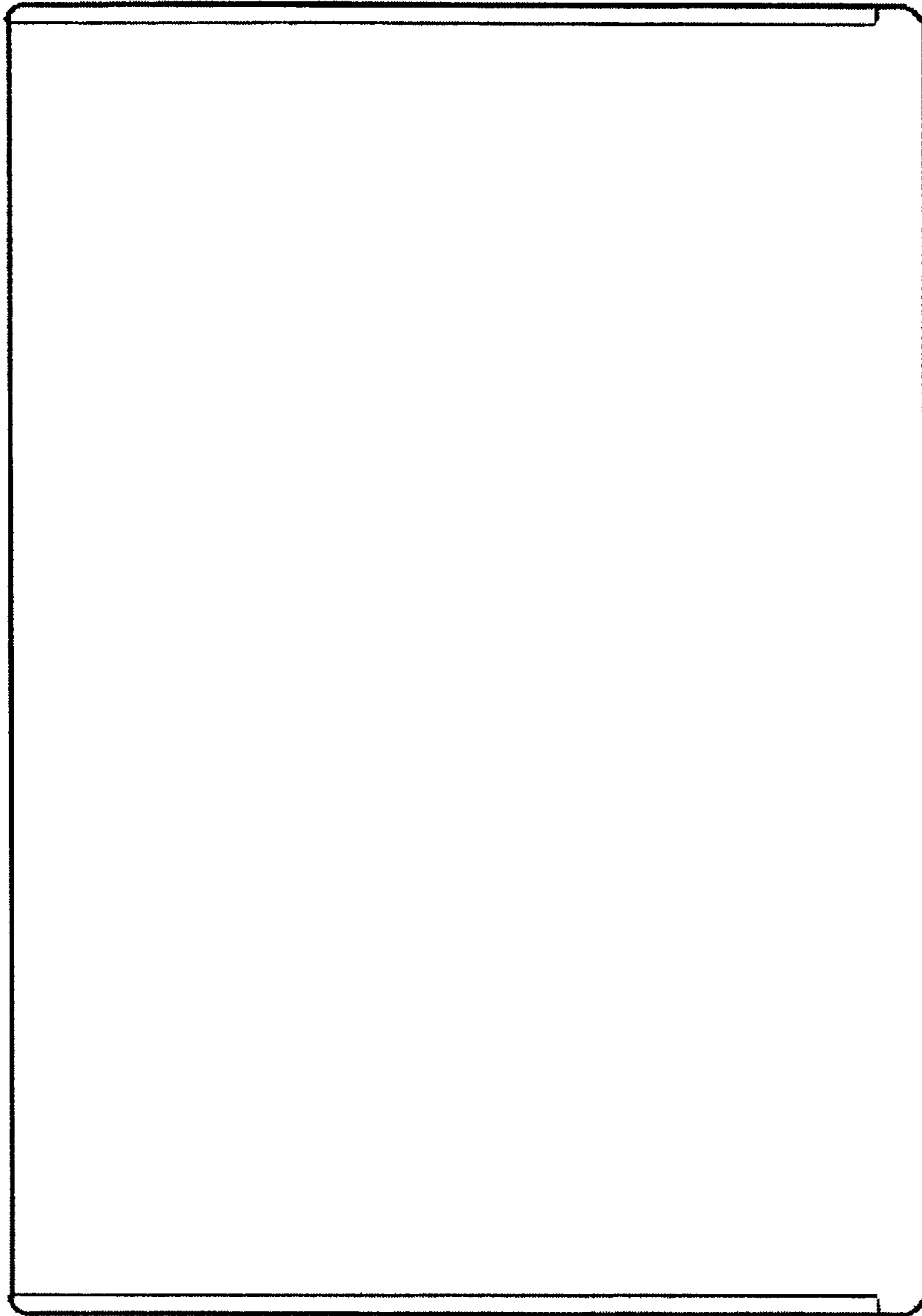


FIGURE 1

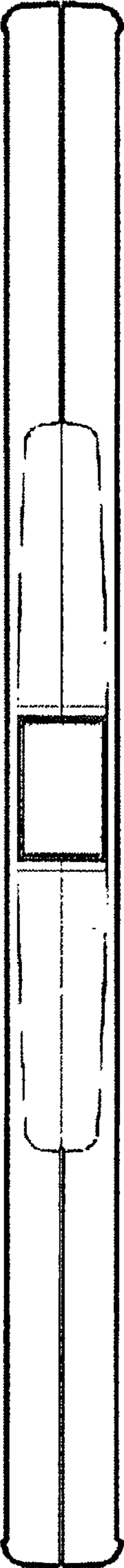


FIGURE 2

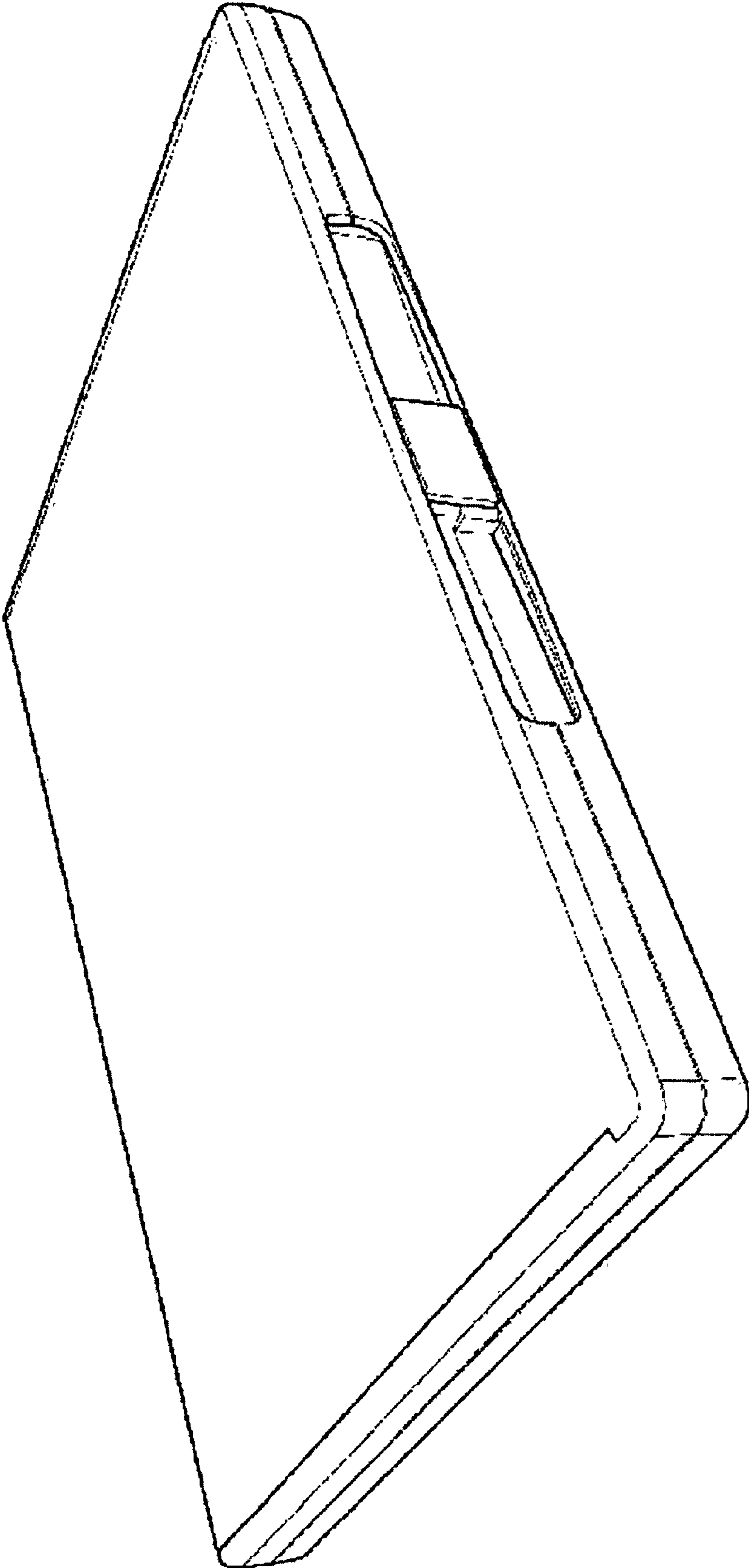


FIGURE 3