

US00D492317S1

(12) **United States Design Patent**
Chen et al.

(10) **Patent No.:** **US D492,317 S**
(45) **Date of Patent:** **** Jun. 29, 2004**

(54) **COMPUTER FRONT BEZEL**
(75) Inventors: **Yun Lung Chen**, Tu-chen (TW); **Qing Hua Huang**, Shenzhen (CN); **Zhi Qiang Li**, Shenzhen (CN)

6,000,769 A * 12/1999 Chen 312/223.2
D431,825 S * 10/2000 Jean et al. D14/444
D439,254 S * 3/2001 Zhao D14/441
D467,928 S * 12/2002 Chen D14/444

* cited by examiner

(73) Assignee: **Hon Hai Precision Ind. Co., Ltd.**,
Taipei Hsien (TW)

Primary Examiner—Freda S. Nunn
(74) *Attorney, Agent, or Firm*—Wei Te Chung

(**) Term: **14 Years**

(57) **CLAIM**

(21) Appl. No.: **29/186,953**

The ornamental design for a computer front bezel, as shown and described.

(22) Filed: **Jul. 23, 2003**

DESCRIPTION

(30) **Foreign Application Priority Data**

Jul. 8, 2003 (CN) 03350382

(51) **LOC (7) Cl.** **14-02**

(52) **U.S. Cl.** **D14/445**

(58) **Field of Search** D14/441-446;
D13/162, 184, 199; 312/223.2; 360/99.01-99.12;
361/680-686, 690-696

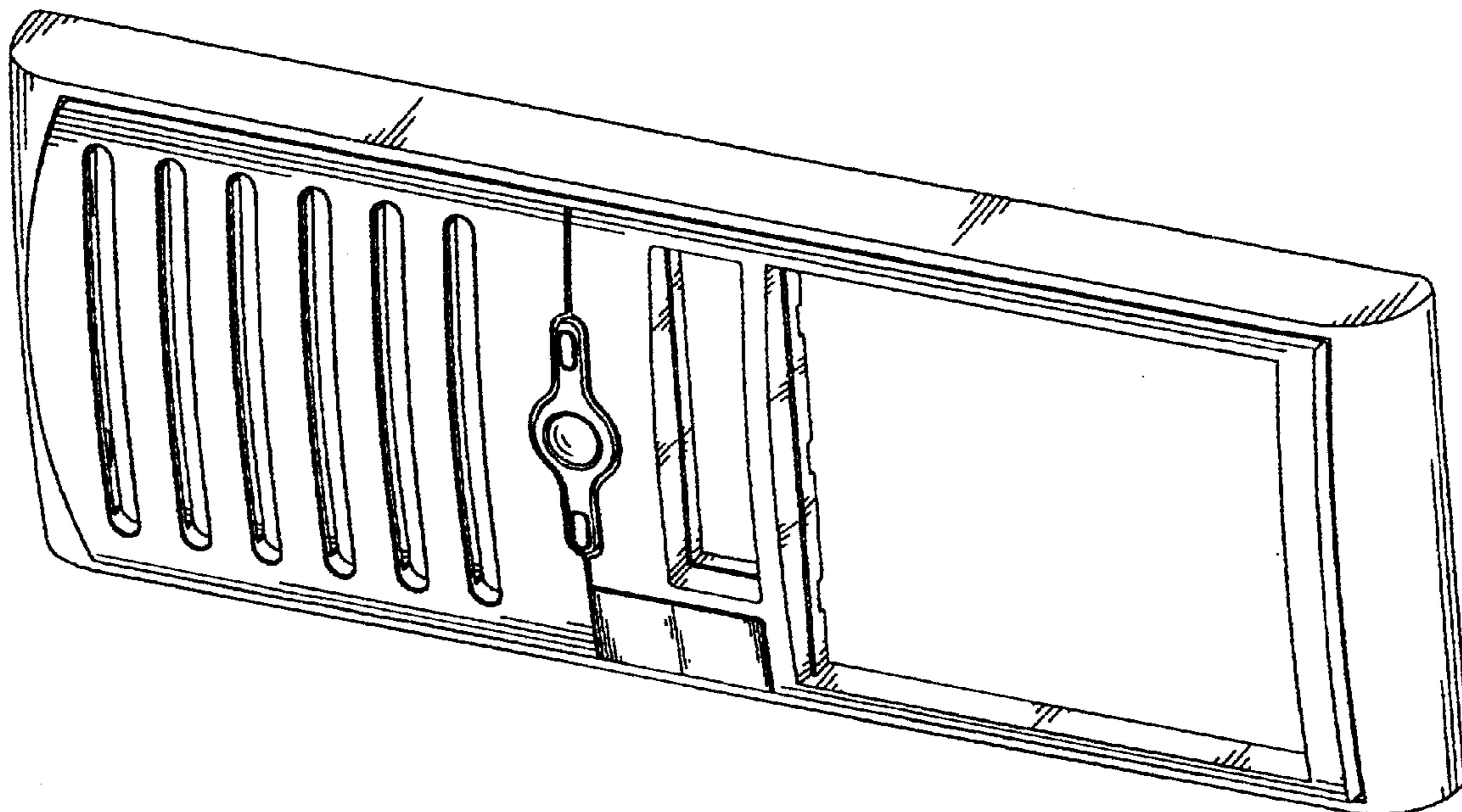
FIG. 1 is a perspective view of a computer front bezel of our new design;
FIG. 2 is a front elevational view thereof;
FIG. 3 is a rear elevational view thereof;
FIG. 4 is a left side elevational view thereof;
FIG. 5 is a right side elevational view thereof;
FIG. 6 is a top plan view thereof;
FIG. 7 is a bottom plan view thereof; and,
FIG. 8 is a perspective view thereof being mounted to a computer case which is shown in broken lines for illustrative purposes only and forms no part of the claimed design.

(56) **References Cited**

U.S. PATENT DOCUMENTS

5,169,218 A * 12/1992 Chu 312/223.2

1 Claim, 6 Drawing Sheets



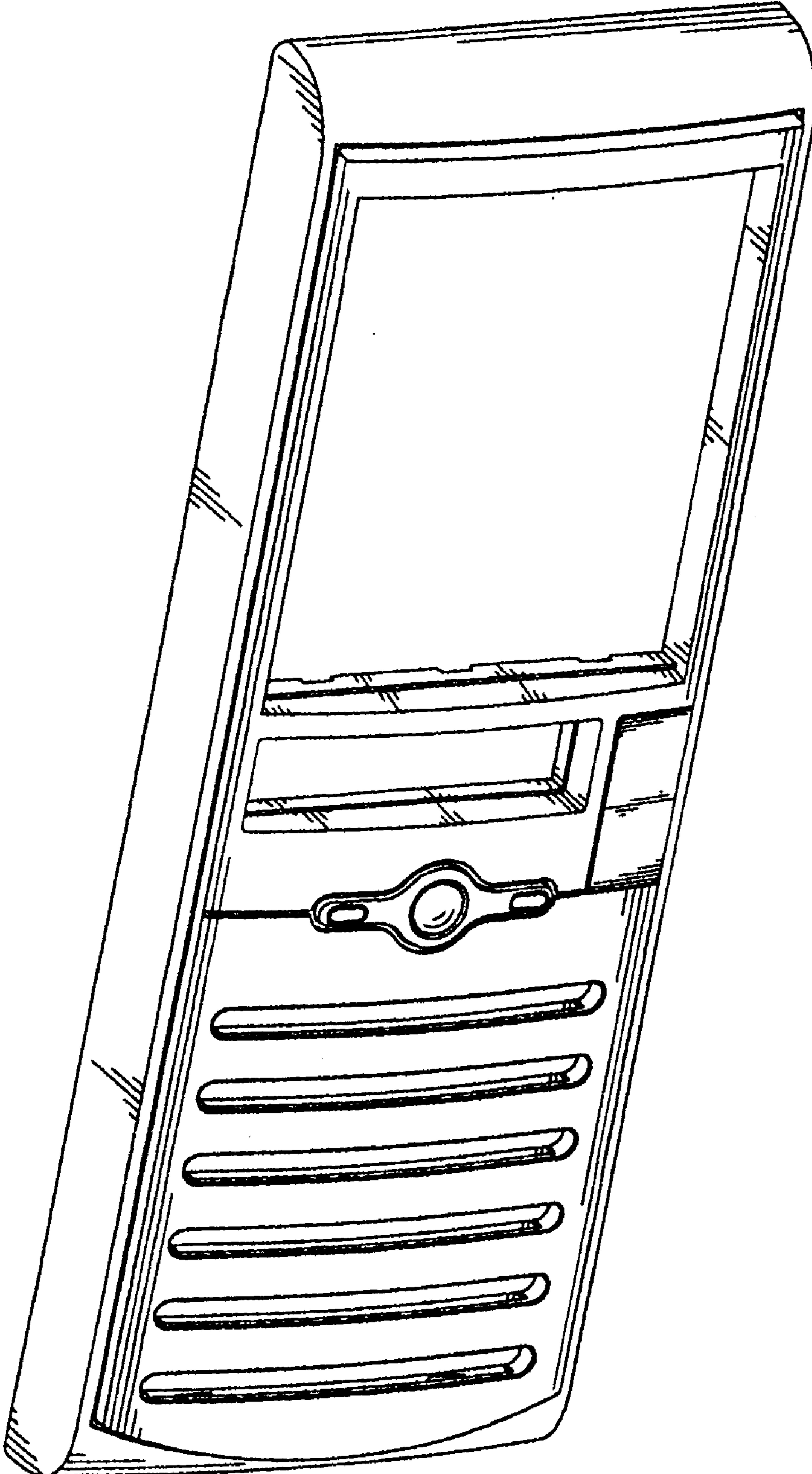


FIG. 1

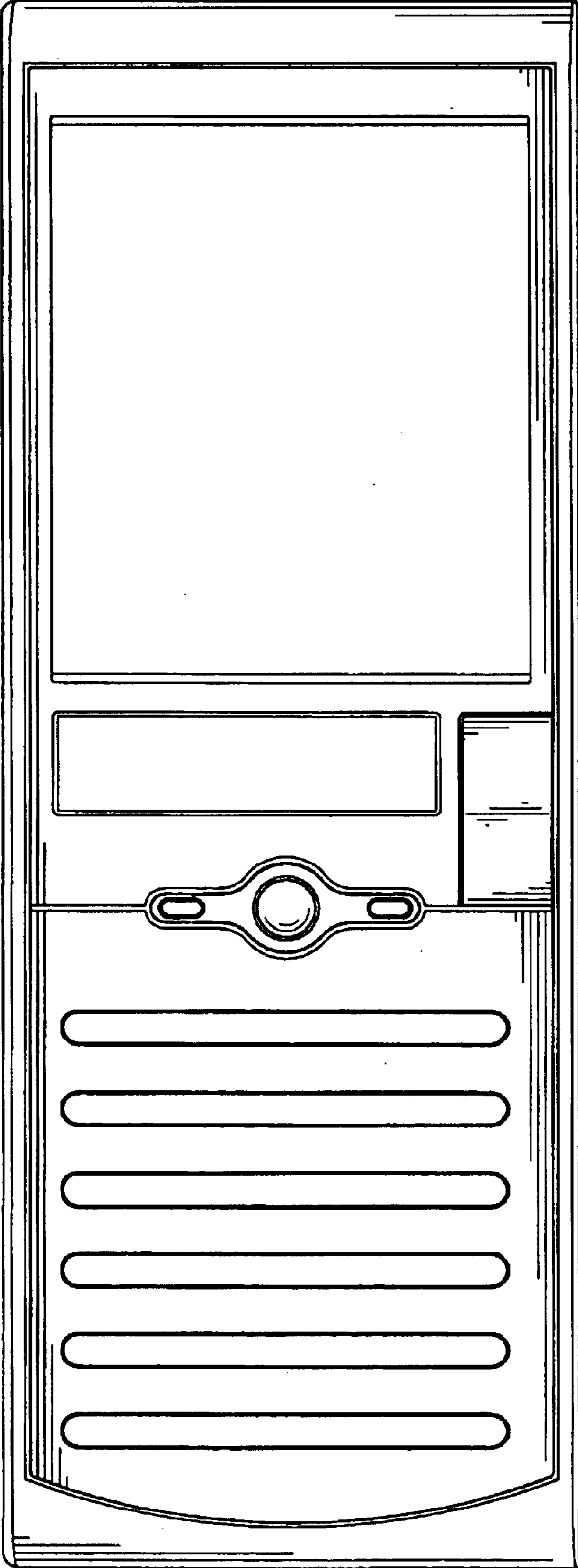


FIG. 2

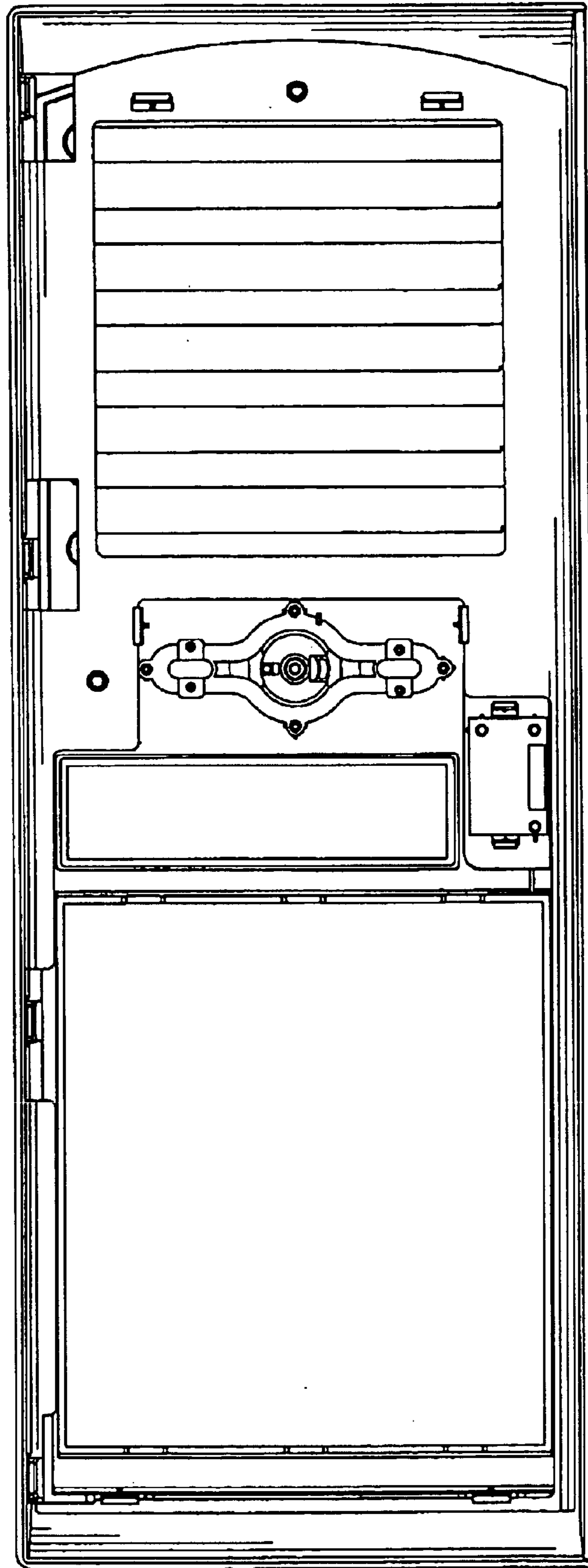


FIG. 3

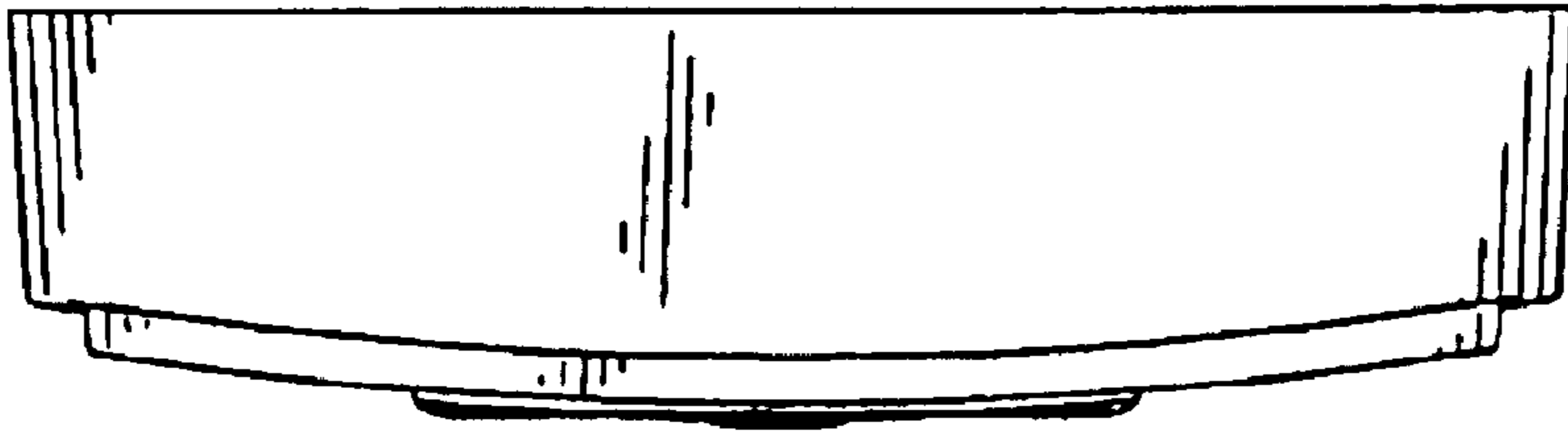


FIG. 5

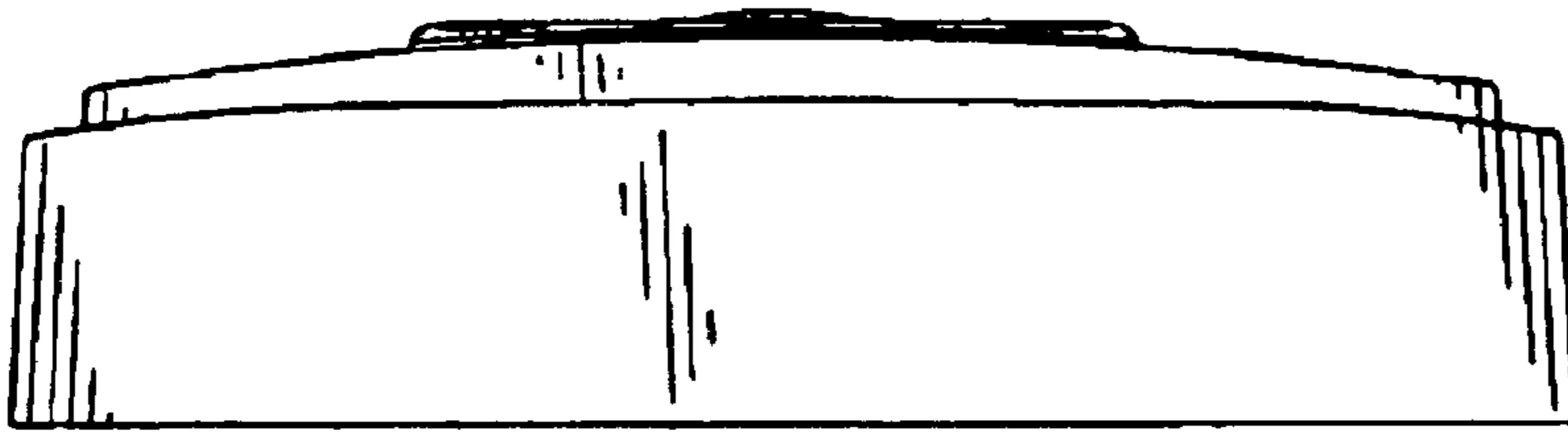


FIG. 4

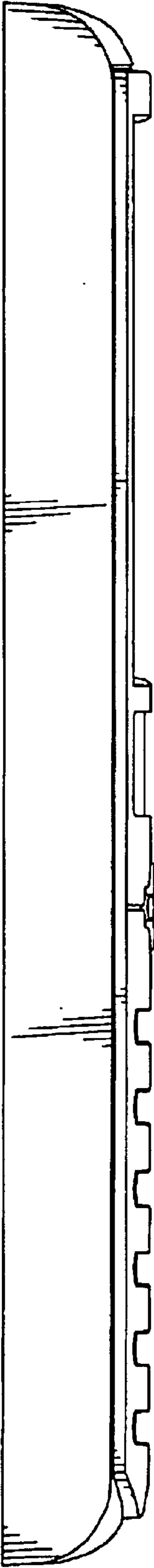


FIG. 6

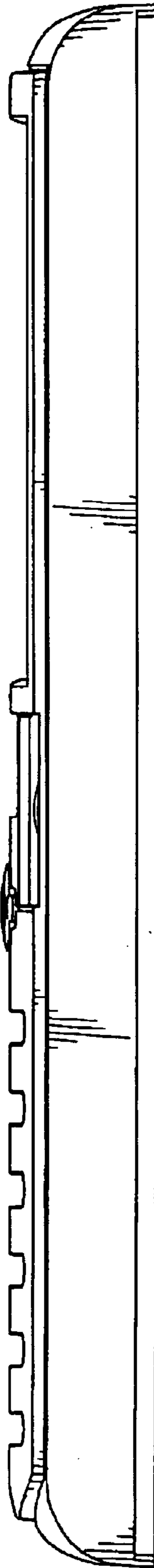


FIG. 7

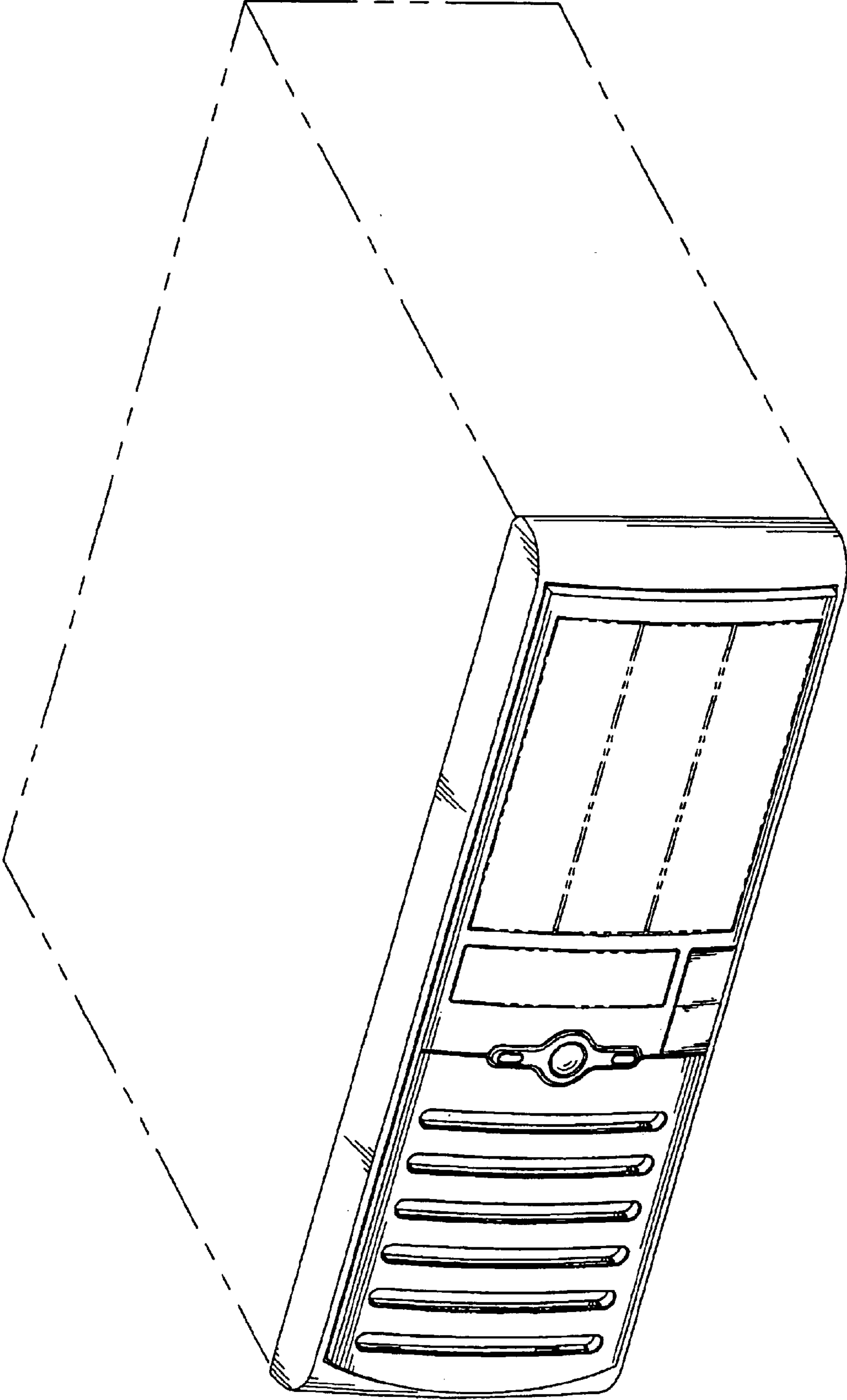


FIG. 8