

US00D492313S1

(12) **United States Design Patent**
Ichiyoshi et al.

(10) **Patent No.: US D492,313 S**
(45) **Date of Patent: ** Jun. 29, 2004**

(54) **IMAGE DATA SCANNER APPARATUS**

D415,127 S * 10/1999 Ueda D14/425
D469,769 S * 2/2003 Sugitani et al. D14/425

(75) Inventors: **Hiroyuki Ichiyoshi**, Yokohama (JP);
Teruhiko Kitamura, Tokyo (JP);
Kazuhide Sugiyama, Chichibu (JP);
Masashi Shimamura, Kodama-gun
(JP); **Jun Tanaka**, Chichibu (JP)

* cited by examiner

Primary Examiner—Freda S. Nunn
(74) *Attorney, Agent, or Firm*—Fitzpatrick, Cella, Harper &
Scinto

(73) Assignee: **Canon Denshi Kabushiki Kaisha**,
Chichibu (JP)

(57) **CLAIM**

(**) Term: **14 Years**

The ornamental design for an image data scanner apparatus,
as shown and described.

(21) Appl. No.: **29/186,383**

DESCRIPTION

(22) Filed: **Jul. 16, 2003**

(30) **Foreign Application Priority Data**

Jan. 20, 2003 (JP) 2003-001157

(51) **LOC (7) Cl.** **14-02**

(52) **U.S. Cl.** **D14/421**

(58) **Field of Search** D14/420-422,
D14/424, 425; 335/380, 382, 382.5; 250/556;
355/64, 65, 75, 81

FIG. 1 is a front view of an image data scanner apparatus
showing our new design;

FIG. 2 is a rear view thereof;

FIG. 3 is a top plan view thereof;

FIG. 4 is a bottom plan view thereof;

FIG. 5 is a left side view thereof;

FIG. 6 is a right side view thereof; and,

FIG. 7 is a perspective view thereof as viewed from left and
front.

(56) **References Cited**

U.S. PATENT DOCUMENTS

D380,204 S * 6/1997 Kogoh et al. D14/425

1 Claim, 4 Drawing Sheets

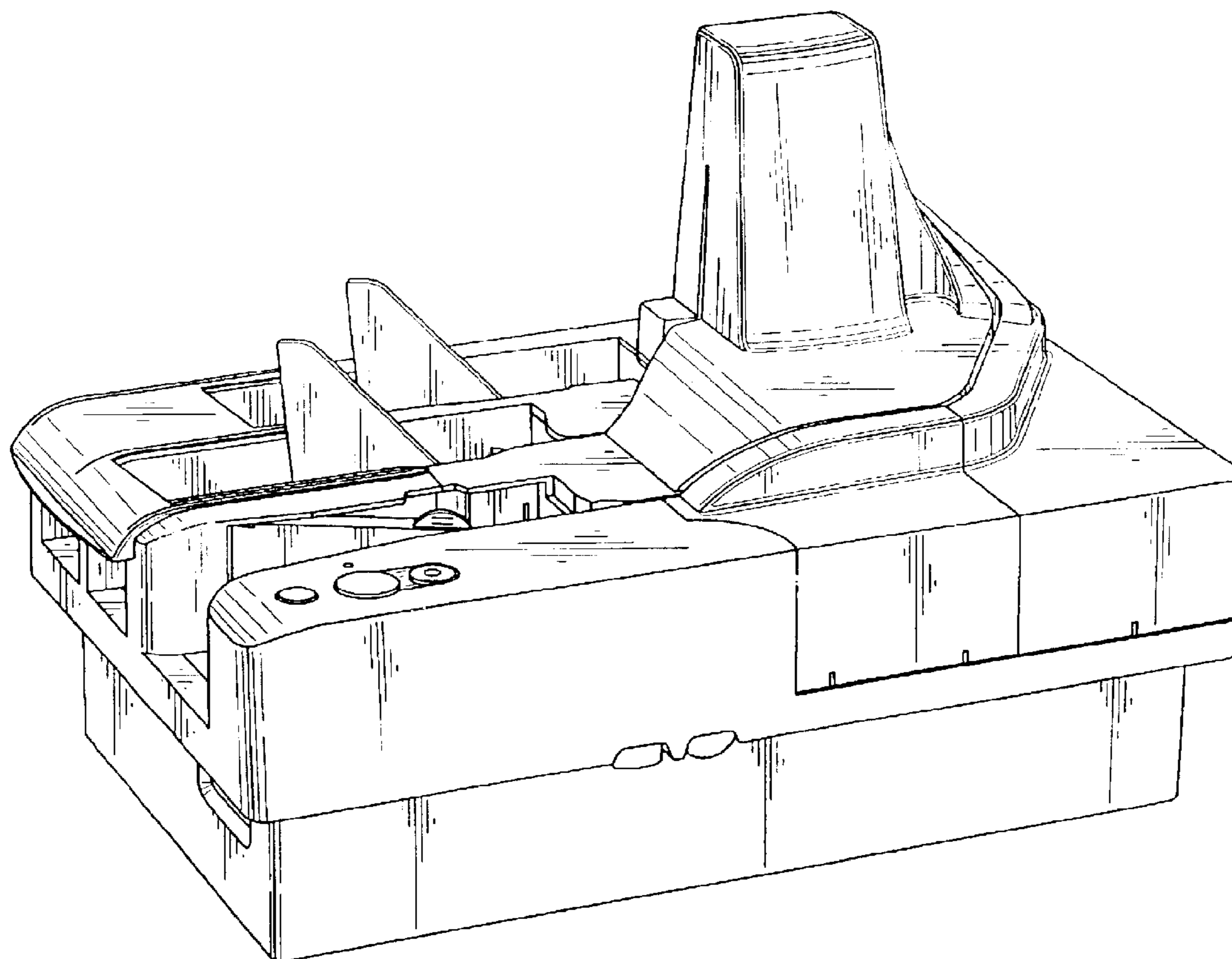


FIG. 1

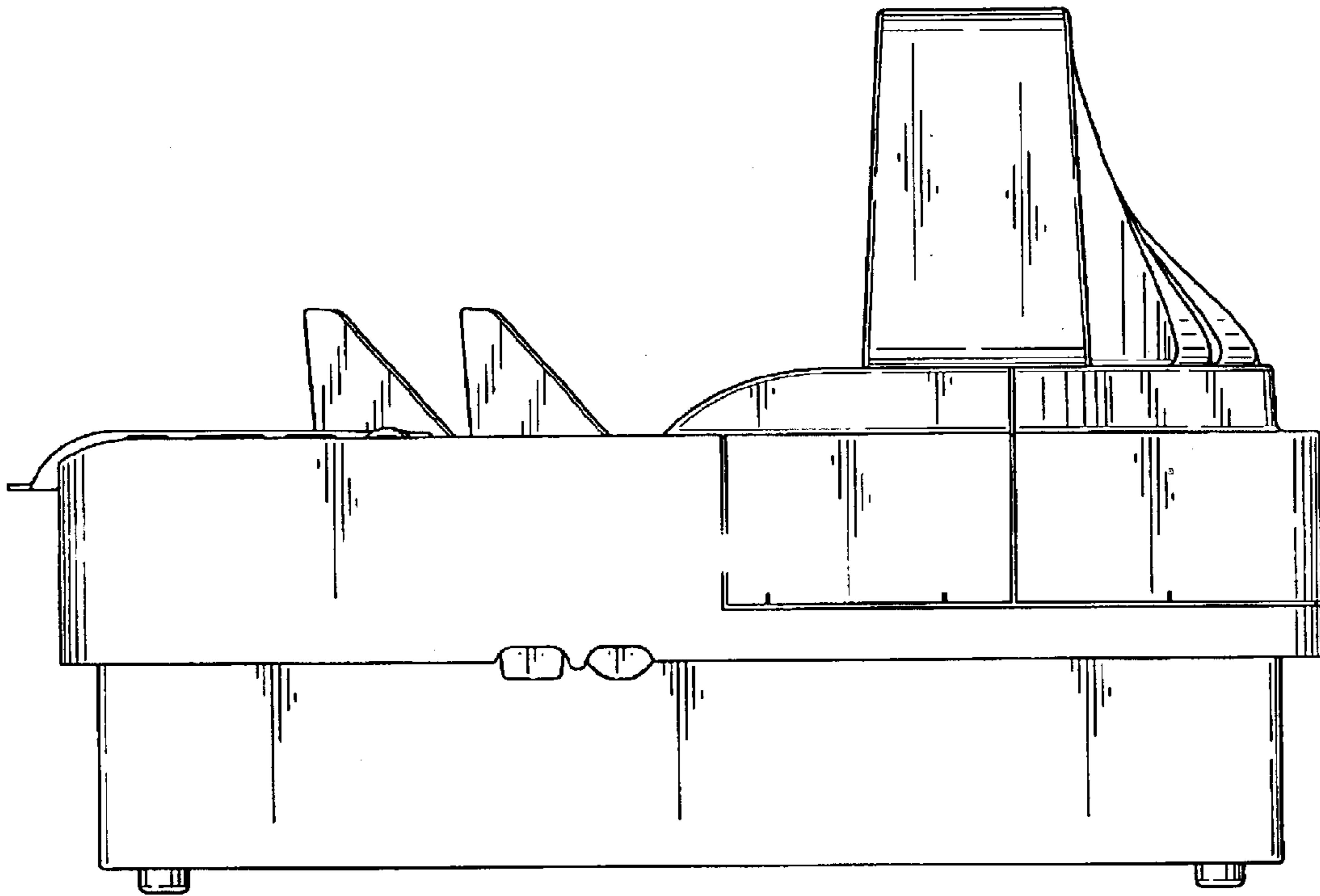


FIG. 2

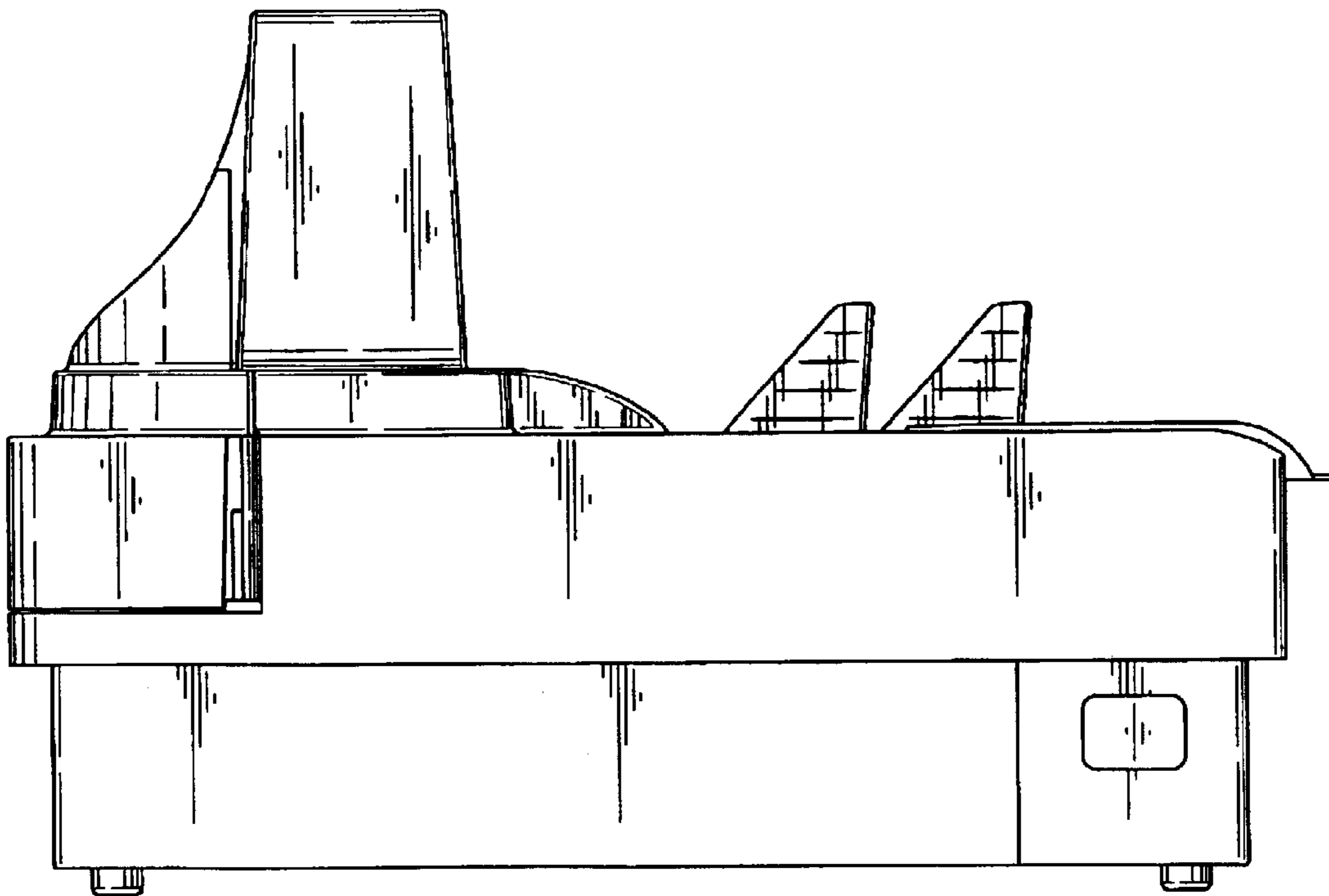


FIG. 3

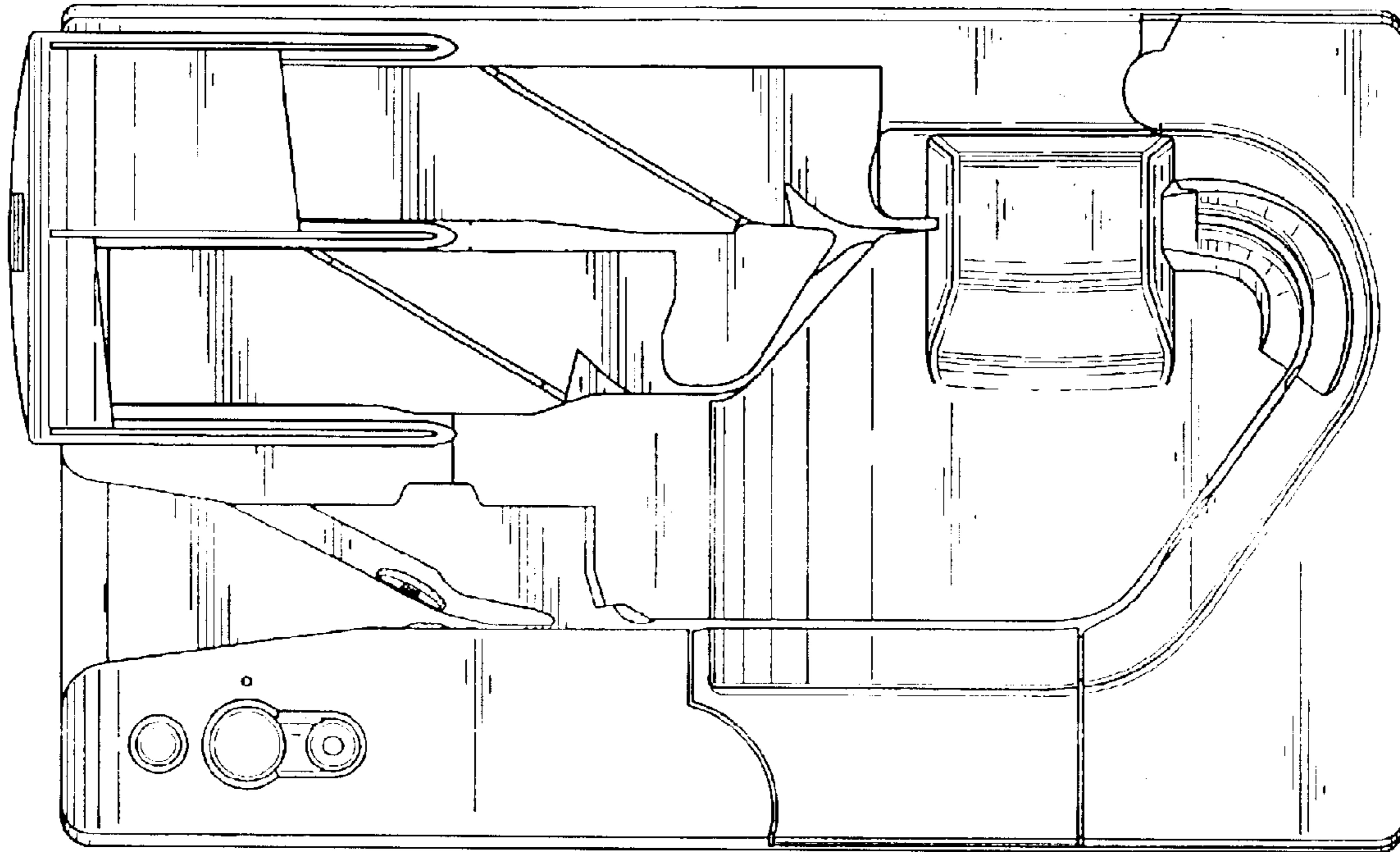


FIG. 4

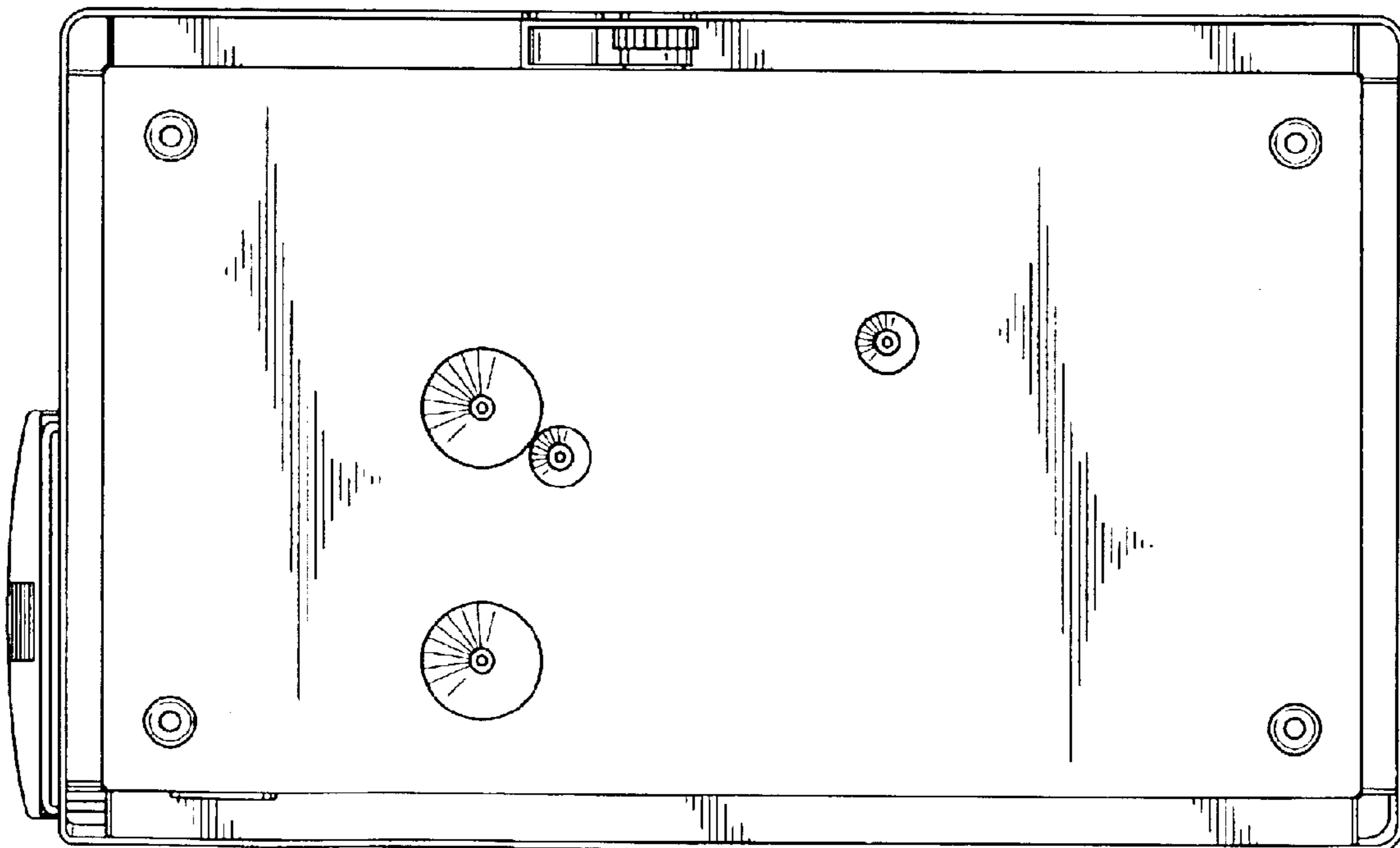


FIG. 5

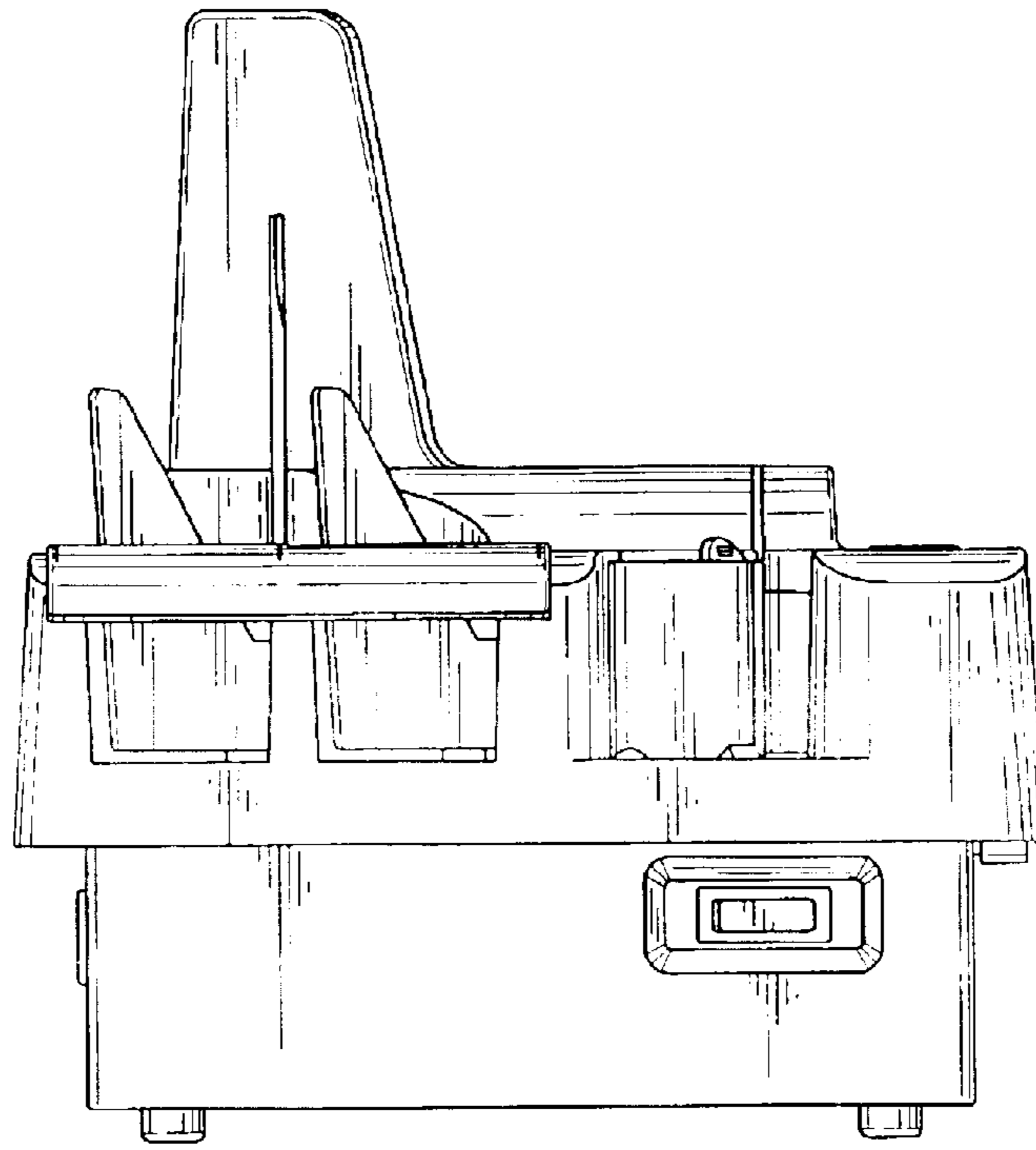


FIG. 6

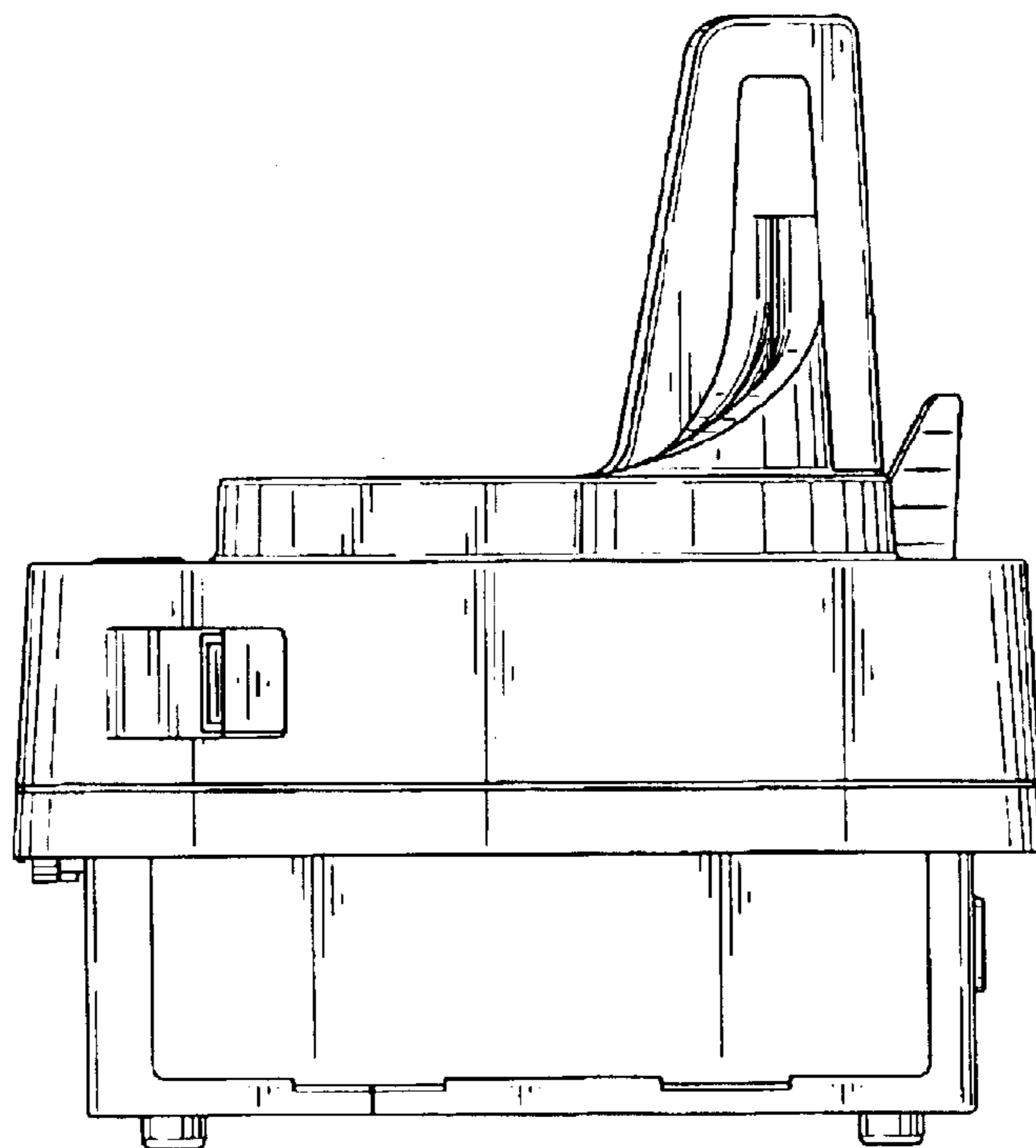


FIG. 7

