

US00D492312S1

(12) **United States Design Patent**  
**König**

(10) **Patent No.:** **US D492,312 S**  
(45) **Date of Patent:** **\*\* Jun. 29, 2004**

(54) **COMPUTER MOUSE**

(76) **Inventor:** **Andreas König**, Nettelhof 3, 22609  
Hamburg (DE)

(\*\*) **Term:** **14 Years**

(21) **Appl. No.:** **29/136,236**

(22) **Filed:** **Oct. 15, 2001**

(30) **Foreign Application Priority Data**

Aug. 22, 2000 (DE) ..... 4 00 07 871  
Oct. 2, 2000 (WO) ..... DM/053 402  
Jan. 5, 2001 (WO) ..... DM/054 389

(51) **LOC (7) Cl.** ..... **14-02**

(52) **U.S. Cl.** ..... **D14/403**

(58) **Field of Search** ..... D14/402-410,  
D14/417, 432; 200/5 R, 5 A, 6 R, 6 A,  
302.1, 512-517; 273/148 B; 345/156-167;  
74/471 XY; 463/36, 37, 38; D9/516, 518,  
434, 435, 438, 452, 454

(56) **References Cited**

**U.S. PATENT DOCUMENTS**

D437,587 S \* 2/2001 Kellan ..... D14/403

D440,569 S \* 4/2001 Chang et al. .... D14/403  
D441,364 S \* 5/2001 Lawhon ..... D14/403  
D442,593 S \* 5/2001 Vaghefi et al. .... D14/403  
D453,759 S \* 2/2002 Goosen ..... D14/403

\* cited by examiner

*Primary Examiner*—Kay H. Chin

(57) **CLAIM**

The ornamental design for a computer mouse, as shown and described.

**DESCRIPTION**

FIG. 1 is a rear view of the computer mouse showing my new design;

FIG. 2 is a front view thereof;

FIG. 3 is a left side view thereof;

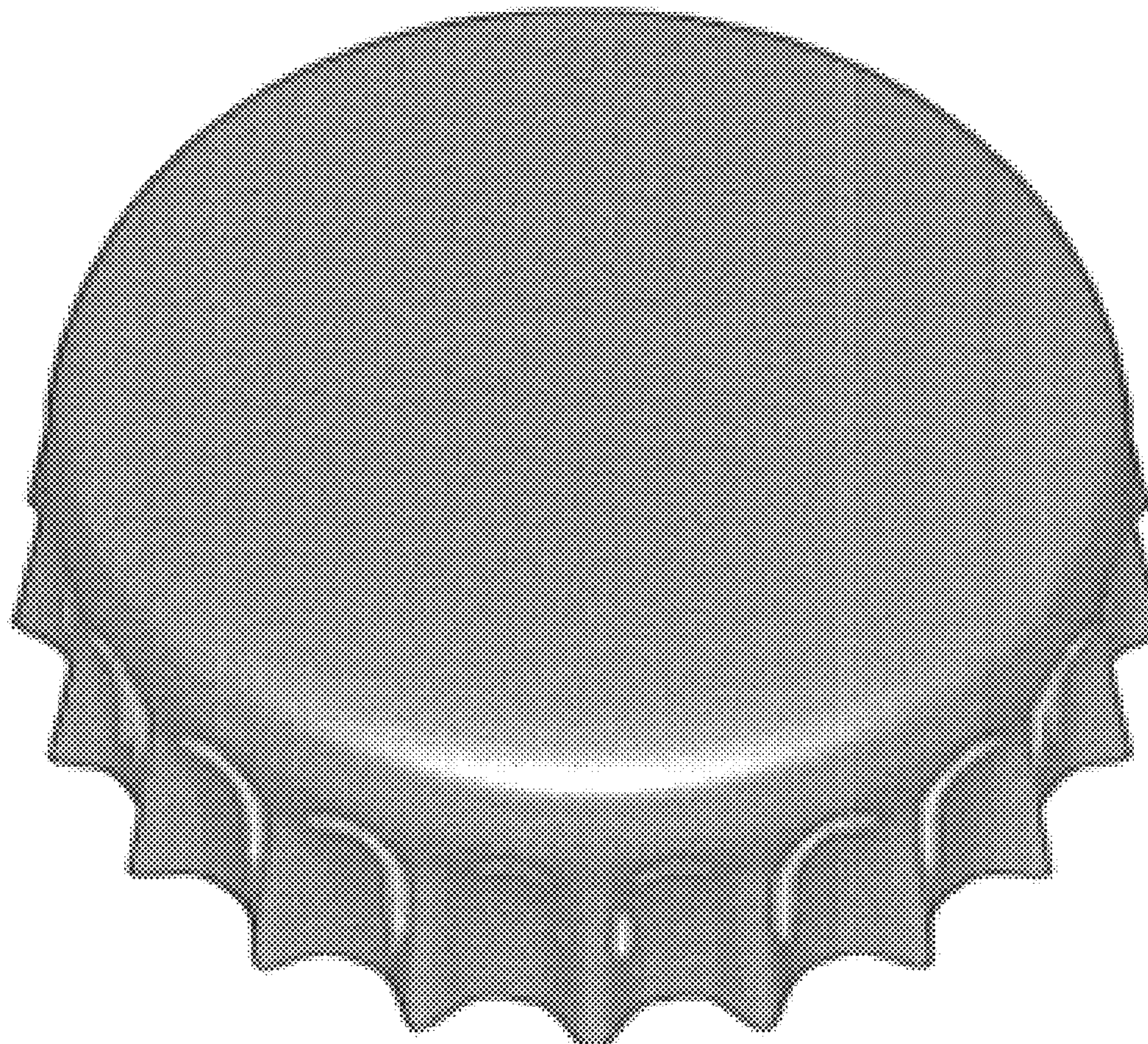
FIG. 4 is a right side view thereof;

FIG. 5 is a top view thereof;

FIG. 6 is a bottom view thereof; and,

FIG. 7 is a perspective view thereof.

**1 Claim, 2 Drawing Sheets**





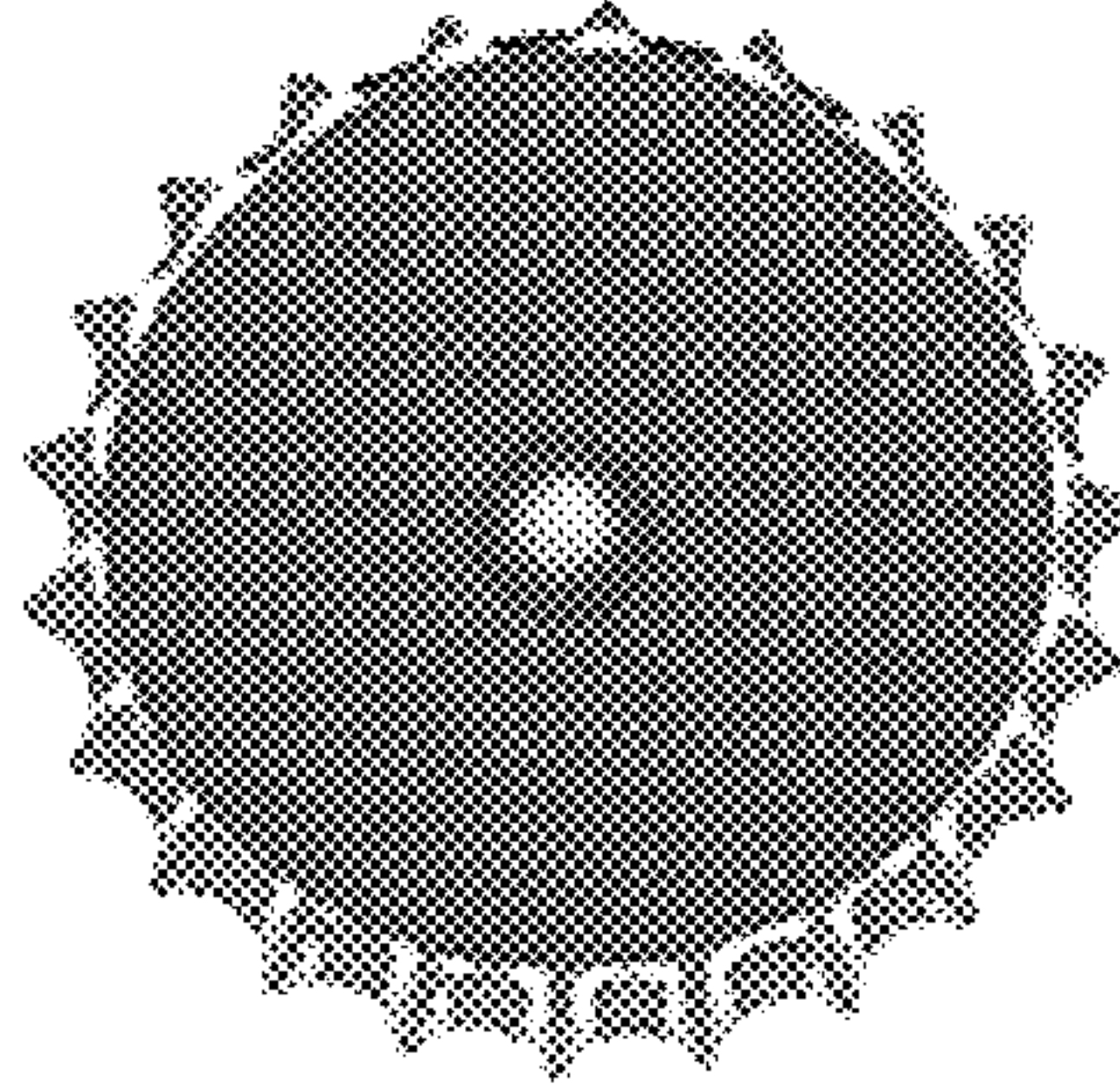


FIG. 1

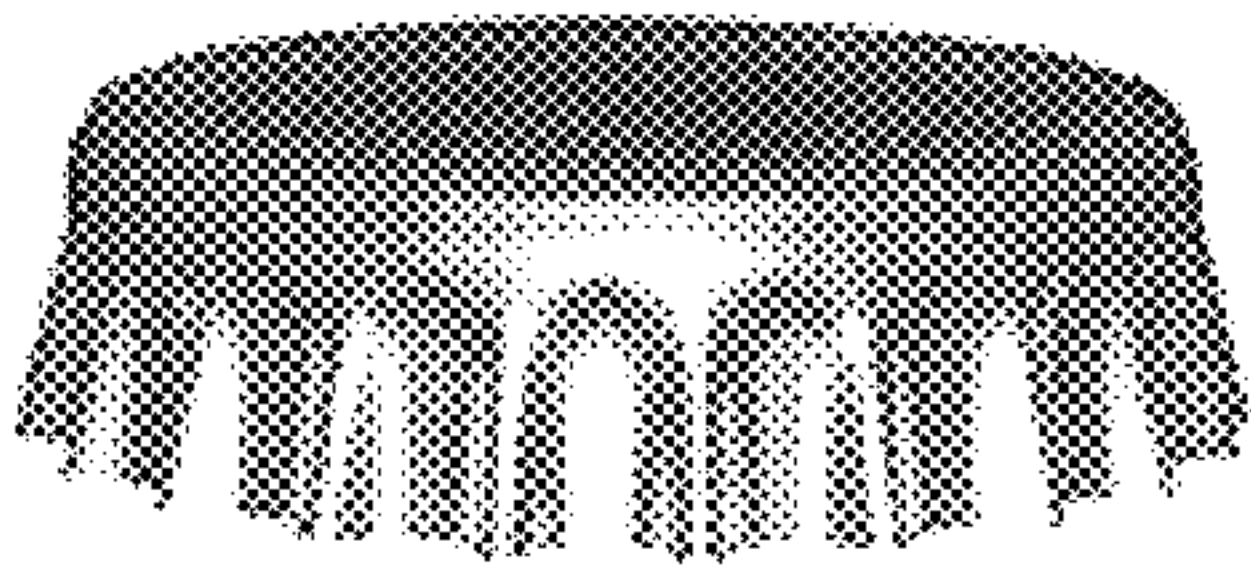


FIG. 3

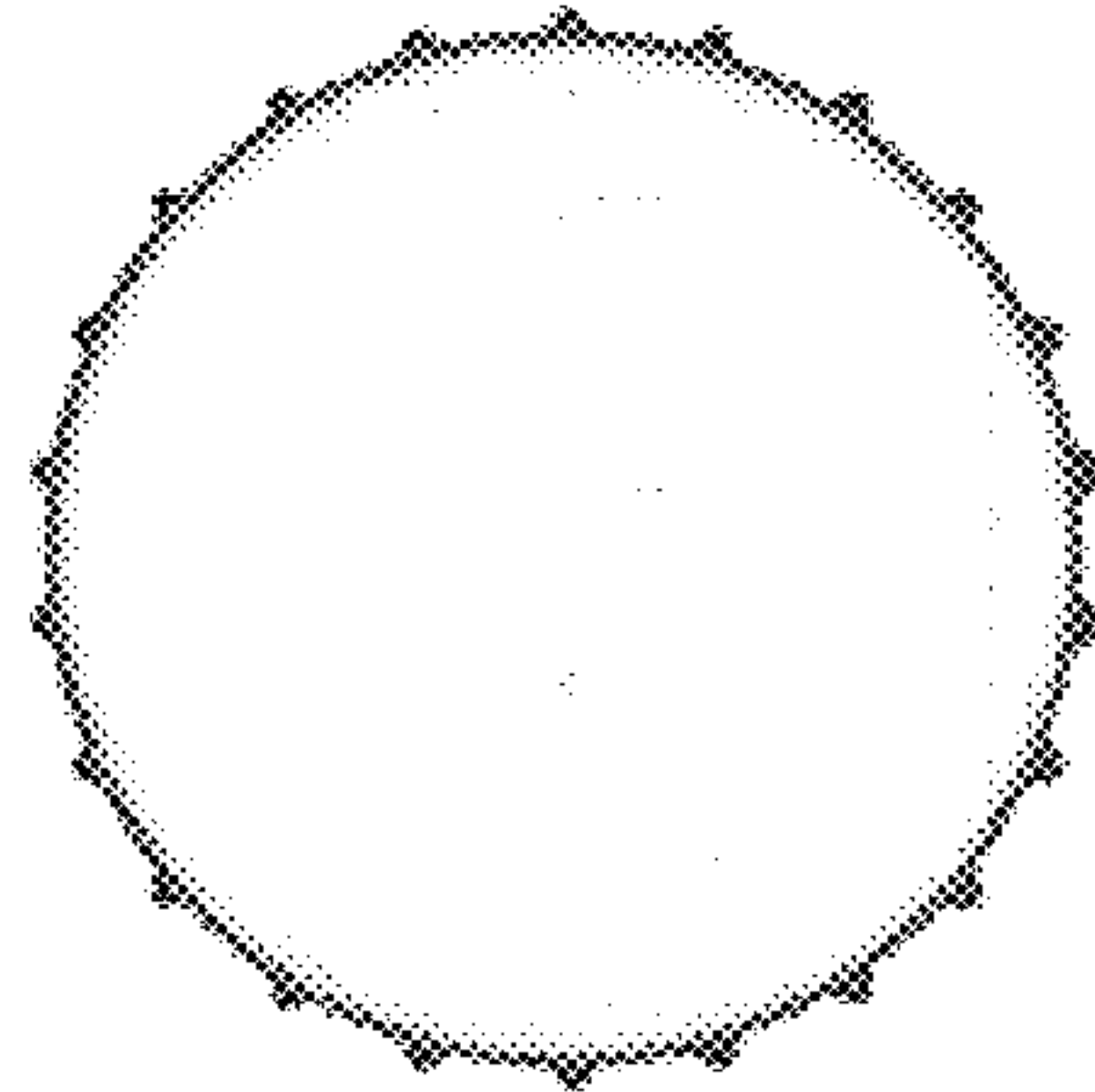


FIG. 2

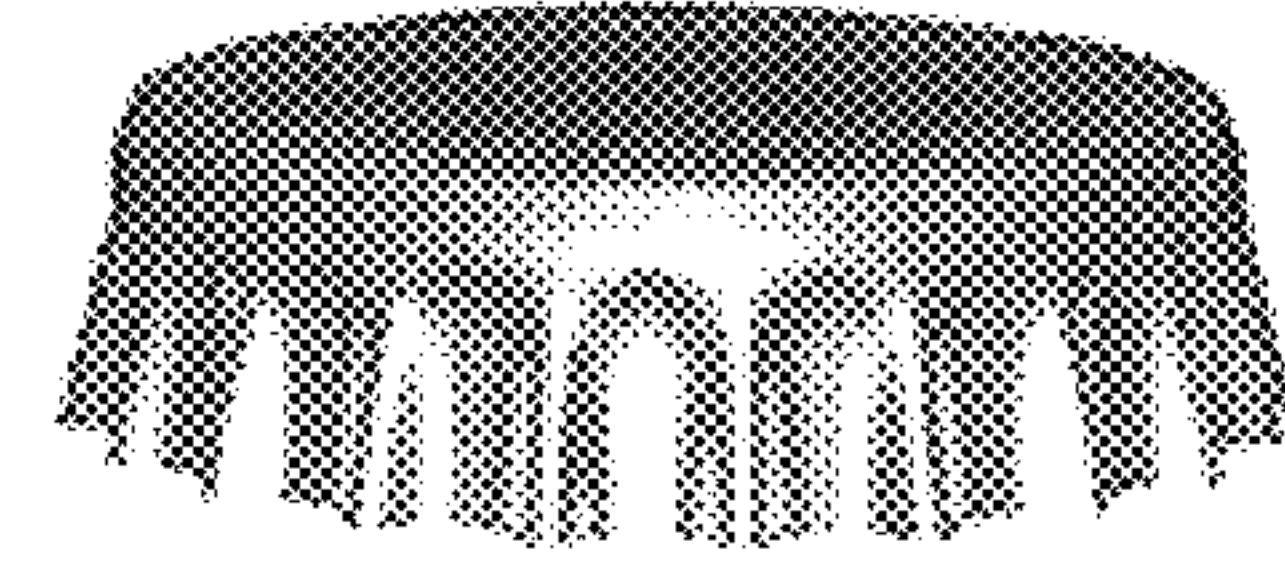


FIG. 4

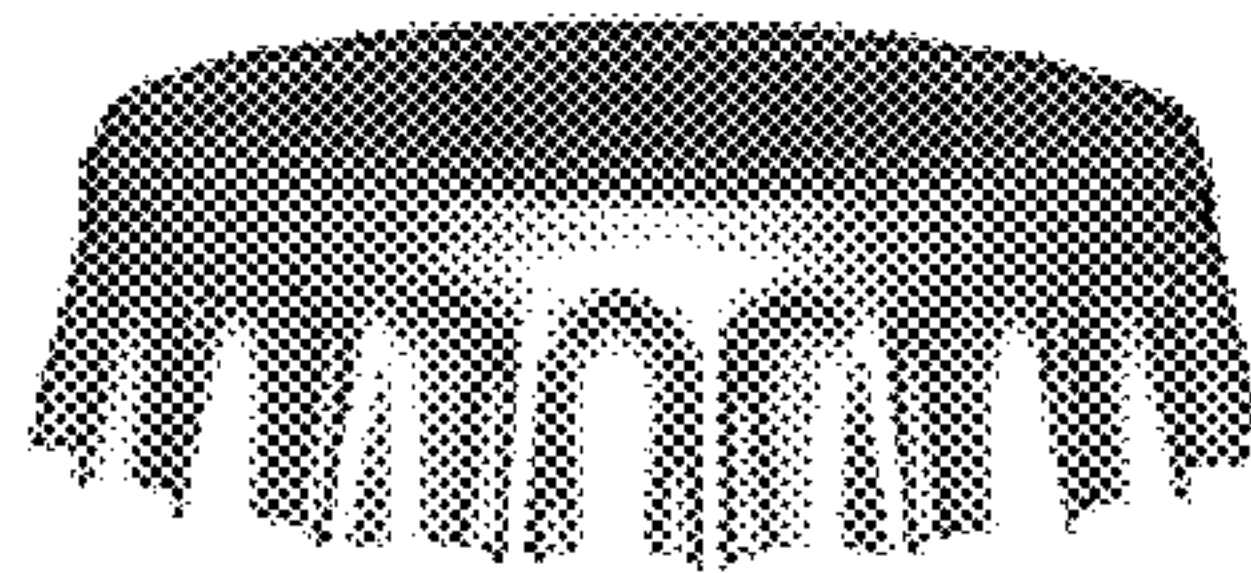


FIG. 5

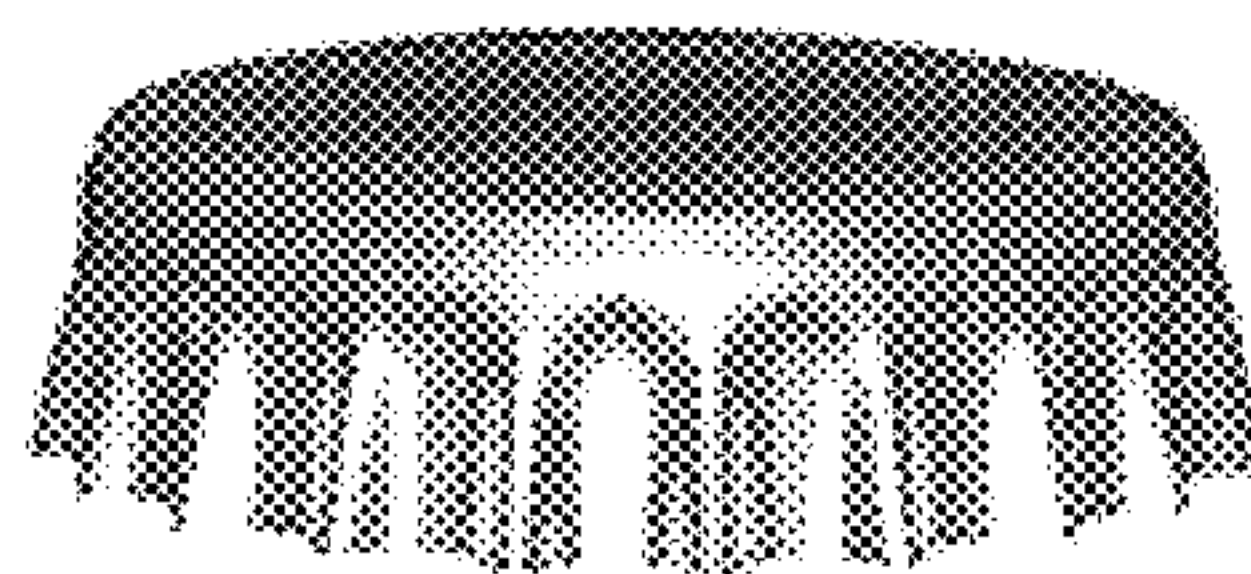
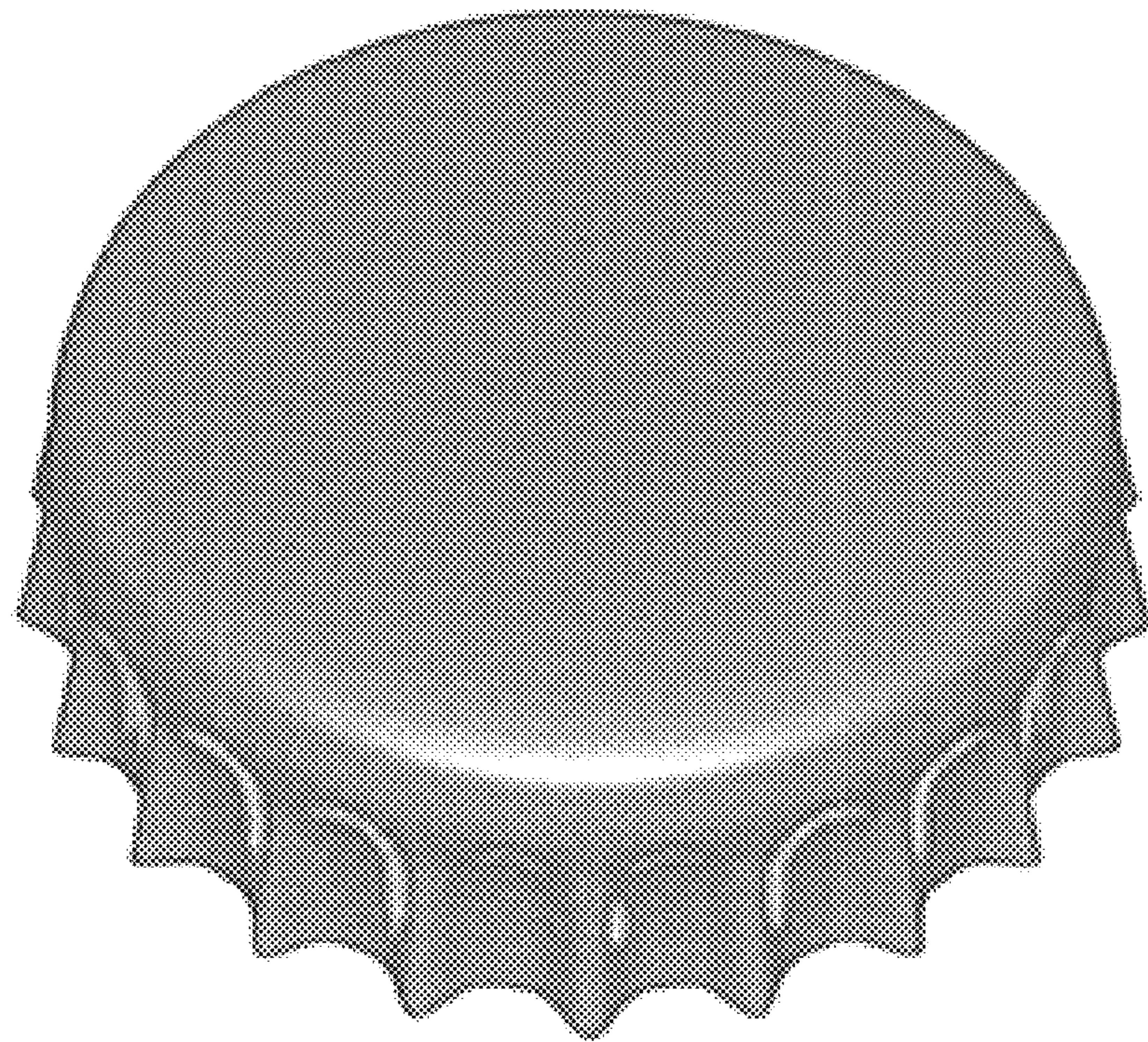


FIG. 6



**FIG.7**