

US00D492307S1

(12) **United States Design Patent**  
**Aqqad et al.**

(10) **Patent No.: US D492,307 S**  
(45) **Date of Patent: \*\* Jun. 29, 2004**

(54) **HOUSING FOR PORTABLE MEMORY UNIT**

(75) Inventors: **Ahmad Aqqad**, Bellevue, WA (US);  
**Kyu Lee**, Tacoma, WA (US)

(73) Assignee: **JM TEK LLC**, Kent, WA (US)

(\*\*) Term: **14 Years**

(21) Appl. No.: **29/173,157**

(22) Filed: **Dec. 23, 2002**

(51) **LOC (7) Cl. .... 14-02**

(52) **U.S. Cl. .... D14/356**

(58) **Field of Search** ..... D14/348, 356,  
D14/357, 358, 362, 363, 365, 367, 368,  
370; 711/115; 361/684, 685; 369/75.1,  
77.1, 77.2; 360/245.8; 365/52, 53

(56) **References Cited**

**U.S. PATENT DOCUMENTS**

D379,975 S	*	6/1997	Grewe et al.	.....	D14/385
D389,138 S	*	1/1998	Oshima et al.	.....	D14/125
D449,615 S	*	10/2001	Lloyd	.....	D14/433
6,447,140 B1	*	9/2002	Lu	.....	362/109
6,456,500 B1	*	9/2002	Chen	.....	361/752
D470,499 S	*	2/2003	Salazar et al.	.....	D14/436
6,522,534 B1	*	2/2003	Wu	.....	361/686
6,618,243 B1	*	9/2003	Tirosh	.....	361/683

2003/0099090 A1	*	5/2003	Su	.....	361/685
2003/0137859 A1	*	7/2003	Sugawara	.....	365/51
2003/0167376 A1	*	9/2003	Koh	.....	711/115

\* cited by examiner

*Primary Examiner*—Joel Sincavage

(74) *Attorney, Agent, or Firm*—Christensen O'Connor  
Johnson Kindness

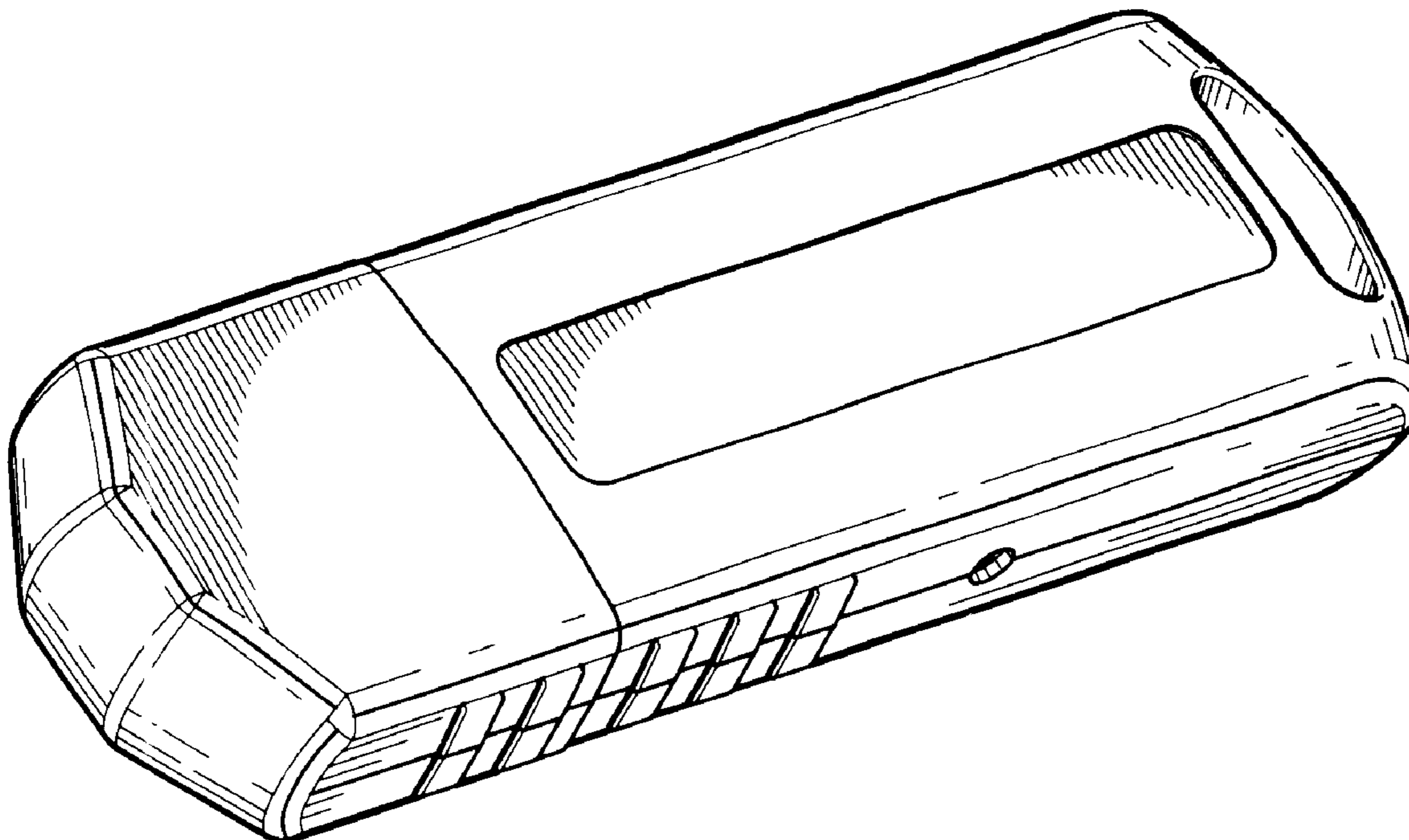
(57) **CLAIM**

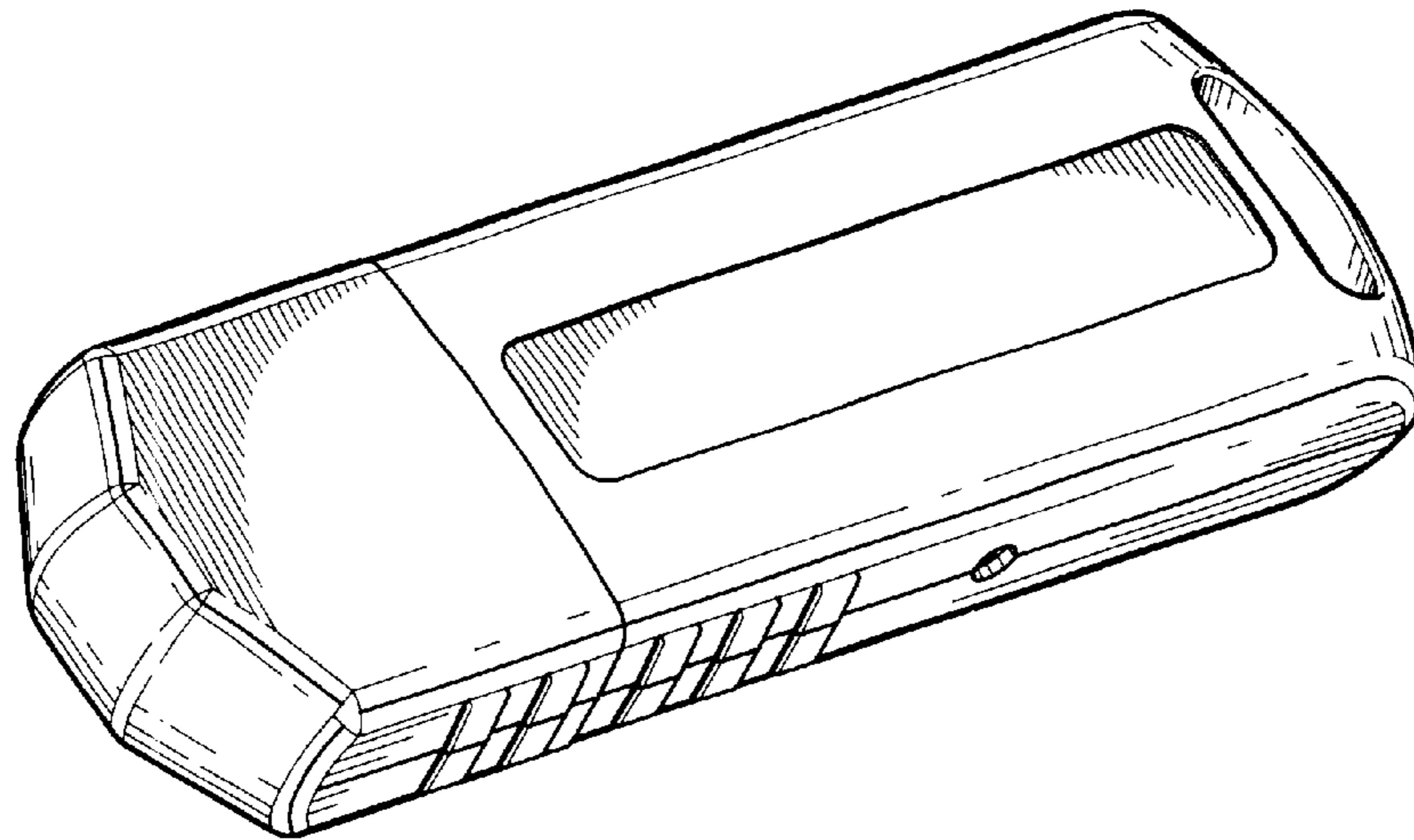
The ornamental design for a housing for portable memory unit, as shown and described.

**DESCRIPTION**

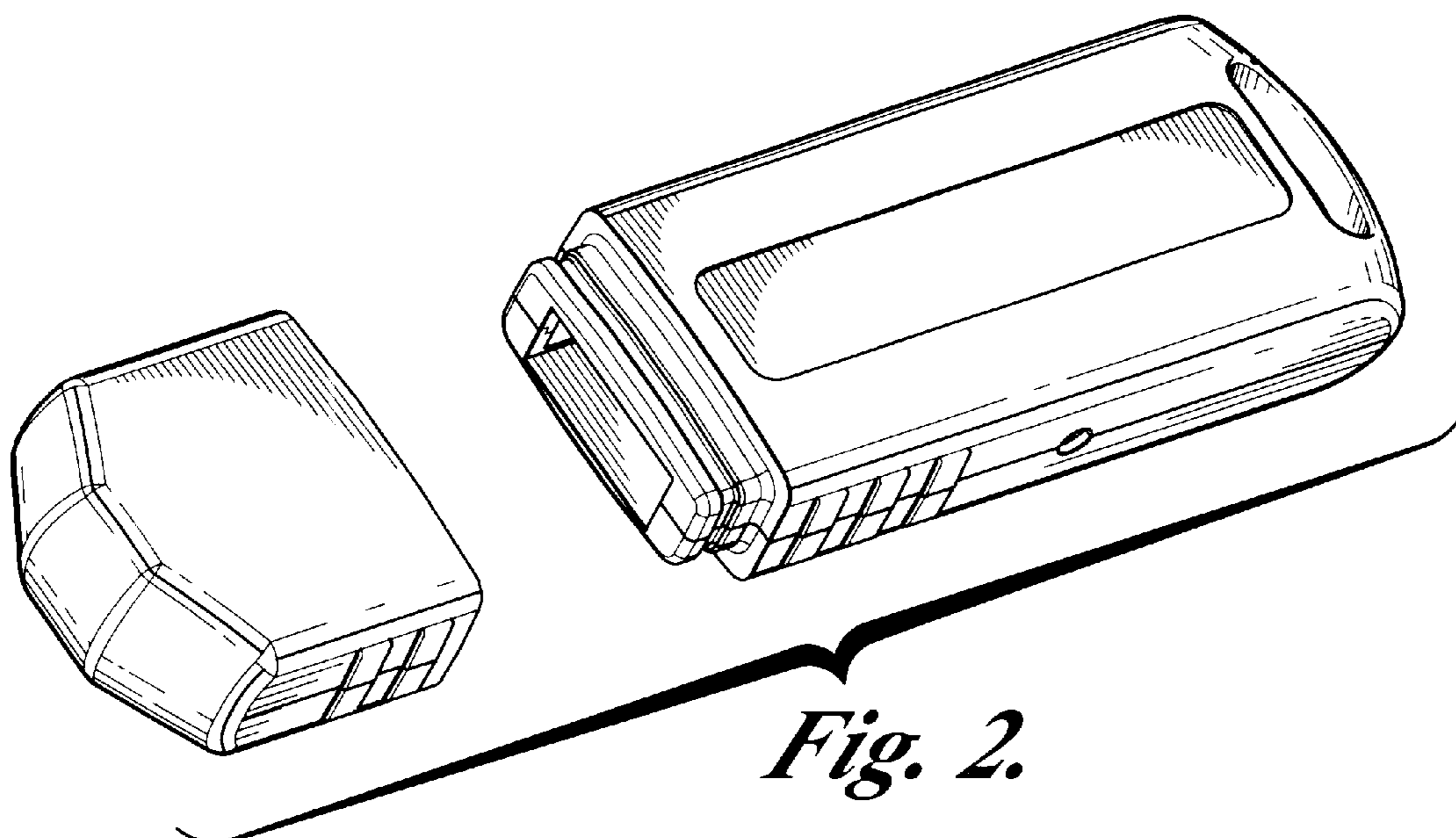
FIG. 1 is a top right perspective of the housing;  
FIG. 2 is an exploded top right perspective view of the housing of FIG. 1;  
FIG. 3 is a top view of the housing of FIG. 1;  
FIG. 4 is a bottom view of the housing of FIG. 1;  
FIG. 5 is a rear view of the housing of FIG. 1;  
FIG. 6 is a front view of the housing of FIG. 1;  
FIG. 7 is a right side view of the housing of FIG. 1; and,  
FIG. 8 is a left side view of the housing of FIG. 1.  
The parallel-line shading throughout the figures illustrates contours of the unit's surface and is not, itself, a feature of the claimed design.

**1 Claim, 2 Drawing Sheets**

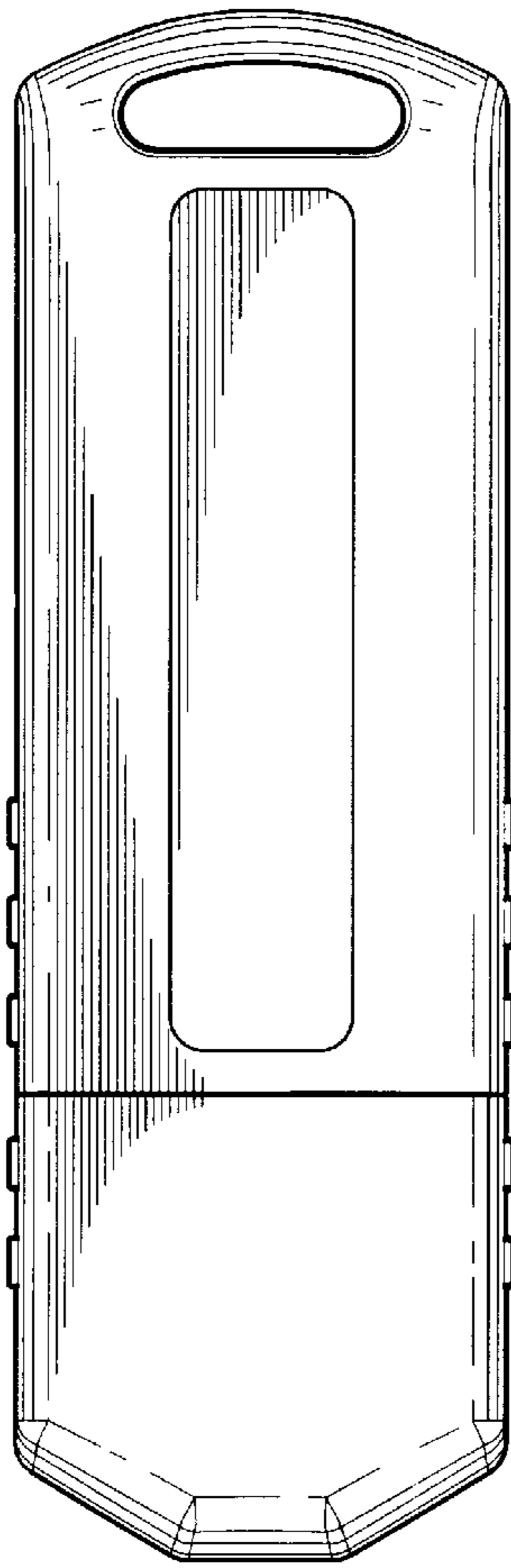




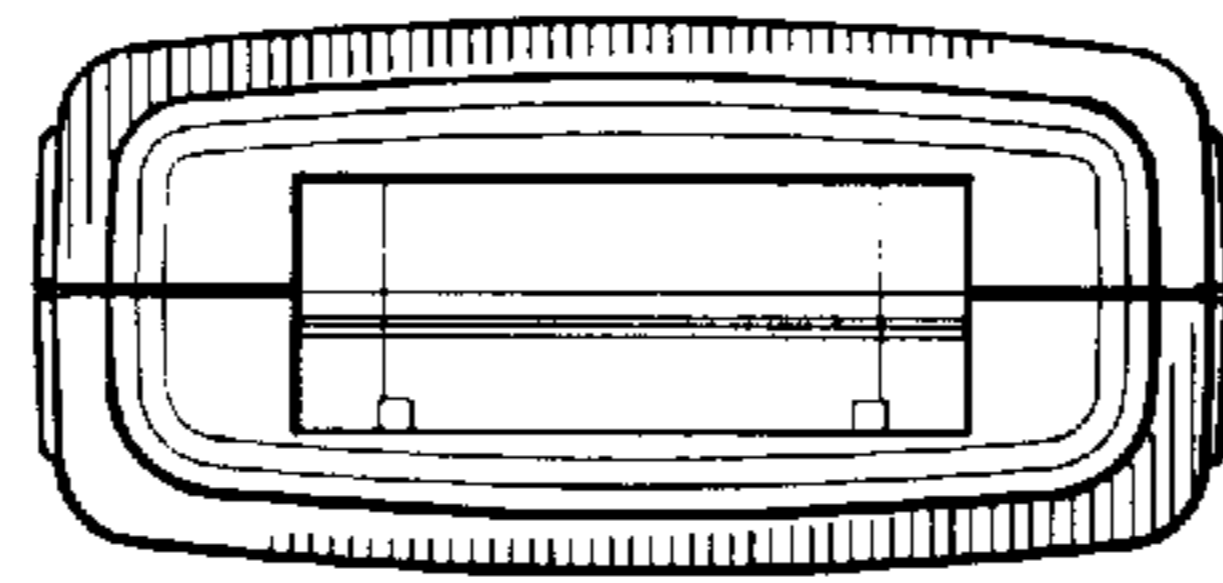
*Fig. 1.*



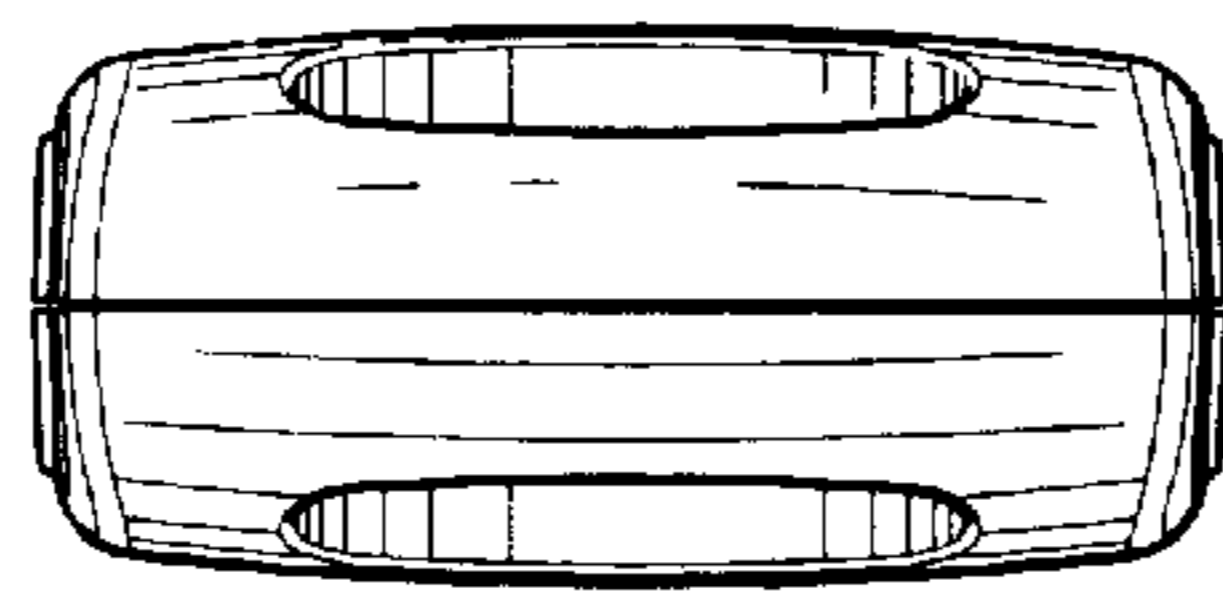
*Fig. 2.*



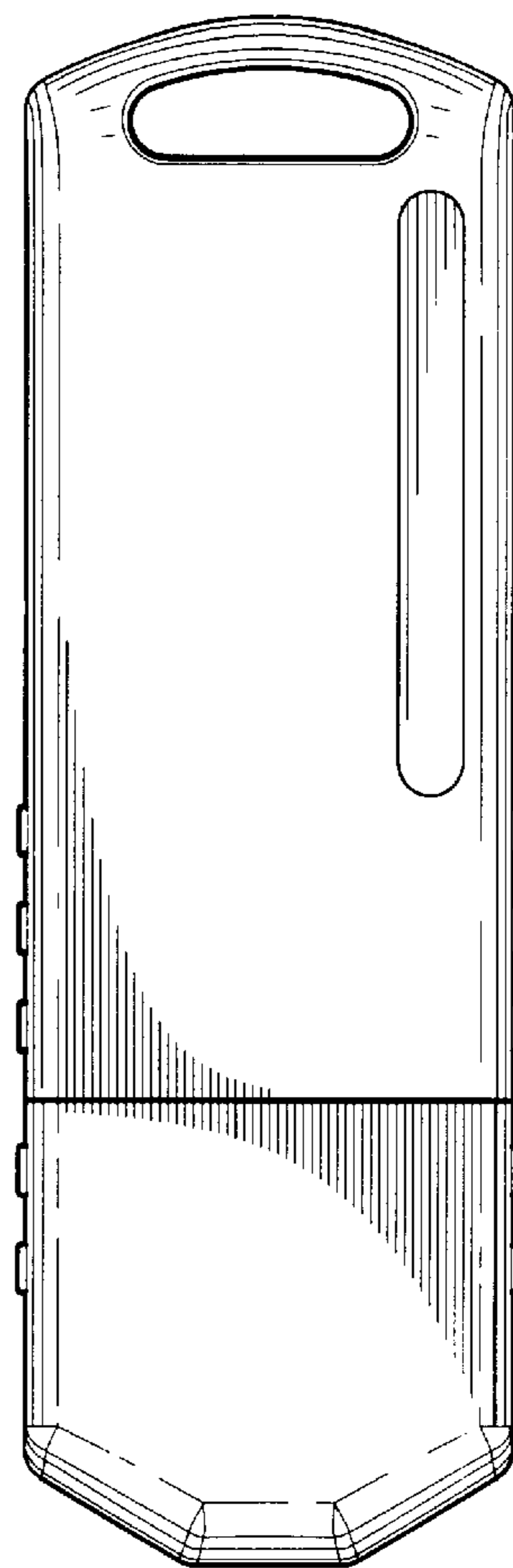
*Fig. 3.*



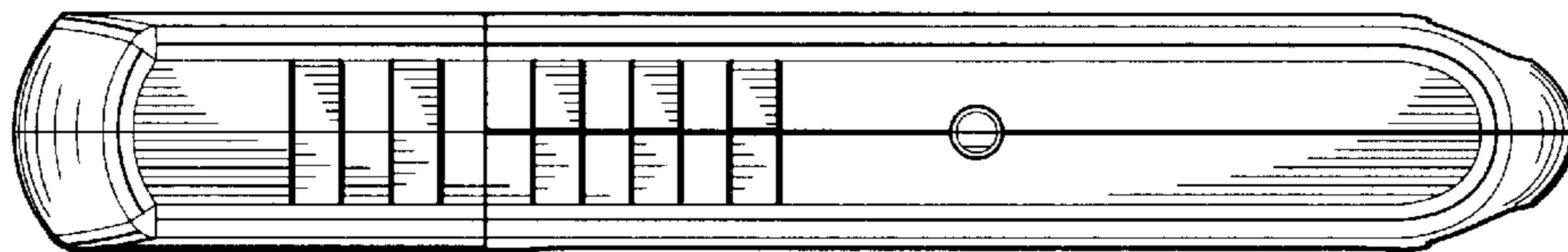
*Fig. 5.*



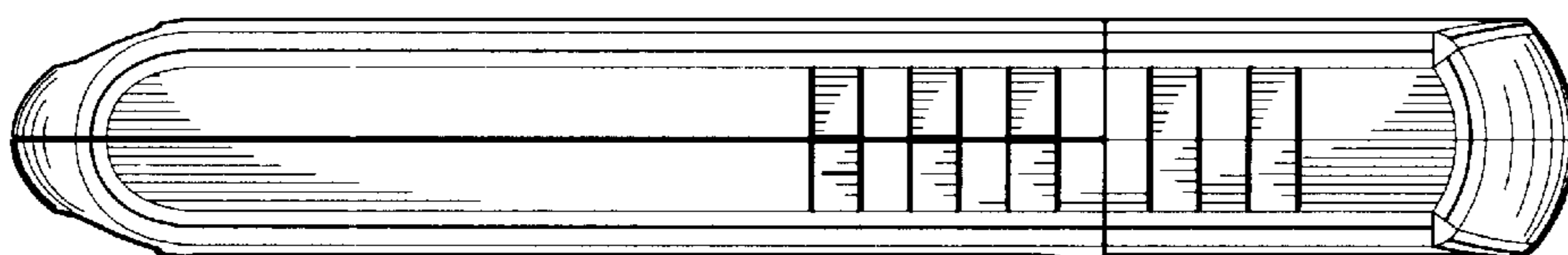
*Fig. 6.*



*Fig. 4.*



*Fig. 7.*



*Fig. 8.*