

US00D492302S1

(12) **United States Design Patent**
Whitehorn et al.

(10) **Patent No.: US D492,302 S**
(45) **Date of Patent: ** *Jun. 29, 2004**

(54) **BUSINESS LAPTOP COMPUTER**

(75) Inventors: **Symon Whitehorn**, San Francisco, CA (US); **Darren Blum**, San Francisco, CA (US)

(73) Assignee: **Hewlett-Packard Development Company, L.P.**, Houston, TX (US)

(*) Notice: This patent is subject to a terminal disclaimer.

(**) Term: **14 Years**

(21) Appl. No.: **29/177,264**

(22) Filed: **Mar. 3, 2003**

Related U.S. Application Data

(63) Continuation-in-part of application No. 29/169,997, filed on Oct. 30, 2002, now Pat. No. Des. 480,080.

(51) **LOC (7) Cl. 14-02**

(52) **U.S. Cl. D14/328**

(58) **Field of Search** D14/318-328;
D18/1, 2, 7; 235/145 A, 145 R; 341/22,
23; 345/156, 168, 169, 172, 173, 87; 349/12;
361/680-686

(56) **References Cited**

U.S. PATENT DOCUMENTS

5,103,376 A * 4/1992 Blonder 361/681
D464,344 S * 10/2002 Jobs et al. D14/318

* cited by examiner

Primary Examiner—Freda S. Nunn

(74) *Attorney, Agent, or Firm*—Lloyd E. Dakin, Jr.

(57) **CLAIM**

The ornamental design for a business laptop computer, as shown and described.

DESCRIPTION

FIG. 1 is a perspective view of a business laptop computer showing the new design;

FIG. 2 is a front elevational view thereof;

FIG. 3 is a rear elevational view thereof;

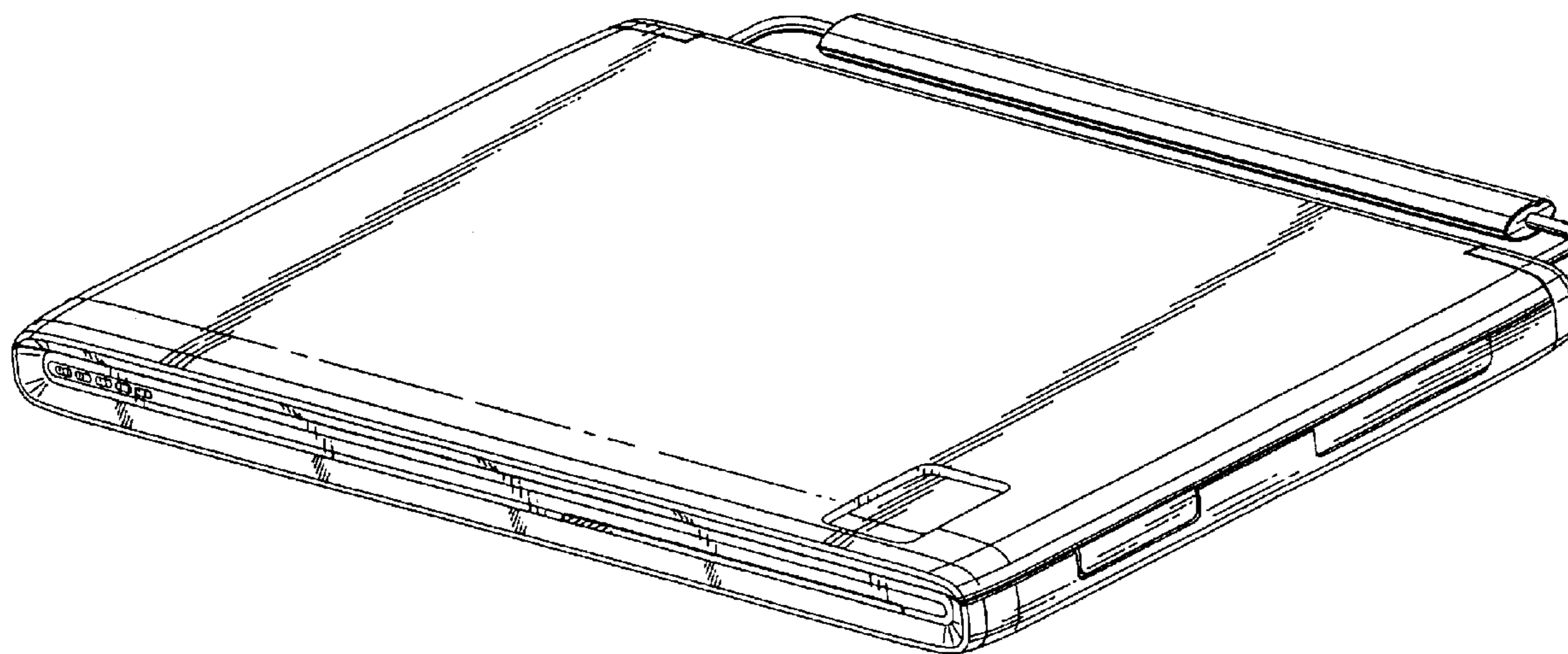
FIG. 4 is a left side elevational view thereof;

FIG. 5 is a right side elevational view thereof;

FIG. 6 is a top plan view thereof; and,

FIG. 7 is a bottom plan view thereof.

1 Claim, 5 Drawing Sheets



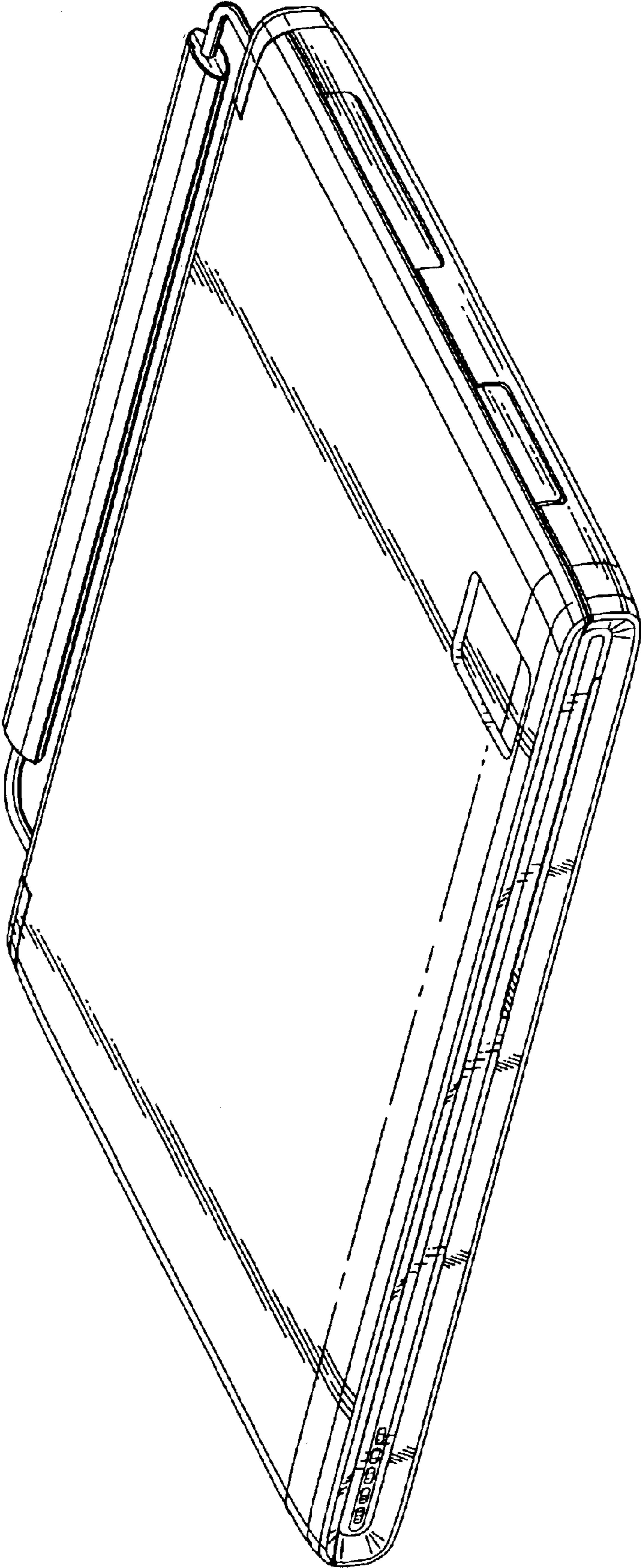


Figure 1



Figure 2



Figure 3

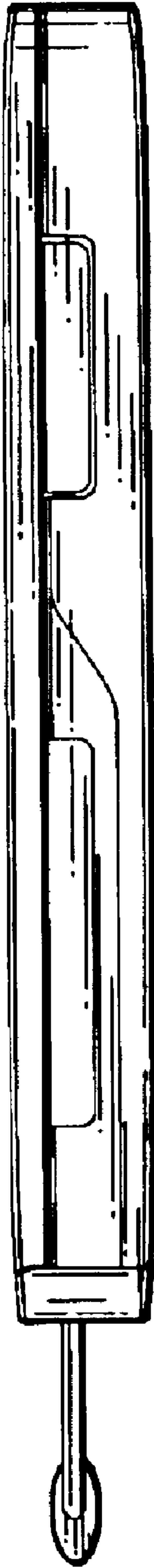


Figure 4

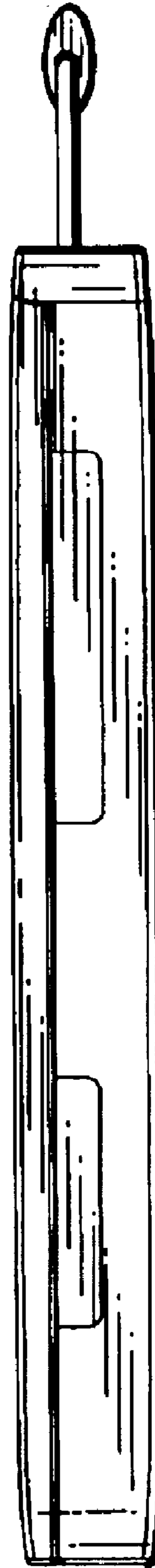


Figure 5

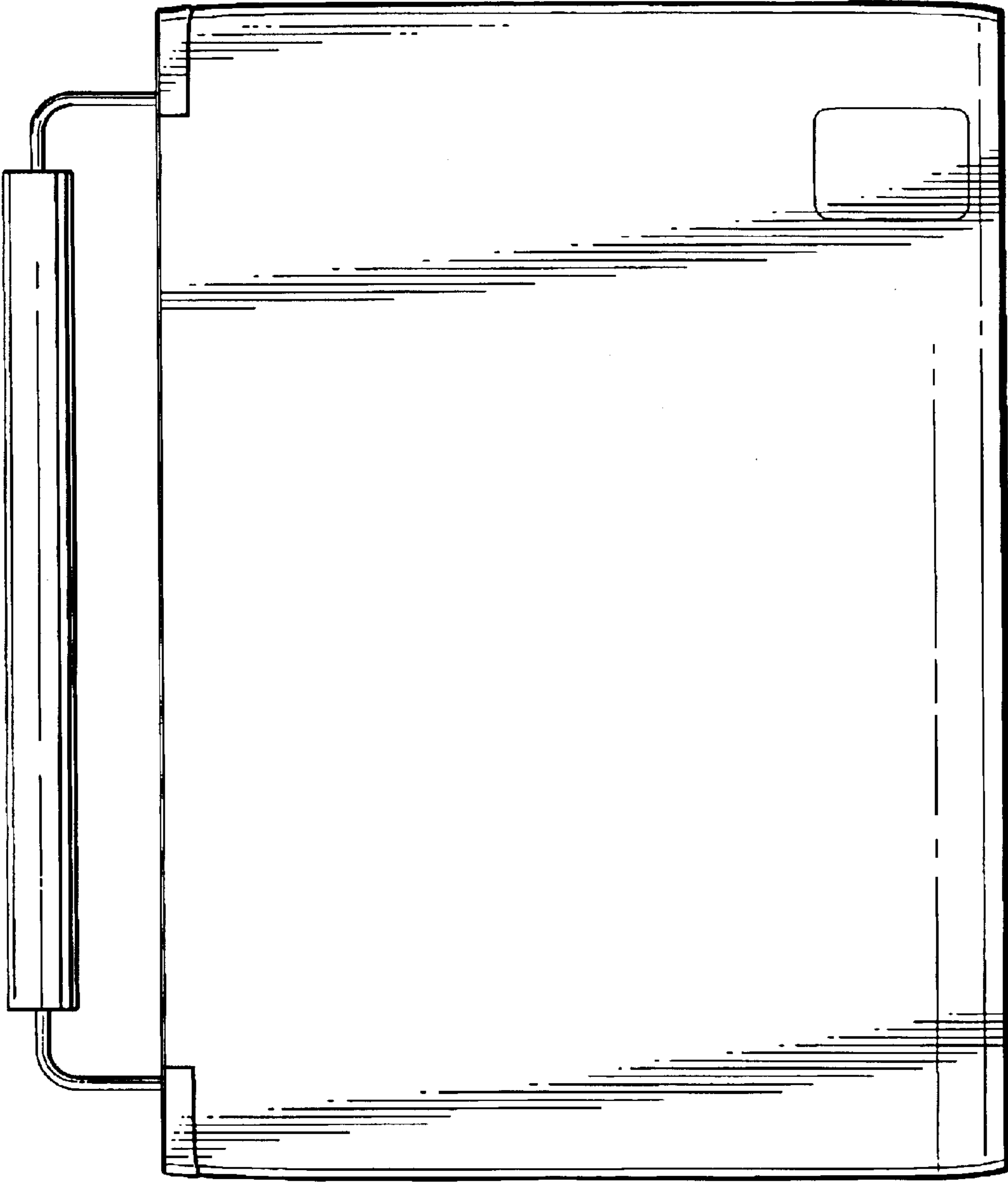


Figure 6

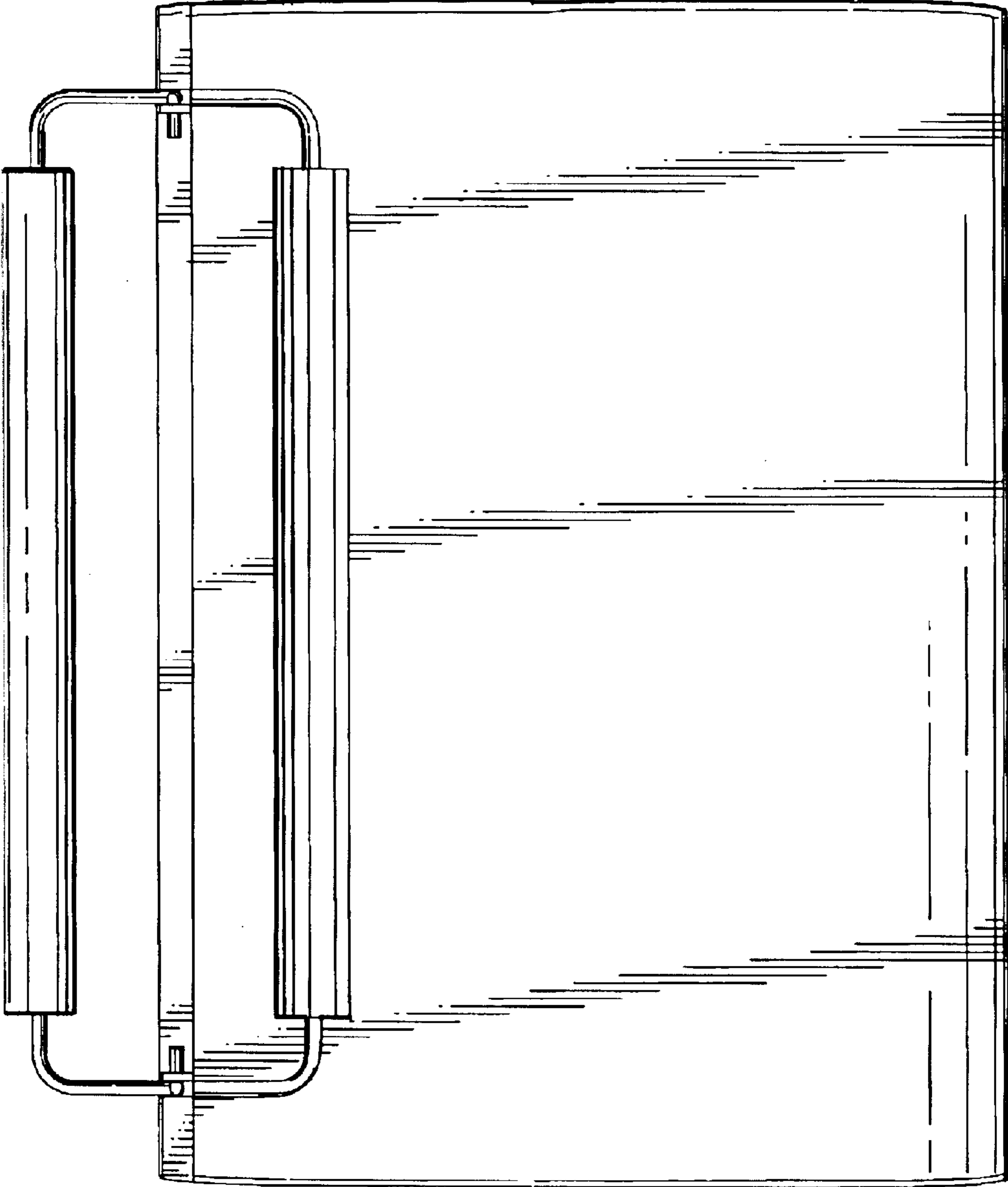


Figure 7