

US00D492299S1

(12) **United States Design Patent**
Eguchi et al.

(10) **Patent No.:** **US D492,299 S**
(45) **Date of Patent:** **** Jun. 29, 2004**

(54) **BACK COVER PORTION OF A HANDSET**

D474,165 S * 5/2003 Buessler D14/138
D481,368 S * 10/2003 Helin D14/138
D482,026 S * 11/2003 Helin D14/248
D482,353 S * 11/2003 Helin D14/248

(75) Inventors: **Shunjiro Eguchi**, Salo (FI); **Ilkka Husgafvel**, Helsinki (FI)

(73) Assignee: **Nokia Corporation**, Espoo (FI)

(**) Term: **14 Years**

(21) Appl. No.: **29/180,901**

(22) Filed: **May 2, 2003**

(30) **Foreign Application Priority Data**

Nov. 4, 2002 (FI) M20020652

(51) **LOC (7) Cl.** **14-03**

(52) **U.S. Cl.** **D14/248**

(58) **Field of Search** D14/137, 240,
D14/138, 218, 147-148, 247-248, 144,
191, 341-347; 379/433.01-433.13, 419,
434, 428.01-428.04, 420.01-420.04, 440;
455/550.1-90.3; D21/517, 329, 331, 333;
D13/103, 119, 168; D18/2, 7

(56) **References Cited**

U.S. PATENT DOCUMENTS

D348,437 S * 7/1994 Chan D14/345
D409,226 S * 5/1999 Kurabuti et al. D14/345
D413,325 S * 8/1999 Lee D14/138
D428,413 S * 7/2000 Fullerton D14/345
D430,872 S * 9/2000 Tamaki et al. D14/345
D444,466 S * 7/2001 Nishida D14/345
D446,517 S * 8/2001 Arpe D14/345
6,301,100 B1 * 10/2001 Iwata 361/683
D453,149 S * 1/2002 Skoger et al. D14/138
D459,717 S * 7/2002 Bohne D14/218
D460,070 S * 7/2002 Chang D14/392

FOREIGN PATENT DOCUMENTS

WO DM/058 924 3/2002

* cited by examiner

Primary Examiner—Jeffrey Asch

(74) *Attorney, Agent, or Firm*—Banner & Witcoff, Ltd.

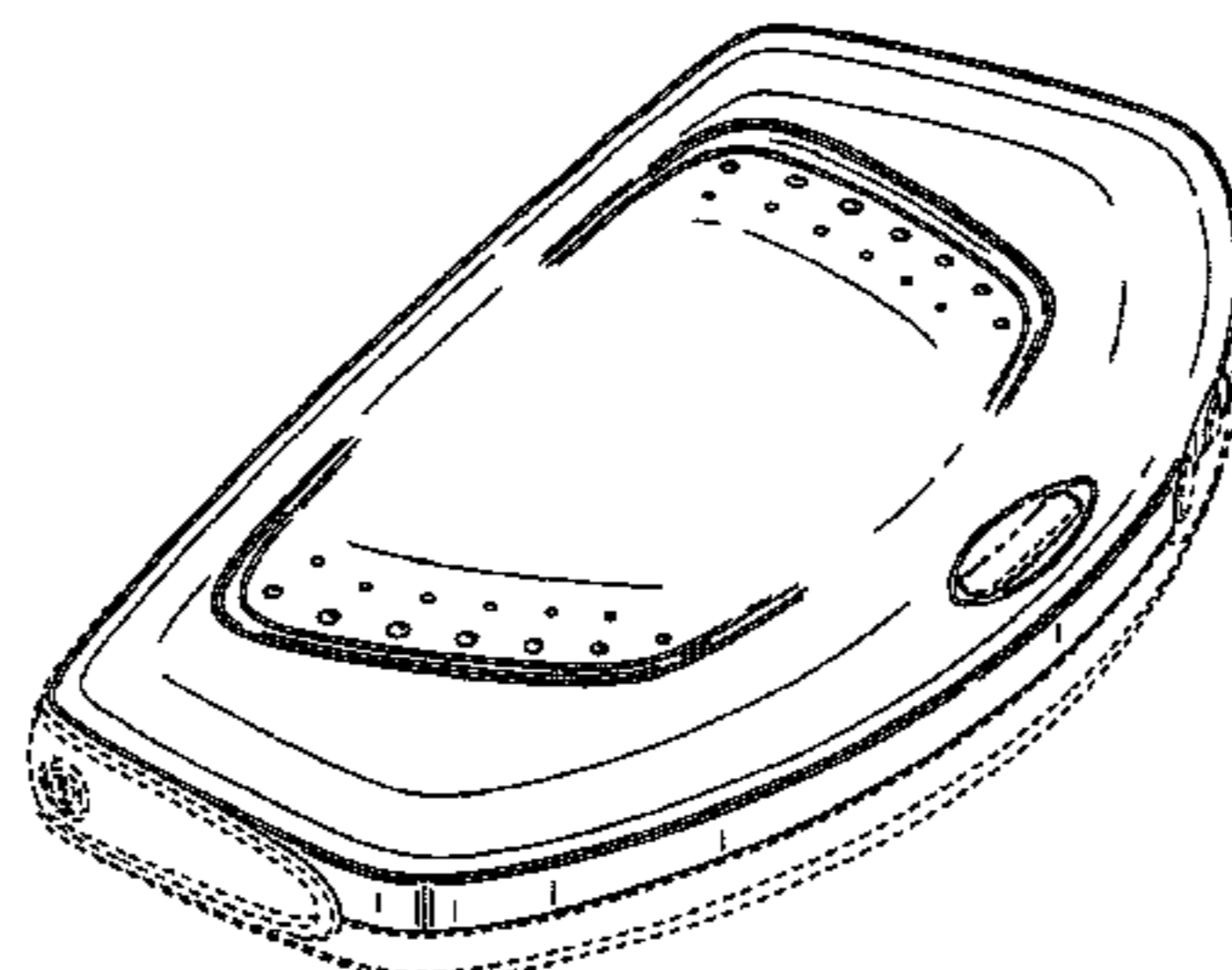
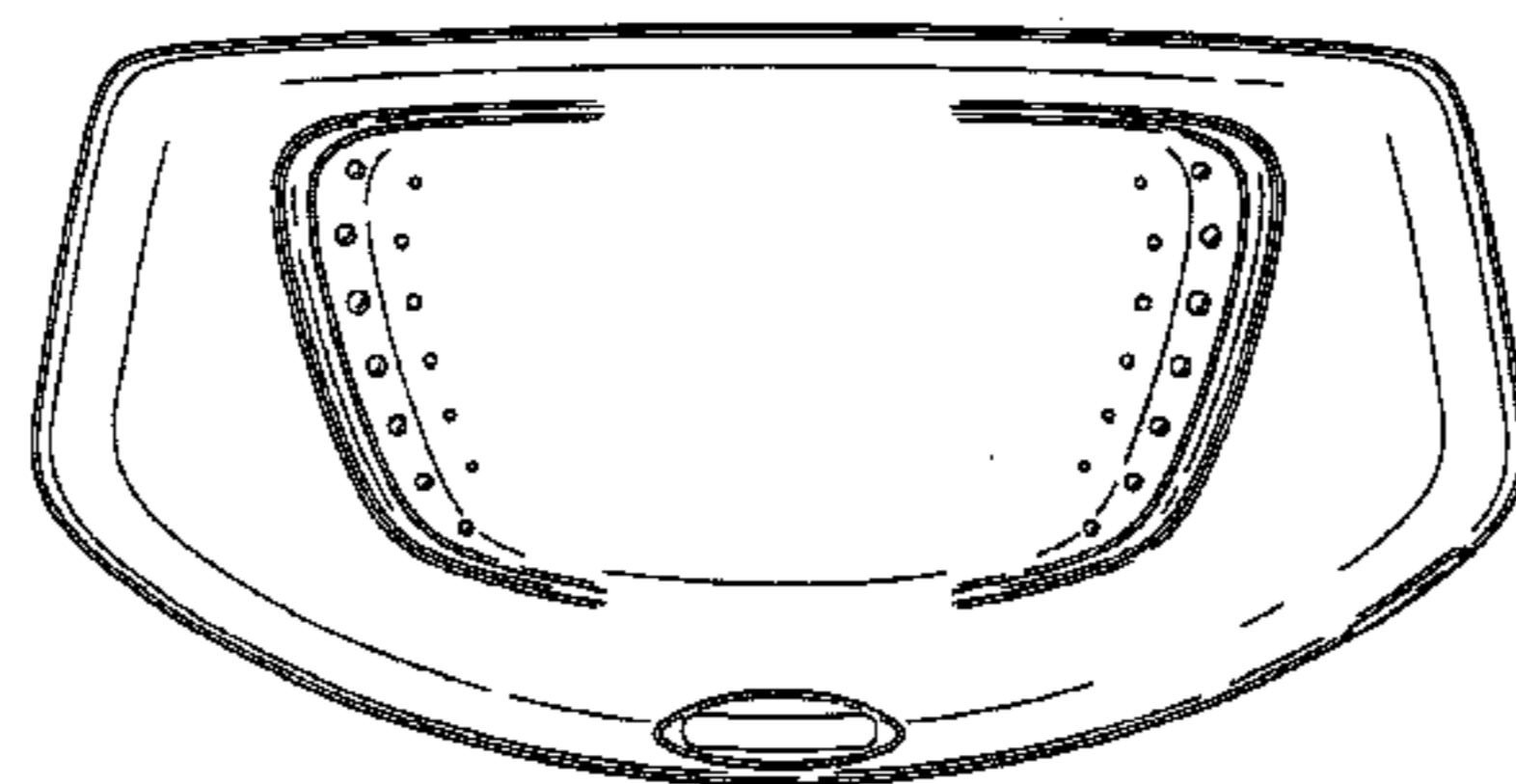
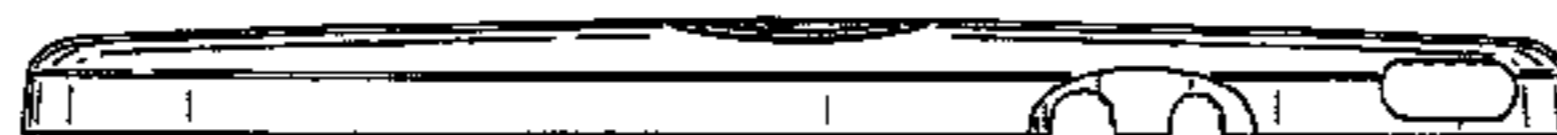
(57) **CLAIM**

The ornamental design for a back cover portion of a handset, as shown and described.

DESCRIPTION

FIG. 1 is a bottom view of a back cover portion of a handset showing our new design with a back cover of a handset shown in isolation;
FIG. 2 is a front view thereof;
FIG. 3 is a right side view thereof;
FIG. 4 is a left side view thereof;
FIG. 5 is a perspective front view thereof;
FIG. 6 is a bottom view of the back cover portion of the handset showing our new design;
FIG. 7 is a front view thereof;
FIG. 8 is a top plan view thereof;
FIG. 9 is a left side view thereof;
FIG. 10 is a right side view thereof; and,
FIG. 11 is a perspective front.
The uneven broken line showing the internal surfaces and tabs in FIGS. 1-5 and the uneven broken line showing the remainder of the handset in FIGS. 6-11 is for illustrative purposes only and forms no part of the claimed design.

1 Claim, 4 Drawing Sheets



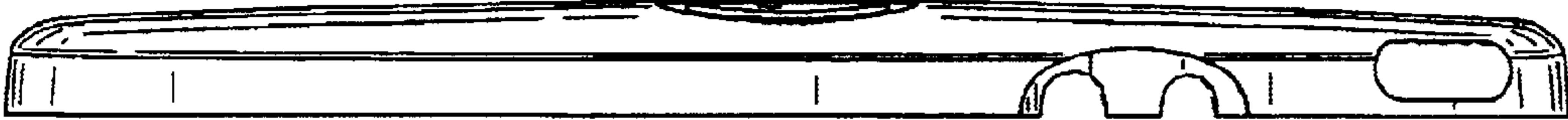


FIG. 1

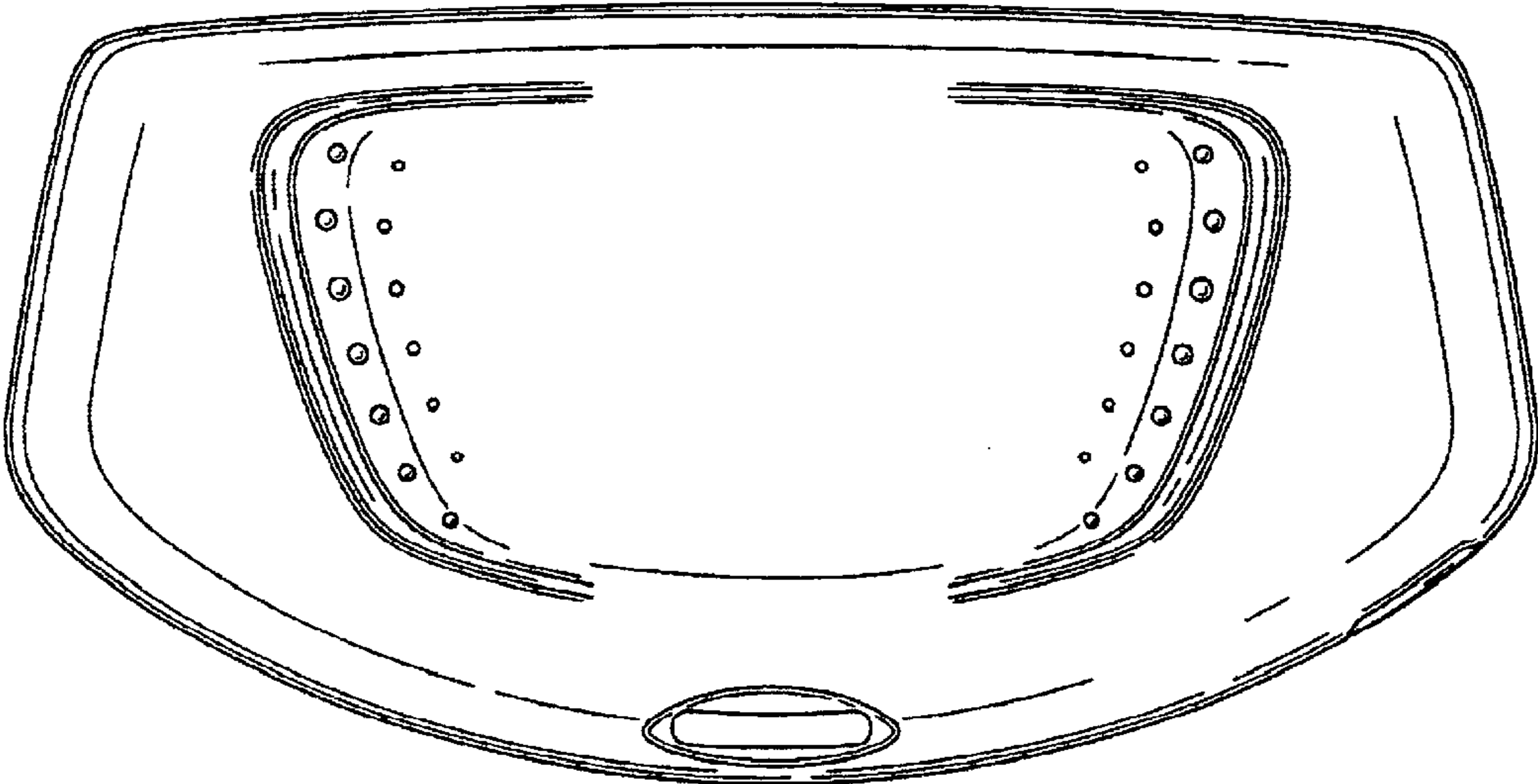


FIG. 2

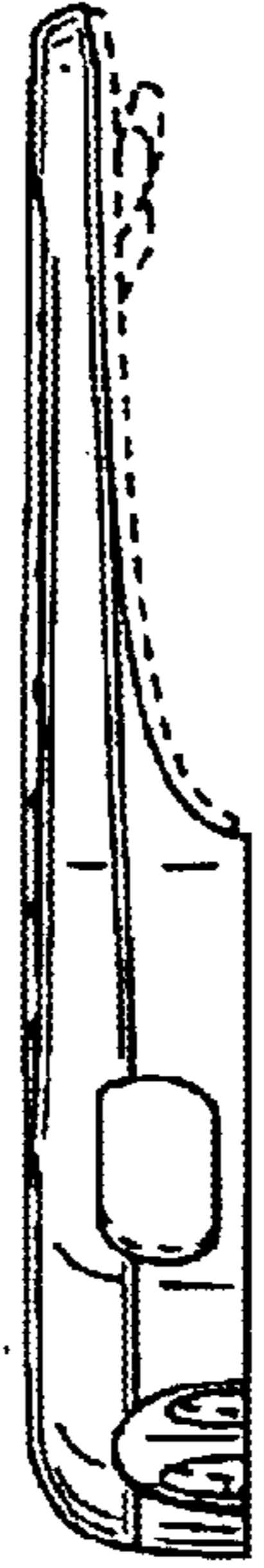


FIG. 3



FIG. 4

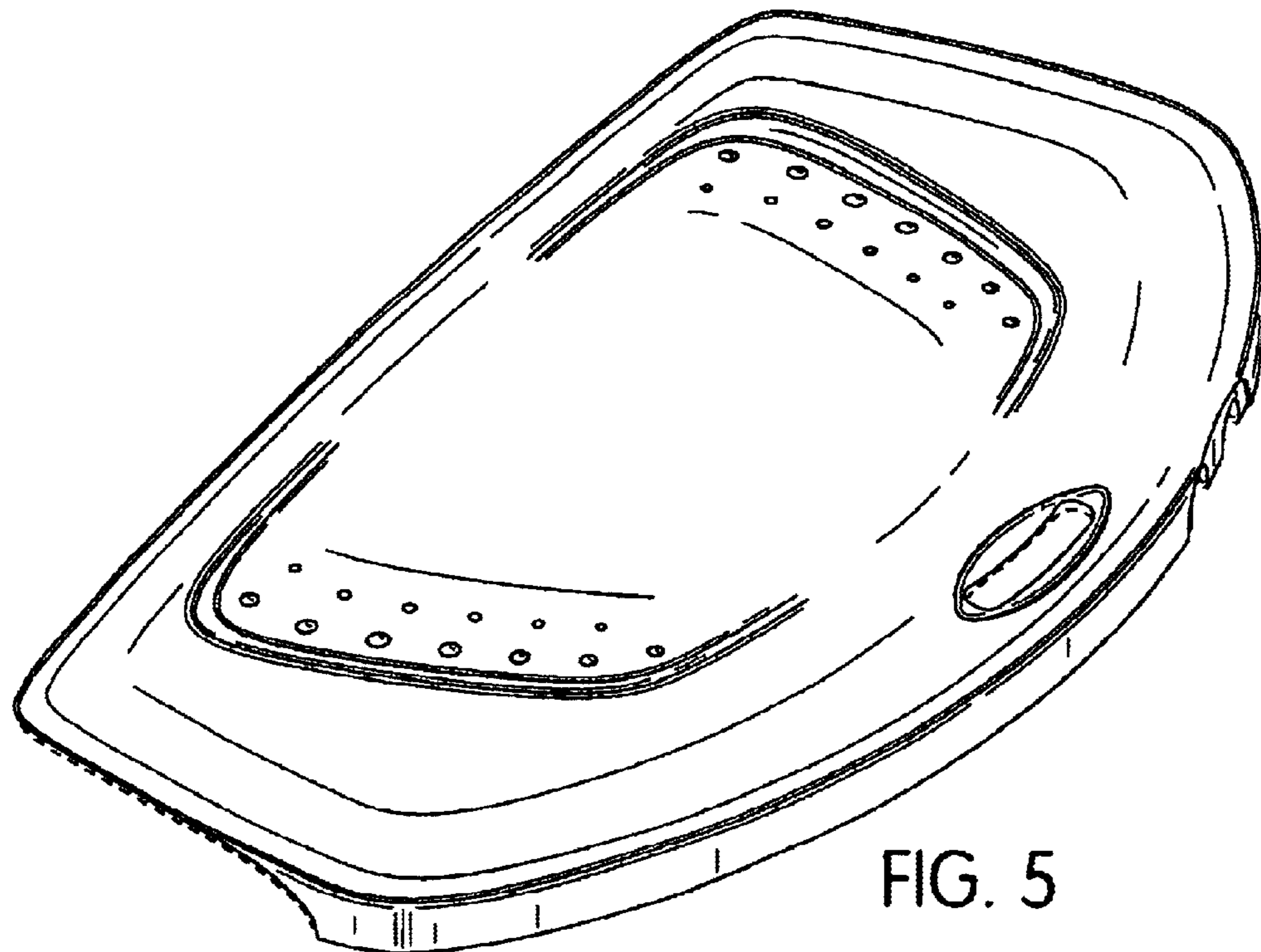


FIG. 5

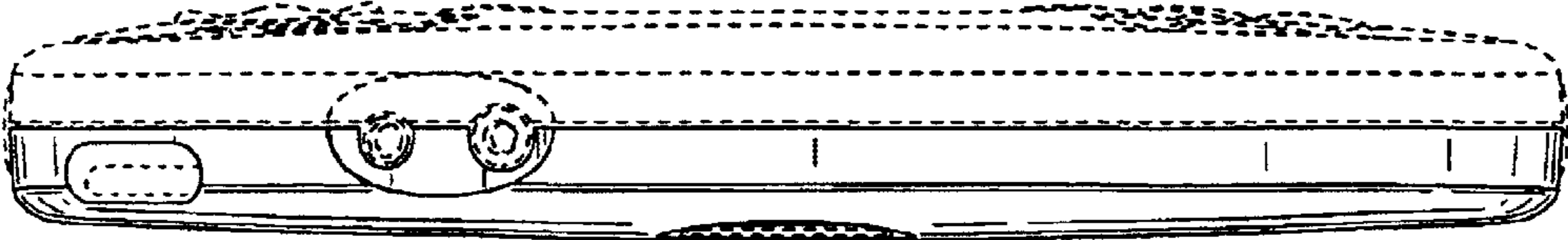


FIG. 6

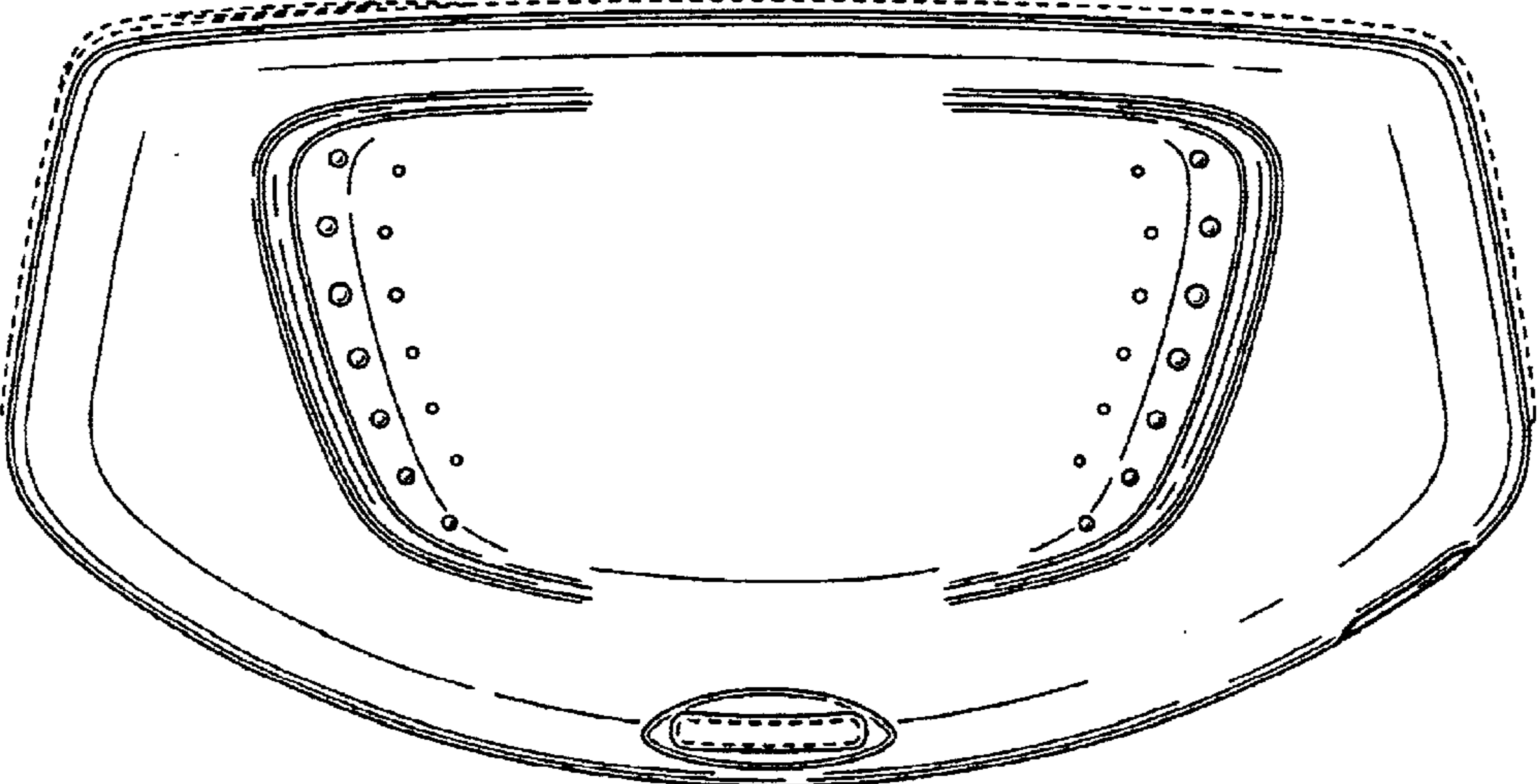


FIG. 7

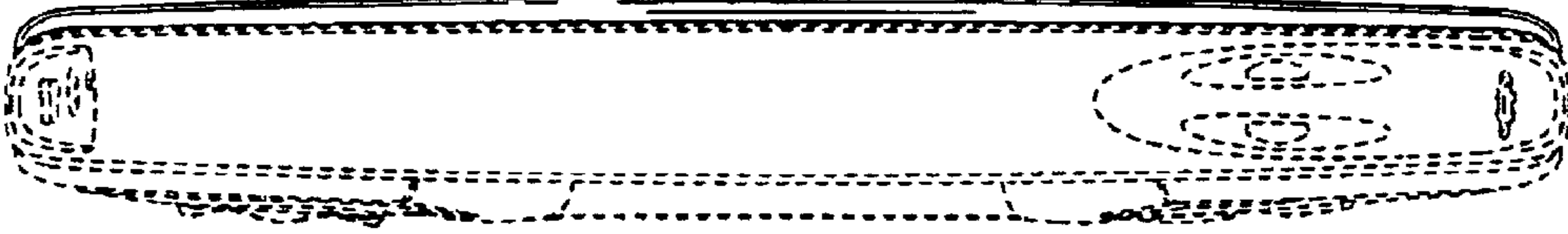


FIG. 8

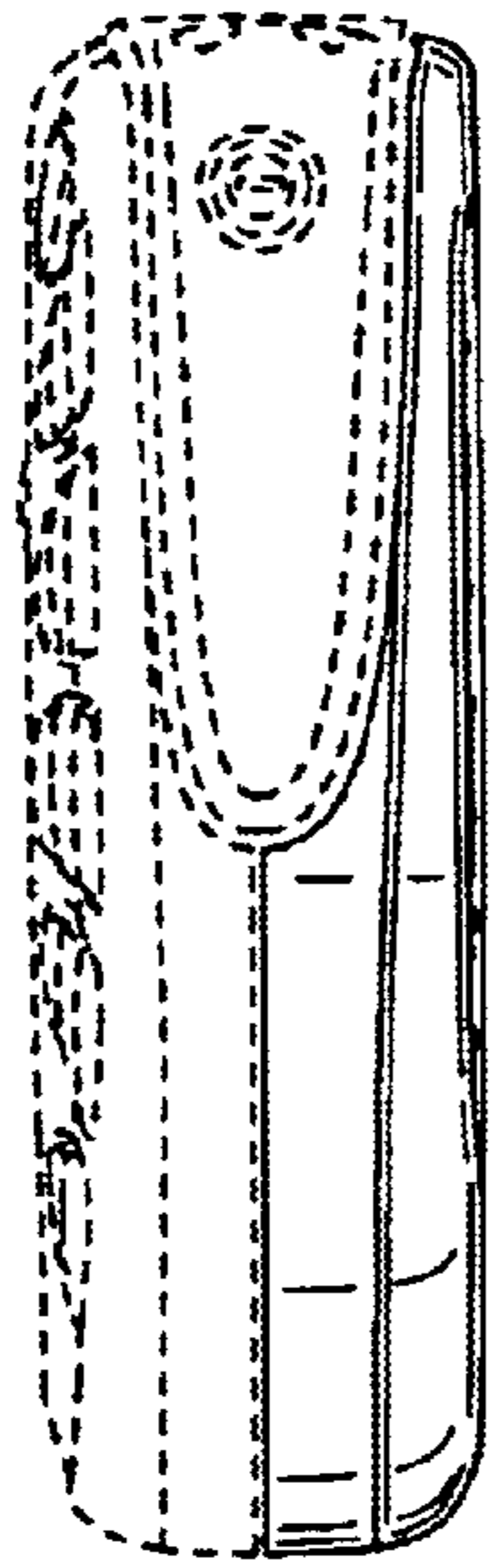


FIG. 9

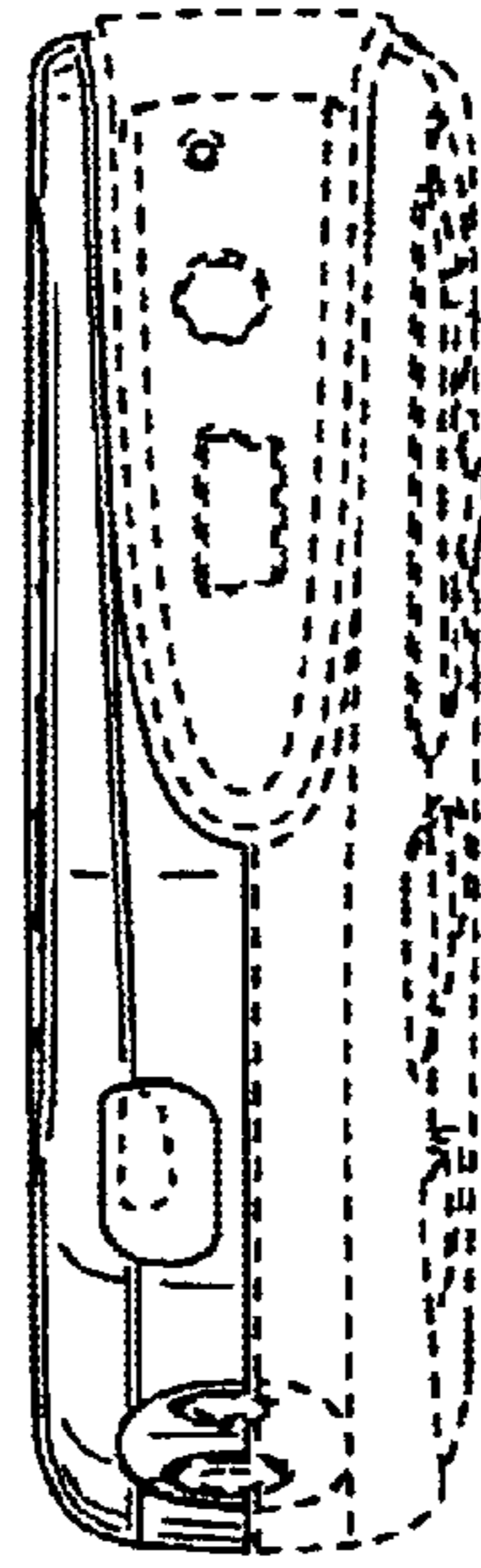


FIG. 10

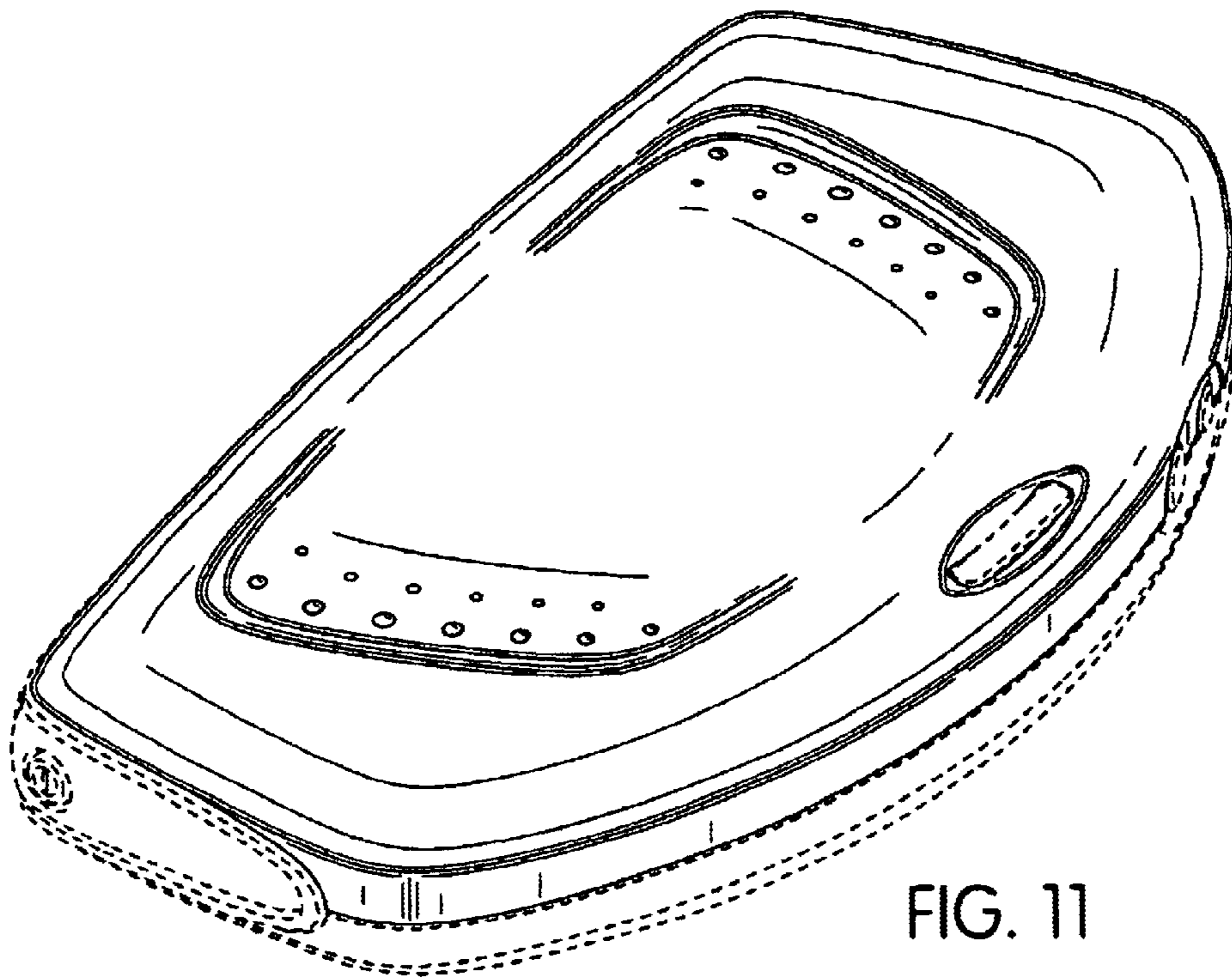


FIG. 11