



US00D492292S1

(12) **United States Design Patent**
Ogren

(10) **Patent No.:** **US D492,292 S**
(45) **Date of Patent:** **** Jun. 29, 2004**

(54) **TELECOMMUNICATIONS MODULE**

(75) **Inventor:** **Bruce Ogren**, Edina, MN (US)

(73) **Assignee:** **ADC Telecommunications, Inc.**, Eden Prairie, MN (US)

(**) **Term:** **14 Years**

(21) **Appl. No.:** **29/172,022**

(22) **Filed:** **Dec. 3, 2002**

(51) **LOC (7) Cl.** **14-03**

(52) **U.S. Cl.** **D14/240; D13/199**

(58) **Field of Search** D14/240–246,
D14/217, 140, 299, 257, 301; D13/184;
333/169, 116; 439/717, 74; 379/347, 413,
62

5,926,076 A * 7/1999 Johnson et al. 333/109
5,955,930 A 9/1999 Anderson et al.
6,545,562 B2 4/2003 Loeffelholz et al.

OTHER PUBLICATIONS

“DSX3R System DSX3R–440 Panels Installation and Cabling”, Avaya Inc. Instruction Sheet, Issue 6 (Sep. 2001). Brochure, “ADC’s RF Worx™ RF Distribution And Management Products,” *ADC Telecommunications*, pp. 2–10 (Dec. 1996).

* cited by examiner

Primary Examiner—Charles A. Rademaker

(74) *Attorney, Agent, or Firm*—Merchant & Gould P.C.

(57) **CLAIM**

The ornamental design for the telecommunications module, as shown and described.

(56) **References Cited**

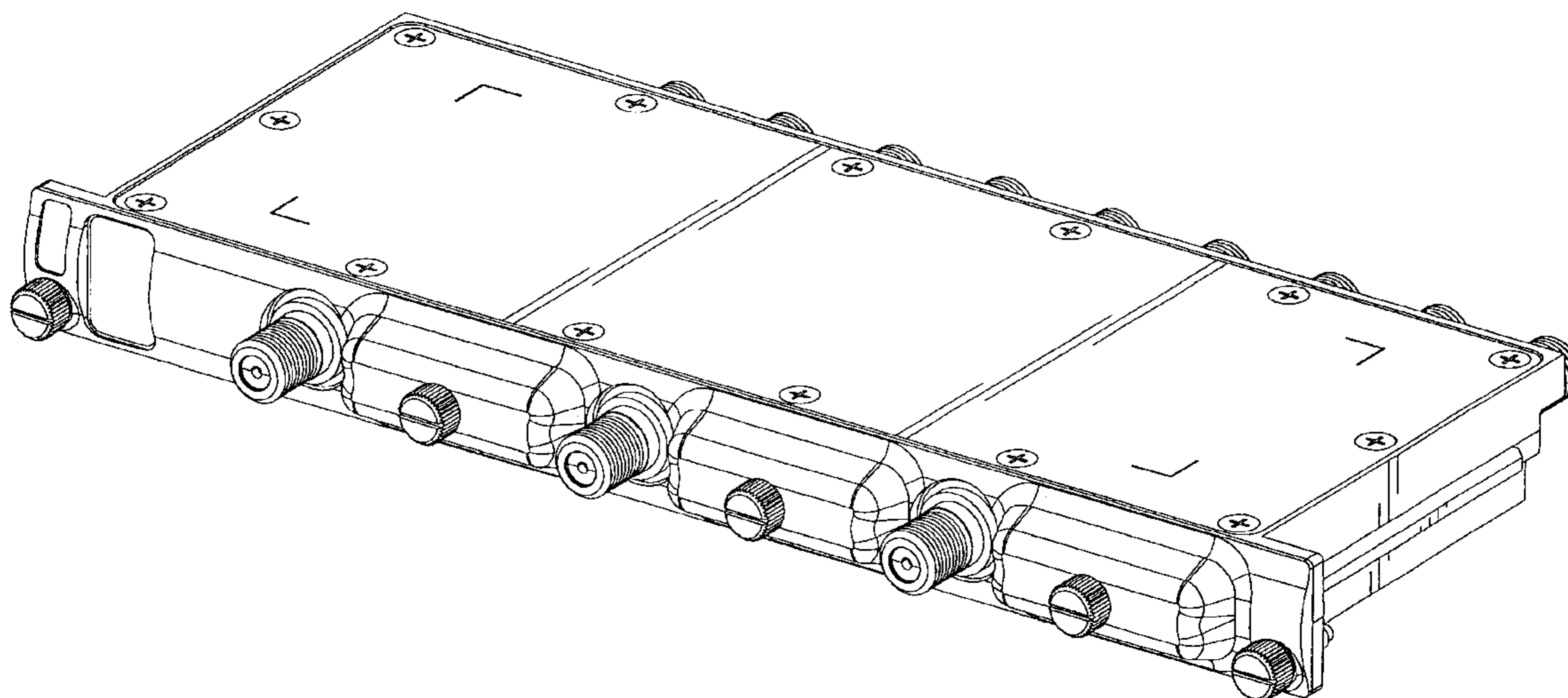
U.S. PATENT DOCUMENTS

3,177,302 A * 4/1965 Fingerle, Jr. 379/347
4,433,313 A * 2/1984 Saint et al. 333/109
4,749,968 A 6/1988 Burroughs
D318,279 S * 7/1991 Laiacona et al. D14/217
5,158,470 A 10/1992 Zarreii
5,326,285 A * 7/1994 Maros 439/717
5,348,491 A 9/1994 Louwagie et al.
5,592,545 A 1/1997 Ho et al.
5,638,035 A 6/1997 Romerein et al.
D404,018 S * 1/1999 Tucker et al. D13/184
5,909,155 A 6/1999 Anderson et al.

DESCRIPTION

FIG. 1 is a front perspective view of a telecommunications module with front covers showing my design; FIG. 2 is a rear perspective view thereof; FIG. 3 is a front elevation view thereof; FIG. 4 is a rear elevation view thereof; FIG. 5 is a top plan view thereof; FIG. 6 is a bottom plan view thereof; FIG. 7 is a right end elevation view thereof; and, FIG. 8 is a left end elevation view thereof.

1 Claim, 6 Drawing Sheets



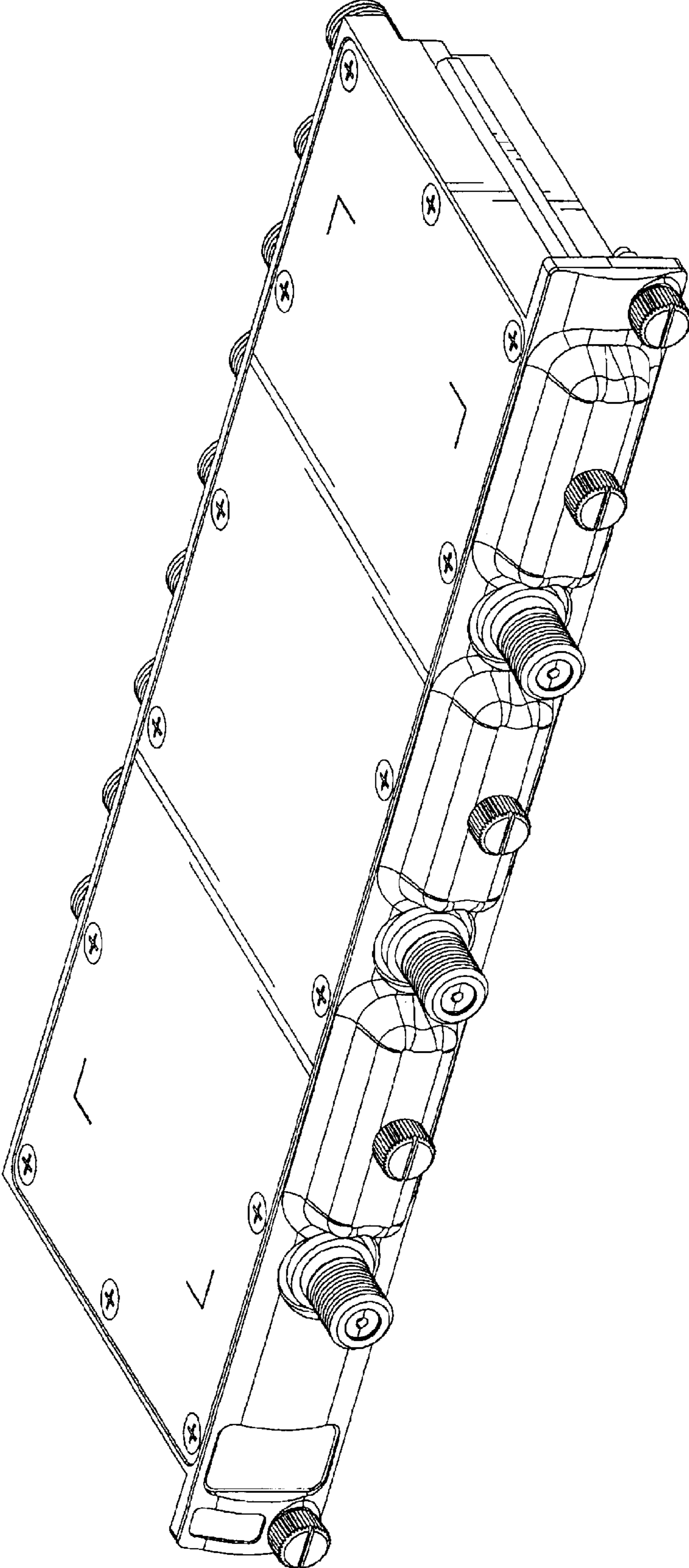


FIG. 1

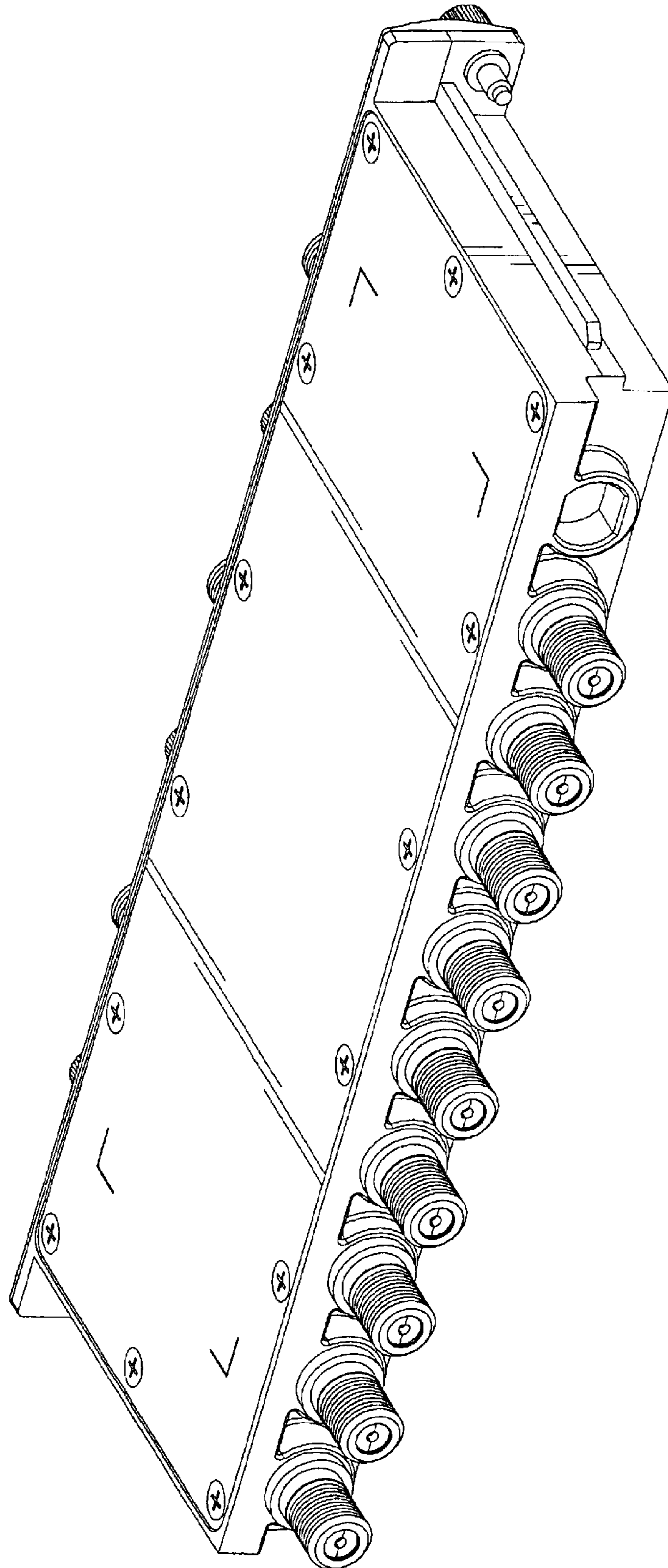


FIG. 2

FIG. 3

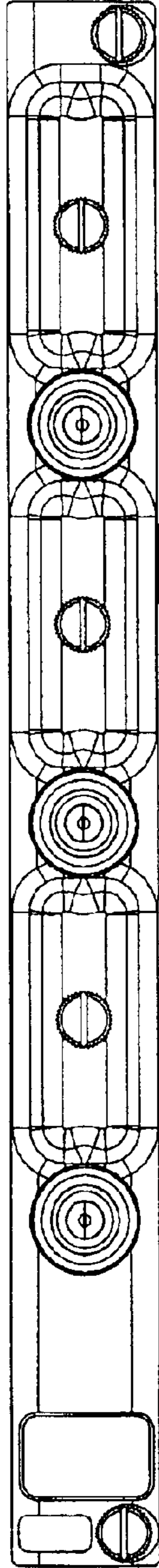
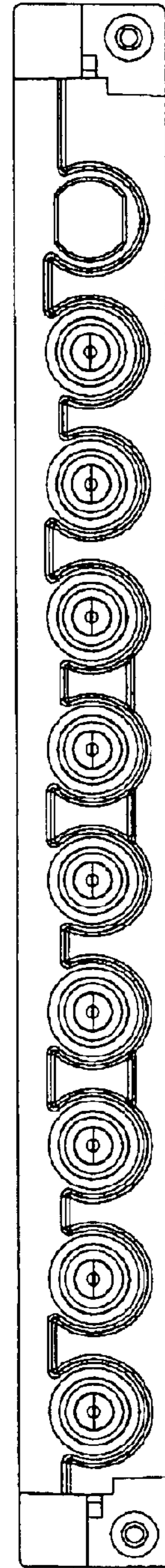


FIG. 4



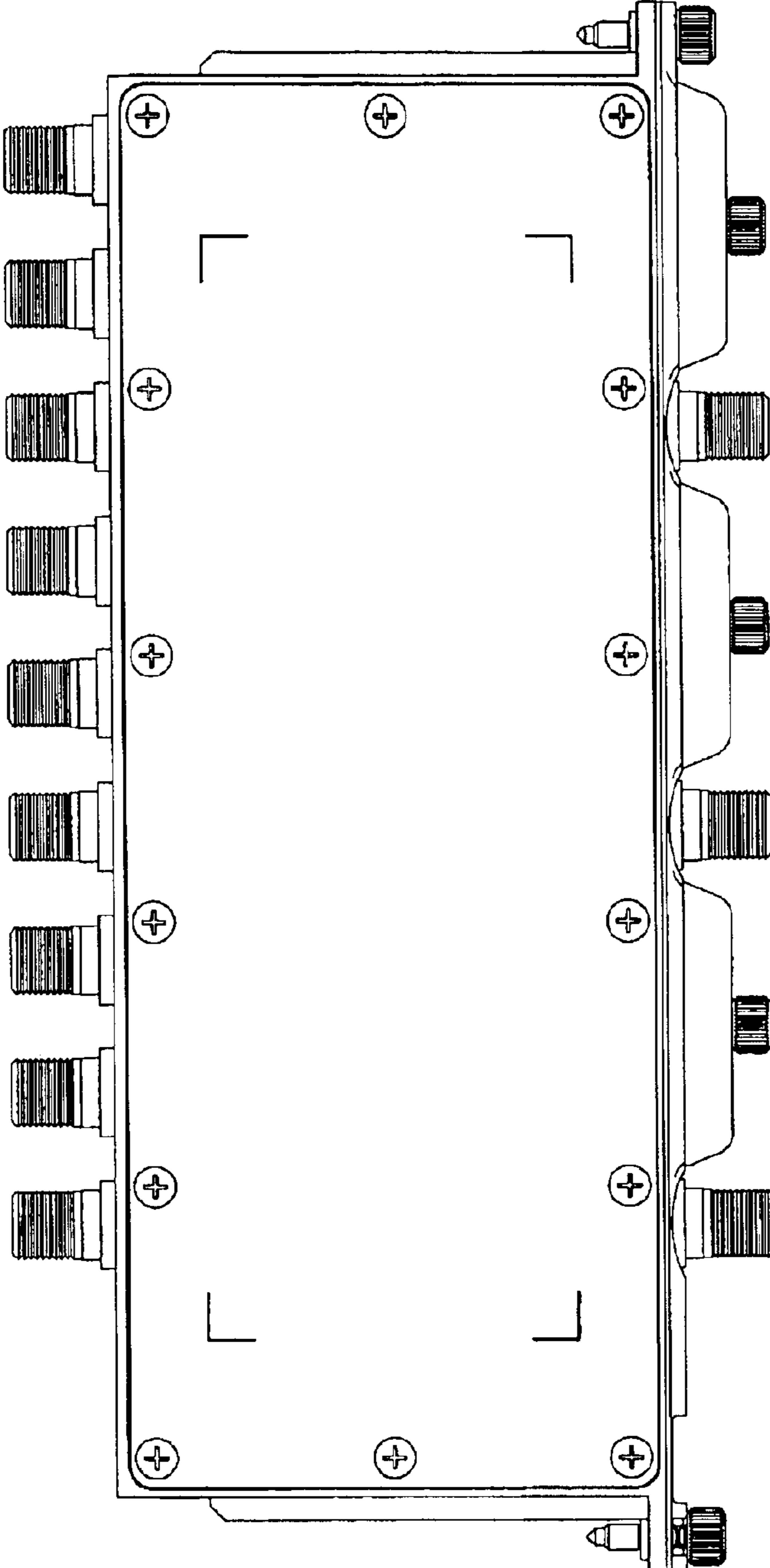


FIG. 5

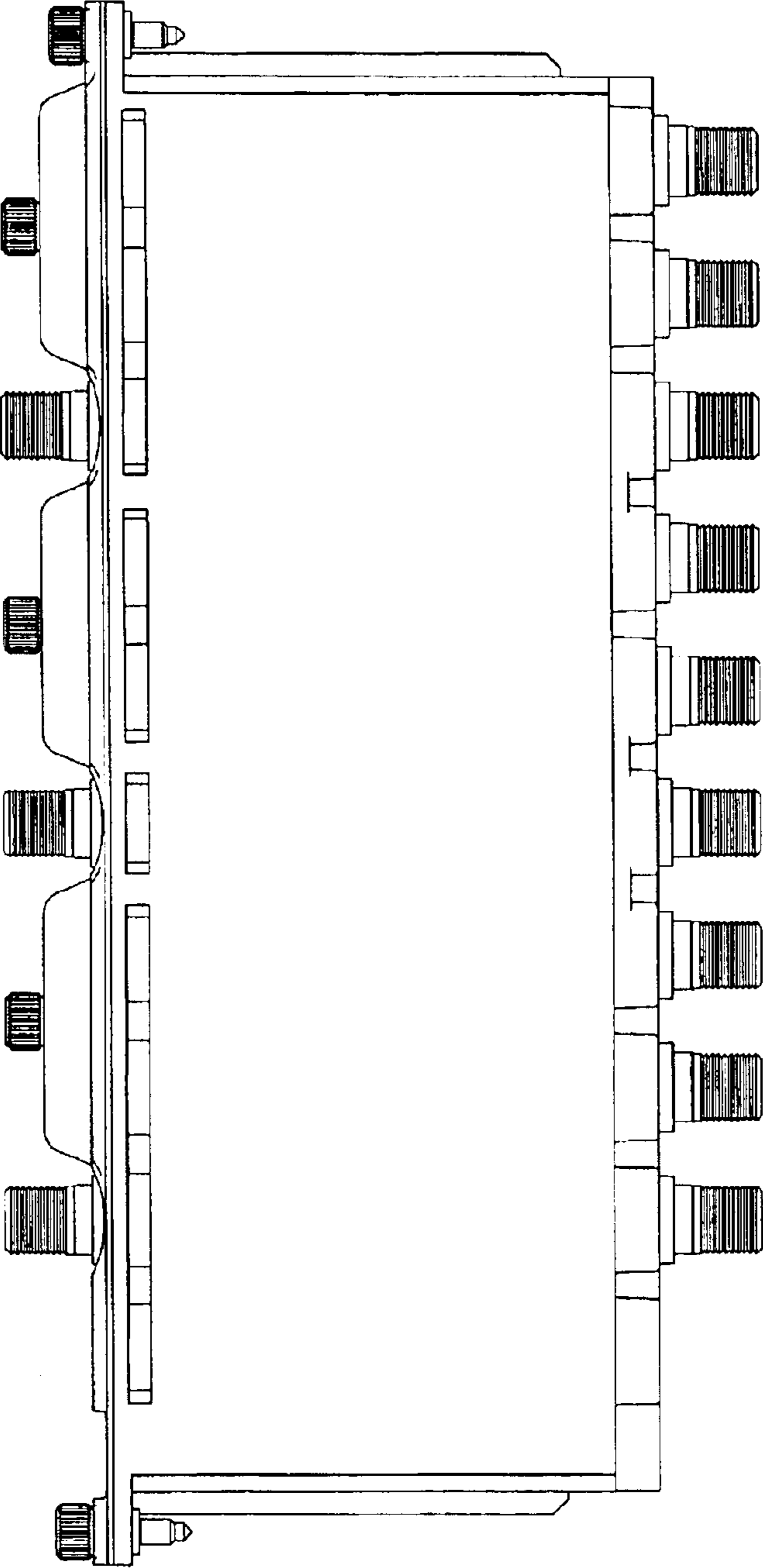


FIG. 6

FIG. 7

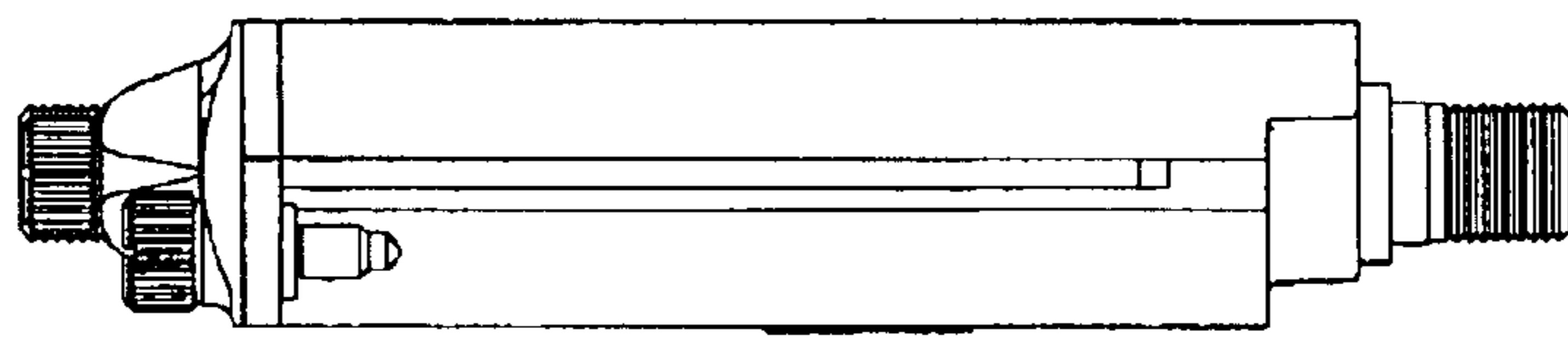


FIG. 8

