



US00D492288S1

(12) **United States Design Patent**
Quilling, II

(10) **Patent No.:** **US D492,288 S**
(45) **Date of Patent:** **** Jun. 29, 2004**

(54) **LOWER MOUNT AUTO STEREO HEAD
UNIT MOUNTING DEVICE**

(75) Inventor: **R. Spencer Quilling, II**, Glenwood, FL
(US)

(73) Assignee: **Metra Electronics Corporation**, Holly
Hill, FL (US)

(**) Term: **14 Years**

(21) Appl. No.: **29/188,822**

(22) Filed: **Aug. 26, 2003**

(51) **LOC (7) Cl.** **14-01**

(52) **U.S. Cl.** **D14/224**

(58) **Field of Search** D14/224, 204,
D14/217, 229, 258; D12/223; 248/27.1,
27.3, 558, 221.3, 220.2, 221.4; 403/4; 455/345;
361/685

(56) **References Cited**

U.S. PATENT DOCUMENTS

D294,258 S	*	2/1988	Sprague	D14/258
5,106,039 A	*	4/1992	Gross	248/27.1
D356,566 S	*	3/1995	Ohta	D14/157
5,467,947 A	*	11/1995	Quilling, II	248/27.1
5,485,348 A	*	1/1996	Oros	361/685
D401,591 S		11/1998	Jones, Jr.		
D418,838 S		1/2000	Jones, Jr.		
D481,378 S	*	10/2003	Quilling et al.	D14/224
D481,707 S		11/2003	Quilling, II et al.		
D481,708 S	*	11/2003	Quilling et al.	D14/224
D482,023 S	*	11/2003	Quilling et al.	D14/224
D482,024 S	*	11/2003	Quilling et al.	D14/224
D483,027 S	*	12/2003	Quilling et al.	D14/224
D484,495 S	*	12/2003	Quilling et al.	D14/224
D485,260 S	*	1/2004	Quilling et al.	D14/224

OTHER PUBLICATIONS

U.S. patent application Ser. No. 29/188,825, Quilling, filed
Aug. 26, 2003.

U.S. patent application Ser. No. 29/188,824, Quilling, filed
Aug. 26, 2003.

U.S. patent application Ser. No. 29/188,820, Quilling, filed
Aug. 26, 2003.

U.S. patent application Ser. No. 29/188,821, Quilling, filed
Aug. 26, 2003.

U.S. patent application Ser. No. 29/188,823, Quilling, filed
Aug. 26, 2003.

Metra 2001 Autosound Installation Products Catalog, Cover,
pp. 1-62, Published May 2001.

Metra 2002 Autosound Installation Products Catalog, Cover,
pp. 6-64, Published Oct. 2002.

* cited by examiner

Primary Examiner—Paula A. Greene

(74) *Attorney, Agent, or Firm*—Fitzpatrick, Cella, Harper &
Scinto

(57) **CLAIM**

I claim the ornamental design for lower mount auto stereo
head unit mounting device, as shown and described.

DESCRIPTION

FIG. 1 is a right front perspective view of a curved-faced
lower mount auto stereo head unit, mounting device show-
ing my design;

FIG. 2 is a front elevation view of FIG. 1;

FIG. 3 is a top plan view of FIG. 1;

FIG. 4A is a right side elevation view of FIG. 1;

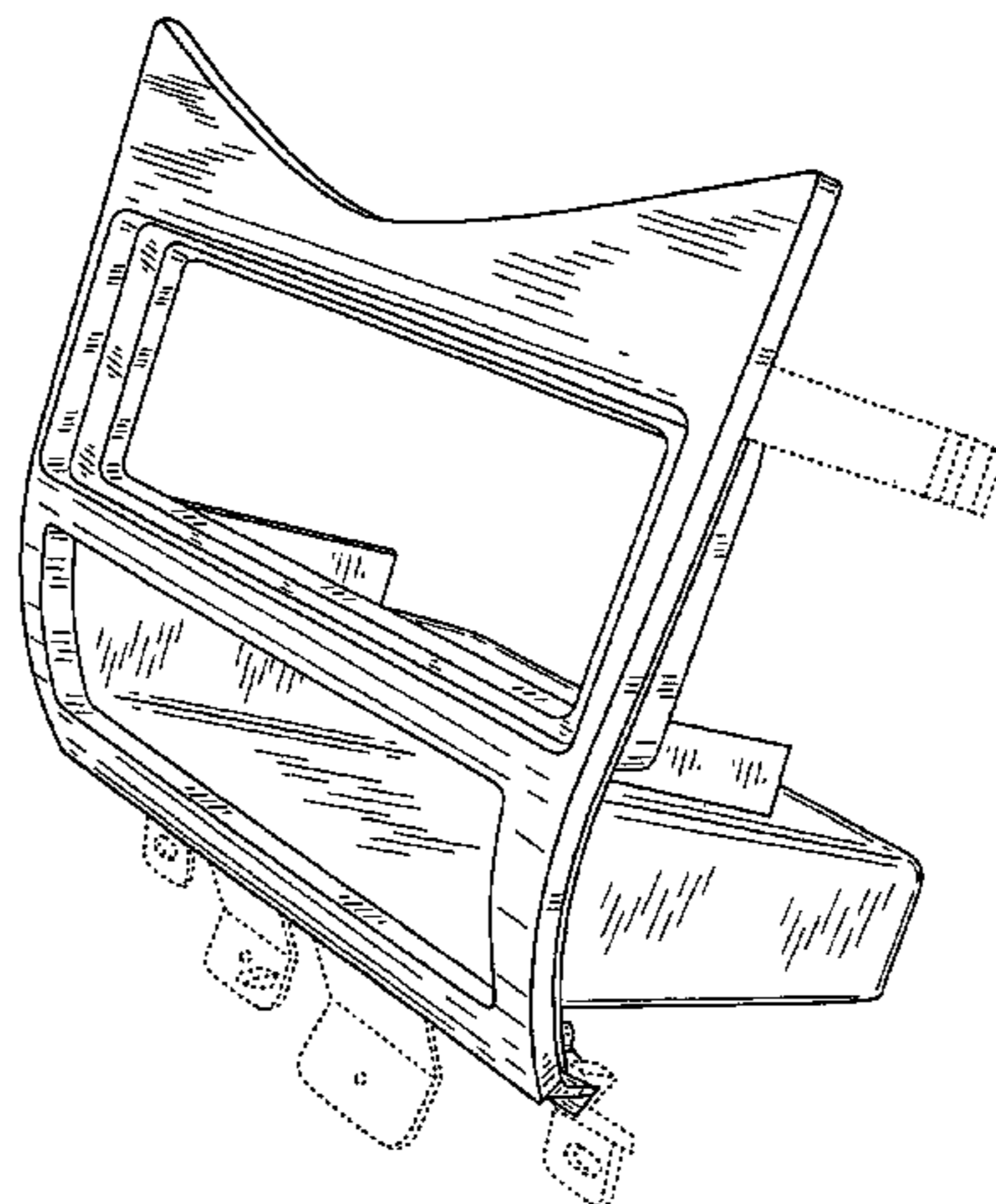
FIG. 4B is a right side elevation in cross-section, along line
4B—4B of FIG. 2, to better illustrate certain features of the
disclosed design;

FIG. 5 is a bottom plan view of FIG. 1; and,

FIG. 6 is a rear elevation view of FIG. 1.

The appearance of my design for a lower mount auto stereo
head unit mounting device, characterized by a curved-faced
front surface into which a stereo head unit is inserted above
a horizontal pocket adapted to accept CD-Rom jewel cases.
The mounting structure shown in dotted line forms no part
of the claimed design.

1 Claim, 7 Drawing Sheets



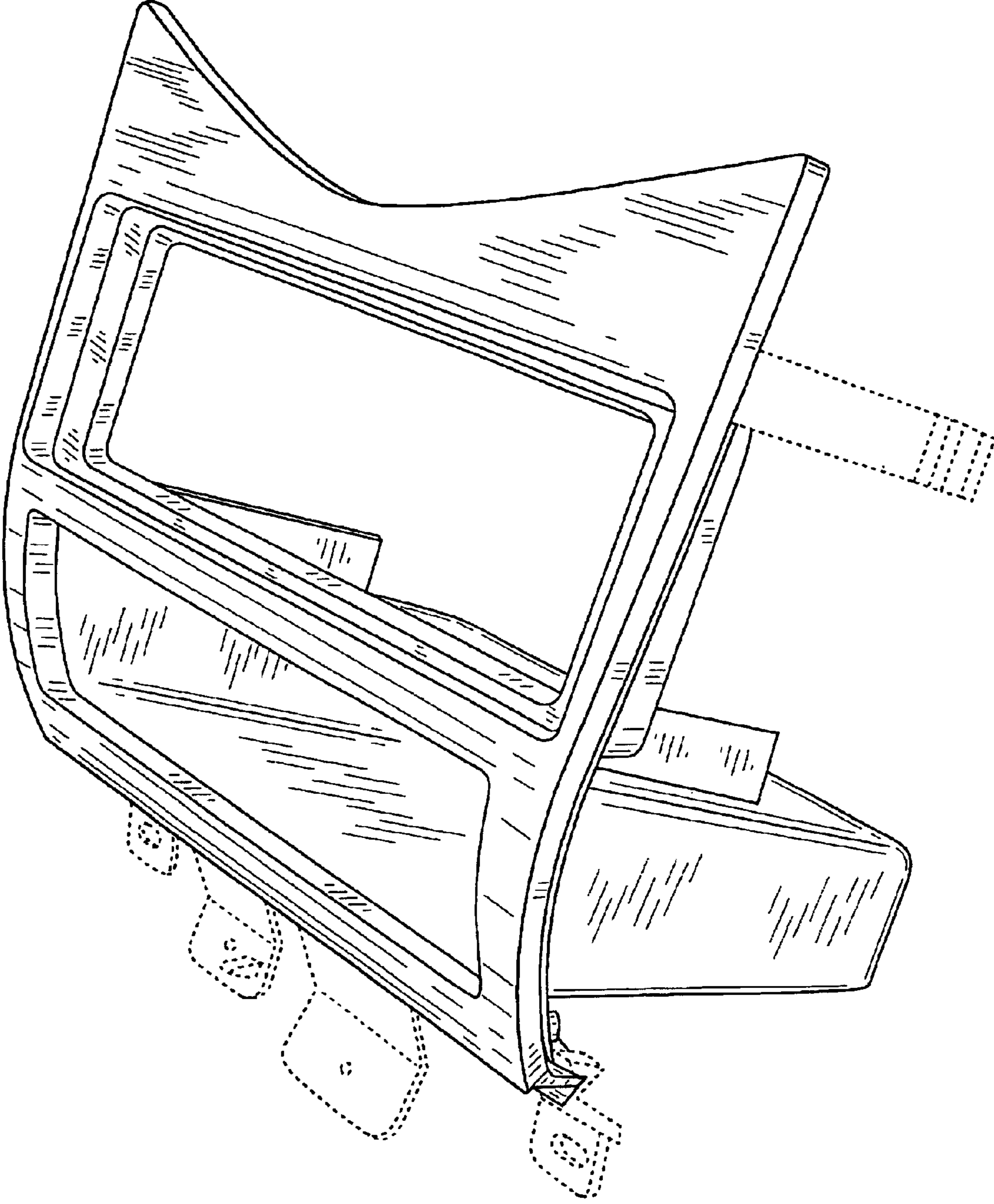


FIG. 1

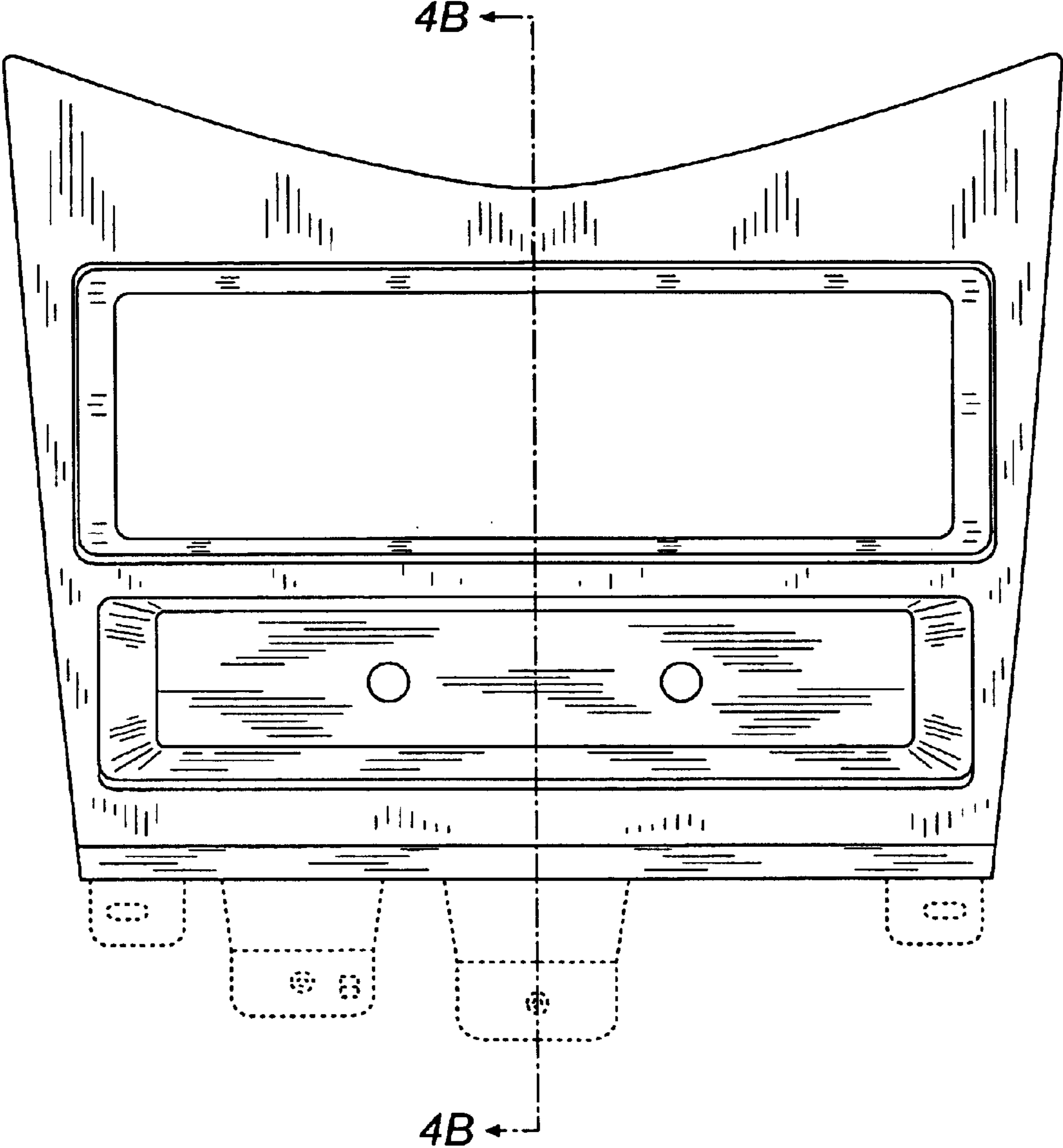


FIG. 2

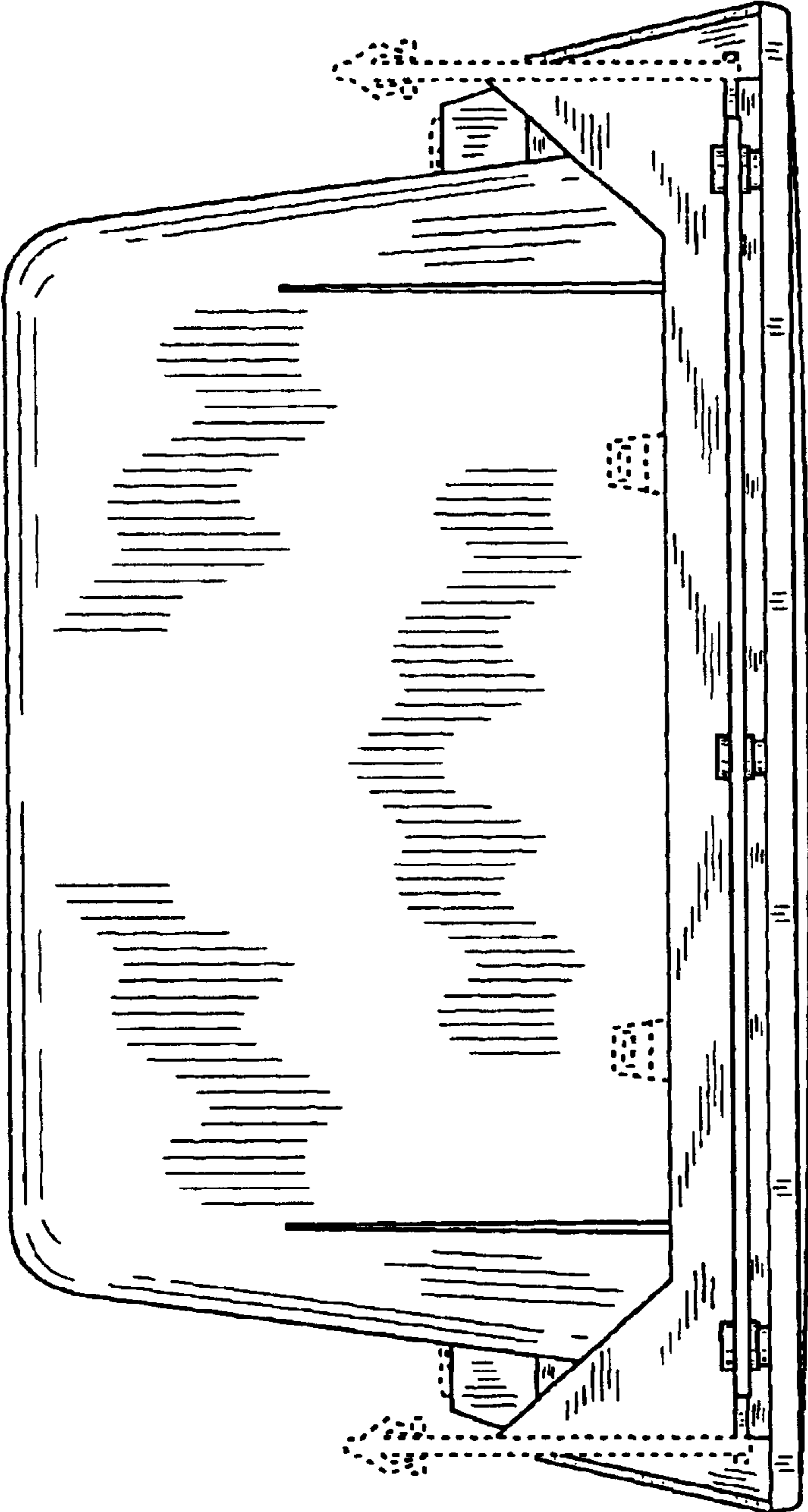


FIG. 3

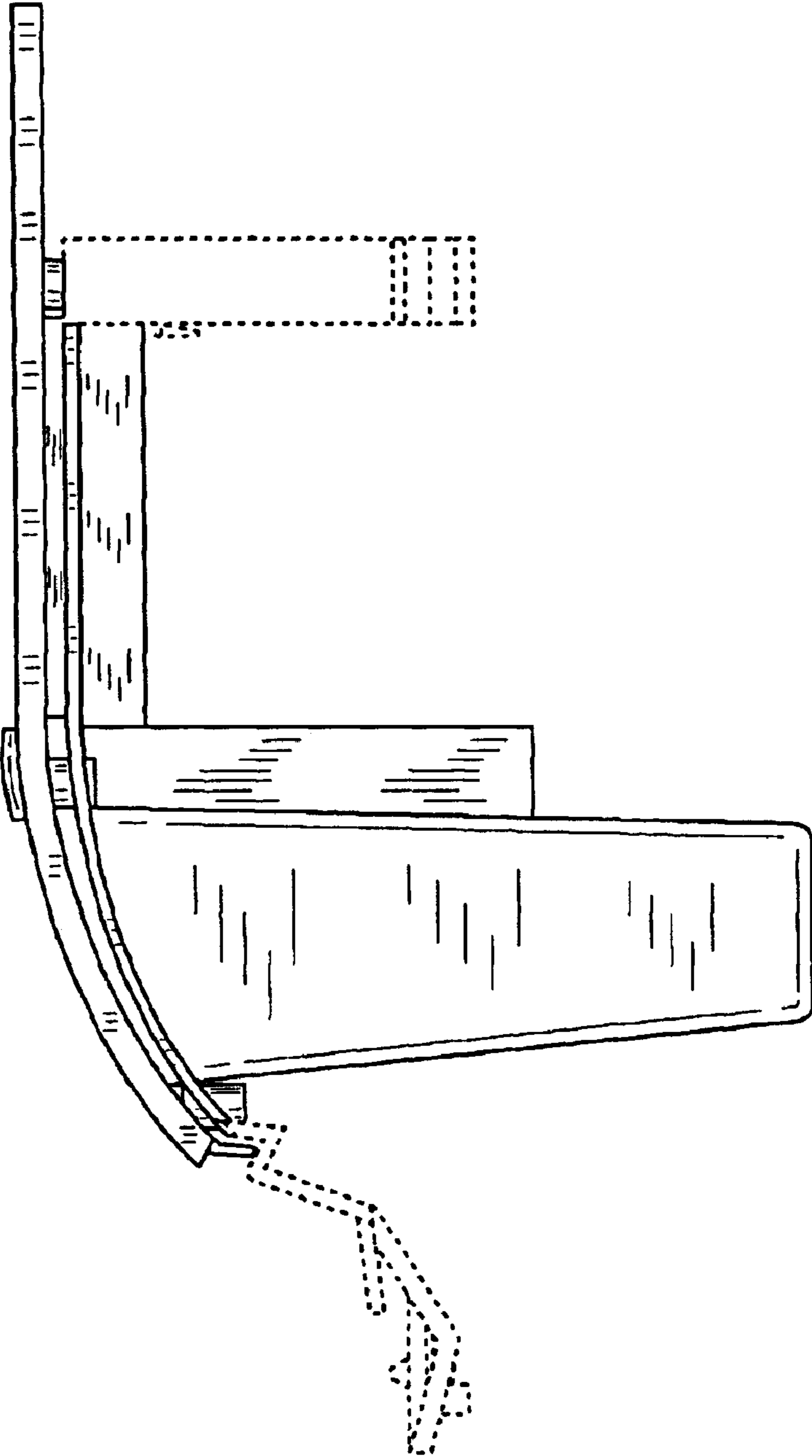


FIG. 4A

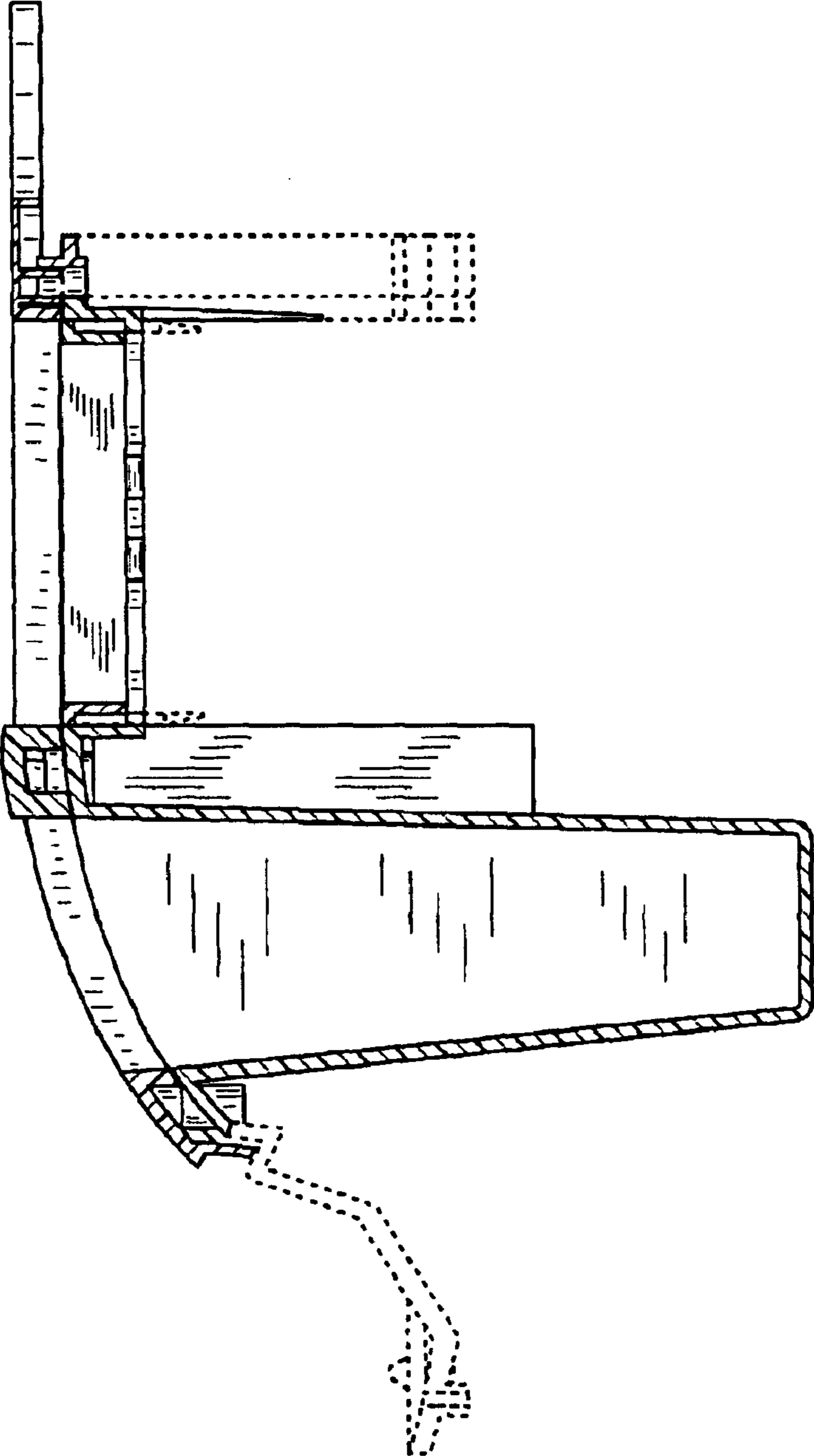


FIG. 4B

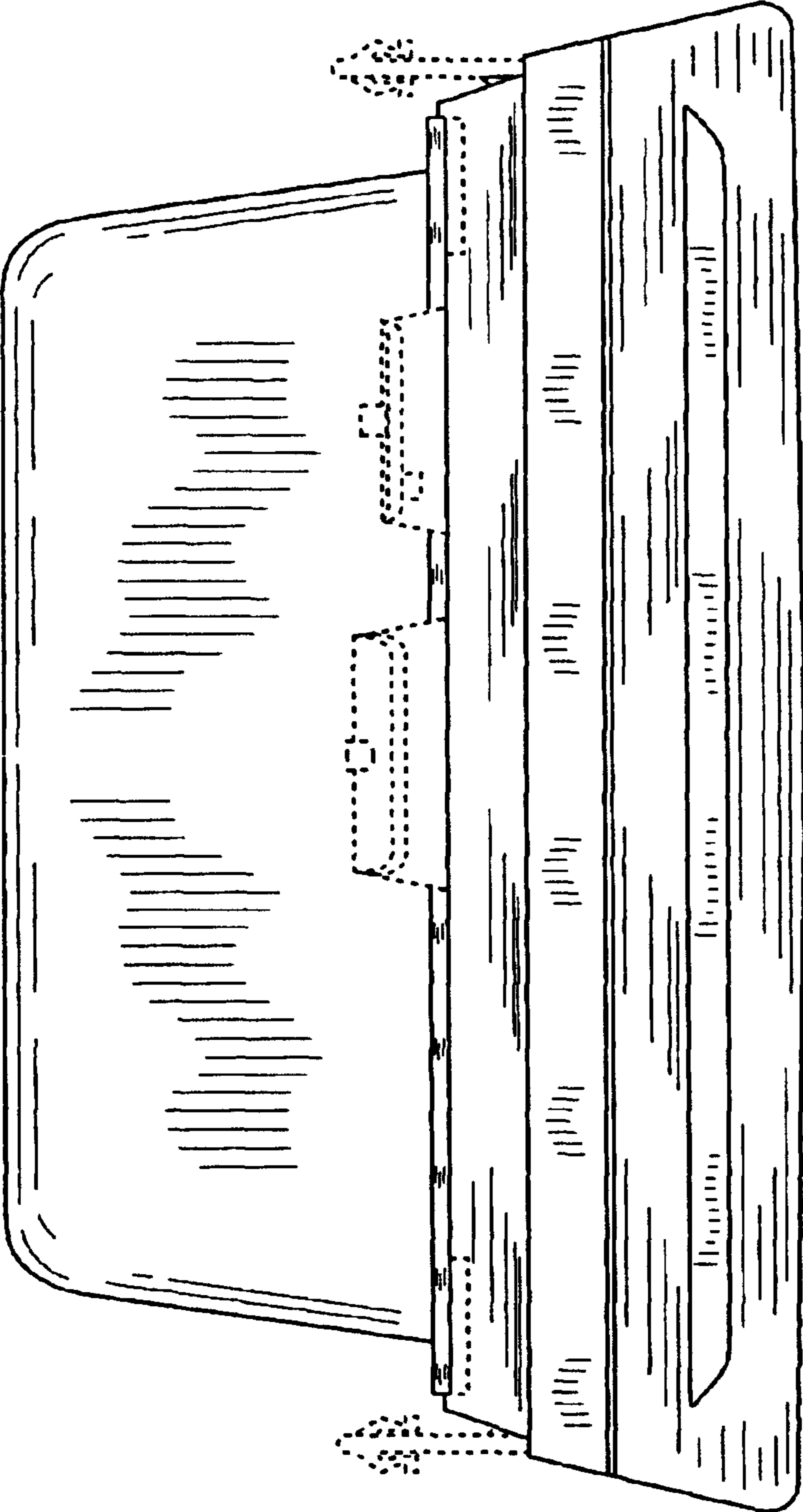


FIG. 5

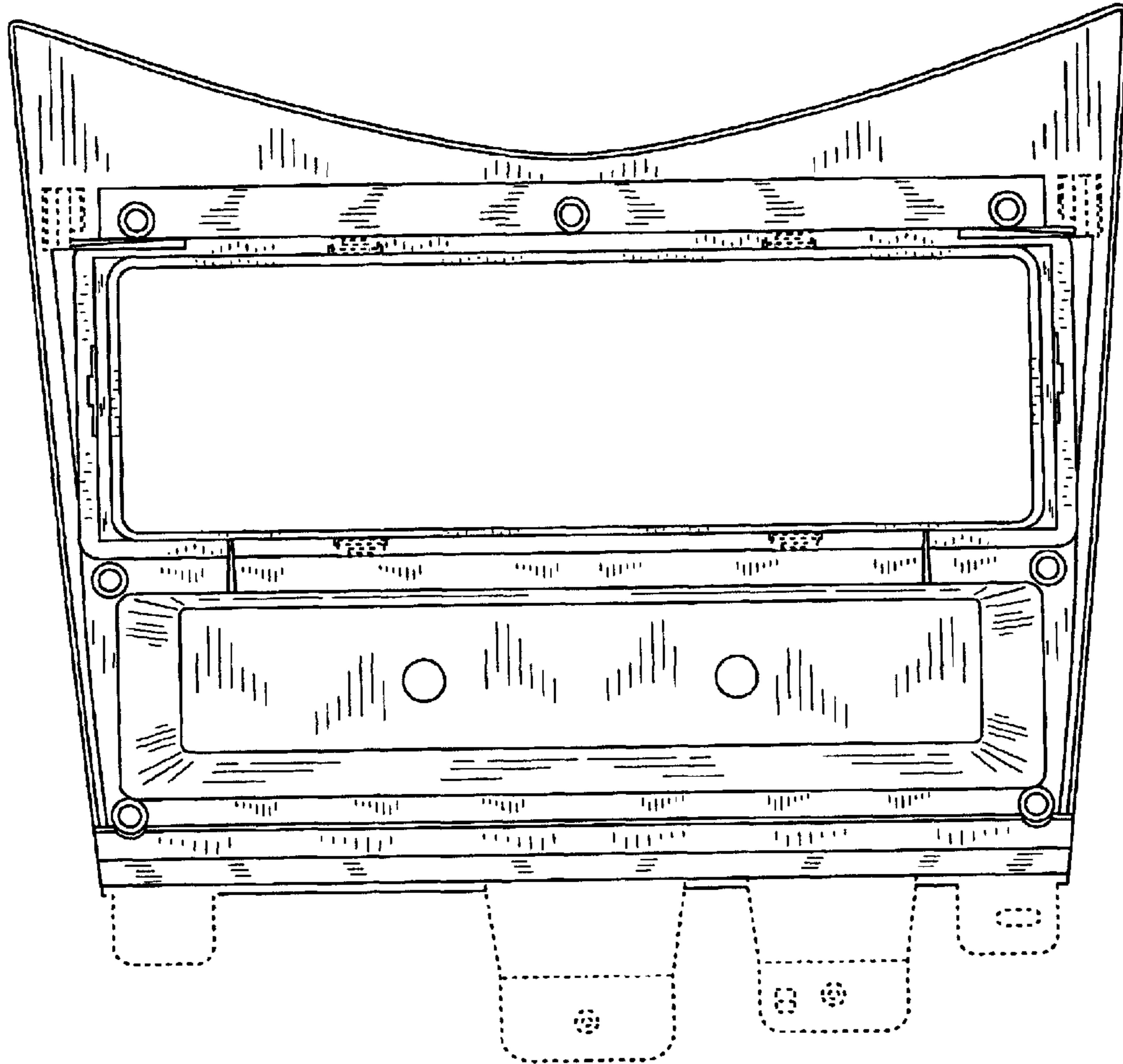


FIG. 6