

US00D492285S1

(12) **United States Design Patent**
Ombao et al.

(10) **Patent No.: US D492,285 S**
(45) **Date of Patent: ** Jun. 29, 2004**

(54) **INPUT DEVICE**

D474,763 S * 5/2003 Tozaki et al. D14/218

(75) Inventors: **Geoffrey Z. Ombao**, Los Angeles, CA (US); **Haig H. Krakirian**, Burbank, CA (US)

OTHER PUBLICATIONS

Sound and Vision, Feb. 2001 □□p. 44 Fisher remote control.*

(73) Assignee: **Pioneer Digital Technologies, Inc.**, Burbank, CA (US)

* cited by examiner

(**) Term: **14 Years**

Primary Examiner—Louis S. Zarfes

Assistant Examiner—Deanne Levy

(21) Appl. No.: **29/194,624**

(74) *Attorney, Agent, or Firm*—Keiji Masaki; Steve Wong; Micah P. Goldsmith

(22) Filed: **Nov. 25, 2003**

(57) **CLAIM**

(51) **LOC (7) Cl.** **14-03**

The ornamental design for an input device, as shown.

(52) **U.S. Cl.** **D14/218**

DESCRIPTION

(58) **Field of Search** D14/217, 218, D14/124, 174, 299; D13/168; D21/566; 455/352, 128, 347, 90.3; D10/104-106

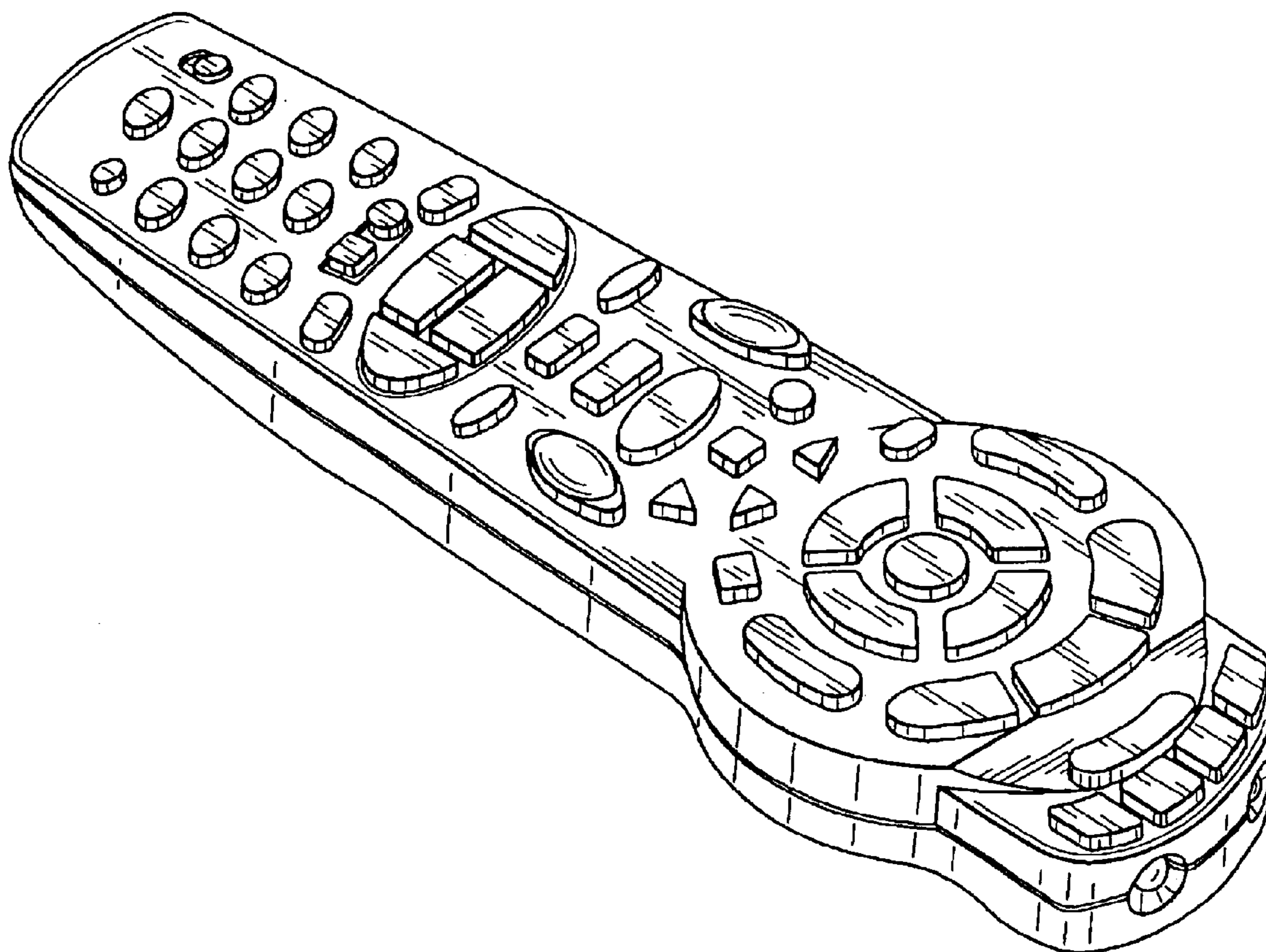
FIG. 1 is a top, right side perspective view of an input device showing my new design;
FIG. 2 is a top plan view thereof;
FIG. 3 is a left side elevational view thereof;
FIG. 4 is a right side elevational view thereof; and,
FIG. 5 is a bottom plan view thereof.

(56) **References Cited**

U.S. PATENT DOCUMENTS

D398,009 S * 9/1998 Huppertz et al. D14/218
D424,062 S * 5/2000 Barhold et al. D14/218

1 Claim, 3 Drawing Sheets



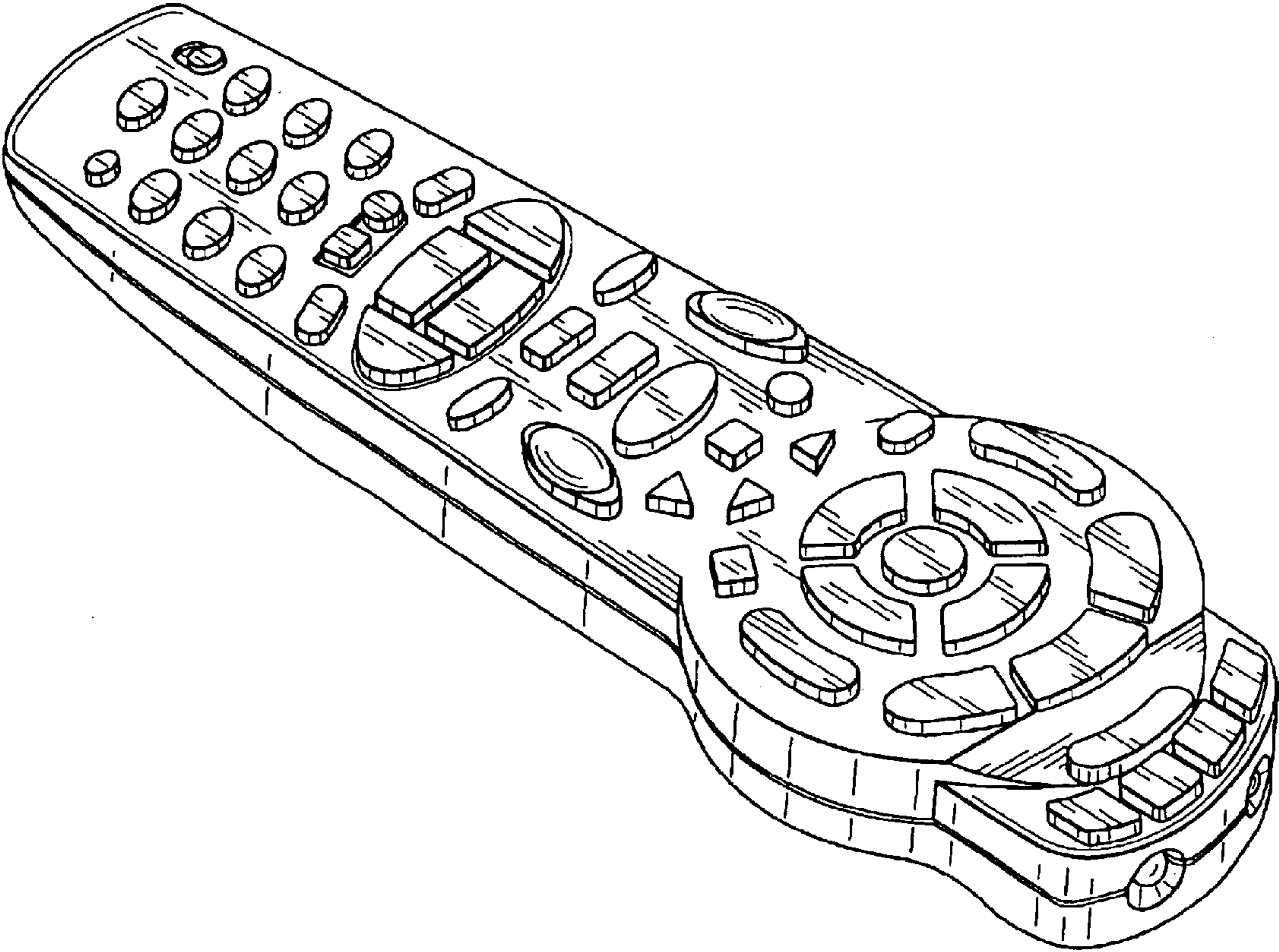


FIG. 1

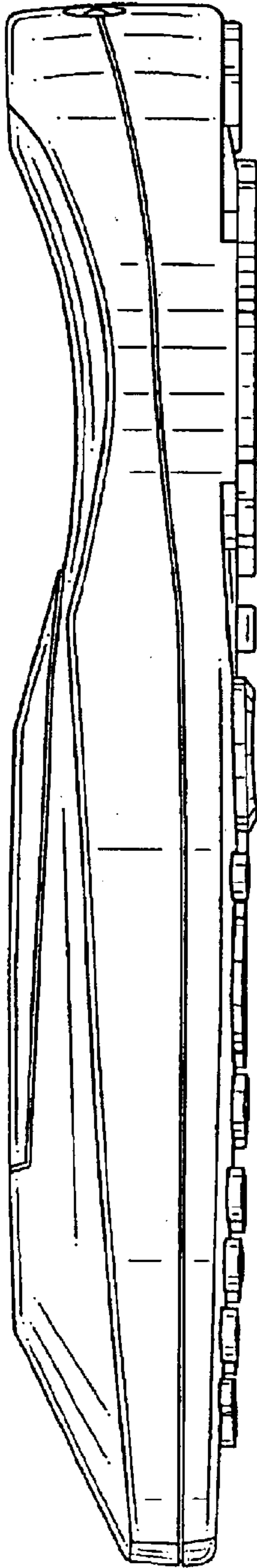


FIG. 3

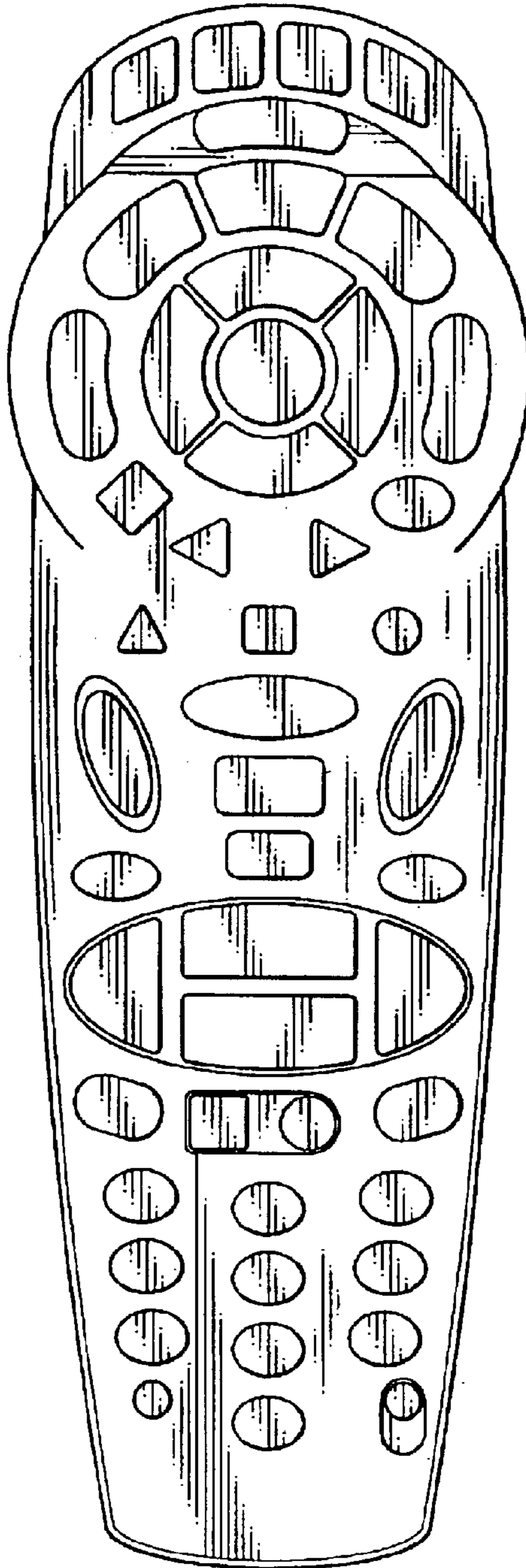


FIG. 2

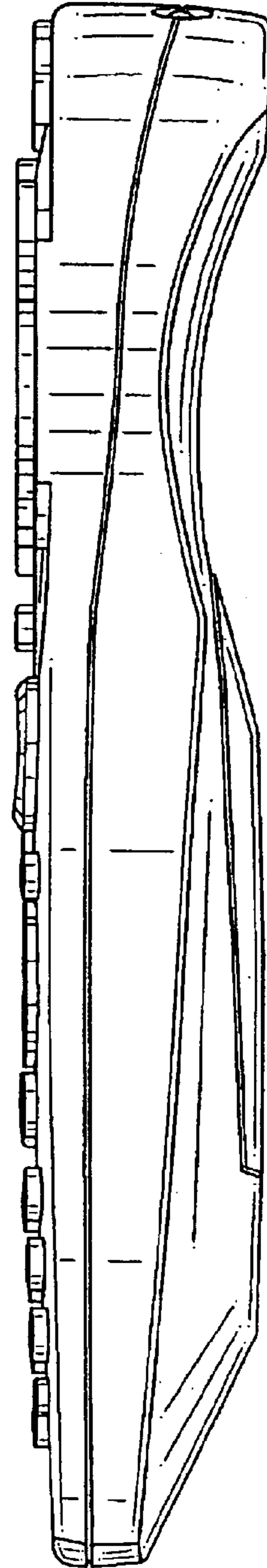


FIG. 4

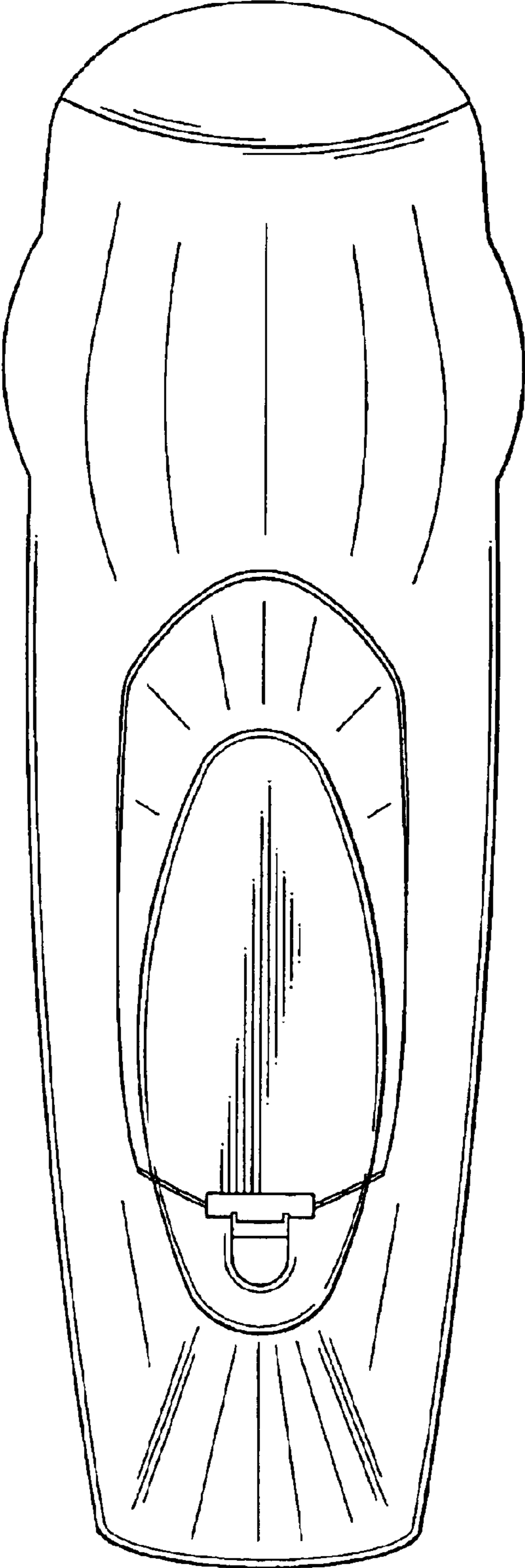


FIG.5