

US00D492283S1

(12) **United States Design Patent**  
**Adam**

(10) **Patent No.:** **US D492,283 S**  
(45) **Date of Patent:** **\*\* Jun. 29, 2004**

(54) **TV REMOTE FINDER**

(76) **Inventor:** **Ali Mohamed Adam**, 4349 20th La.  
NE., Olympia, WA (US) 98516

(\*\*) **Term:** **14 Years**

(21) **Appl. No.:** **29/185,155**

(22) **Filed:** **Jun. 24, 2003**

(51) **LOC (7) Cl.** ..... **14-03**

(52) **U.S. Cl.** ..... **D14/218**

(58) **Field of Search** ..... D14/217, 218,  
D14/124, 174, 299, 155; D13/168; D21/566;  
455/352, 128, 347, 90.3; 348/734; D10/104-106,  
121; 340/391.1, 396.1, 825.49, 815.49,  
815.6

(56) **References Cited**

**U.S. PATENT DOCUMENTS**

3,723,884 A	*	3/1973	Asplin	.....	455/347
D229,519 S	*	12/1973	Wood	.....	D14/155
D251,485 S	*	4/1979	Stockdale	.....	D10/121
4,286,335 A	*	8/1981	Eichler et al.	.....	455/90.3
4,305,155 A	*	12/1981	Romeo	.....	348/734
D298,942 S	*	12/1988	Pieratt	.....	D14/155
5,294,915 A		3/1994	Owen		
D348,410 S		7/1994	Adams et al.		

5,598,143 A		1/1997	Wentz		
5,677,673 A		10/1997	Kipnis		
5,680,105 A		10/1997	Hedrick		
5,939,981 A		8/1999	Renney		
D423,510 S	*	4/2000	Pizarro et al.	.....	D14/191
D475,993 S	*	6/2003	Meyer et al.	.....	D14/218

**OTHER PUBLICATIONS**

“New You Can Find It!” Wireless RF Electronic Locator,  
The Sharper Image, www.sharpeimagebest.com.

\* cited by examiner

*Primary Examiner*—Louis S. Zarfaz

*Assistant Examiner*—Deanne Levy

(57) **CLAIM**

The ornamental design for a TV remote finder, as shown.

**DESCRIPTION**

FIG. 1 is a front elevational view of a TV remote finder showing my new design;

FIG. 2 is a rear elevational view thereof;

FIG. 3 is a right side elevational view thereof;

FIG. 4 is a left side elevational view thereof;

FIG. 5 is a top plan view thereof; and,

FIG. 6 is a bottom plan view thereof.

**1 Claim, 3 Drawing Sheets**

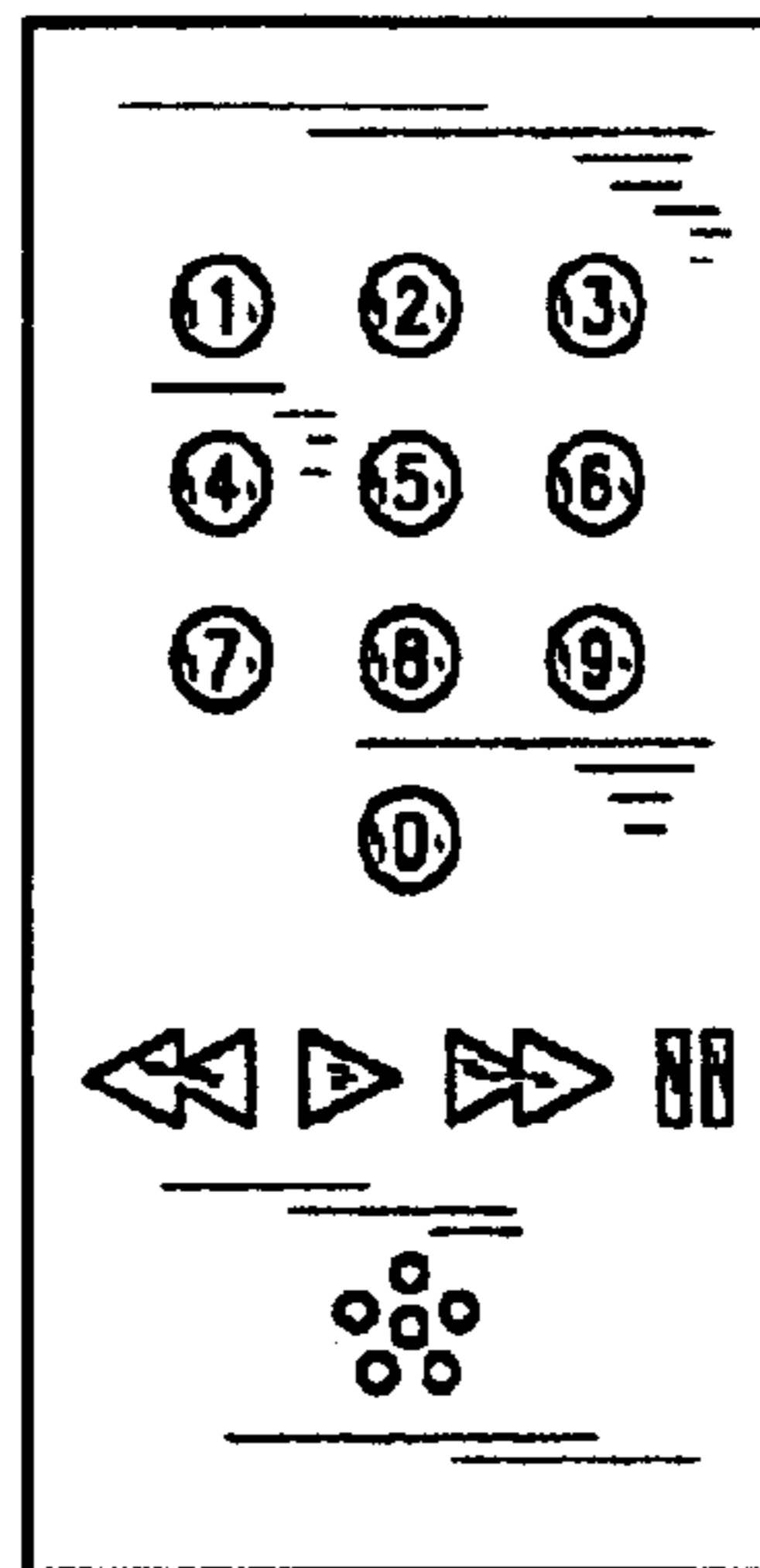


FIG. 1

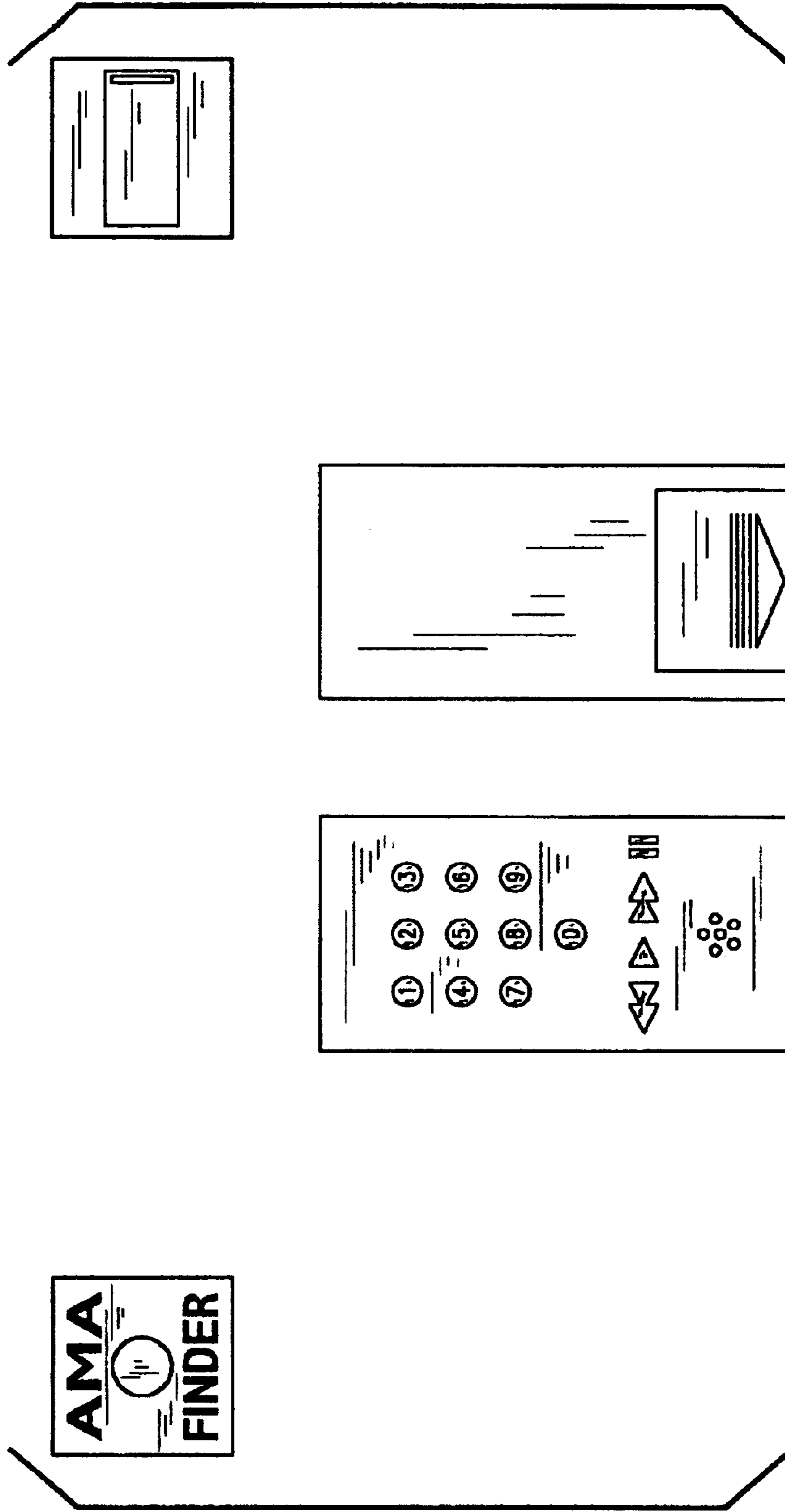


FIG. 2

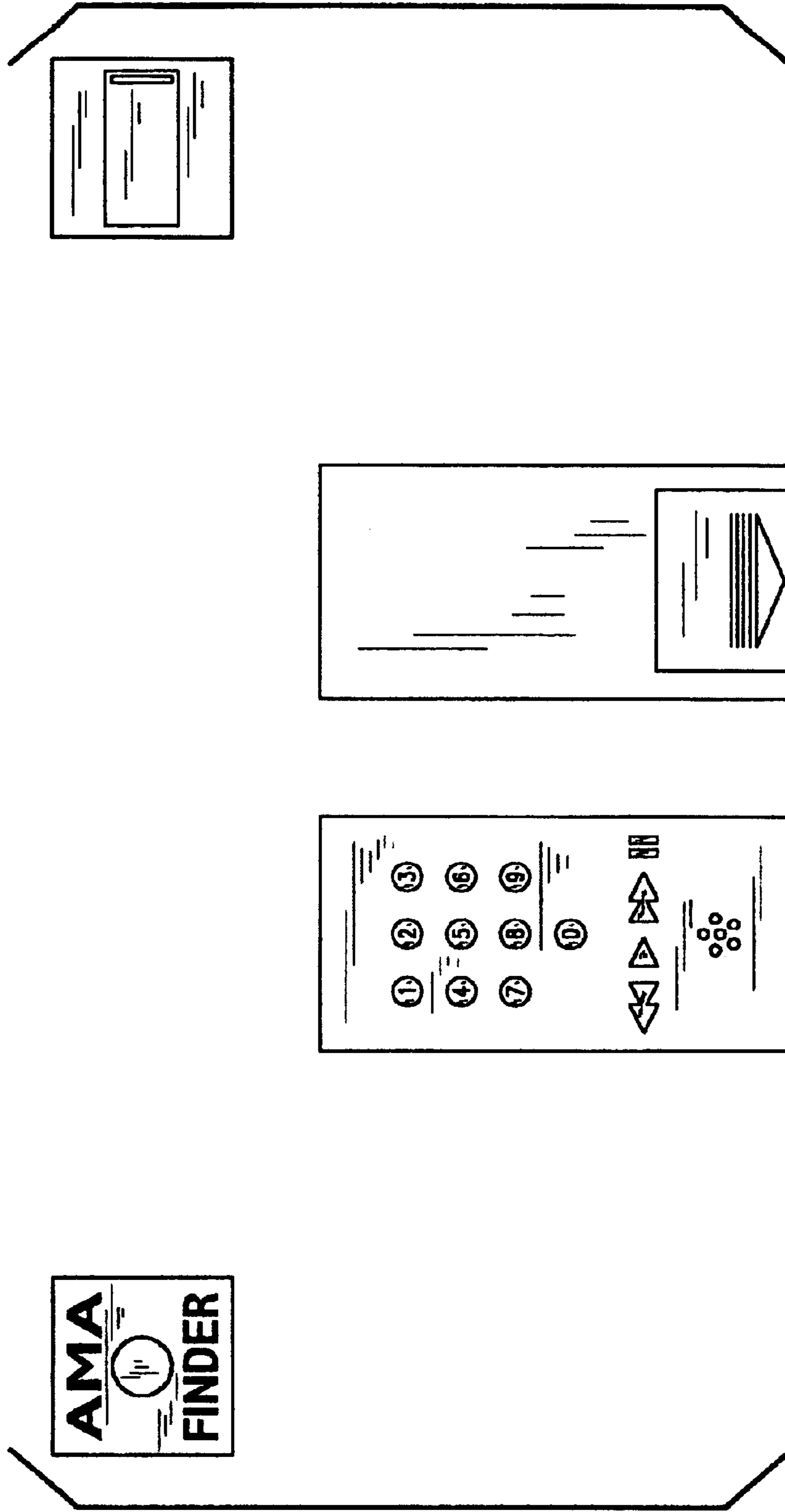


FIG. 4

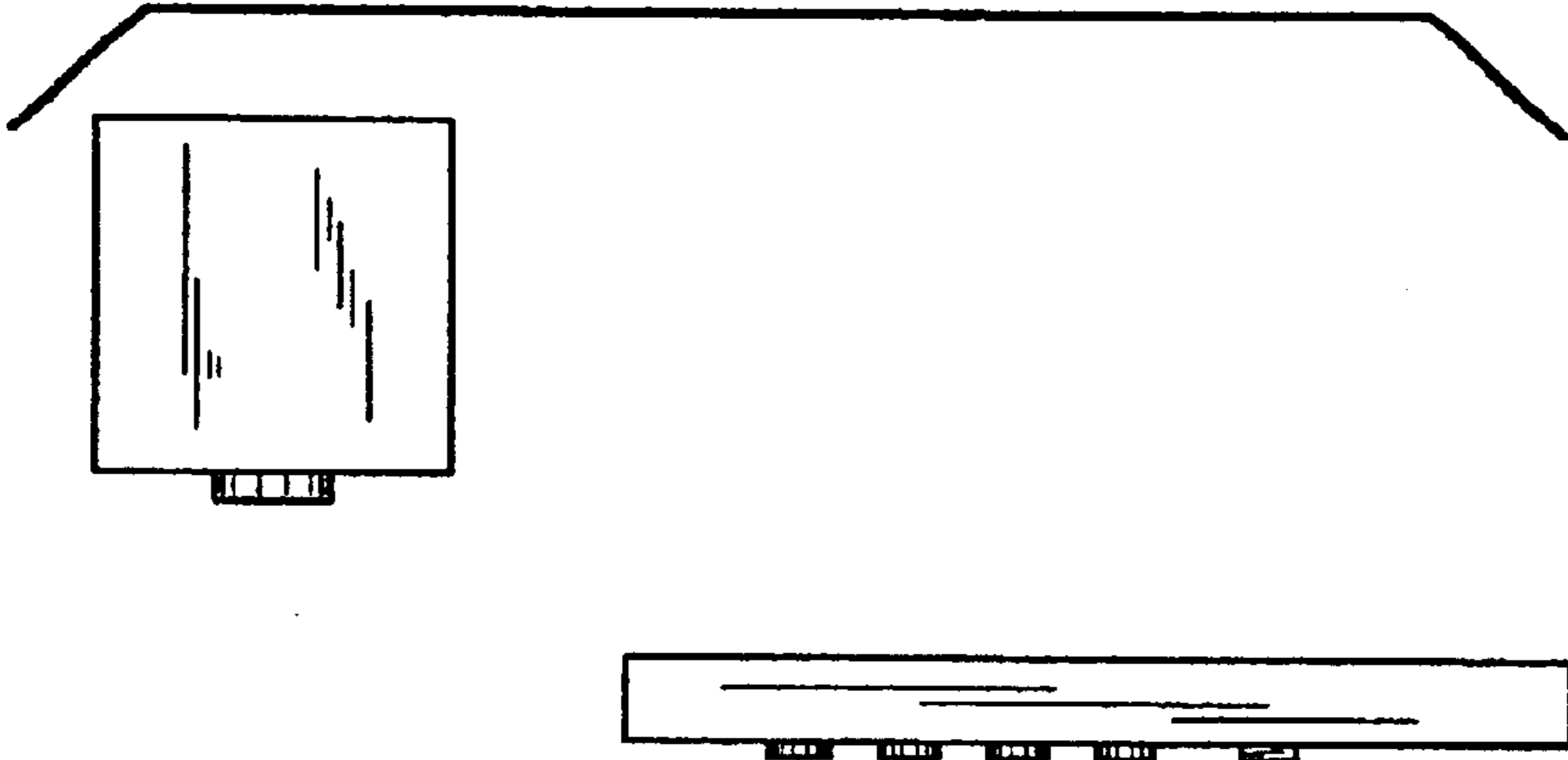
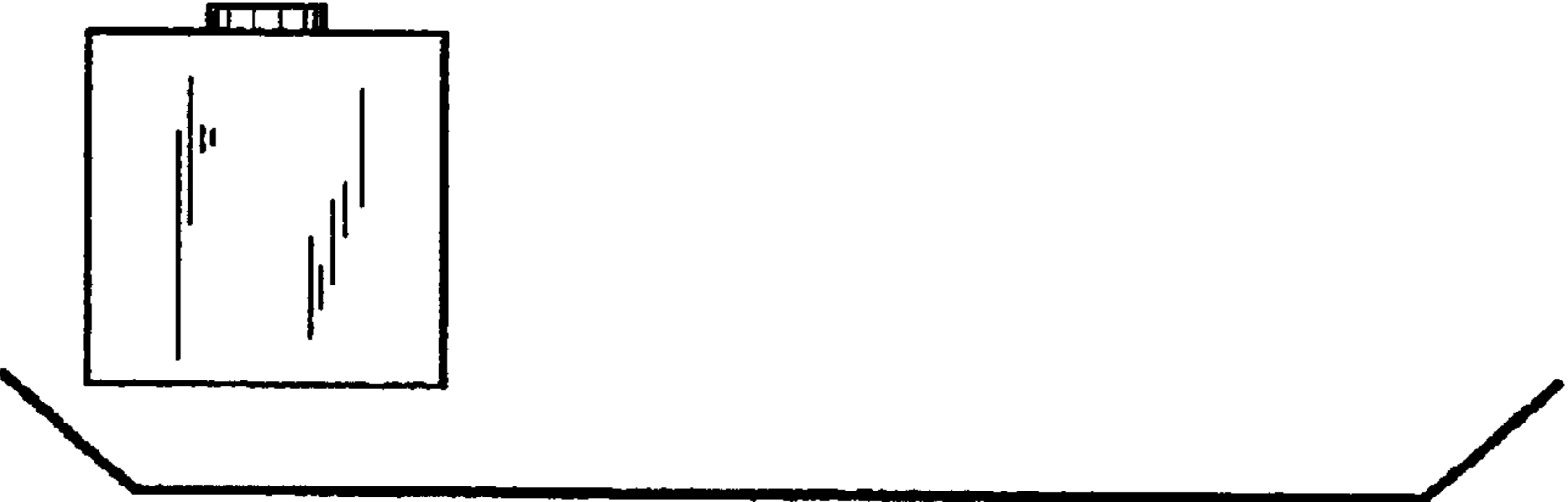


FIG. 3



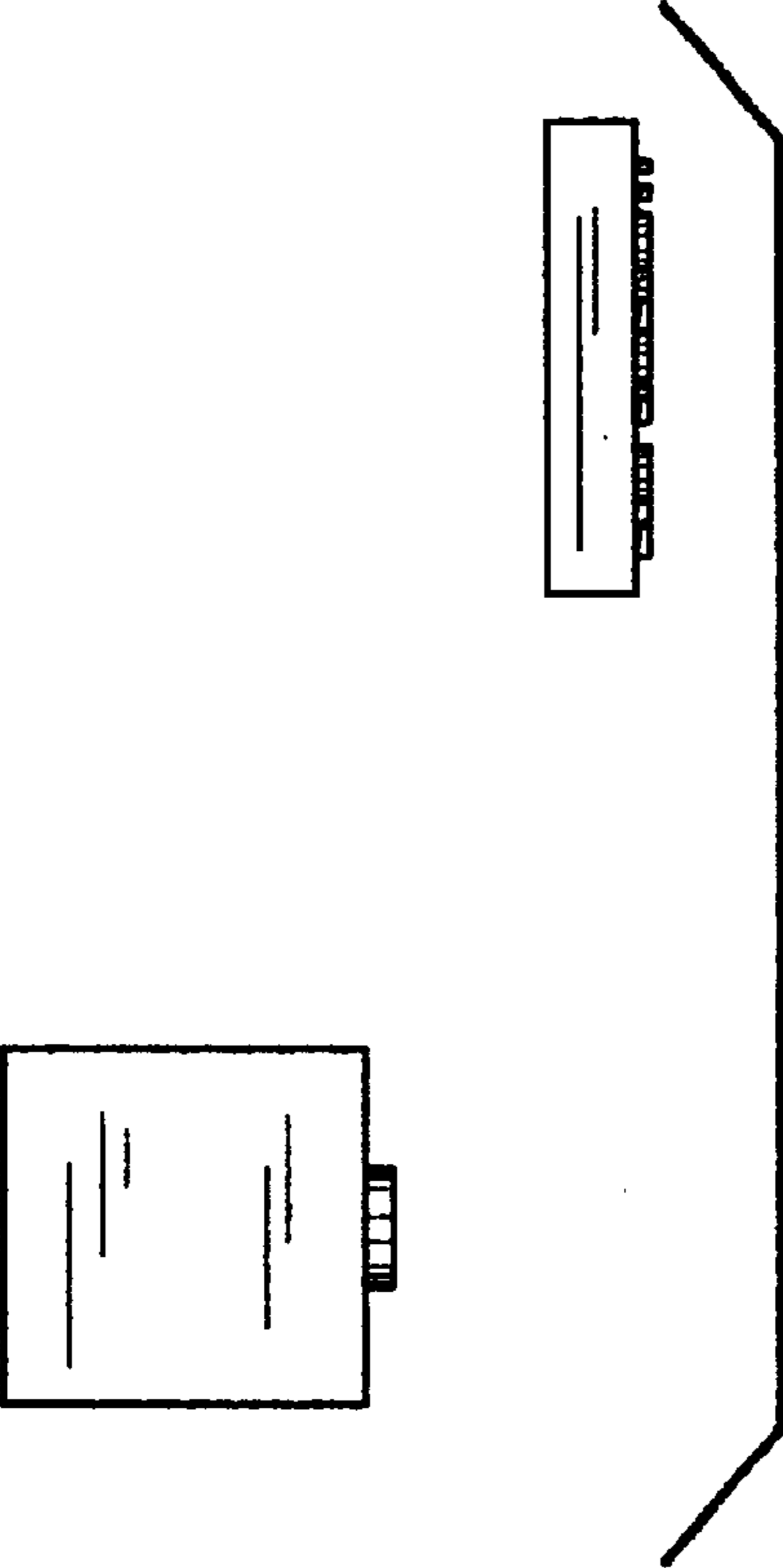


FIG. 5

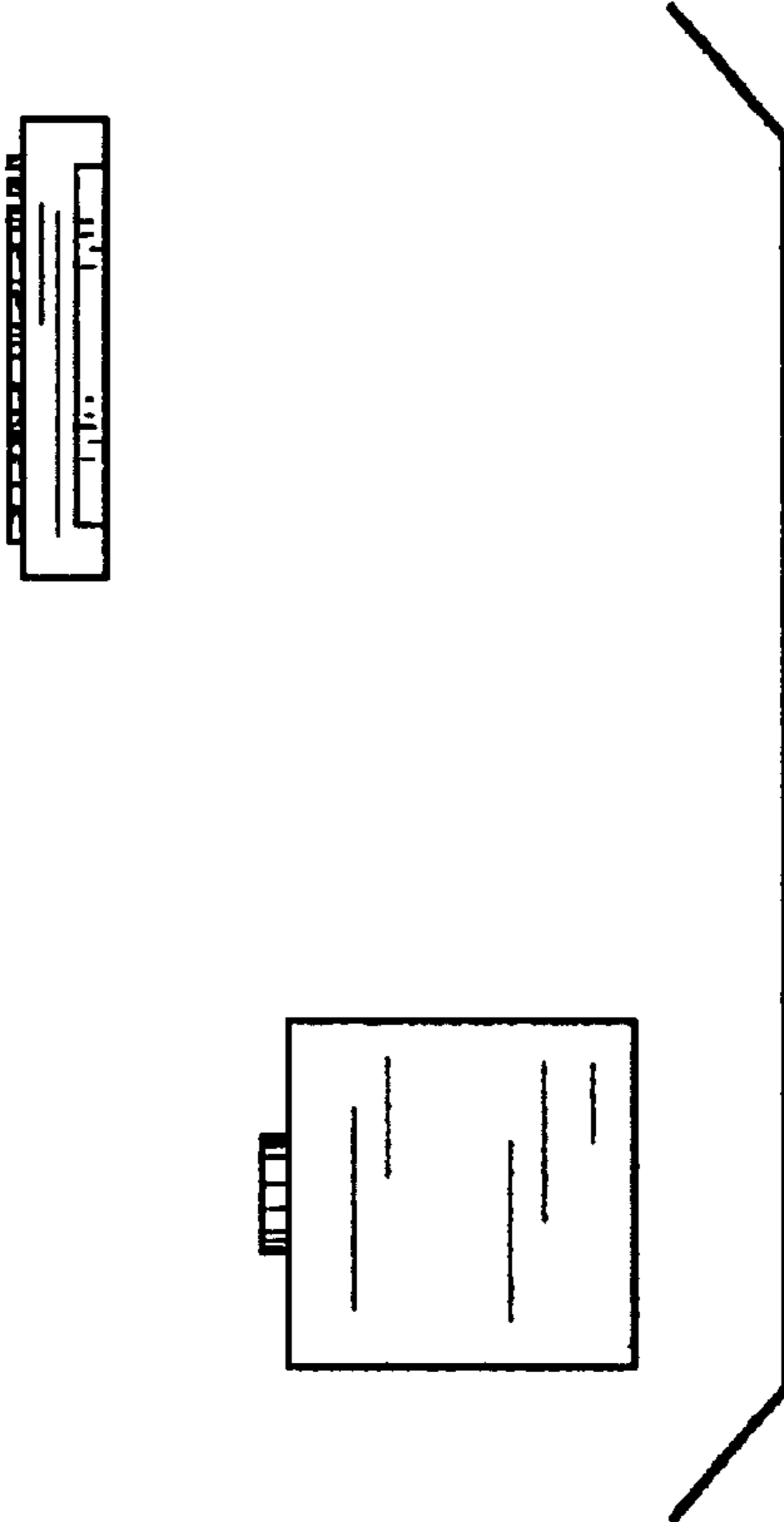


FIG. 6