

US00D492273S1

(12) **United States Design Patent**
Kawano

(10) **Patent No.:** **US D492,273 S**
(45) **Date of Patent:** **** Jun. 29, 2004**

(54) **LIQUID CRYSTAL TELEVISION WITH DVD
PLAYER**

(75) Inventor: **Yuichi Kawano**, Fukui (JP)

(73) Assignee: **Orion Electric Co., Ltd.**, Fukui (JP)

(**) Term: **14 Years**

(21) Appl. No.: **29/187,215**

(22) Filed: **Jul. 30, 2003**

(51) **LOC (7) Cl.** **14-03**

(52) **U.S. Cl.** **D14/129; D14/134**

(58) **Field of Search** D14/125-136,
D14/239, 371, 374-375, 337; 312/7.2; 348/825,
836, 838, 180, 184, 325, 739; 345/905,
104, 133, 156, 168, 87, 173; 248/917-924

(56) **References Cited**

U.S. PATENT DOCUMENTS

D321,346 S	*	11/1991	Sugiyama	D14/129
D419,538 S	*	1/2000	Matsuoka et al.	D14/376
D425,051 S	*	5/2000	Yukikado et al.	D14/129
D428,008 S	*	7/2000	Park	D14/379
D432,101 S	*	10/2000	Oba	D14/126

D439,224 S	*	3/2001	Kita	D14/126
D453,748 S	*	2/2002	Kita	D14/134
D456,370 S	*	4/2002	Kita	D14/126
D482,338 S	*	11/2003	Kabasawa et al.	D14/129
D483,726 S	*	12/2003	Teng et al.	D14/126
D486,131 S	*	2/2004	Otsuka	D14/126

* cited by examiner

Primary Examiner—Raphael Barkai

(74) *Attorney, Agent, or Firm*—Wenderoth, Lind & Ponack,
L.L.P.

(57) **CLAIM**

The original design for liquid crystal television with DVD
player, as shown.

DESCRIPTION

FIG. 1 is a perspective view of the liquid crystal television
with DVD player showing my new design;
FIG. 2 is a front elevational view thereof;
FIG. 3 is a right side elevational view thereof;
FIG. 4 is a left side elevational view thereof;
FIG. 5 is a rear elevational view thereof;
FIG. 6 is a top plan view thereof; and,
FIG. 7 is a bottom plan view thereof.

1 Claim, 4 Drawing Sheets

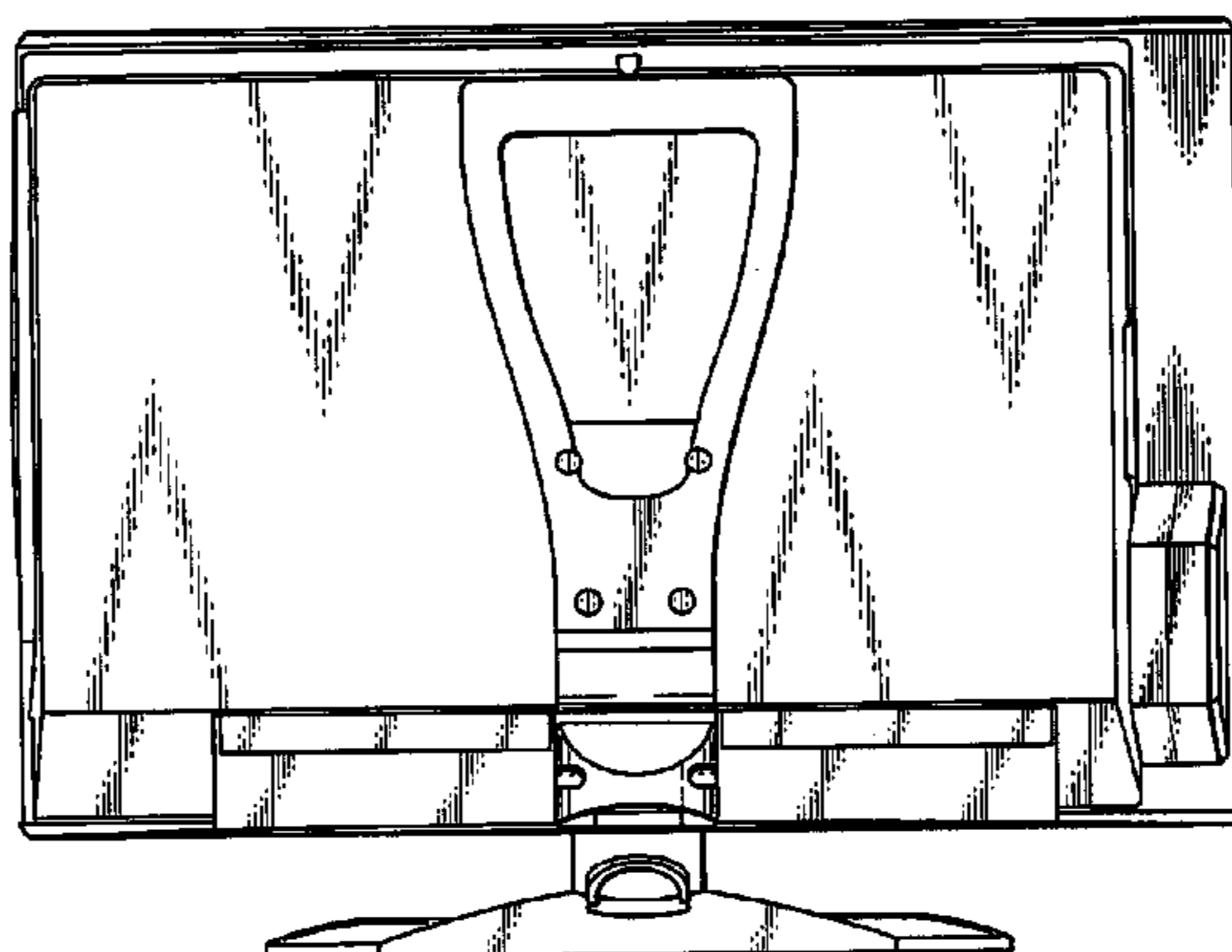
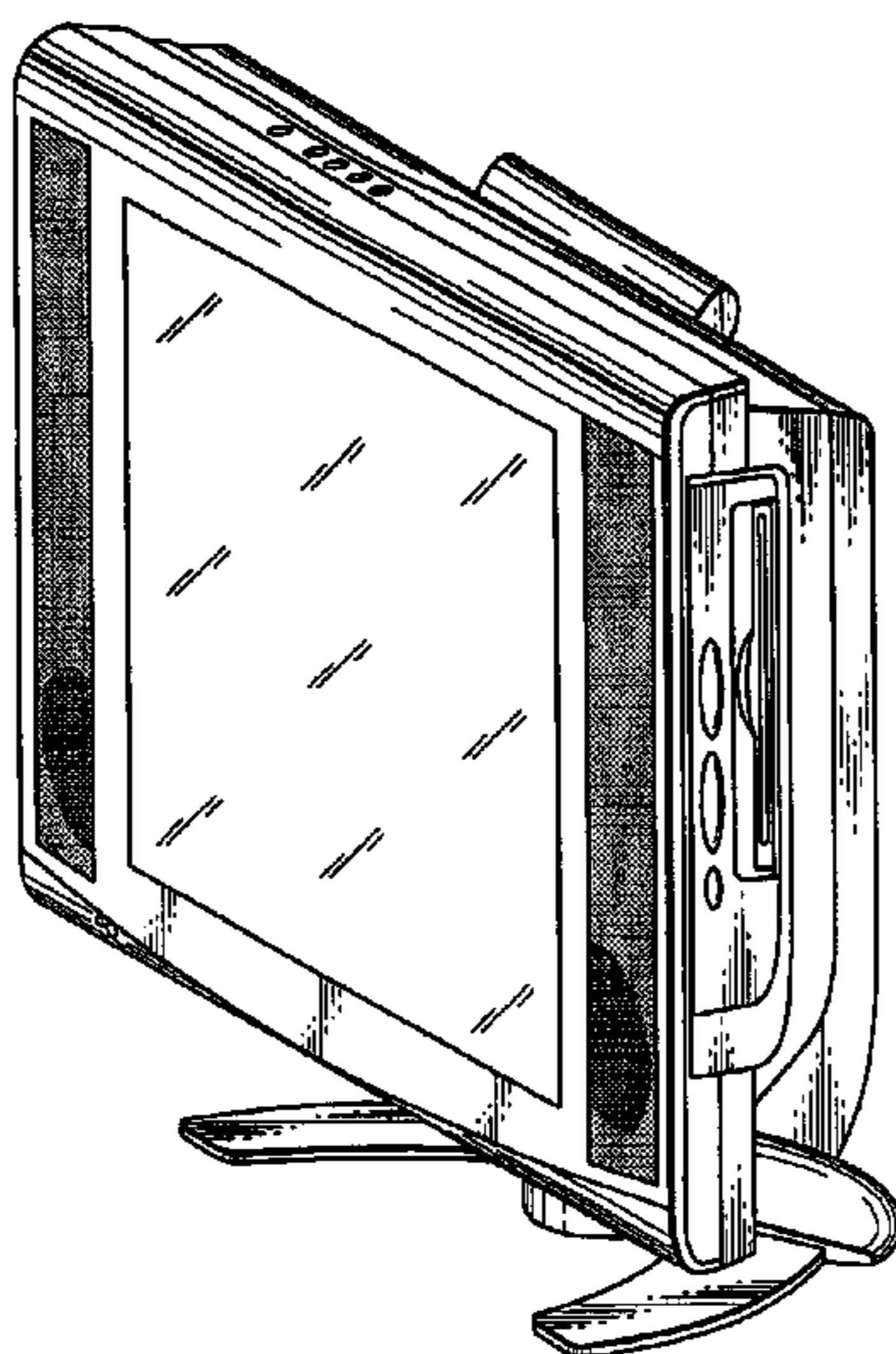


Fig. 1

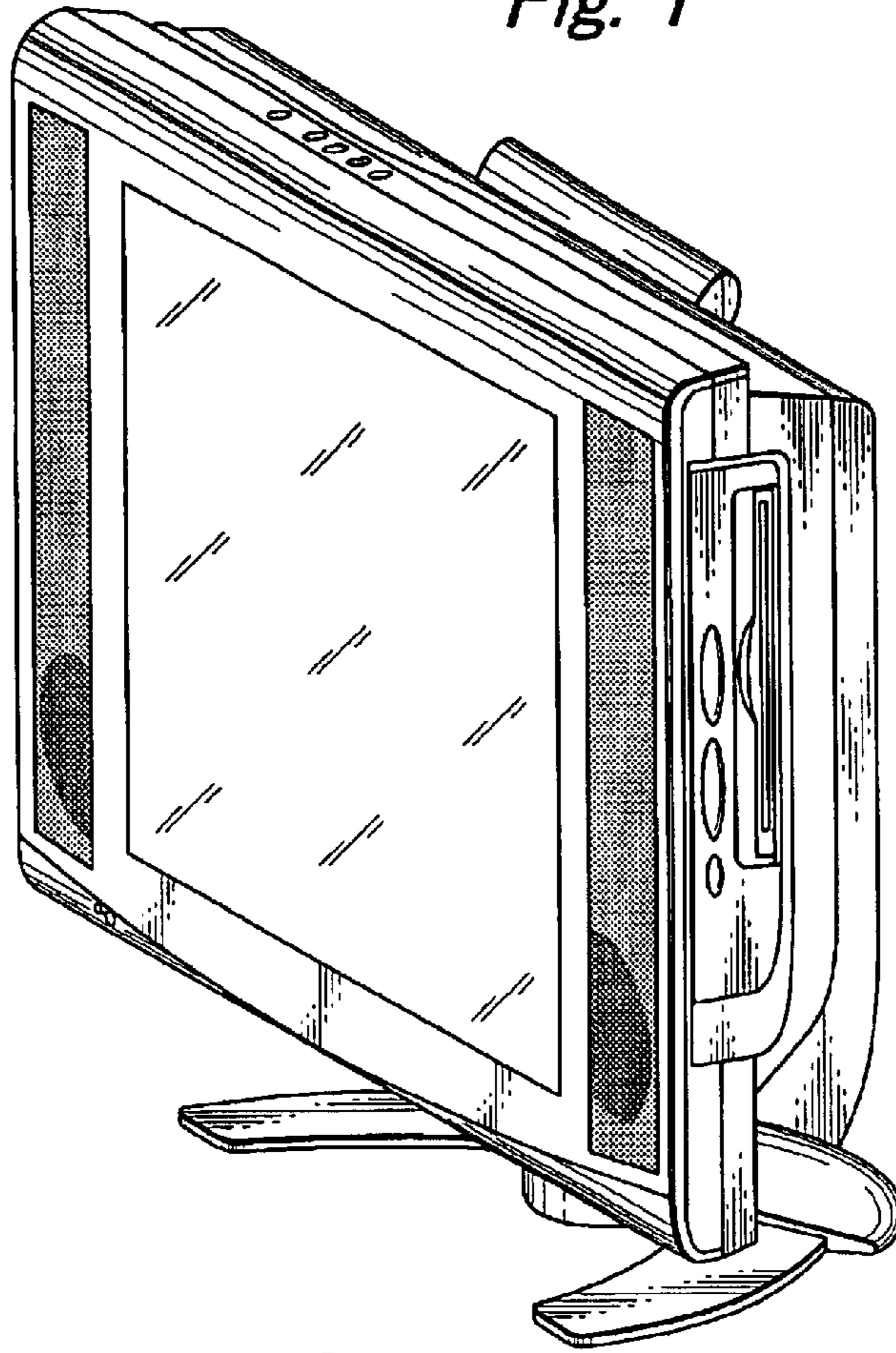


Fig. 2

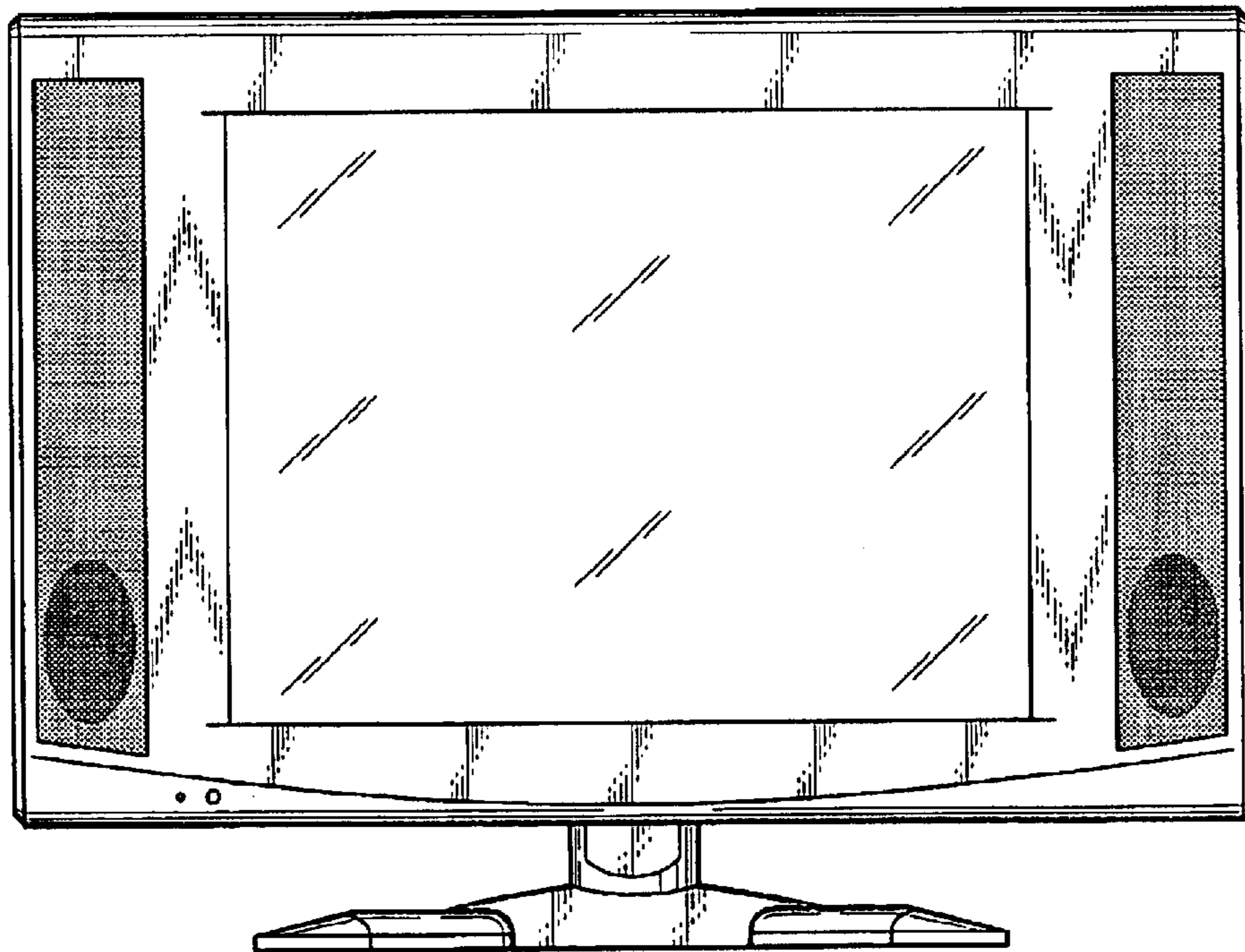


Fig. 3

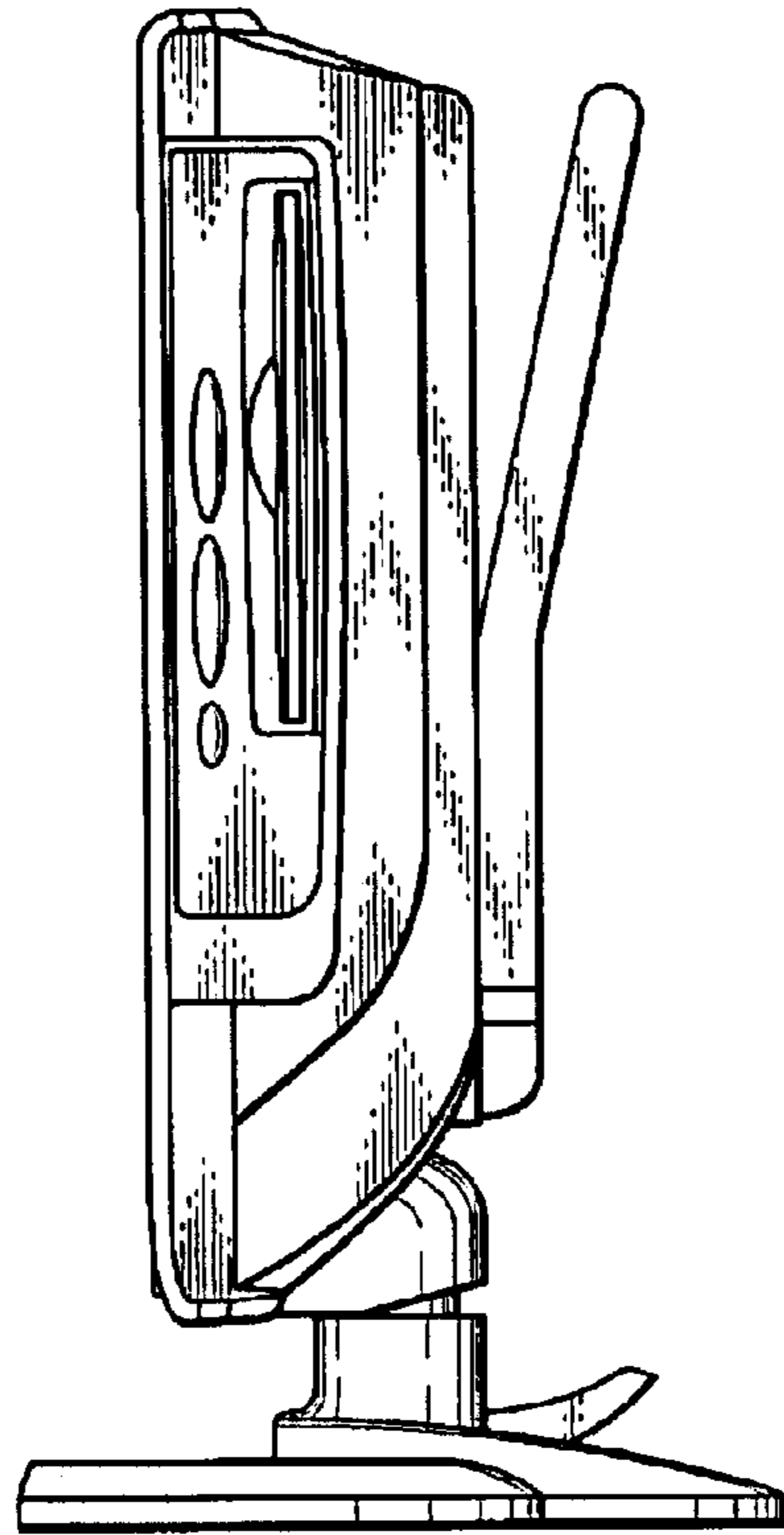


Fig. 4

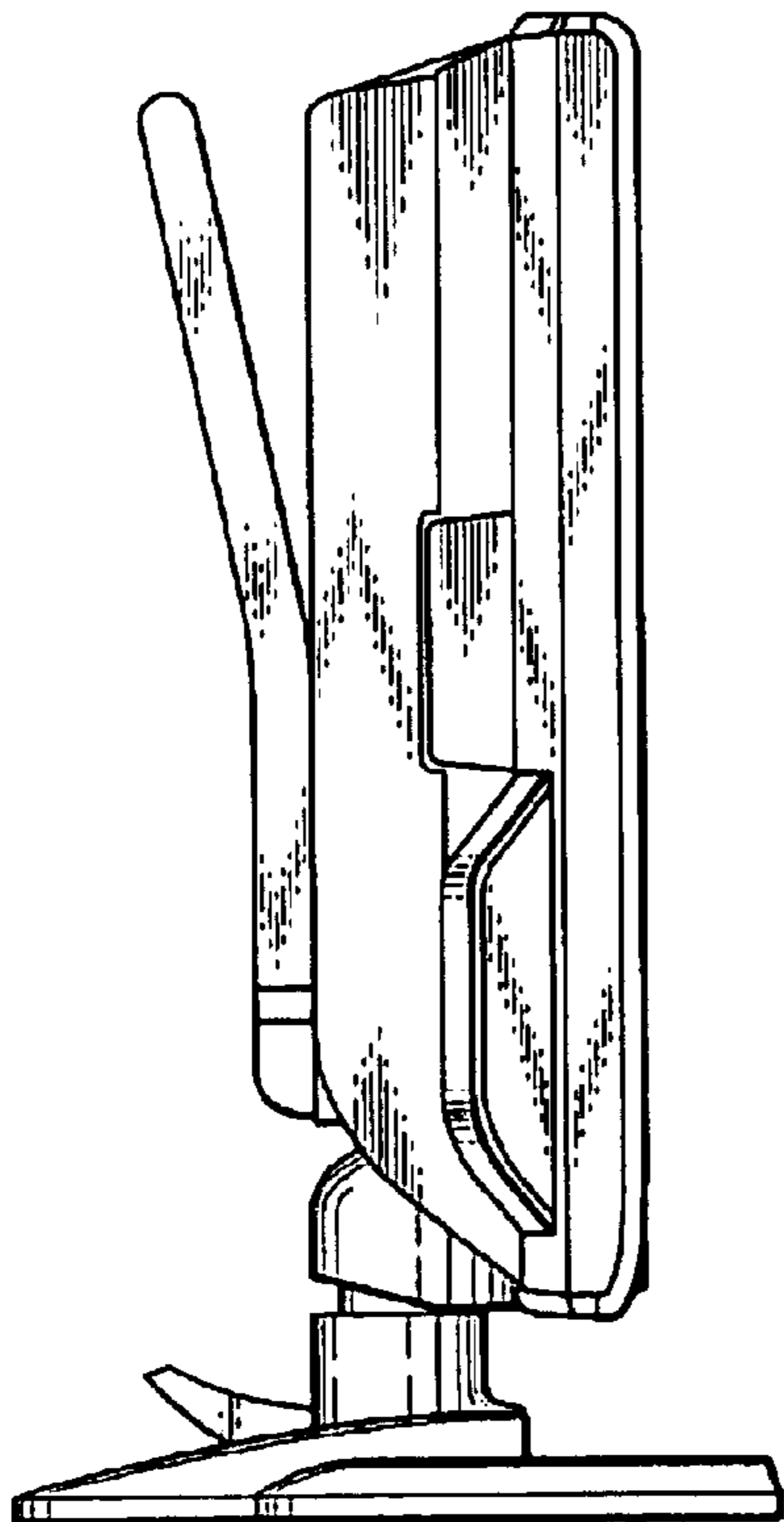


Fig. 5

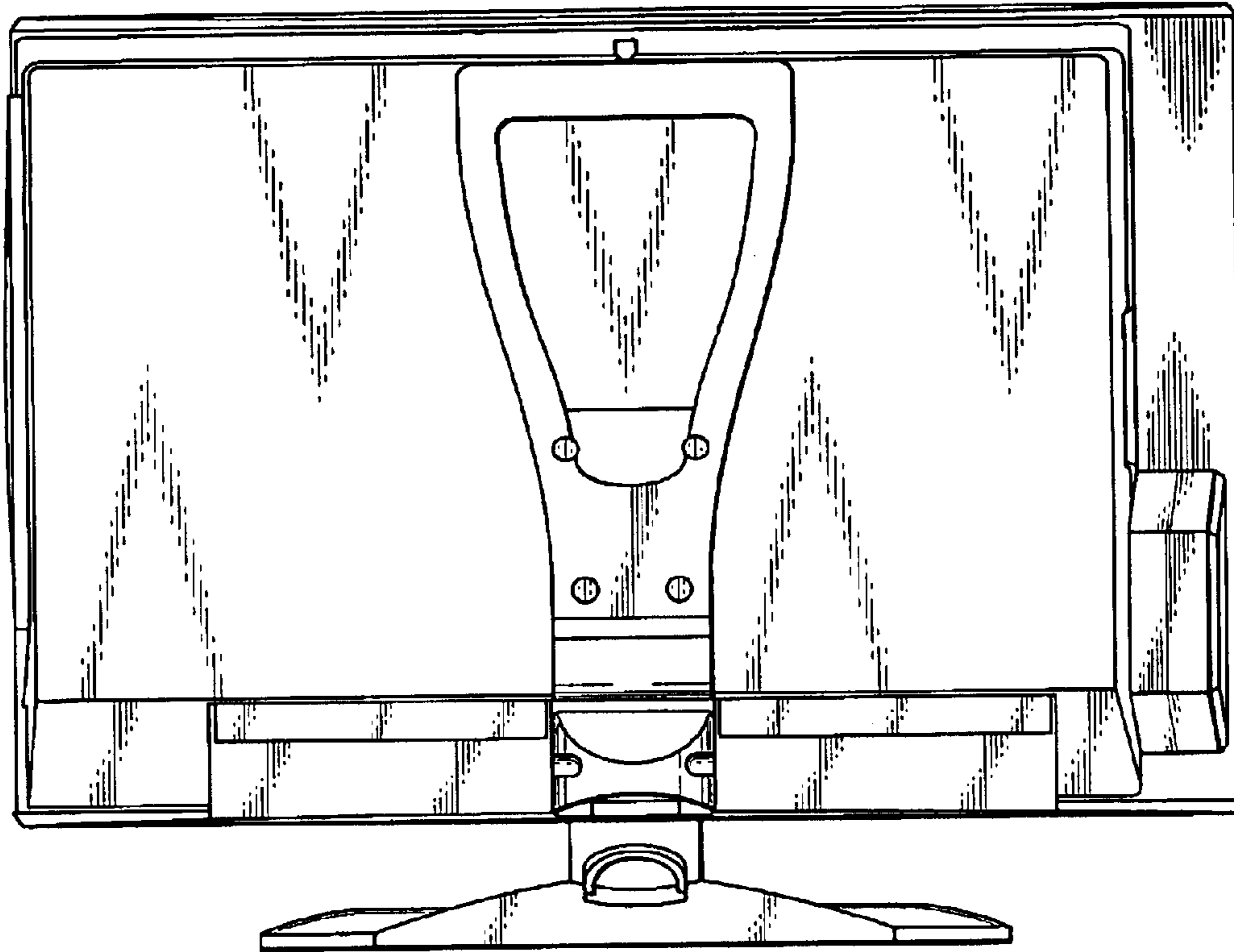


Fig. 6

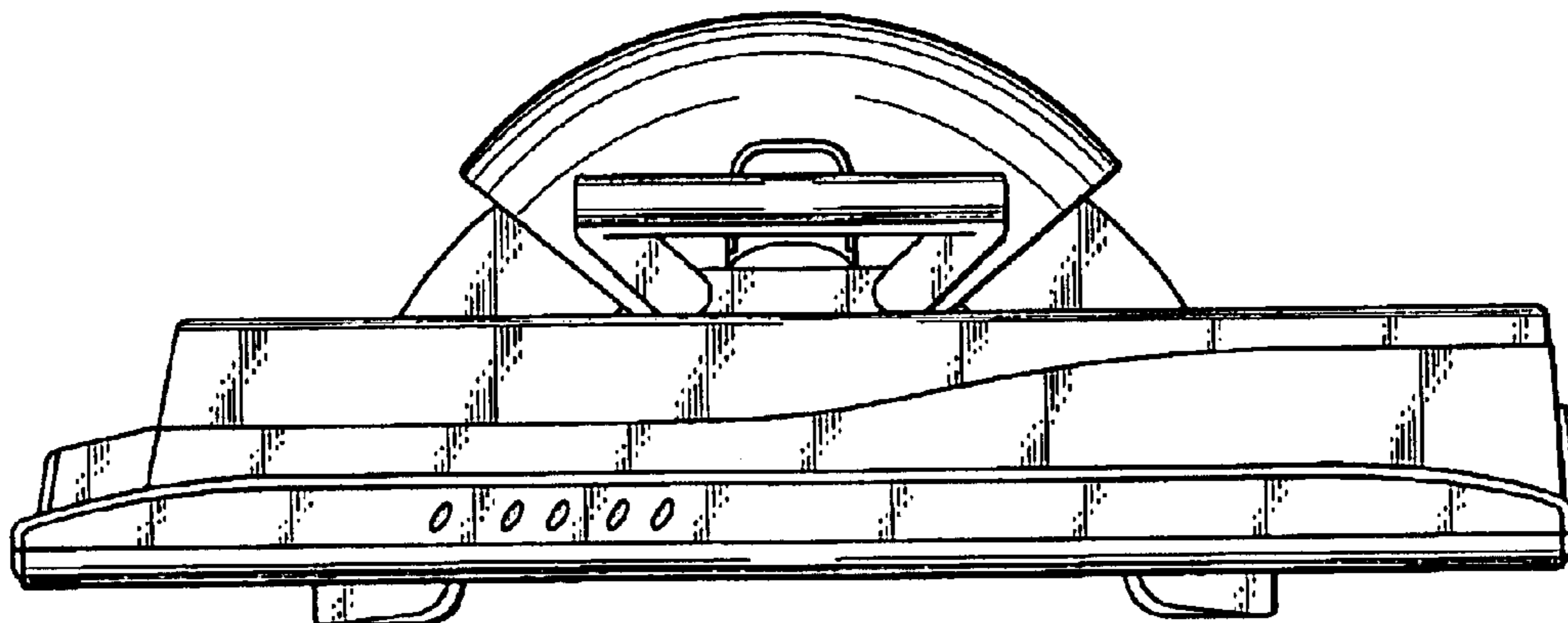


Fig. 7

