

US00D492269S1

(12) **United States Design Patent**  
**Kita**

(10) **Patent No.:** **US D492,269 S**  
(45) **Date of Patent:** **\*\* Jun. 29, 2004**

(54) **TELEVISION SET**  
(75) **Inventor:** **Toshiyuki Kita**, Osaka-fu (JP)  
(73) **Assignee:** **Sharp Kabushiki Kaisha** (JP)  
(\*\*) **Term:** **14 Years**

(21) **Appl. No.:** **29/187,973**  
(22) **Filed:** **Aug. 12, 2003**

(30) **Foreign Application Priority Data**

Feb. 12, 2003 (JP) ..... 2003-003121

(51) **LOC (7) Cl.** ..... **14-03**  
(52) **U.S. Cl.** ..... **D14/126**  
(58) **Field of Search** ..... D14/125-136,  
D14/239, 371, 374-375; 312/7.2; 348/836,  
838, 180, 184, 325, 739; 345/905, 104,  
133, 156, 168, 87, 173; 248/917-924; 341/12

(56) **References Cited**

**U.S. PATENT DOCUMENTS**

D336,645 S 6/1993 Saito et al.  
D337,113 S 7/1993 Saito et al.  
D342,497 S 12/1993 Saito et al.  
D342,501 S 12/1993 Saeki et al.  
D342,509 S 12/1993 Saito et al.  
D351,155 S 10/1994 Usami et al.  
D351,156 S 10/1994 Usami et al.  
D357,244 S 4/1995 Usami et al.  
D357,245 S 4/1995 Usami et al.  
D357,472 S 4/1995 Usami et al.  
D369,596 S 5/1996 Akiyama et al.

D372,026 S 7/1996 Akiyama et al.  
D373,583 S 9/1996 Akiyama et al.  
D427,169 S 6/2000 Saeki et al.  
D429,227 S 8/2000 Shimizu  
D431,537 S 10/2000 Saeki et al.  
D438,848 S 3/2001 Kita  
D439,224 S 3/2001 Kita  
D439,225 S 3/2001 Kita  
D453,747 S 2/2002 Kita  
D453,748 S 2/2002 Kita  
D456,370 S 4/2002 Kita  
D458,910 S 6/2002 Kita  
D476,632 S \* 7/2003 Inoue et al. .... D14/126  
D486,131 S \* 2/2004 Otsuka ..... D14/126

\* cited by examiner

*Primary Examiner*—Raphael Barkai  
(74) *Attorney, Agent, or Firm*—Nixon & Vanderhye P.C.

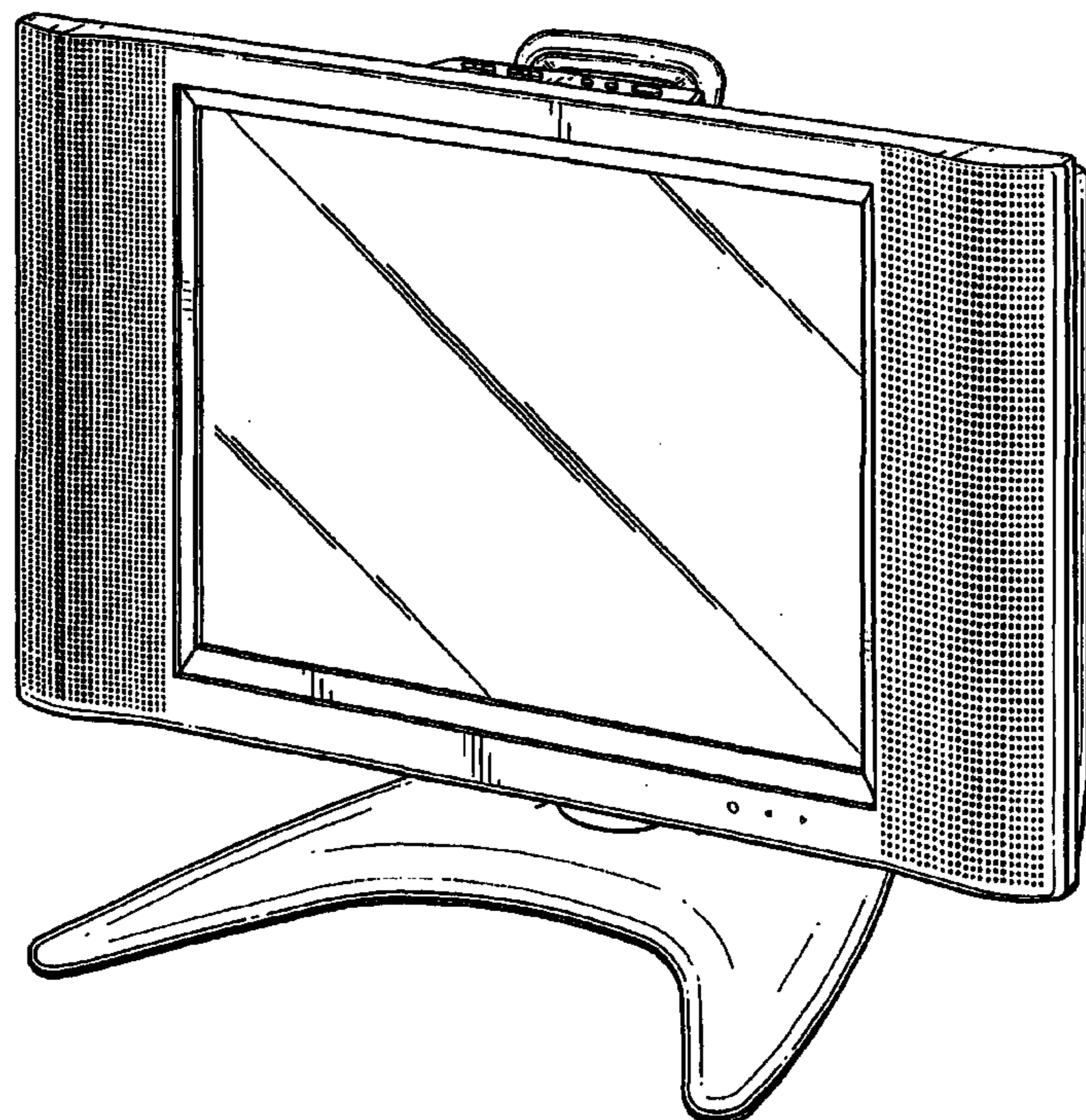
(57) **CLAIM**

The ornamental design for a “television set,” as shown and described.

**DESCRIPTION**

FIG. 1 is a top front and right side perspective view of a television set according to my design;  
FIG. 2 is a front elevational view thereof;  
FIG. 3 is a rear elevational view thereof;  
FIG. 4 is a left side elevational view thereof;  
FIG. 5 is a right side elevational view thereof;  
FIG. 6 is a top plan view thereof;  
FIG. 7 is a bottom plan view thereof; and,  
FIG. 8 is a top left side and rear perspective view thereof.

**1 Claim, 7 Drawing Sheets**



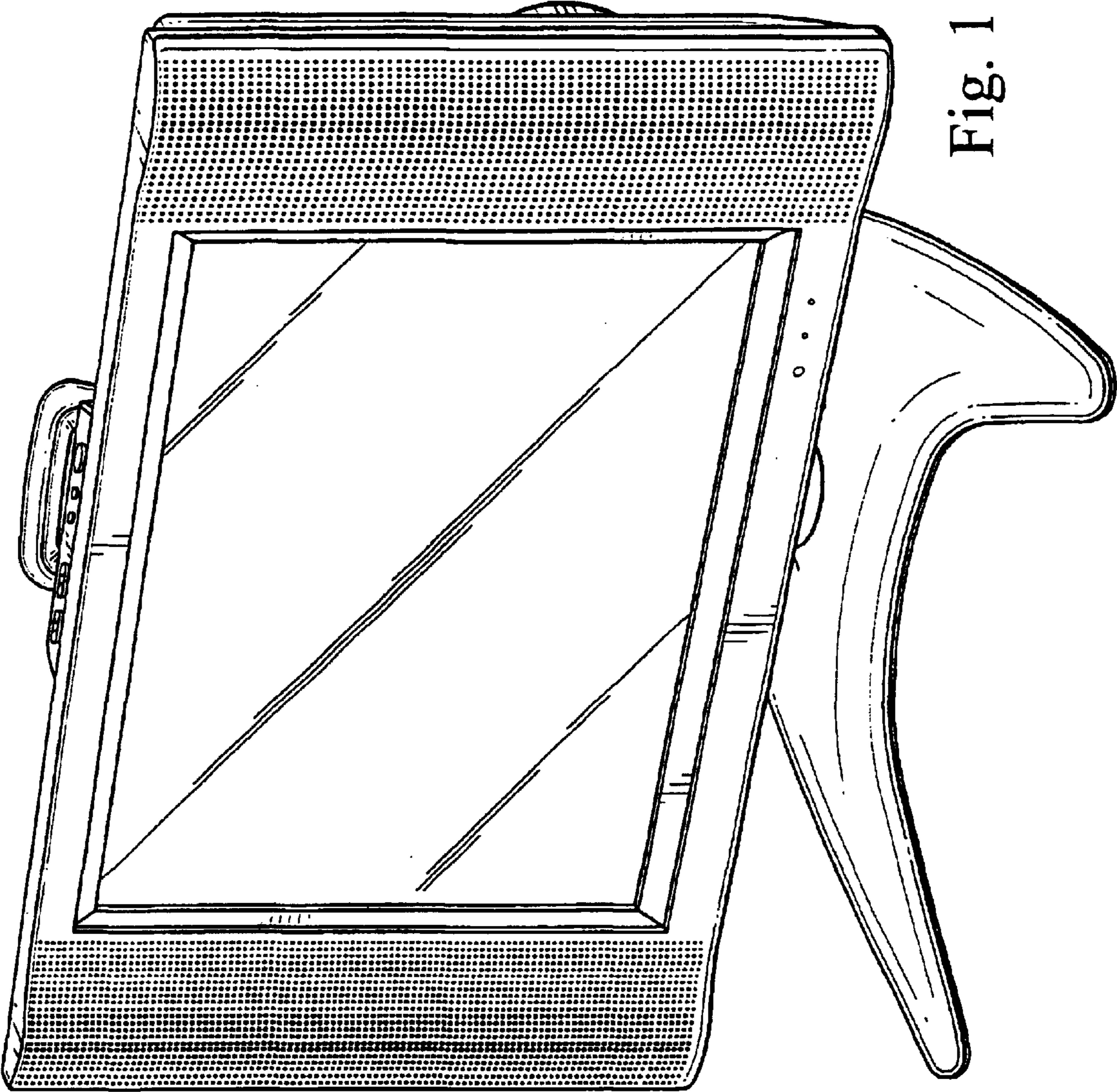


Fig. 1

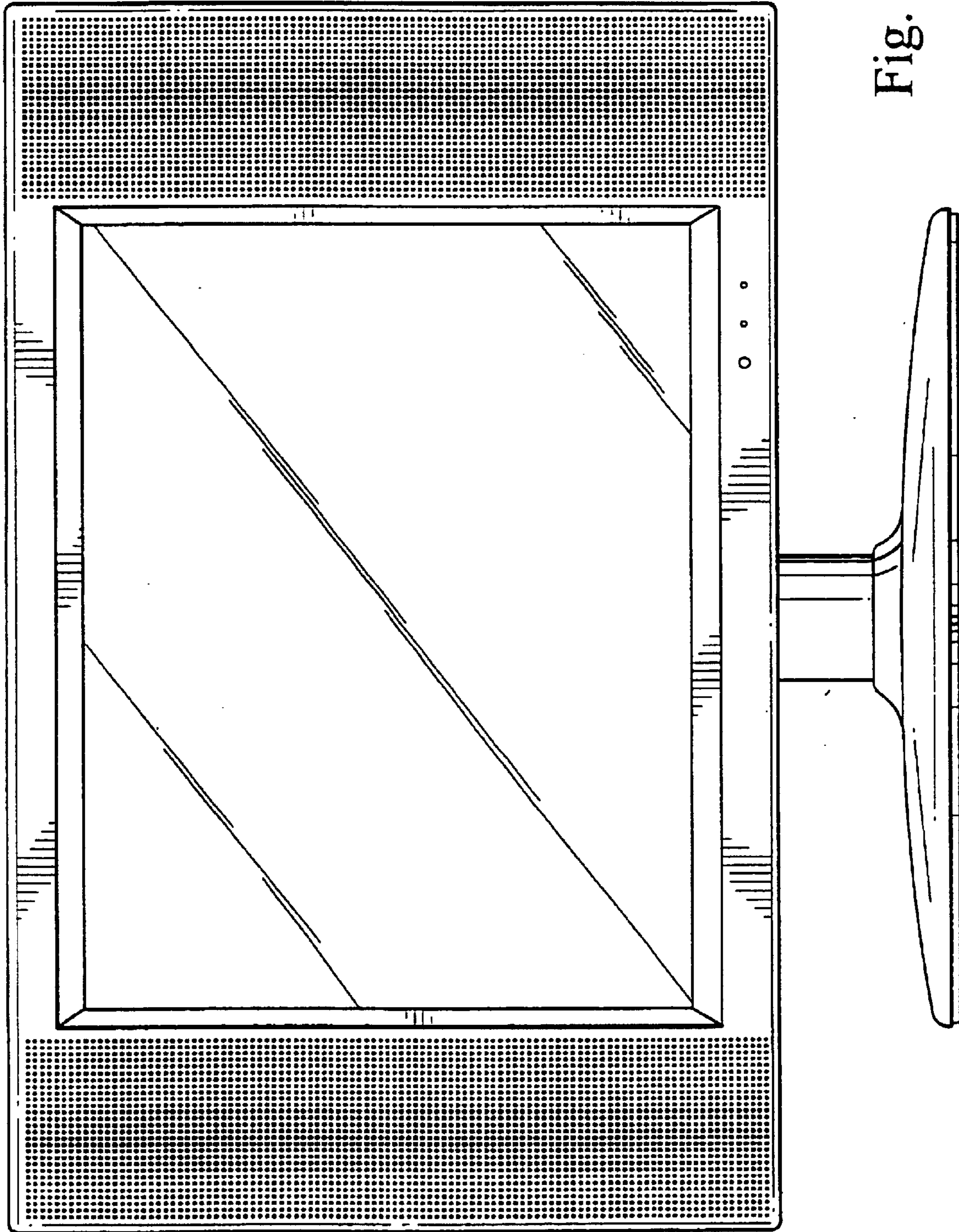


Fig. 2

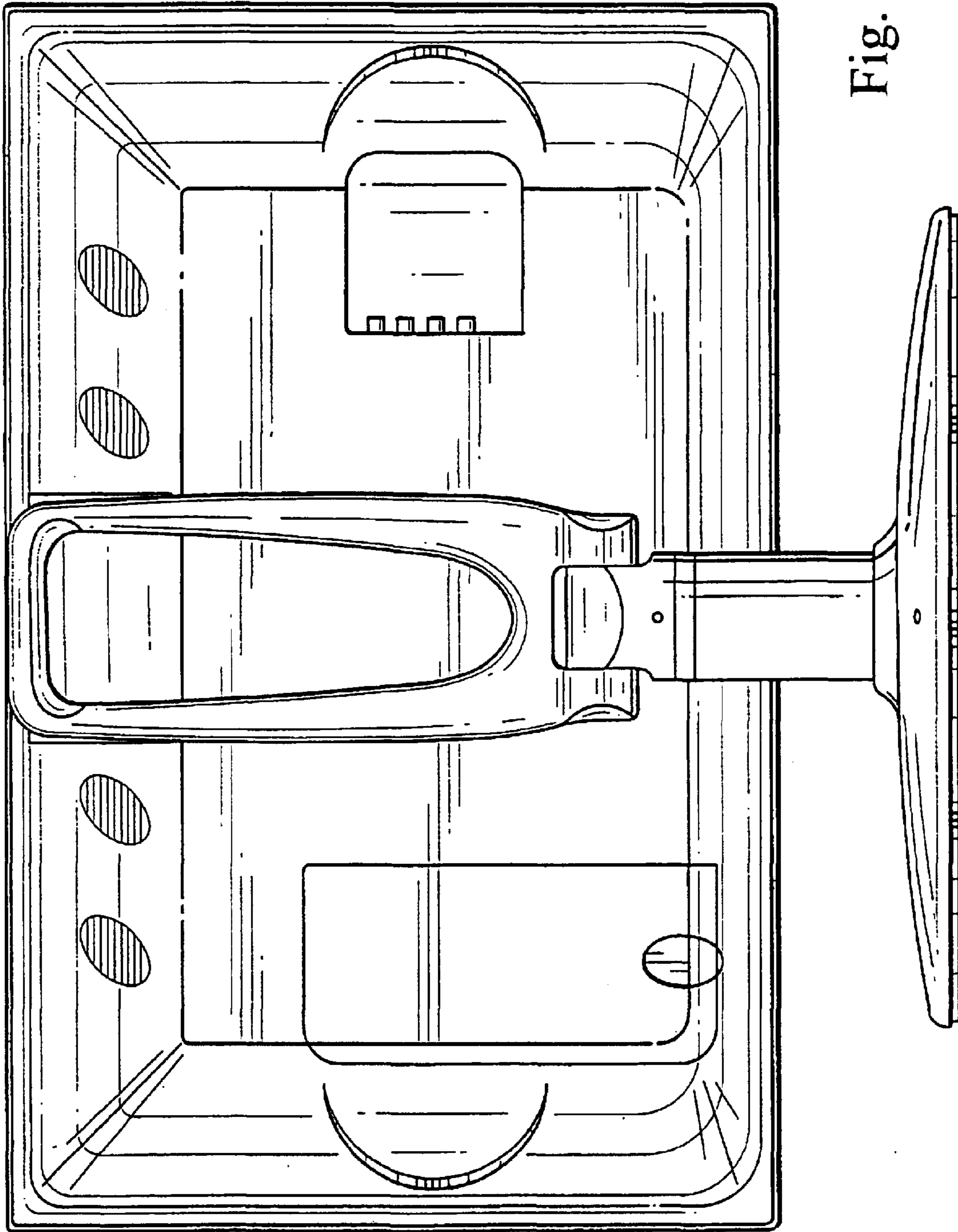


Fig. 3

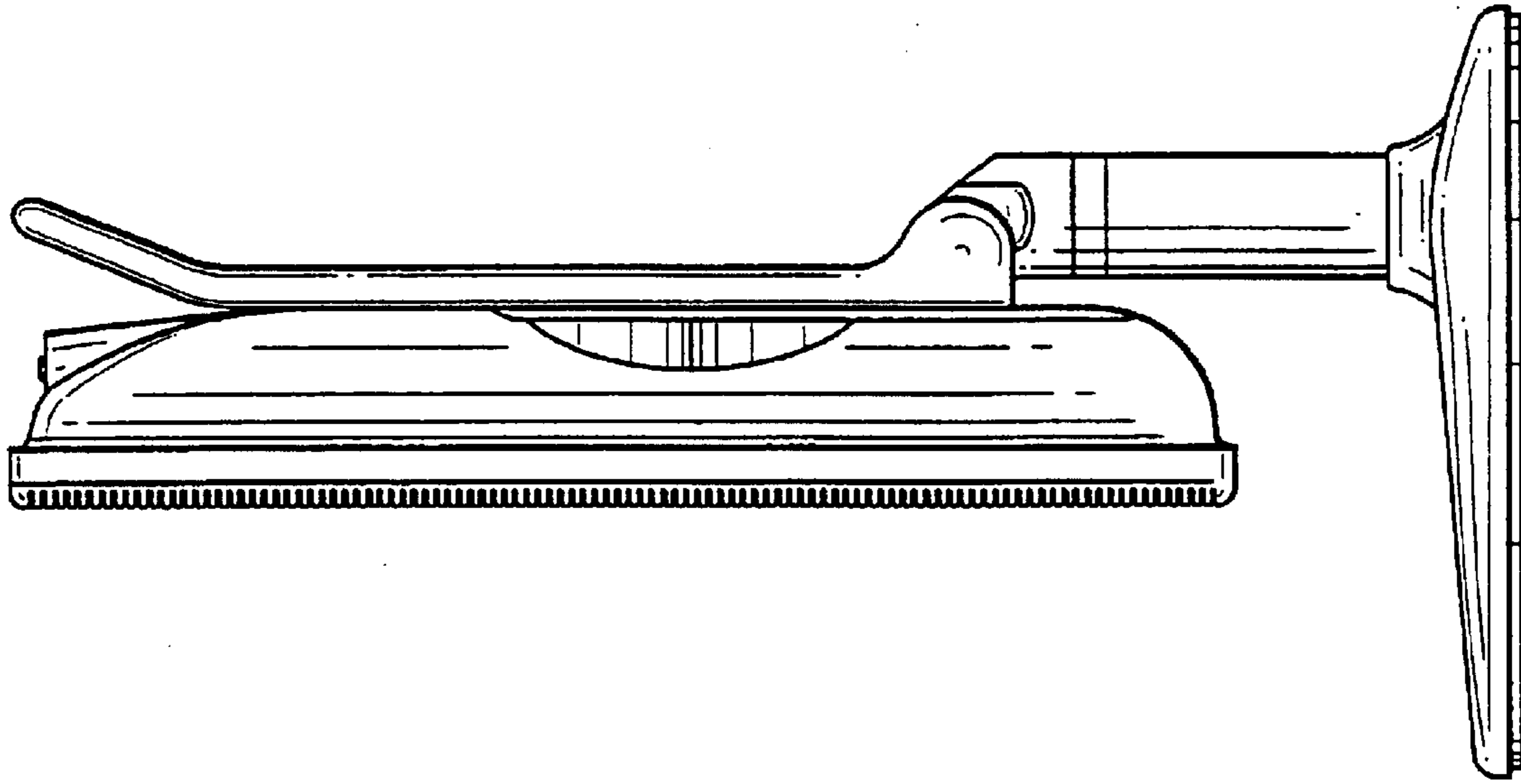


Fig. 5

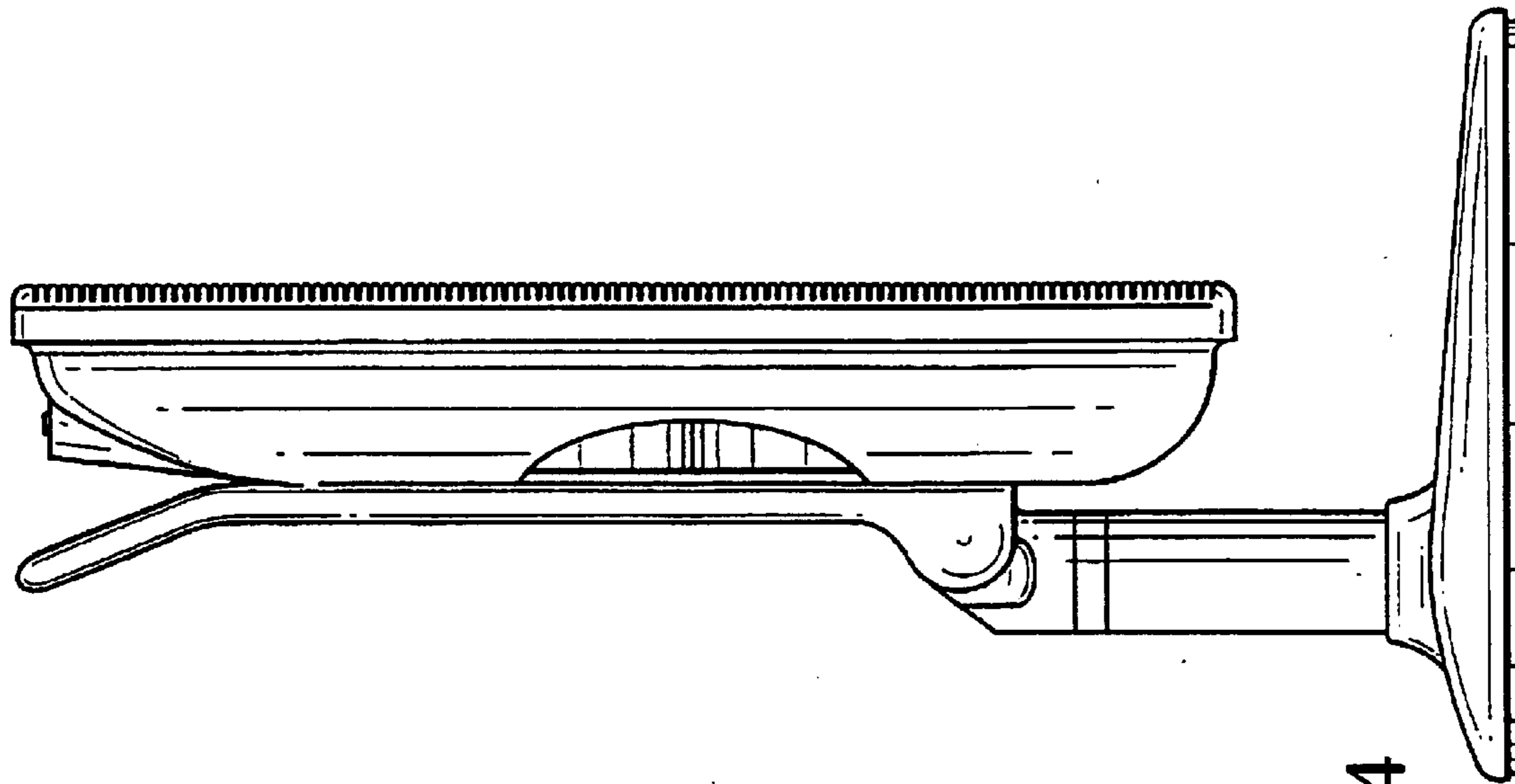


Fig. 4

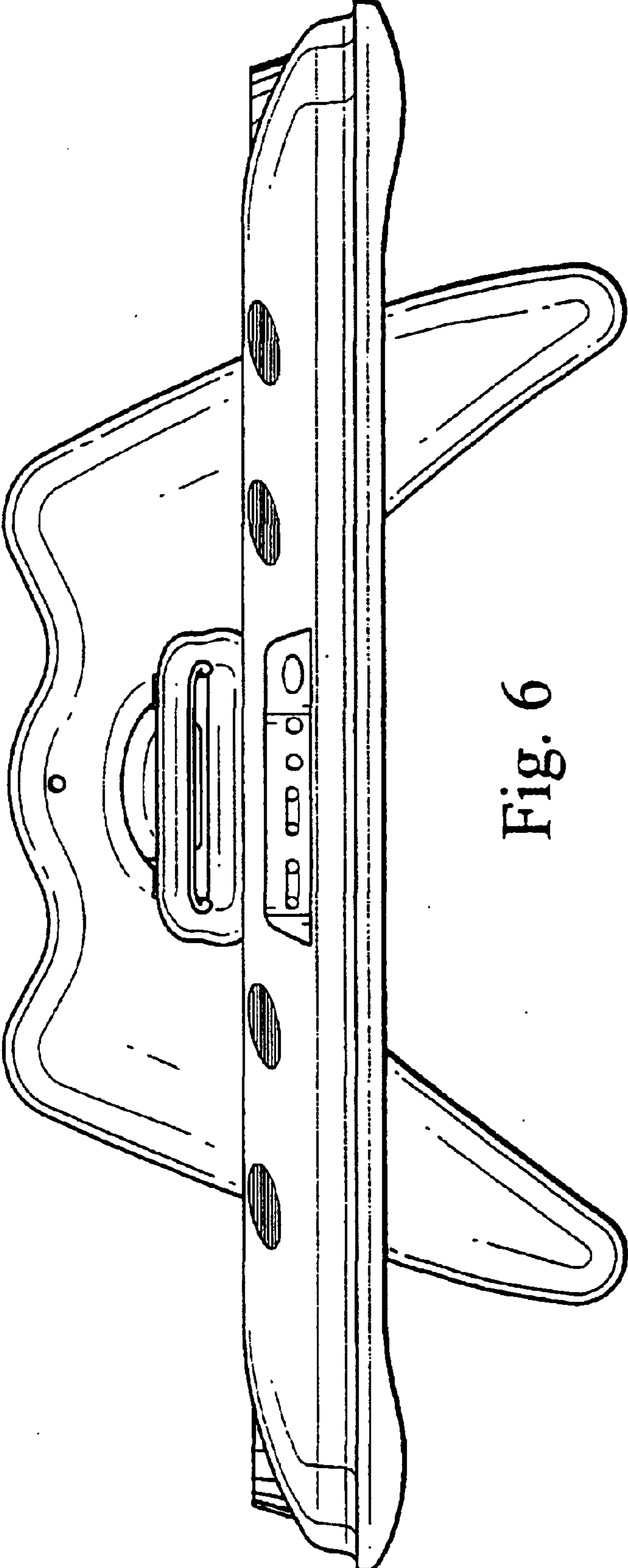


Fig. 6

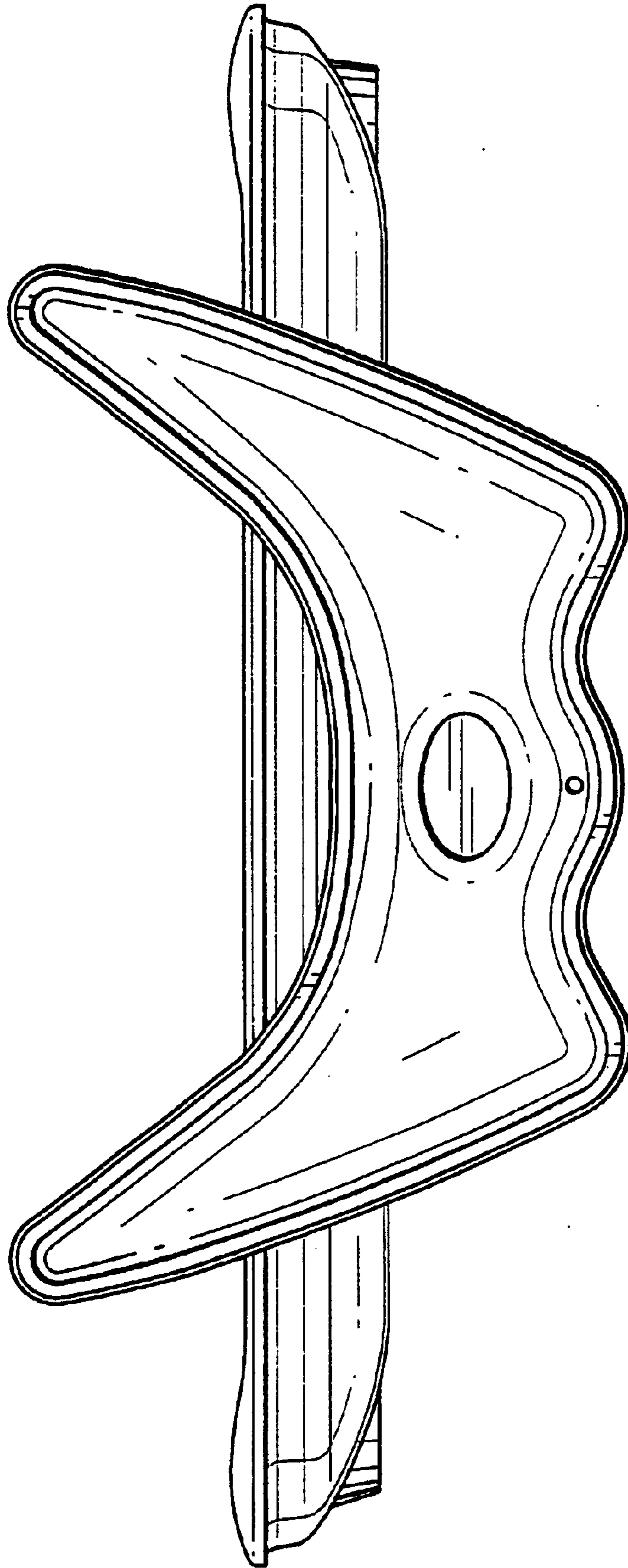


Fig. 7

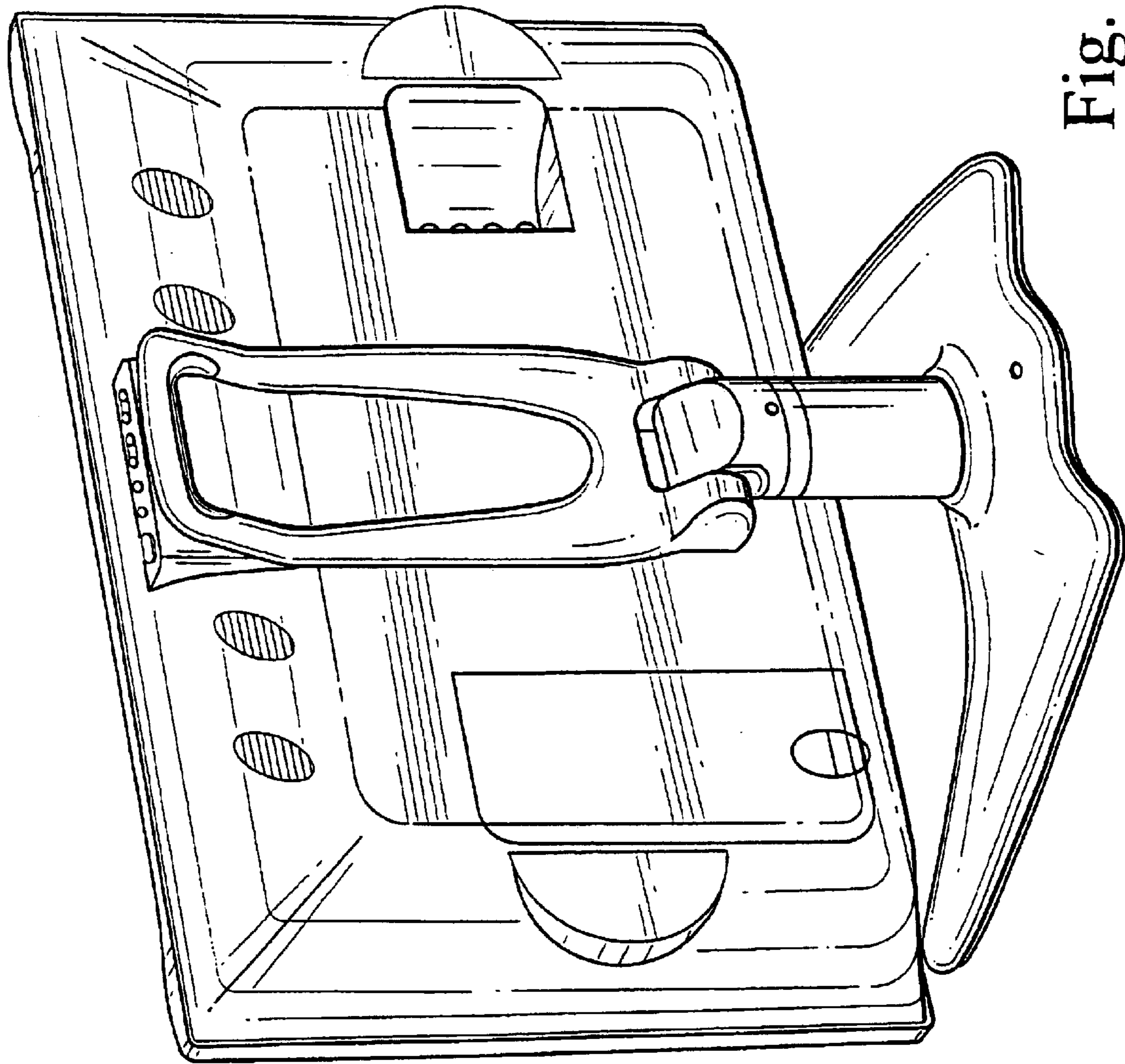


Fig. 8