

US00D492264S1

(12) **United States Design Patent**
Perez et al.

(10) **Patent No.:** **US D492,264 S**
(45) **Date of Patent:** **** Jun. 29, 2004**

(54) **IRRIGATION CONTROLLER CONTROL PANEL**

(75) Inventors: **Sergio R. Perez**, San Diego, CA (US);
Roger S. Neitzel, Escondido, CA (US);
Ken R. Venegas, San Diego, CA (US)

(73) Assignee: **Rain Bird Corporation**, Glendora, CA (US)

(**) Term: **14 Years**

(21) Appl. No.: **29/193,705**

(22) Filed: **Nov. 12, 2003**

(51) **LOC (7) Cl.** **13-03**

(52) **U.S. Cl.** **D13/162**

(58) **Field of Search** D13/123, 162,
D13/164; D10/46, 49, 96, 99; 137/80, 377,
624.11, 624.12, 624.18; 239/64, 69, 70;
700/16, 17, 19, 284

(56) **References Cited**

U.S. PATENT DOCUMENTS

5,479,338 A * 12/1995 Ericksen et al. 700/16
5,568,376 A * 10/1996 Benmergui et al. 700/16
D398,901 S * 9/1998 Roman D13/123
6,240,325 B1 * 5/2001 Brundisini 700/19

6,240,336 B1 * 5/2001 Brundisini 700/284
6,402,049 B1 * 6/2002 Youngs, Jr. 239/70
D477,287 S * 7/2003 Roman D13/162
D484,465 S * 12/2003 Ventress et al. D13/162

* cited by examiner

Primary Examiner—Philip S. Hyder

Assistant Examiner—Selina Sikder

(74) *Attorney, Agent, or Firm*—John D. Bauersfeld; Kelly Bauersfeld Lowry & Kelley, LLP

(57) **CLAIM**

The ornamental design for a irrigation controller control panel, as shown and described.

DESCRIPTION

FIG. 1 is a front side perspective view taken from the bottom, right side of an irrigation controller control panel embodying our new design;

FIG. 2 is a front elevational view thereof;

FIG. 3 is a bottom plan view thereof;

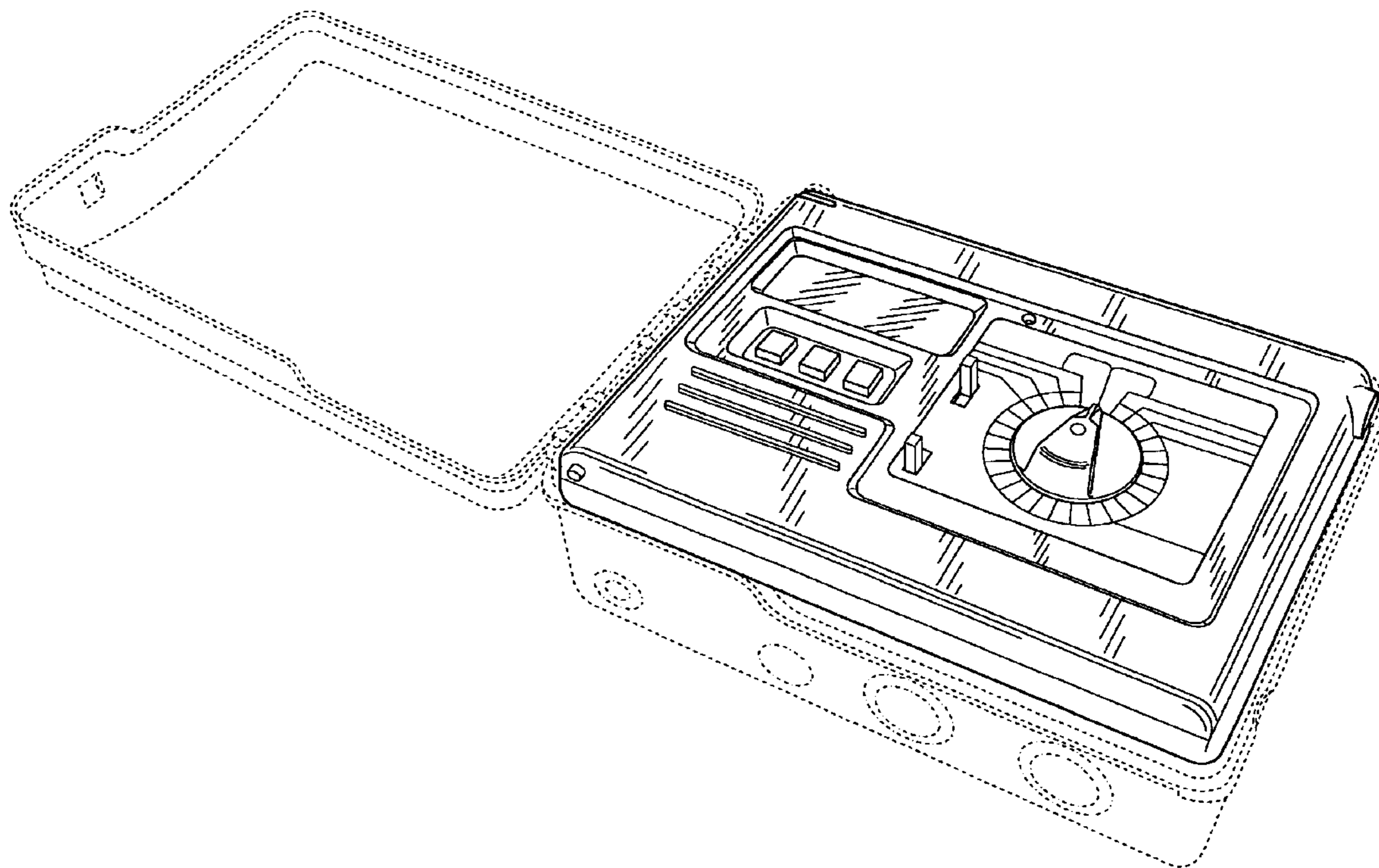
FIG. 4 is a top plan view thereof;

FIG. 5 is a right side elevational view thereof; and,

FIG. 6 is a left side elevational view thereof.

The broken line representation of an irrigation controller housing in FIG. 1 is for purposes of illustration only and forms no part of the claimed design.

1 Claim, 2 Drawing Sheets



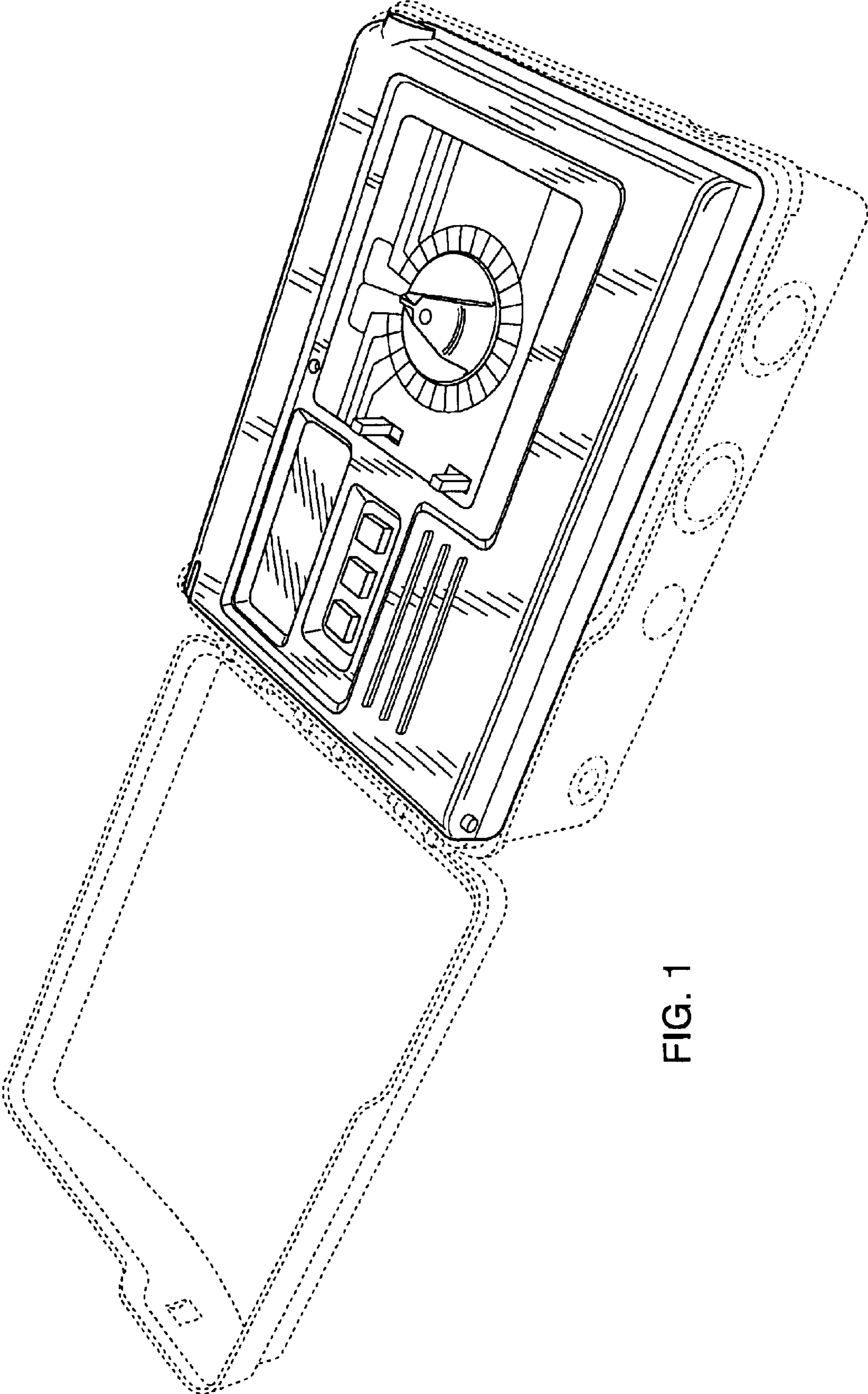


FIG. 1

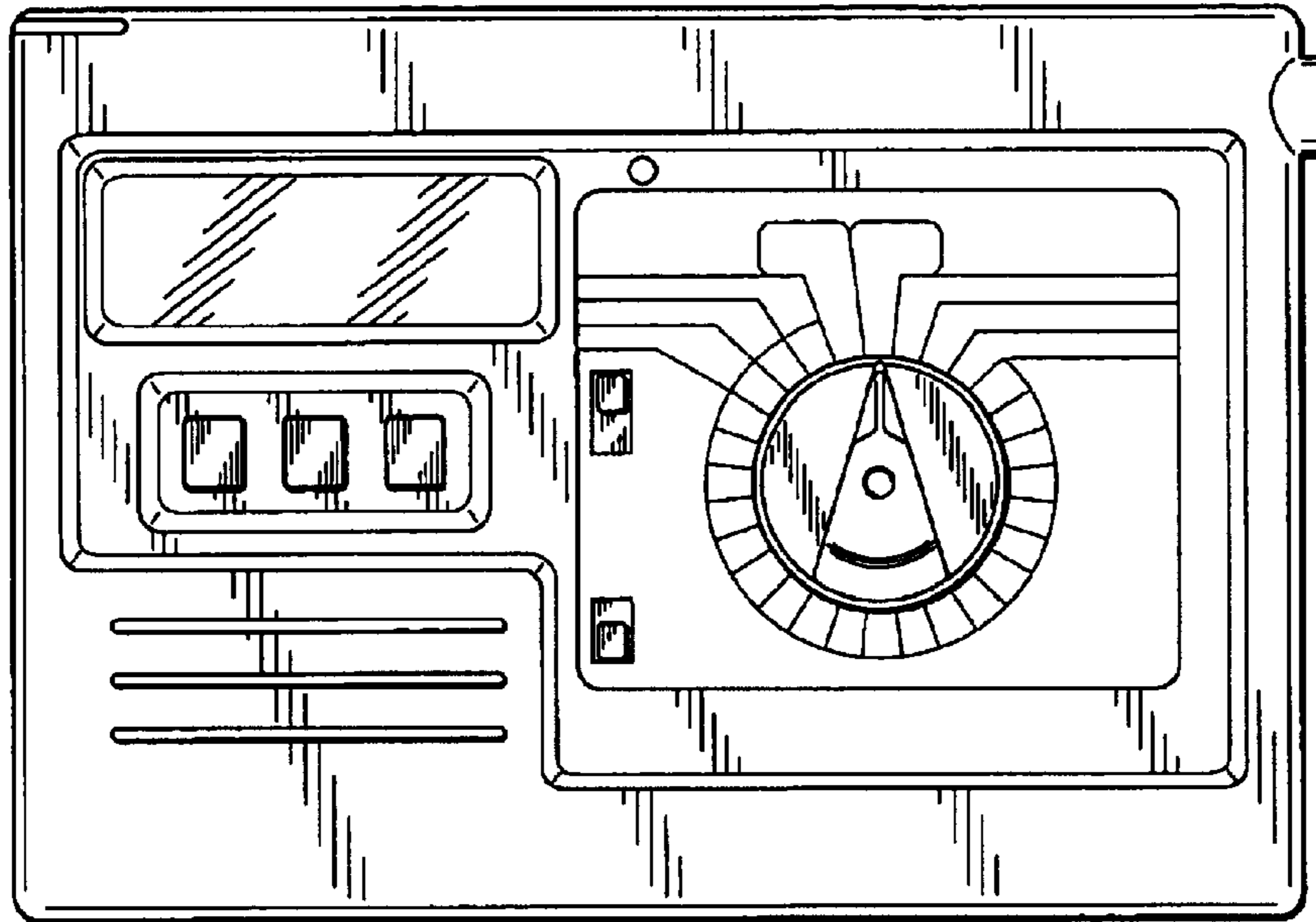


FIG. 2



FIG. 3



FIG. 4

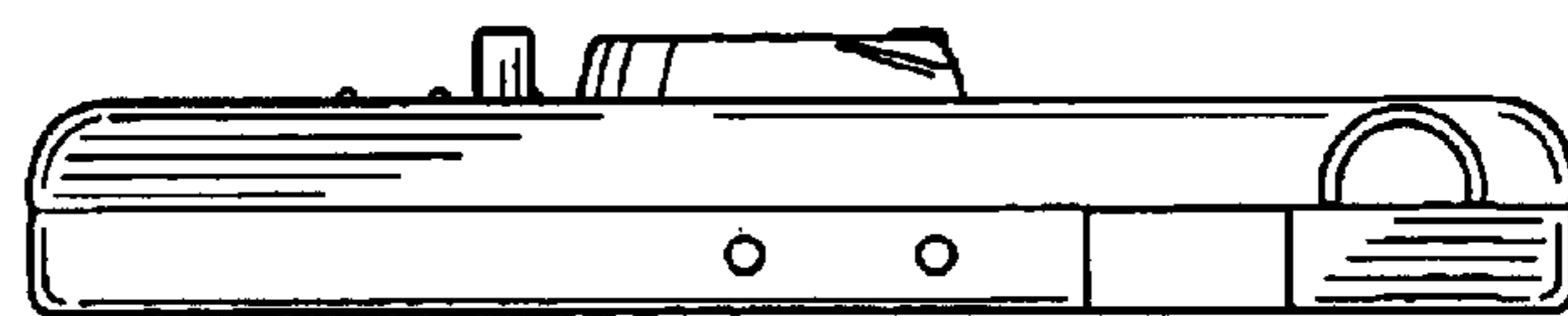


FIG. 5

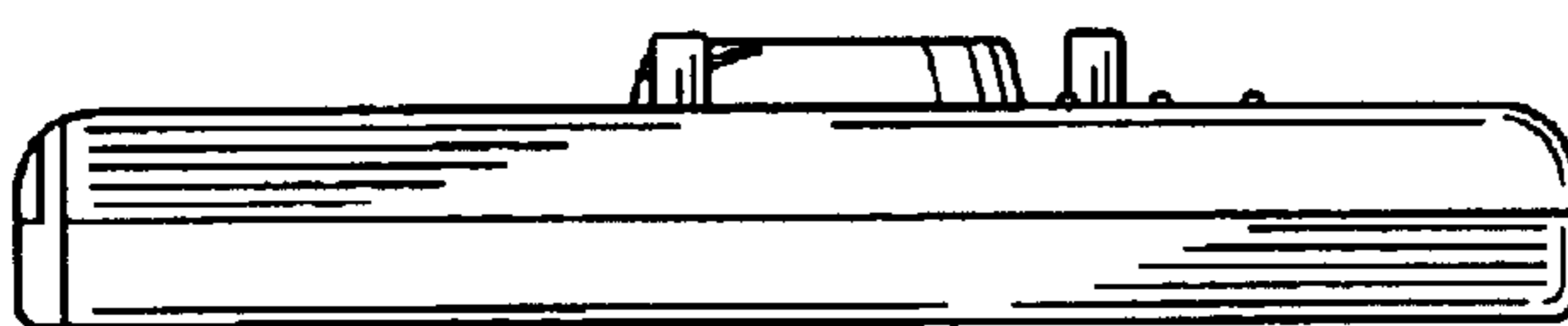


FIG. 6

UNITED STATES PATENT AND TRADEMARK OFFICE
CERTIFICATE OF CORRECTION

PATENT NO. : Des. 492,264 S
DATED : June 29, 2004
INVENTOR(S) : Sergio R. Perez et al.

Page 1 of 2

It is certified that error appears in the above-identified patent and that said Letters Patent is hereby corrected as shown below:

Replace Drawing Sheet 2 of 2 with the attached sheet.

Signed and Sealed this

Eighteenth Day of April, 2006

A handwritten signature in black ink on a light gray dotted background. The signature reads "Jon W. Dudas" in a cursive style.

JON W. DUDAS

Director of the United States Patent and Trademark Office

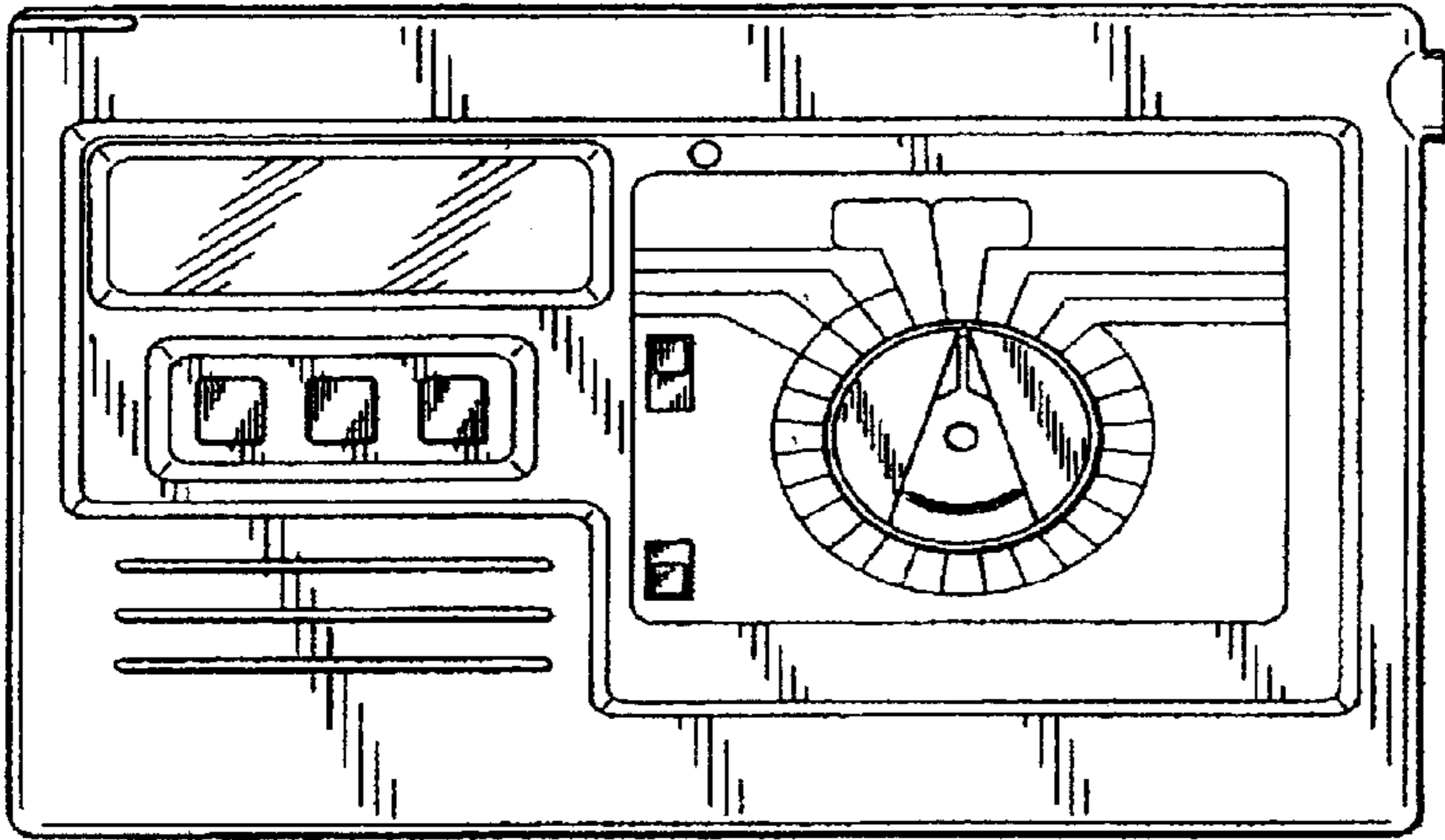


FIG. 2



FIG. 3



FIG. 4

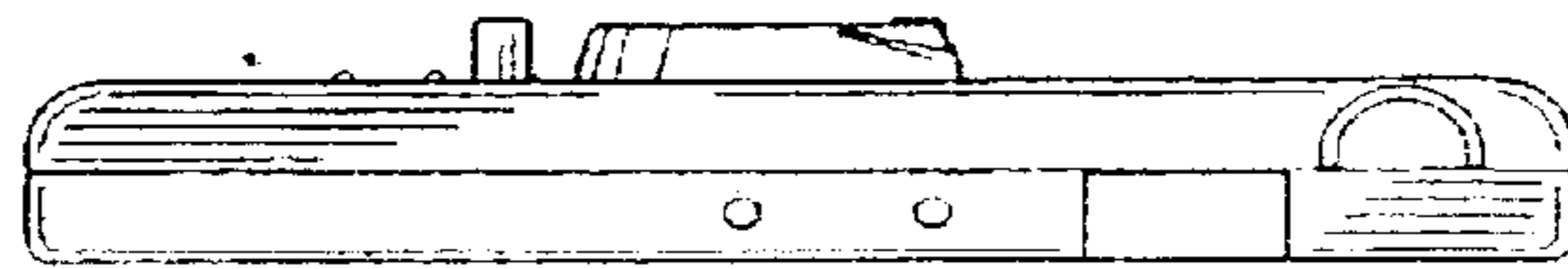


FIG. 5

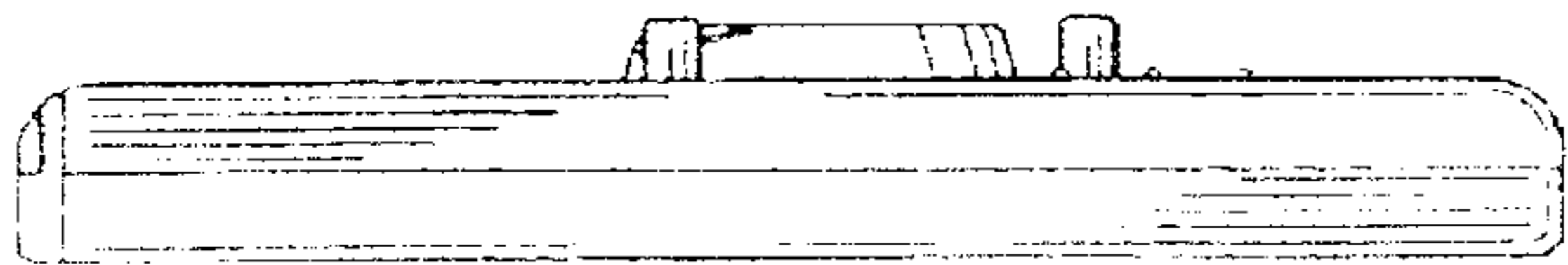


FIG. 6