

US00D492261S1

(12) **United States Design Patent**
Izaki et al.

(10) **Patent No.:** **US D492,261 S**
(45) **Date of Patent:** **** Jun. 29, 2004**

(54) **FUSE**

(75) Inventors: **Masatoshi Izaki**, Miyazaki (JP);
Takahiro Mukai, Miyazaki (JP);
Shinichi Ohtsuka, Miyazaki (JP);
Kenzo Isozaki, Miyazaki (JP)

(73) Assignee: **Matsushita Electric Industrial Co., Ltd.**, Osaka (JP)

(**) Term: **14 Years**

(21) Appl. No.: **29/171,786**

(22) Filed: **Nov. 27, 2002**

Related U.S. Application Data

(63) Continuation of application No. 09/909,504, filed on Jul. 20, 2001, now Pat. No. 6,556,122.

(30) **Foreign Application Priority Data**

Jun. 18, 2002 (JP) 2002-016310

(51) **LOC (7) Cl.** **13-03**

(52) **U.S. Cl.** **D13/161**

(58) **Field of Search** 613/160, 161,
613/178; 200/275, 10.1, 10.8; 337/186,
198, 227, 228, 231, 234, 241; 439/607,
621

(56) **References Cited**

U.S. PATENT DOCUMENTS

3,829,808 A * 8/1974 Blewitt et al. 337/186
4,494,104 A 1/1985 Holmes
5,097,247 A 3/1992 Doerrwaechter
D325,193 S * 4/1992 Kudo D13/161
5,426,411 A * 6/1995 Pimpis et al. 337/186
5,905,426 A * 5/1999 Douglass 337/229
5,939,969 A 8/1999 Doerrwaechter et al.
D419,532 S * 1/2000 Hibayashi D13/161
6,067,004 A * 5/2000 Hibayashi et al. 337/227
6,248,965 B1 * 6/2001 Thomas 200/240
6,373,370 B1 * 4/2002 Darr et al. 337/243
6,373,371 B1 4/2002 Doerrwaechter et al.
6,448,882 B1 * 9/2002 Inaba et al. 337/227

FOREIGN PATENT DOCUMENTS

GB 2205455 12/1988
JP 02-100221 4/1990
JP 04-73835 3/1992
JP 04-129123 4/1992
JP D1039766 5/1999
JP D1039766/1 5/1999
JP D1039766/2 5/1999
JP D1039766/3 5/1999
JP D1041782 6/1999
JP D1057596 1/2000
JP D1058484 1/2000
JP D1058485 1/2000
JP D1058484/1 3/2000
JP D1058484/2 3/2000
JP D1058485/1 3/2000
JP D1058485/2 3/2000
JP D1097986 1/2001
JP D1129089 12/2001
JP D1129574 12/2001

* cited by examiner

Primary Examiner—Philip S. Hyder

Assistant Examiner—Selina Sikder

(74) *Attorney, Agent, or Firm*—Brinks Hofer Gilson & Lione

(57) **CLAIM**

The ornamental design for a fuse, as shown and described.

DESCRIPTION

FIG. 1 is a front perspective view of a fuse of the present invention;

FIG. 2 is a first side view thereof;

FIG. 3 is a second side view thereof;

FIG. 4 is a first end view thereof;

FIG. 5 is a second end view thereof;

FIG. 6 is a top view thereof; and,

FIG. 7 is a bottom view thereof.

The ornamental design which is claimed is shown in solid lines in the drawings. Any broken lines in the drawings are for illustrative purposes only and form no part of the claimed design.

1 Claim, 2 Drawing Sheets

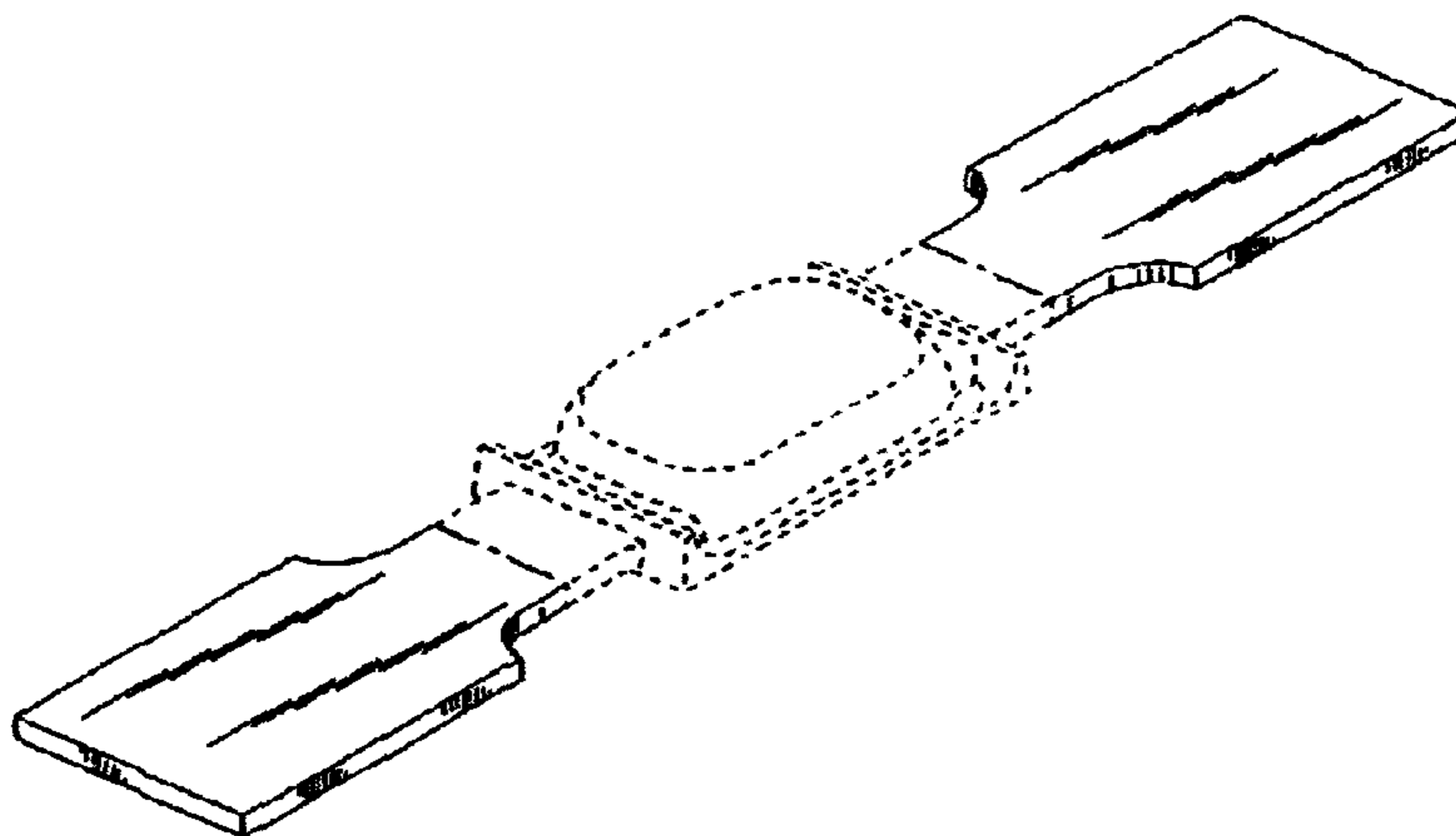


FIG 1

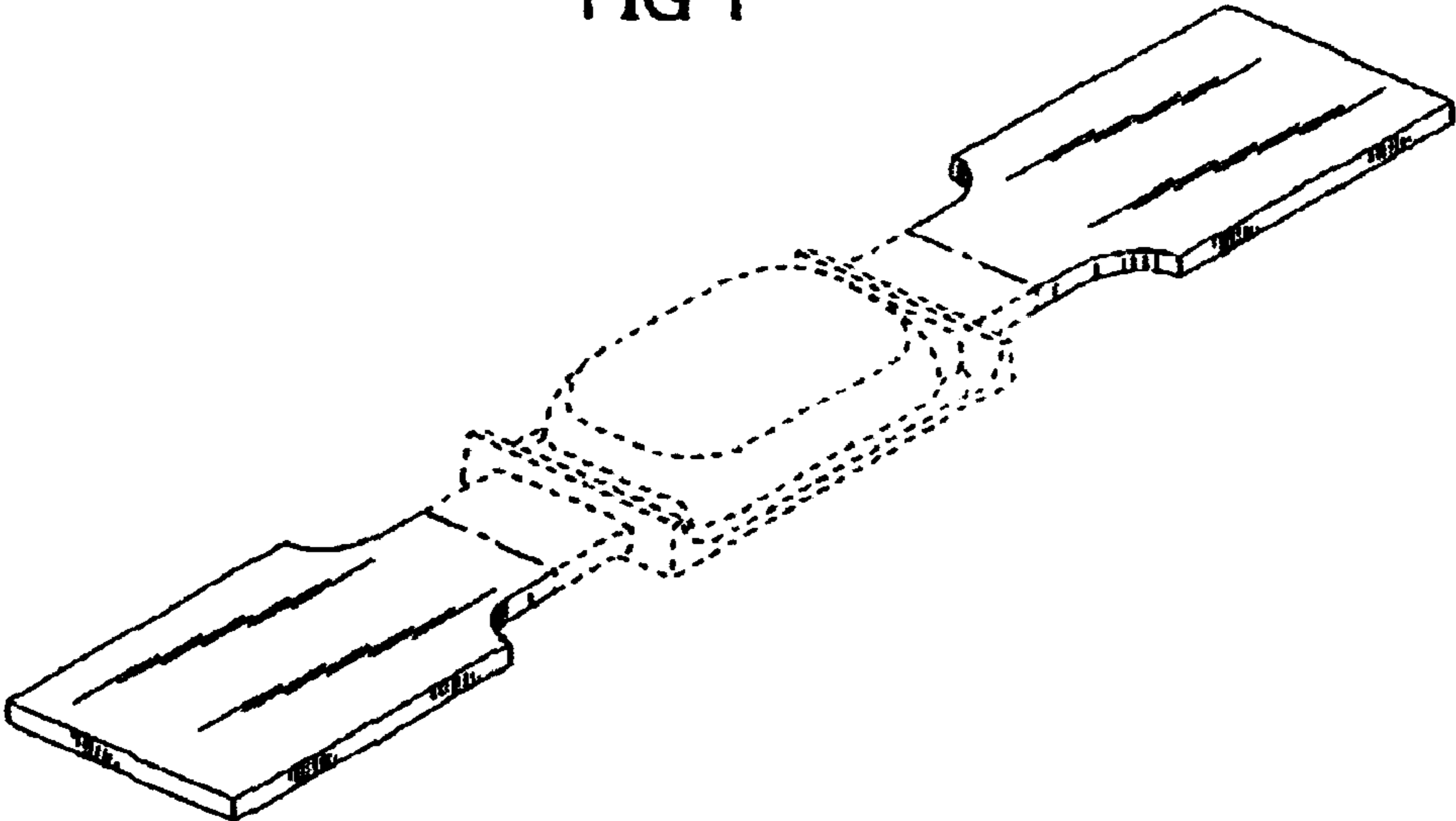


FIG 2



FIG 3



FIG 4

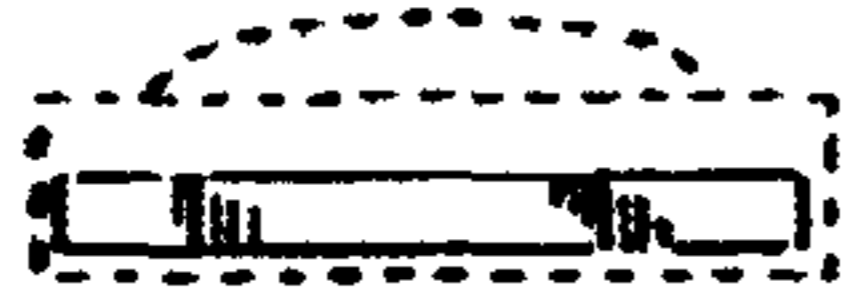


FIG 5

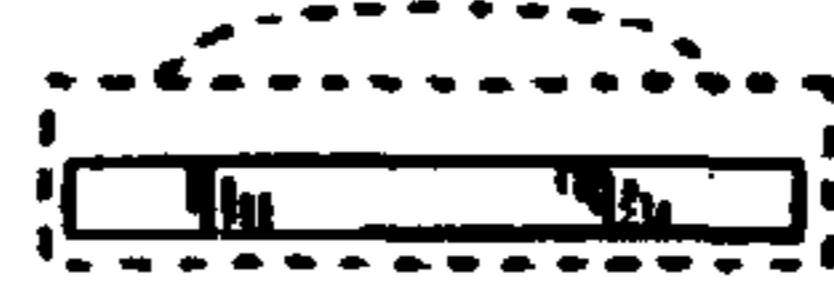


FIG 6

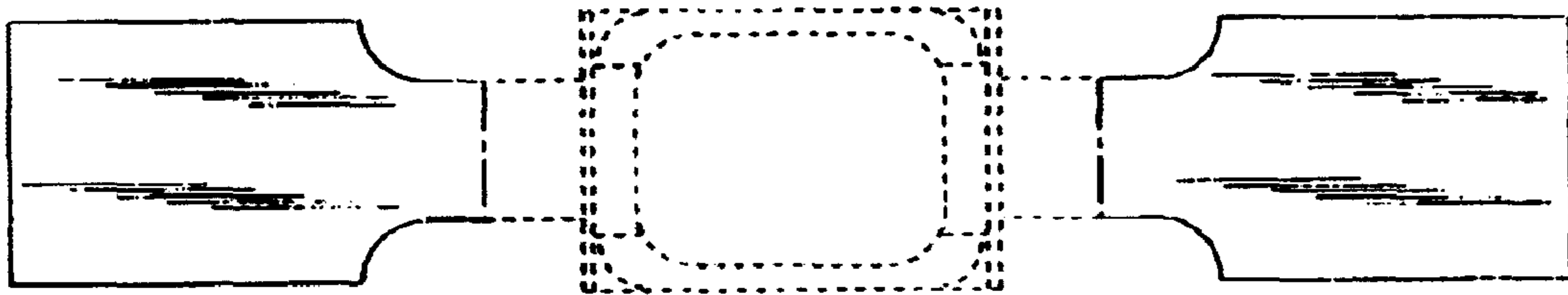


FIG 7

