



US00D492260S1

(12) **United States Design Patent**
Spink, Jr.

(10) **Patent No.:** **US D492,260 S**
(45) **Date of Patent:** **** Jun. 29, 2004**

(54) **ELECTRICAL CONNECTOR**

RE37,296 E * 7/2001 Peterson 439/677
D471,868 S * 3/2003 Lee D13/147

(75) Inventor: **William E. Spink, Jr.**, Laguna Niguel,
CA (US)

* cited by examiner

(73) Assignee: **Hon Hai Precision Ind. Co., Ltd.**,
Taipei Hsien (TW)

Primary Examiner—Philip S. Hyder
Assistant Examiner—Selina Sikder
(74) *Attorney, Agent, or Firm*—Wei Te Chung

(**) Term: **14 Years**

(57) **CLAIM**

(21) Appl. No.: **29/190,326**

The ornamental design for an electrical connector, as shown.

(22) Filed: **Sep. 17, 2003**

DESCRIPTION

(51) **LOC (7) Cl.** **13-03**

(52) **U.S. Cl.** **D13/147**

(58) **Field of Search** D13/146, 147;
439/438, 581, 607, 677, 679, 680

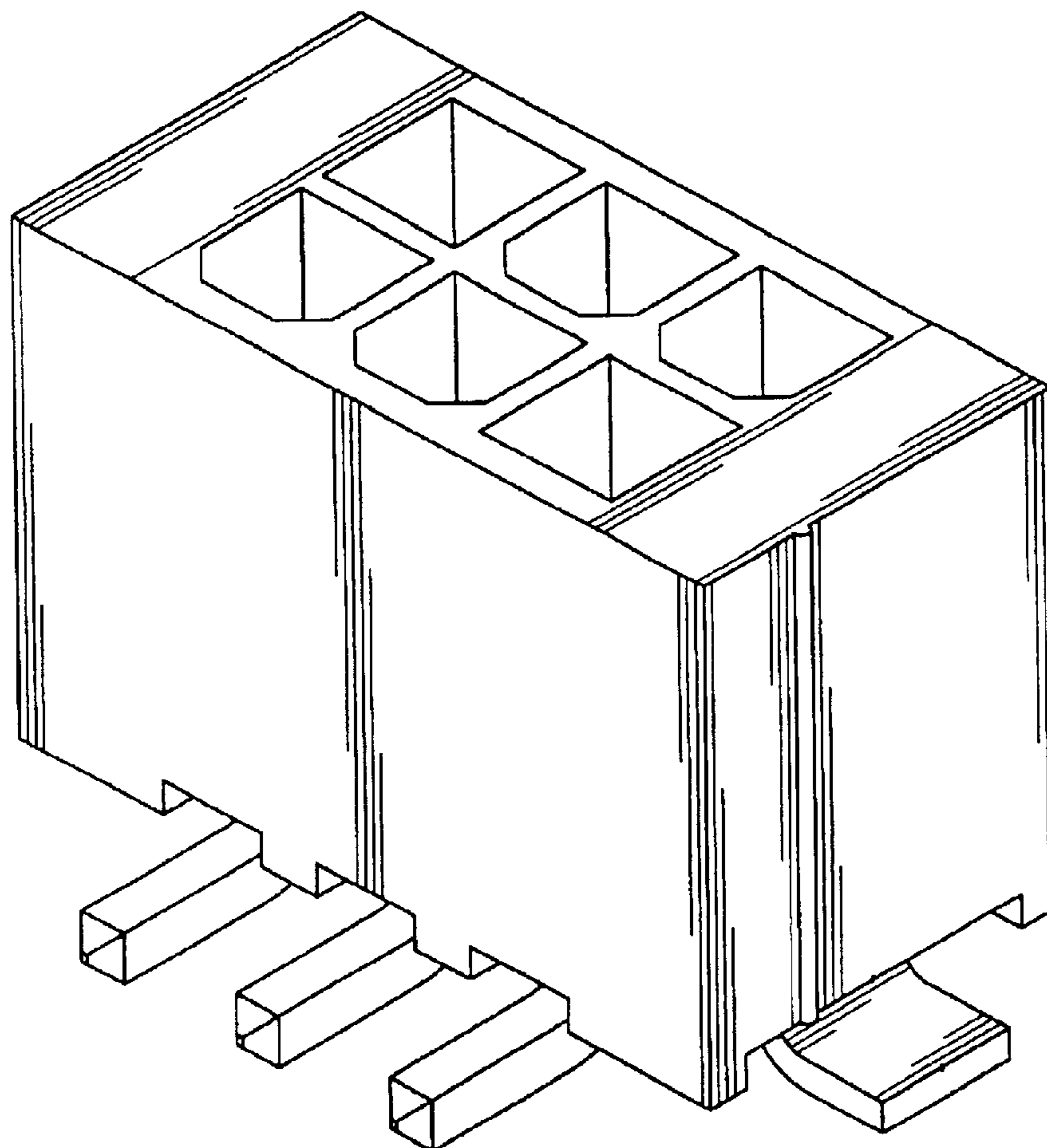
FIG. 1 is a front, top and right side perspective view of an electrical connector showing my new design; FIG. 2 is a front elevational view thereof; FIG. 3 is a rear elevational view thereof; FIG. 4 is a left side elevational view thereof; FIG. 5 is a right side elevational view thereof; FIG. 6 is a top plan view thereof; and, FIG. 7 is a bottom plan view thereof.

(56) **References Cited**

U.S. PATENT DOCUMENTS

D316,704 S * 5/1991 Eto et al. D13/147
D434,385 S * 11/2000 Ko et al. D13/147

1 Claim, 7 Drawing Sheets



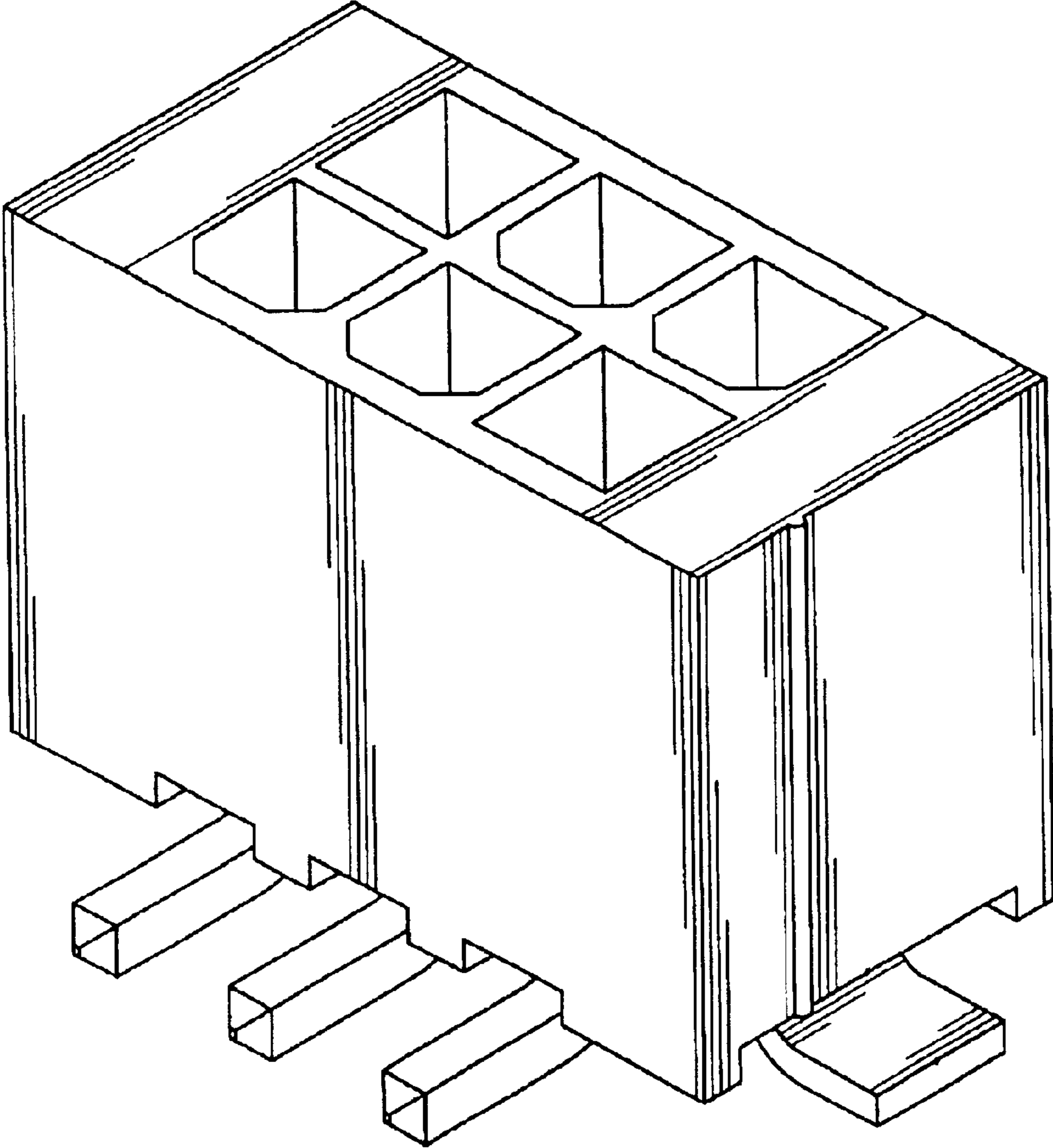


FIG. 1

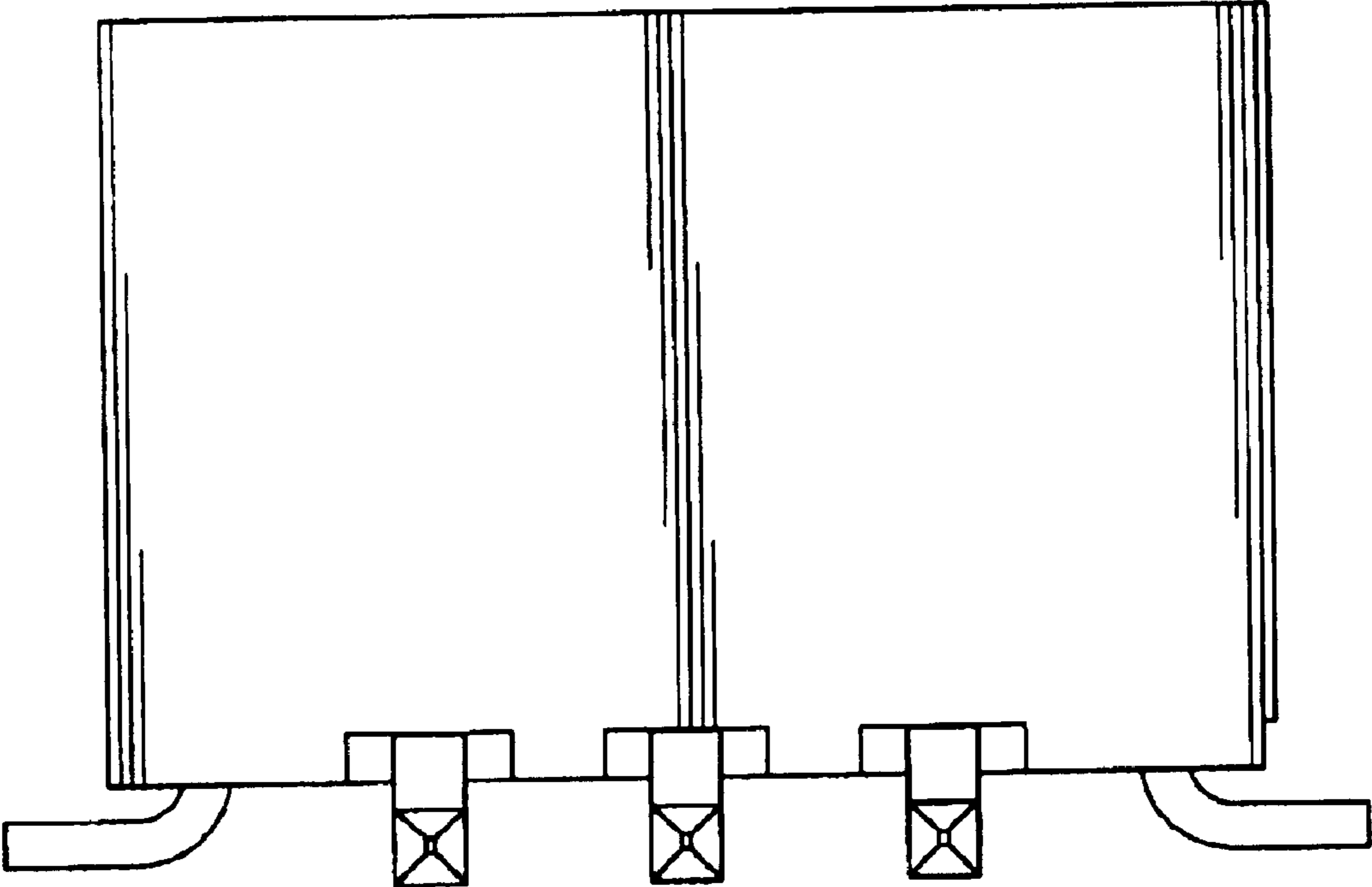


FIG. 2

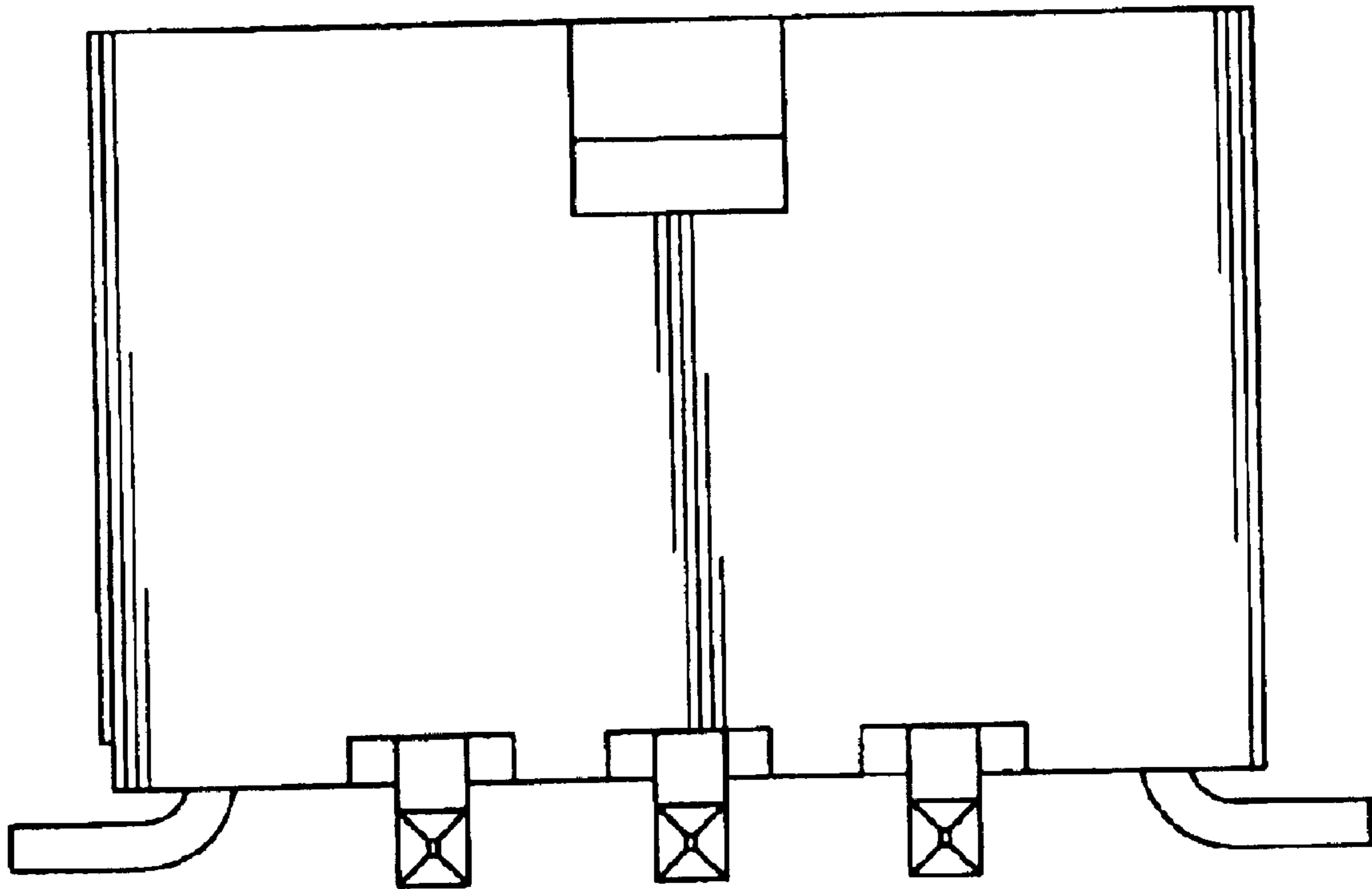


FIG. 3

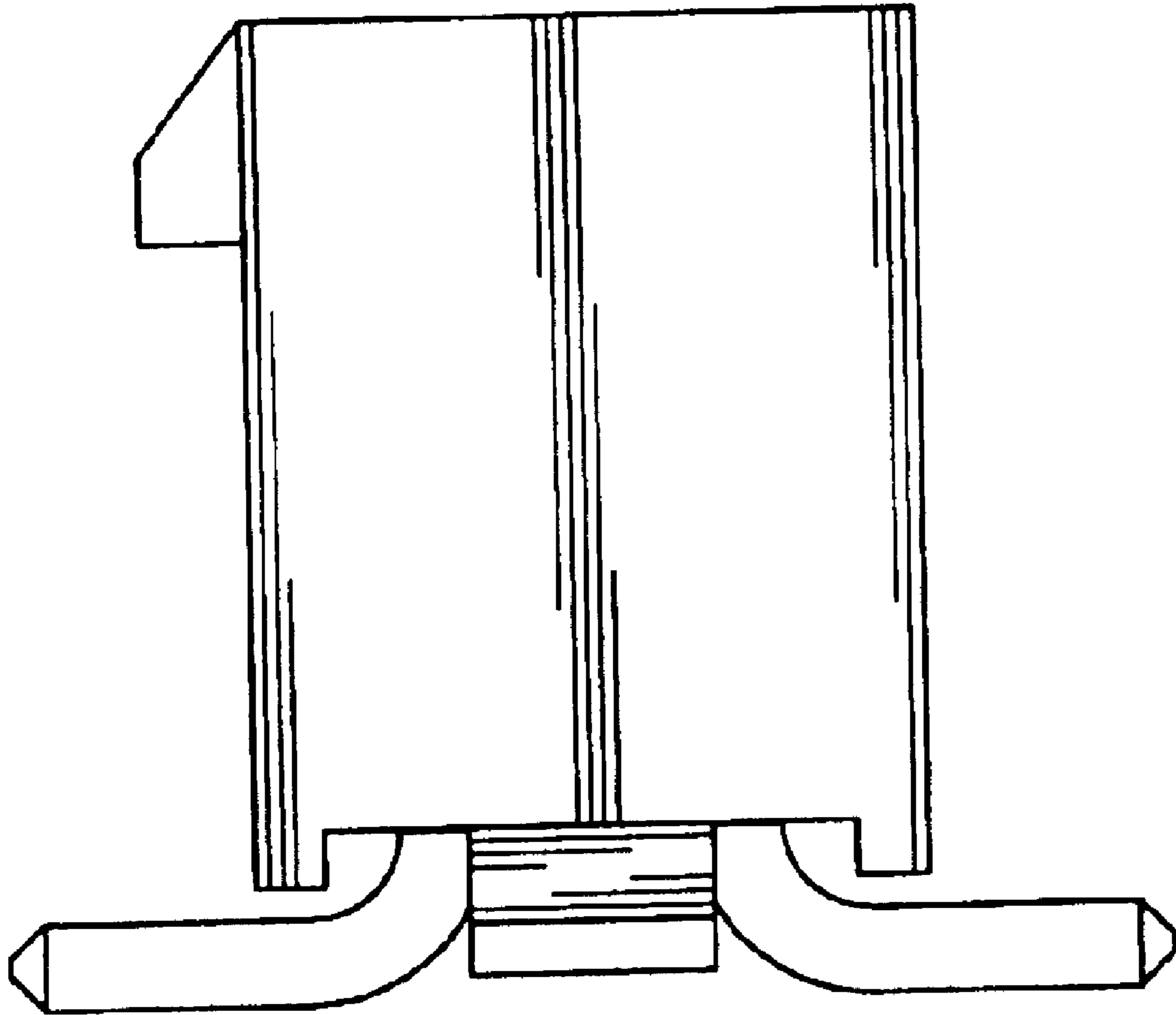


FIG. 4

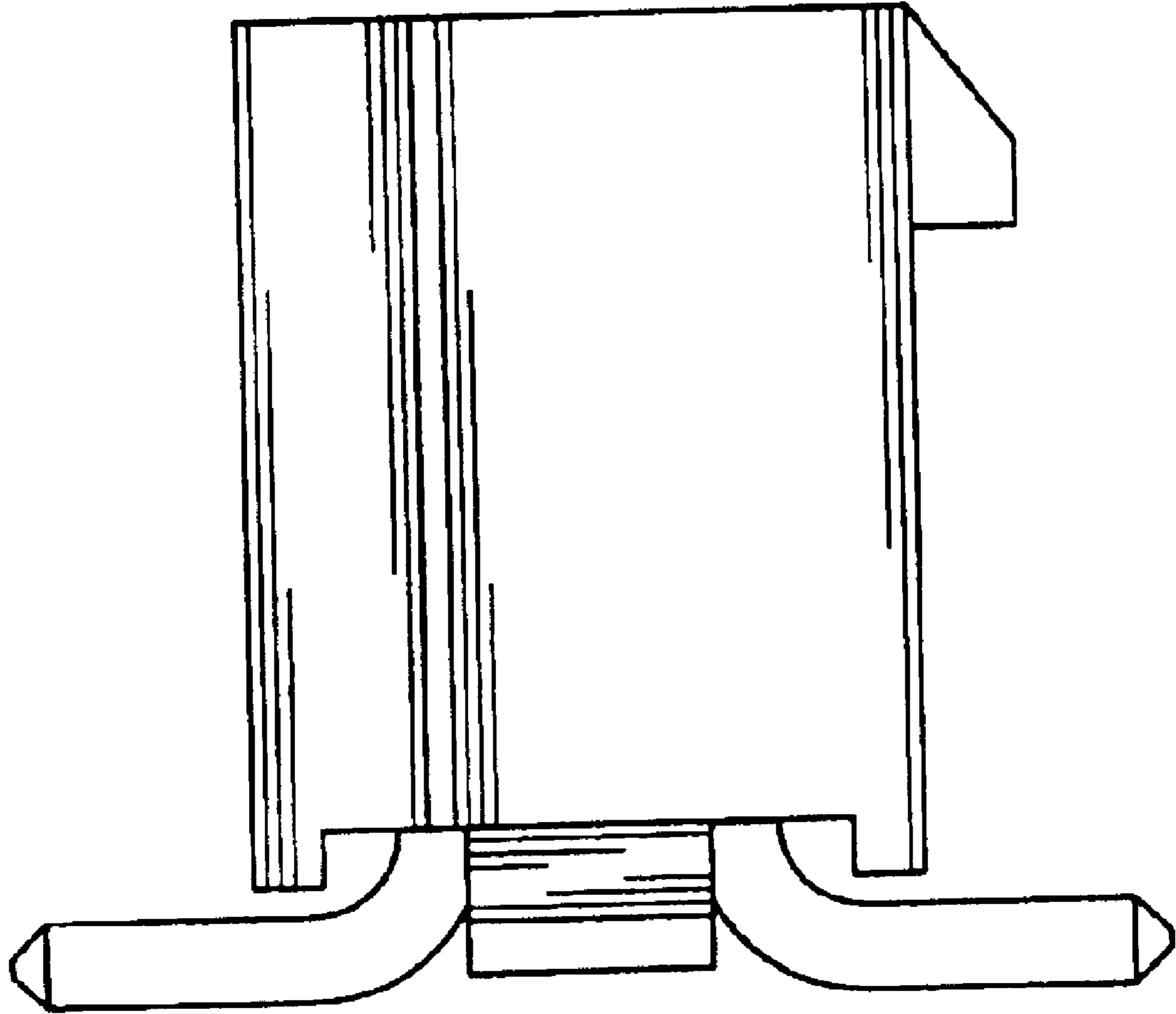


FIG. 5

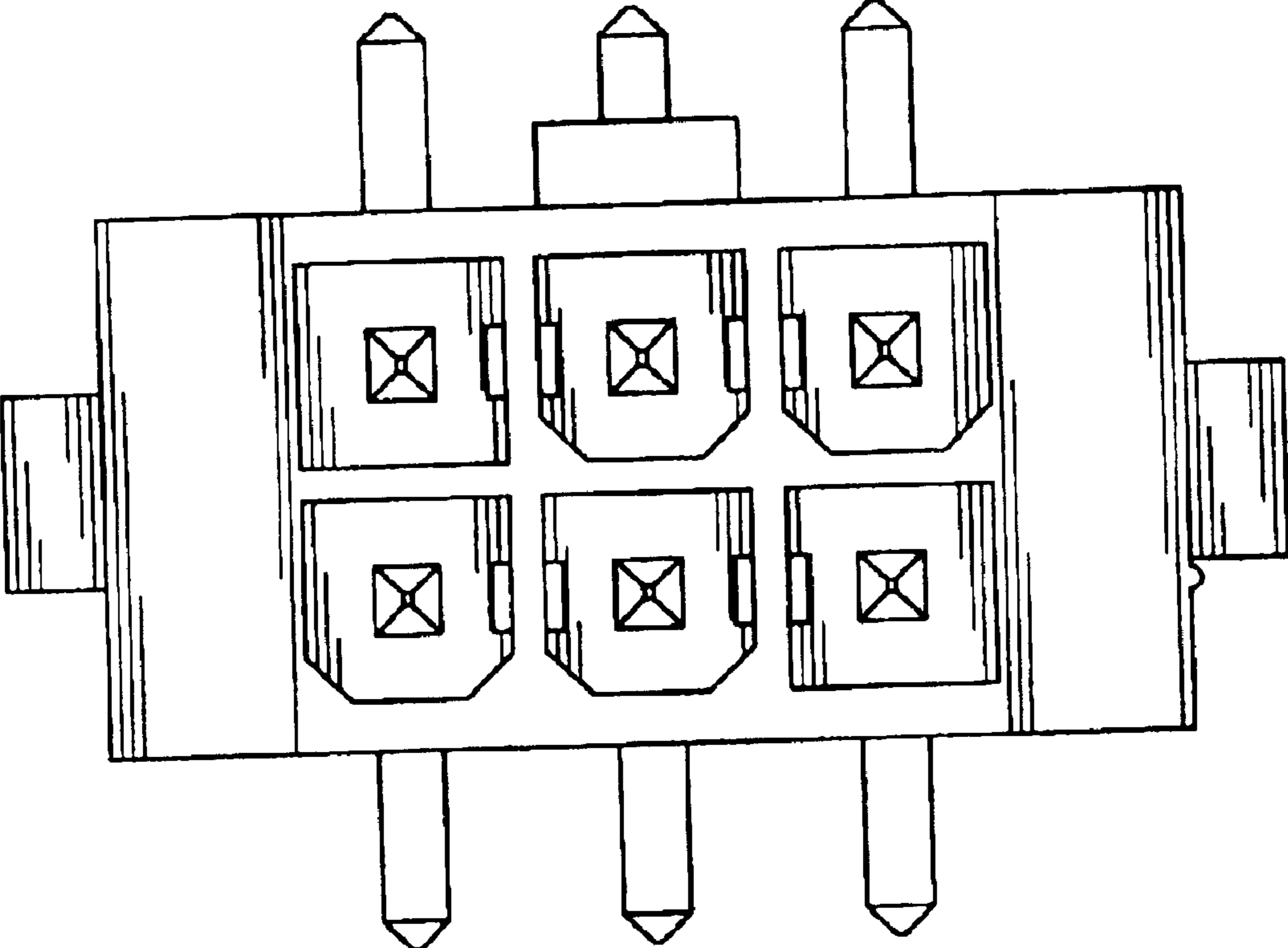


FIG. 6

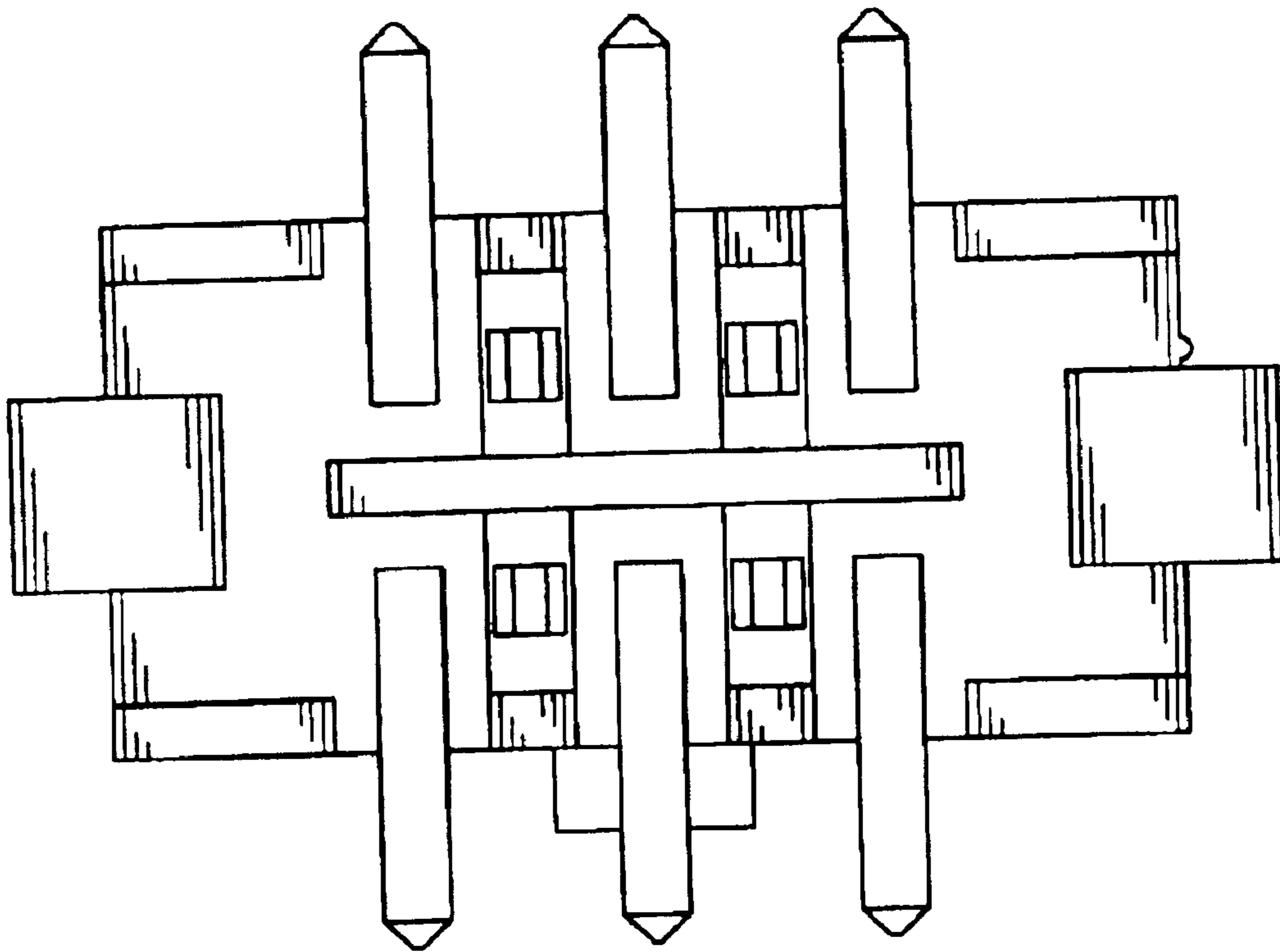


FIG. 7