

US00D492259S1

(12) **United States Design Patent**
Shi

(10) **Patent No.:** **US D492,259 S**
(45) **Date of Patent:** **** Jun. 29, 2004**

(54) **HOUSING OF ELECTRICAL CONNECTOR**

(75) **Inventor:** **Xian Kui Shi, Shenzhen (CN)**

(73) **Assignee:** **Hon Hai Precision Ind. Co., LTD,**
Taipei Hsien (TW)

(**) **Term:** **14 Years**

(21) **Appl. No.:** **29/185,422**

(22) **Filed:** **Jun. 25, 2003**

(30) **Foreign Application Priority Data**

Mar. 19, 2003 (CN) 03306226

(51) **LOC (7) Cl.** **13-03**

(52) **U.S. Cl.** **D13/147**

(58) **Field of Search** D13/146, 147;
439/153, 155, 157, 160, 181, 310, 354,
372, 594, 595, 592, 677, 680, 752

(56) **References Cited**

U.S. PATENT DOCUMENTS

5,320,555 A * 6/1994 Okabe 439/354
5,595,509 A * 1/1997 Fry et al. 439/752
5,904,583 A * 5/1999 Katsuma et al. 439/157

D410,629 S * 6/1999 Bandura et al. D13/147
6,022,246 A * 2/2000 Ko 439/680
RE37,296 E * 7/2001 Peterson 439/677
6,350,159 B1 * 2/2002 Wu 439/680
6,666,698 B2 * 12/2003 Beck et al. 439/181

* cited by examiner

Primary Examiner—Philip S. Hyder

Assistant Examiner—Selina Sikder

(74) *Attorney, Agent, or Firm*—Wei Te Chung

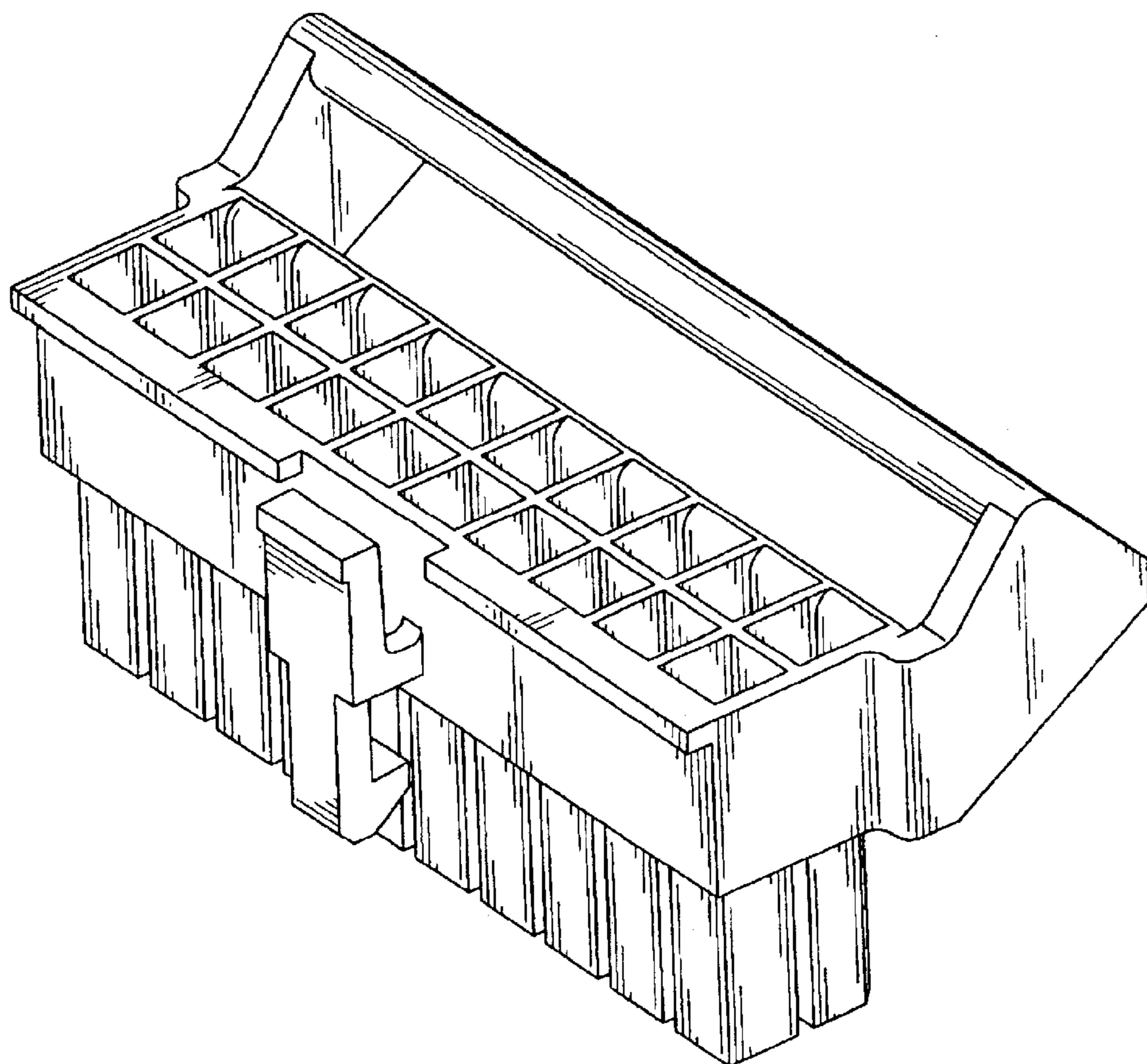
(57) **CLAIM**

The ornamental design for a “housing of electrical connector”, as shown.

DESCRIPTION

FIG. 1 is a front, top and right side perspective view of a housing of electrical connector showing my new design; FIG. 2 is a front elevational view thereof; FIG. 3 is a rear elevational view thereof; FIG. 4 is a left side elevational view thereof; FIG. 5 is a right side elevational view thereof; FIG. 6 is a top plan view thereof; and, FIG. 7 is a bottom plan view thereof.

1 Claim, 6 Drawing Sheets



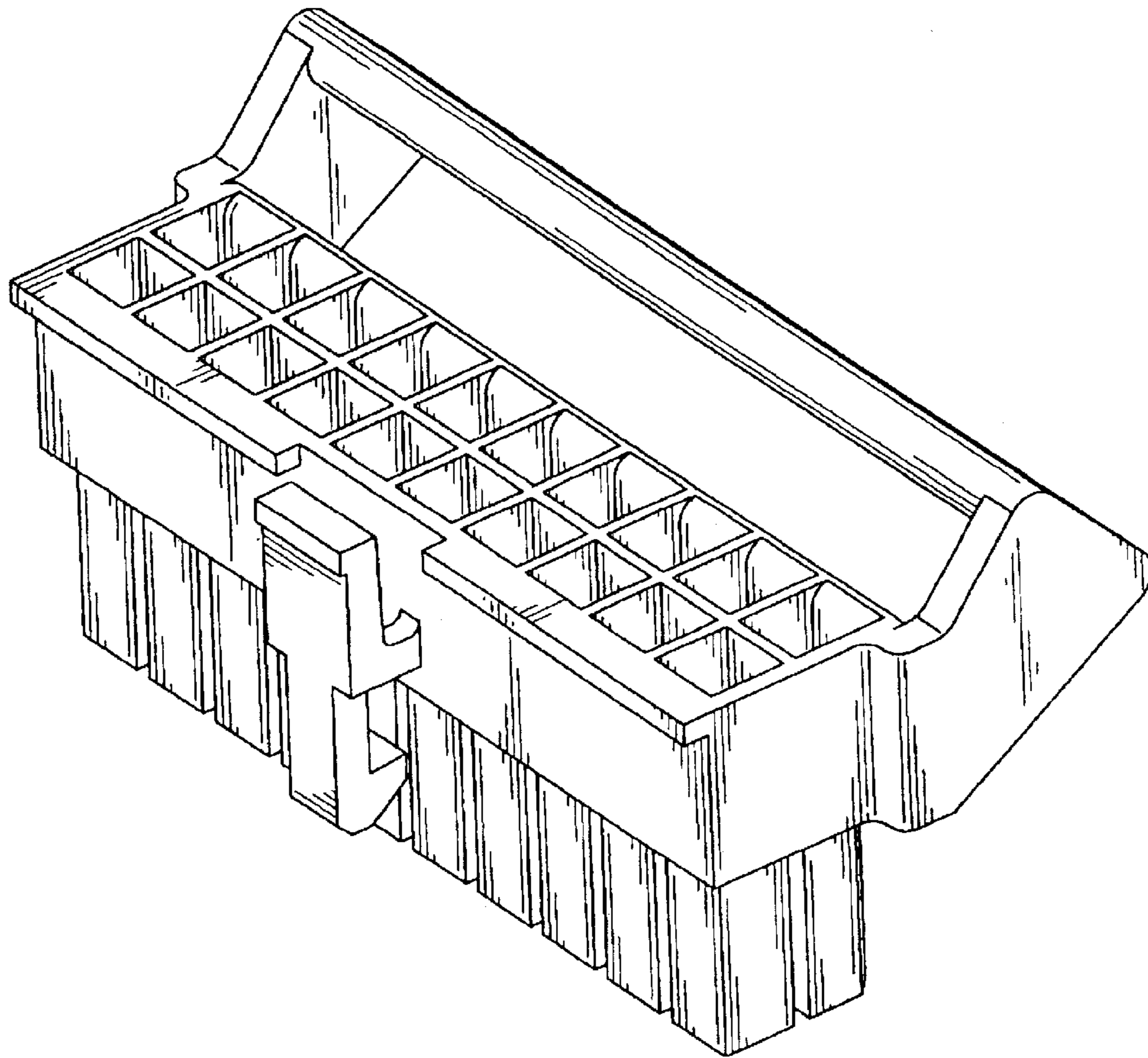


FIG. 1

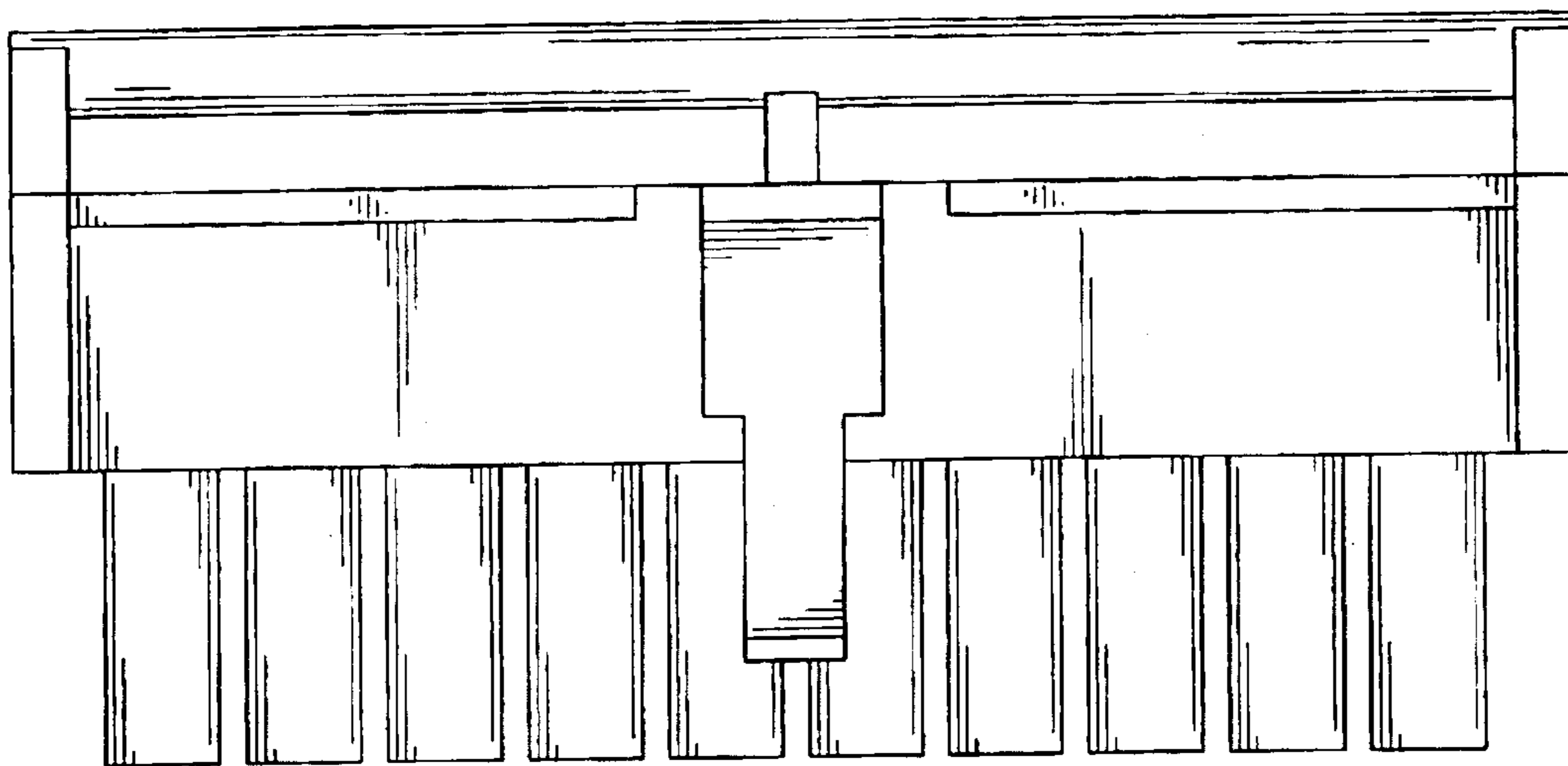


FIG. 2

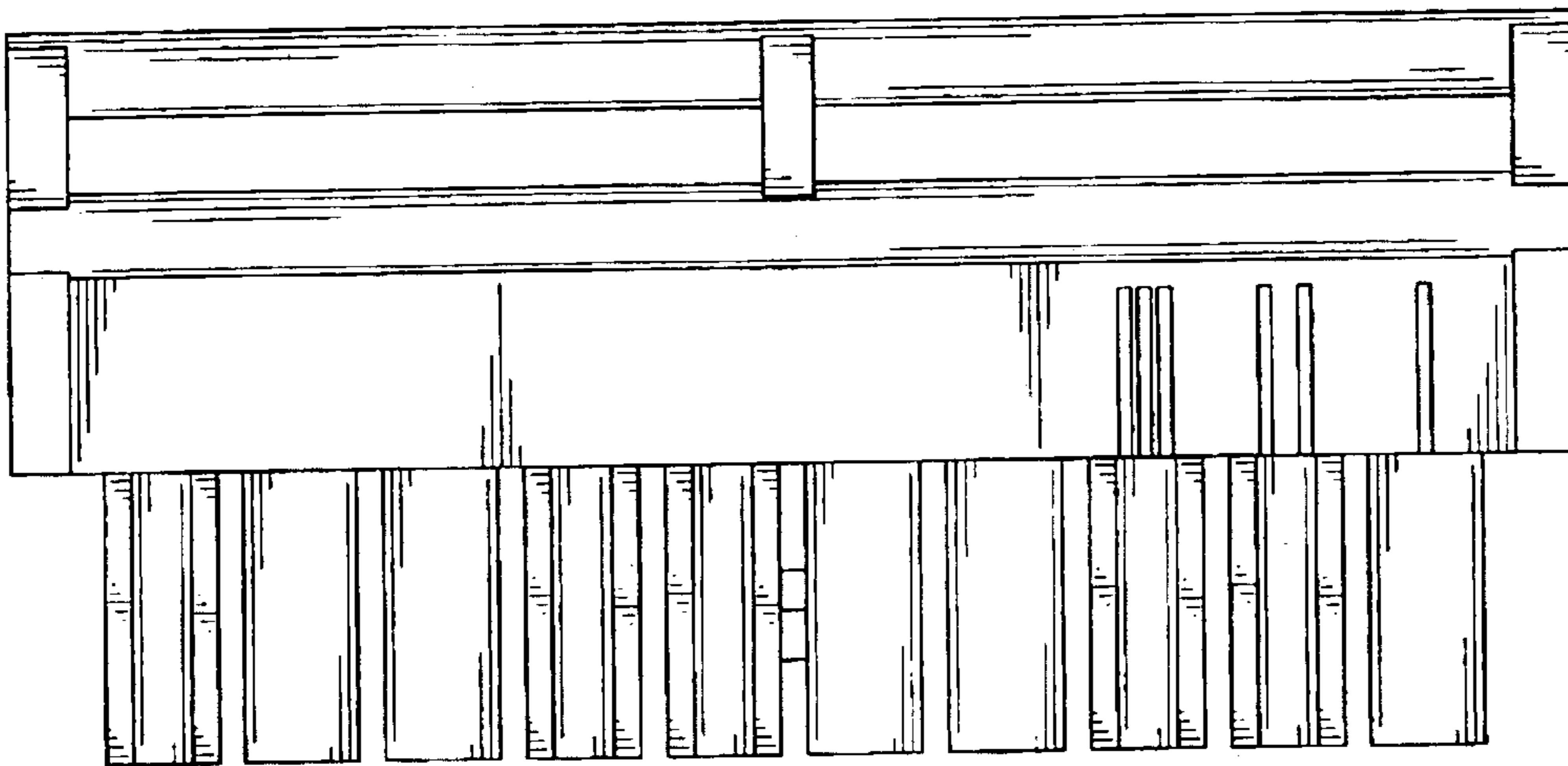


FIG. 3

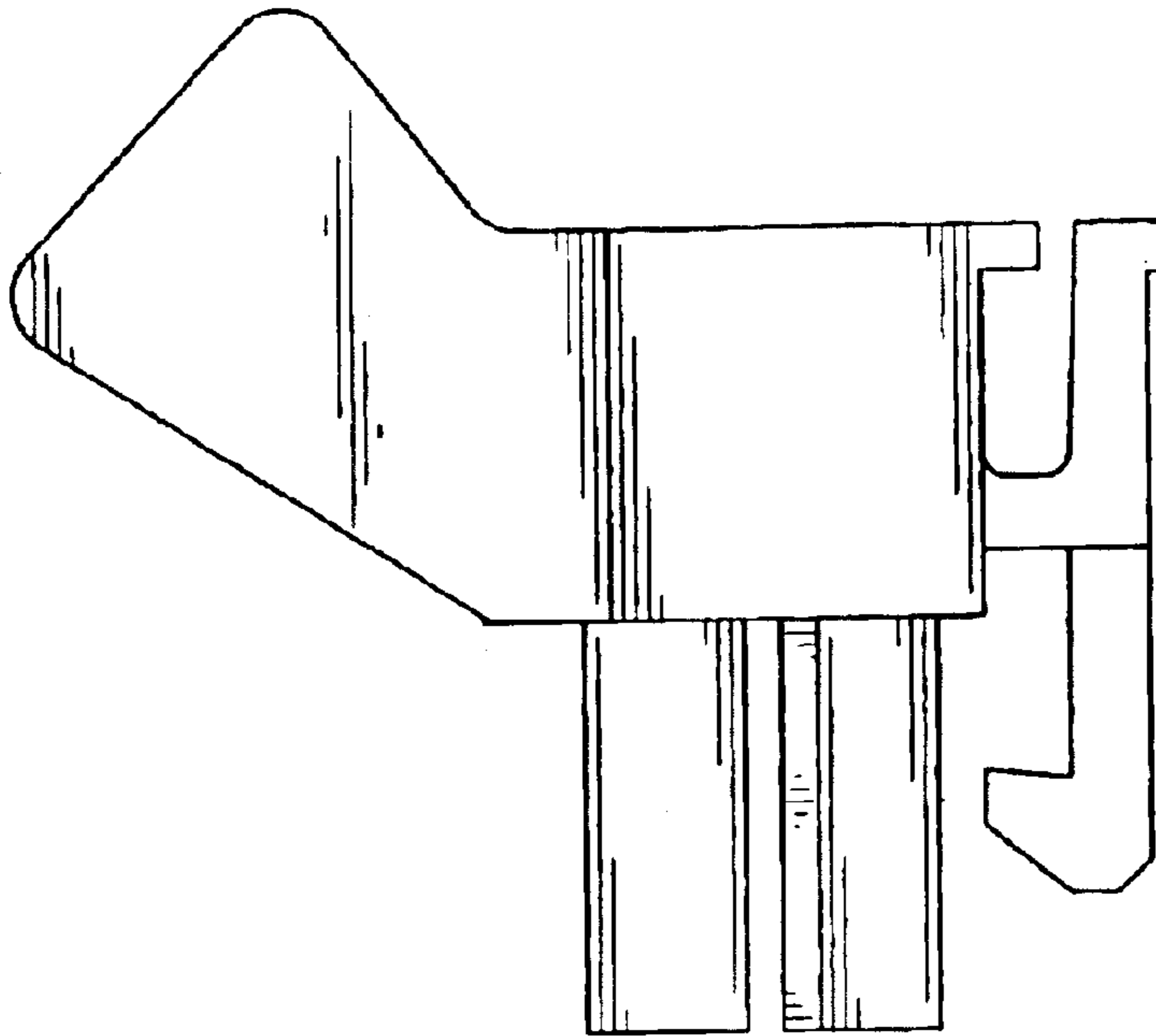


FIG. 4

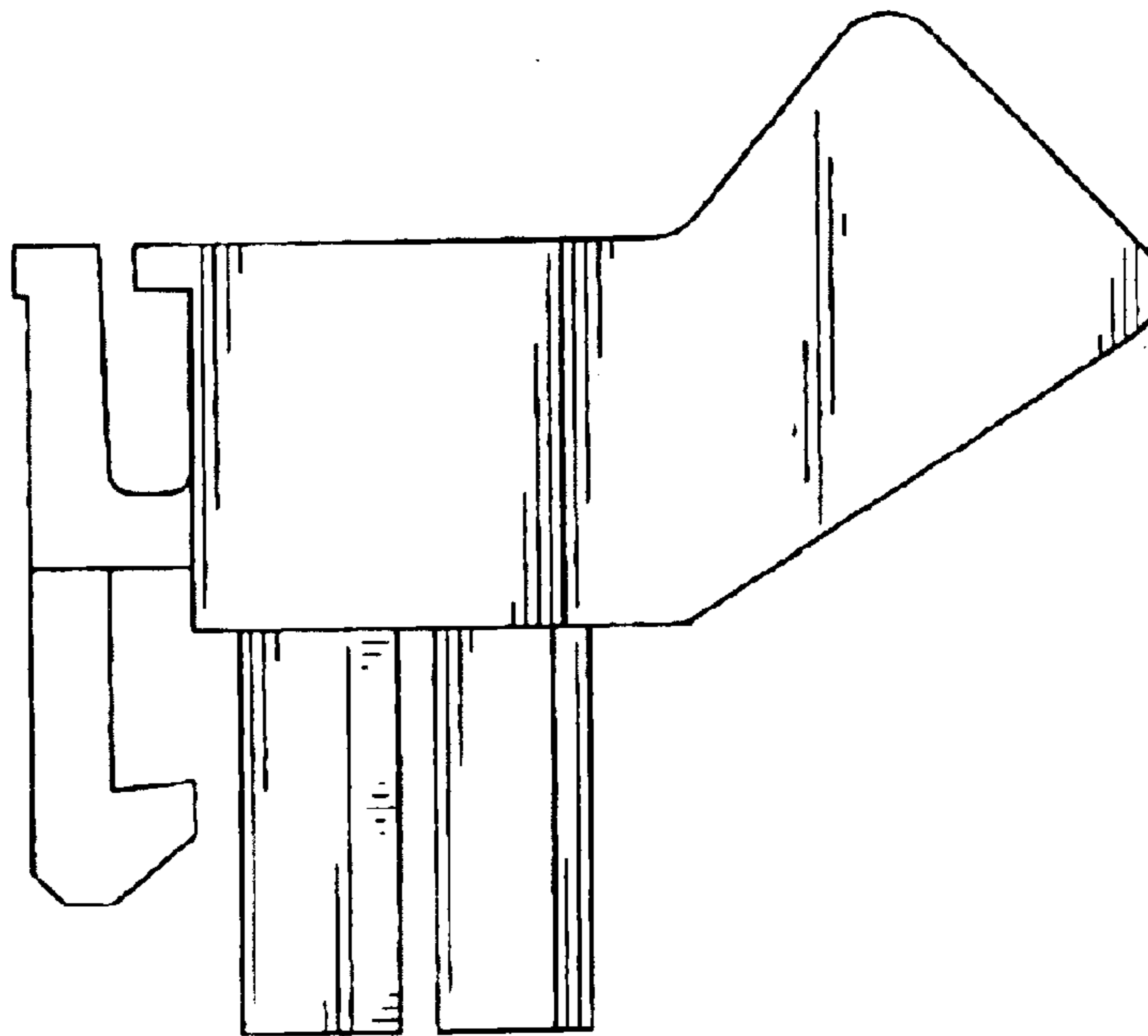


FIG. 5

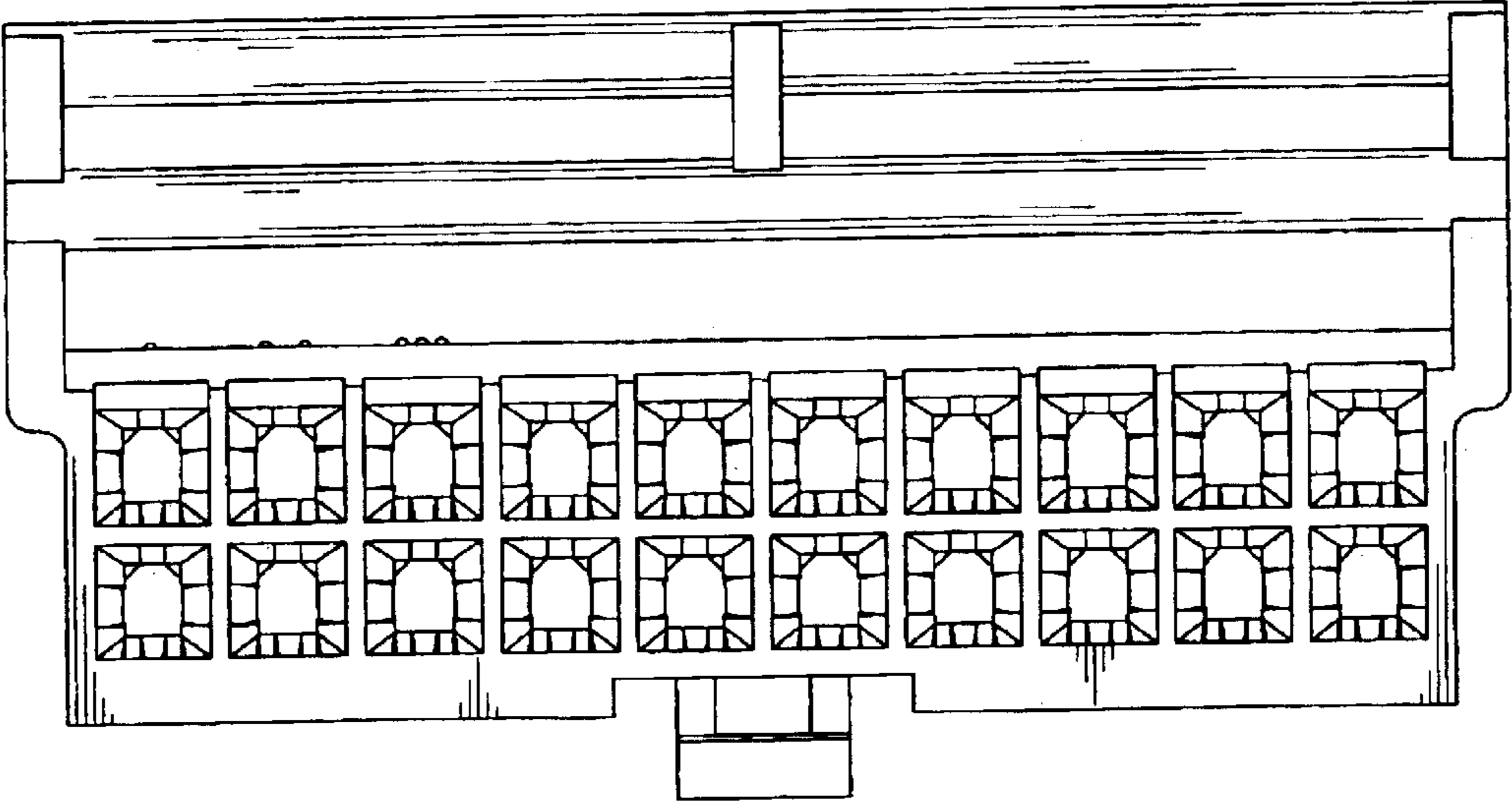


FIG. 6

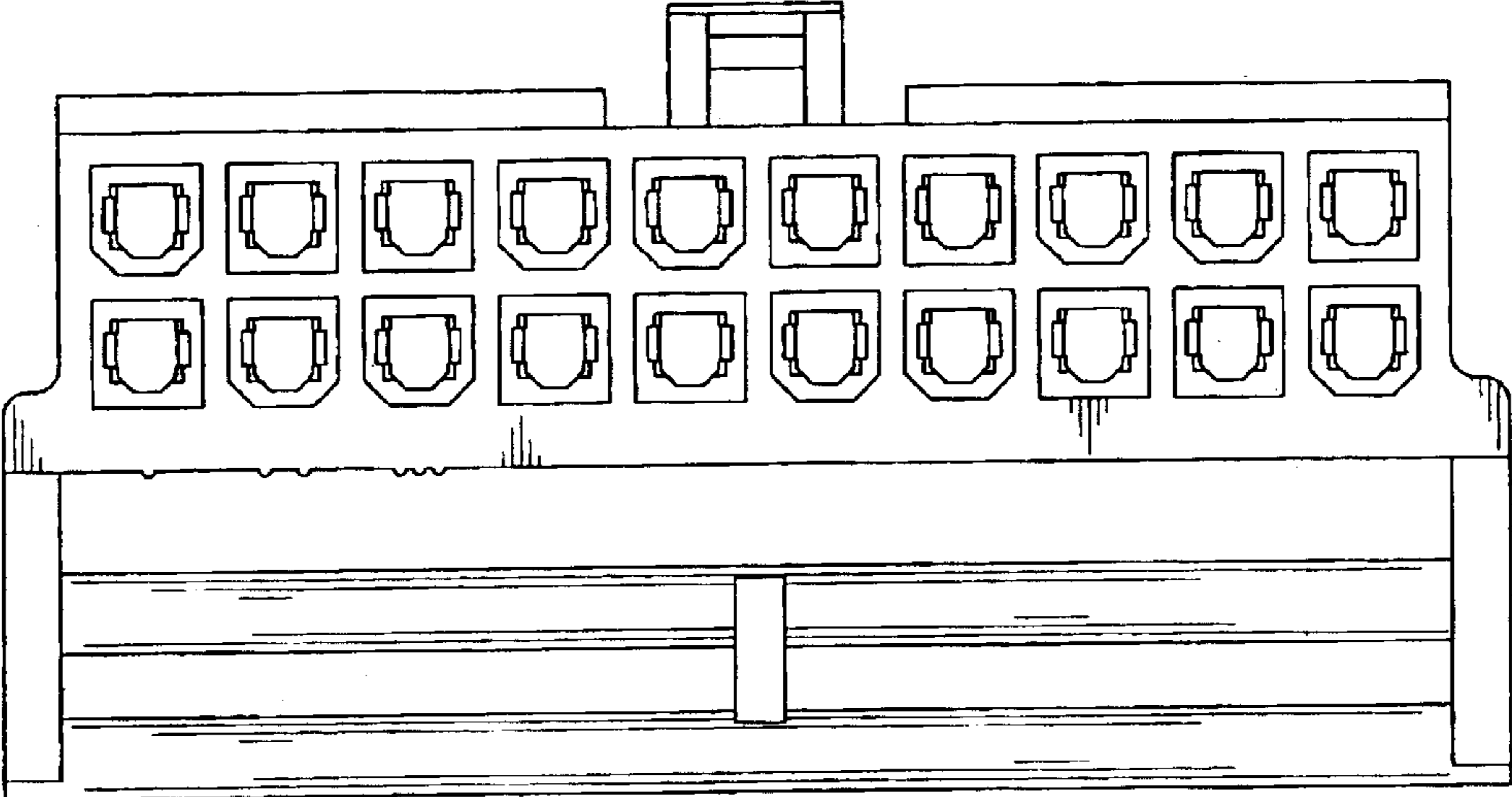


FIG. 7