

US00D492256S1

(12) **United States Design Patent**
Wu

(10) **Patent No.: US D492,256 S**
(45) **Date of Patent: ** Jun. 29, 2004**

- (54) **ELECTRICAL CONNECTOR**
- (75) Inventor: **Jerry Wu**, Irvine, CA (US)
- (73) Assignee: **Hon Hai Precision Ind. Co., Ltd.**,
Taipei Hsien (TW)
- (**) Term: **14 Years**
- (21) Appl. No.: **29/165,403**
- (22) Filed: **Aug. 8, 2002**
- (51) **LOC (7) Cl. 13-03**
- (52) **U.S. Cl. D13/147**
- (58) **Field of Search D13/133, 146,**
D13/147; D14/256; 361/727, 730, 737,
752, 816, 827; 379/433.07, 433.09; 439/62,
79, 83, 282, 350, 353, 355, 357, 595, 600,
607, 655, 682, 76.1, 188, 326, 630; 455/343.1,
573, 406, 411, 575, 575.1

- D416,865 S * 11/1999 Chiou D13/147
- 6,062,892 A * 5/2000 Meng et al. 439/357
- D435,244 S * 12/2000 Lok D13/147
- D452,479 S * 12/2001 Hiramoto et al. D13/147
- D455,400 S * 4/2002 Hisatomi et al. D13/147

* cited by examiner

Primary Examiner—Philip S. Hyder
Assistant Examiner—Selina Sikder
(74) *Attorney, Agent, or Firm*—Wei Te Chung

(57) **CLAIM**

The ornamental design for an electrical connector, as shown.

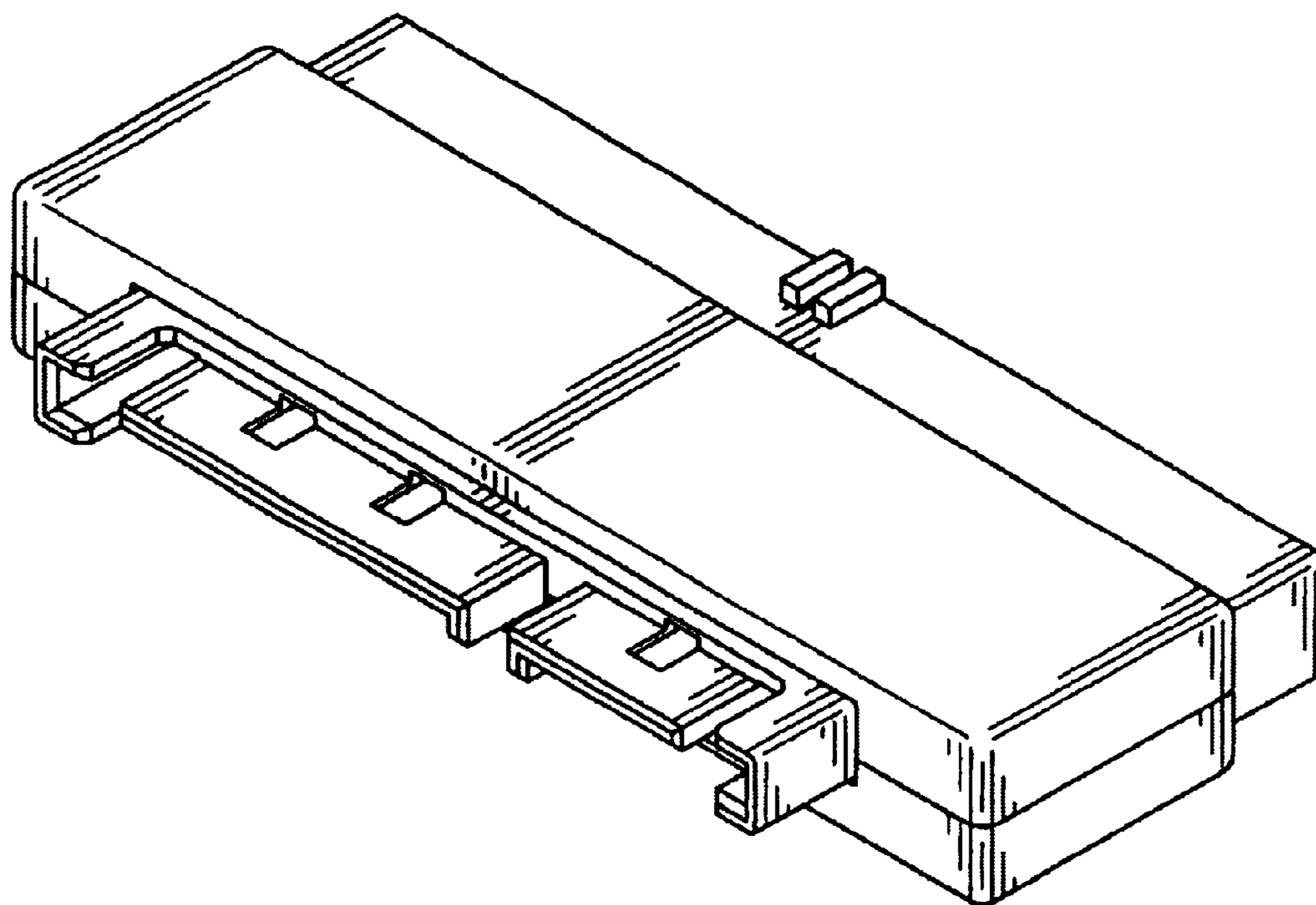
DESCRIPTION

FIG. 1 is a front, top and right side perspective view of an electrical connector showing my new design; FIG. 2 is a front elevational view thereof; FIG. 3 is a rear elevational view thereof; FIG. 4 is a left side elevational view thereof; FIG. 5 is a right side elevational view thereof; FIG. 6 is a top plan view thereof; and, FIG. 7 is a bottom plan view thereof.

(56) **References Cited**
U.S. PATENT DOCUMENTS

- 5,240,420 A * 8/1993 Roberts 439/62
- 5,967,831 A * 10/1999 Yamada et al. 439/496

1 Claim, 4 Drawing Sheets



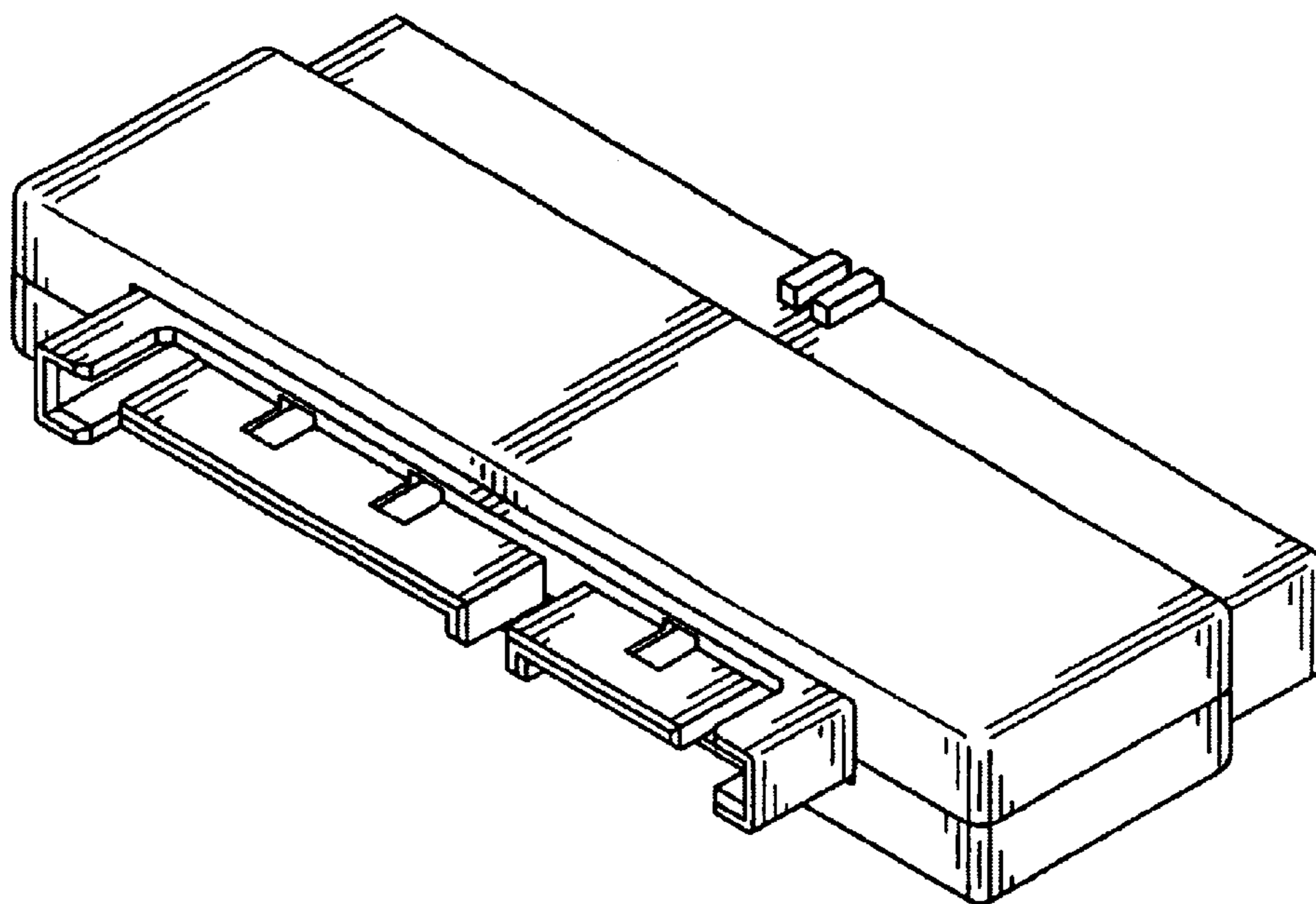


FIG. 1

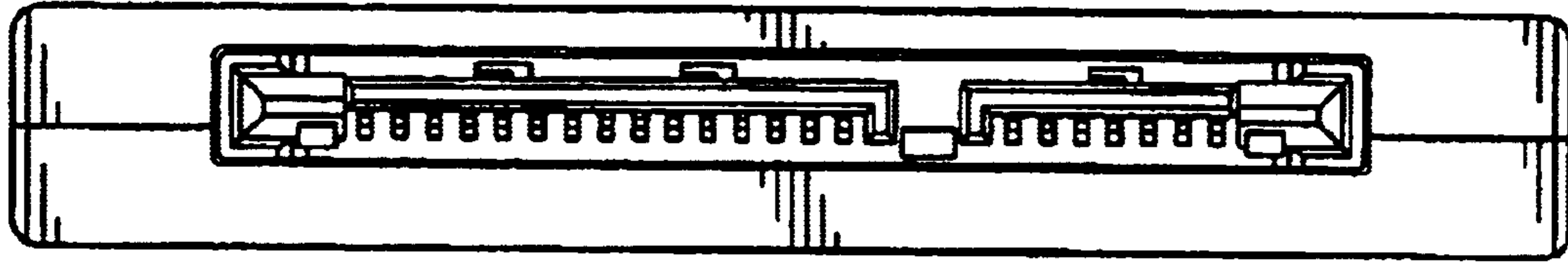


FIG. 2

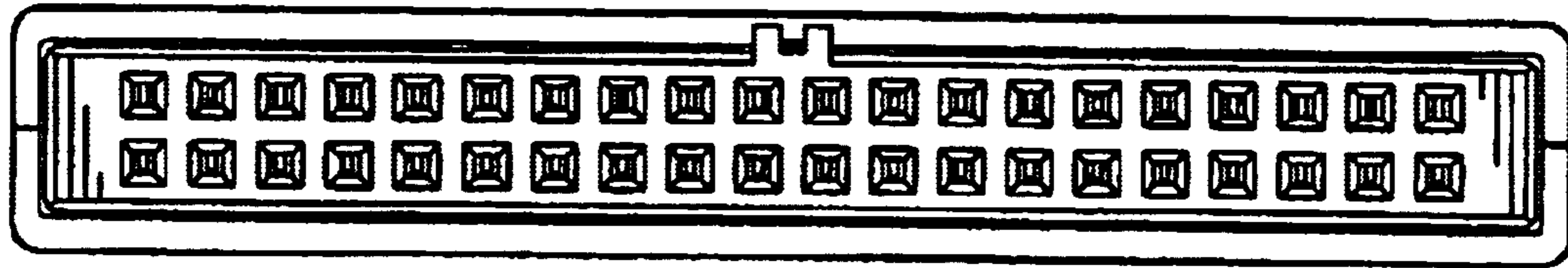


FIG. 3

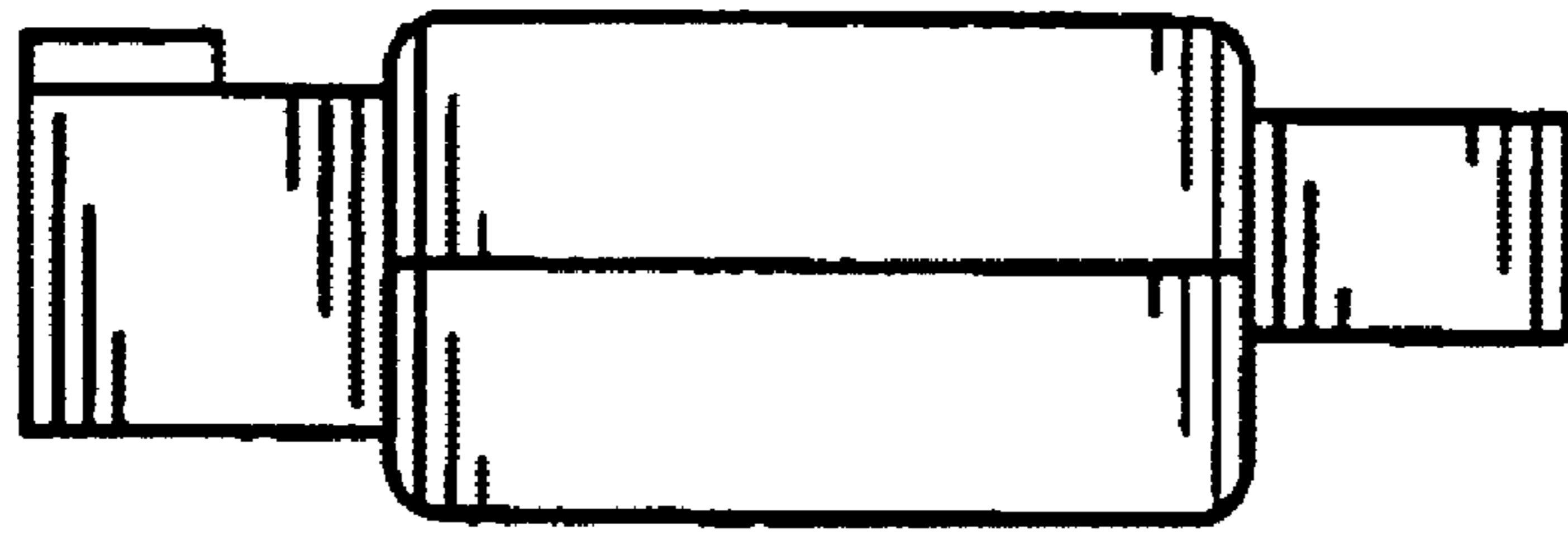


FIG. 4

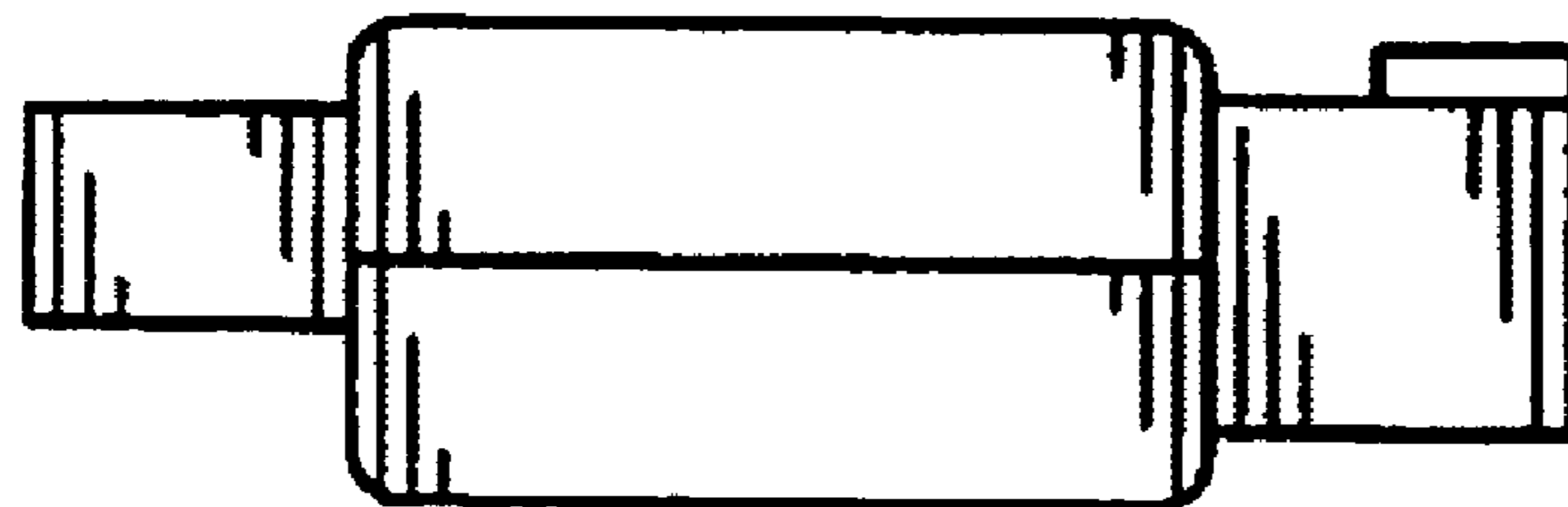


FIG. 5

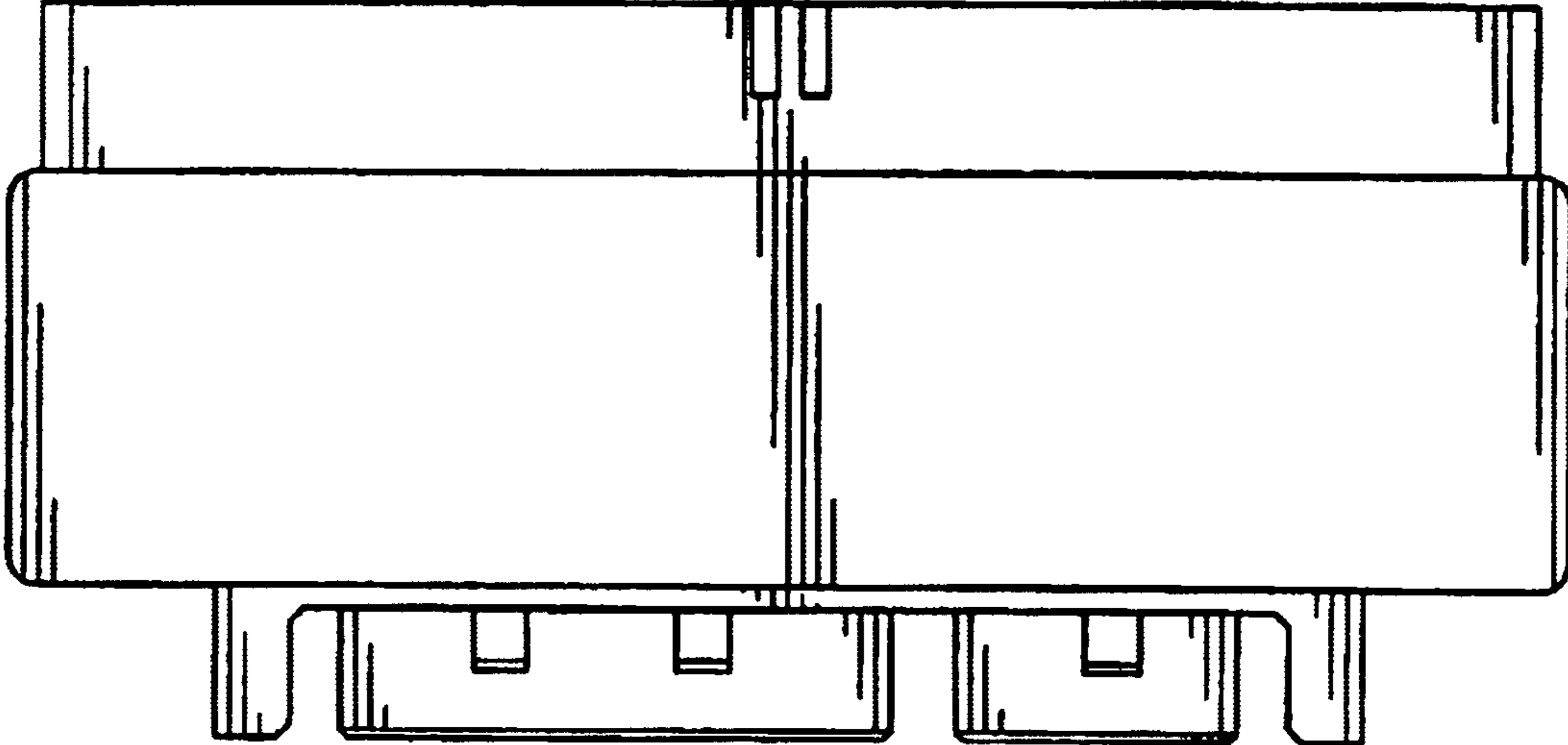


FIG. 6

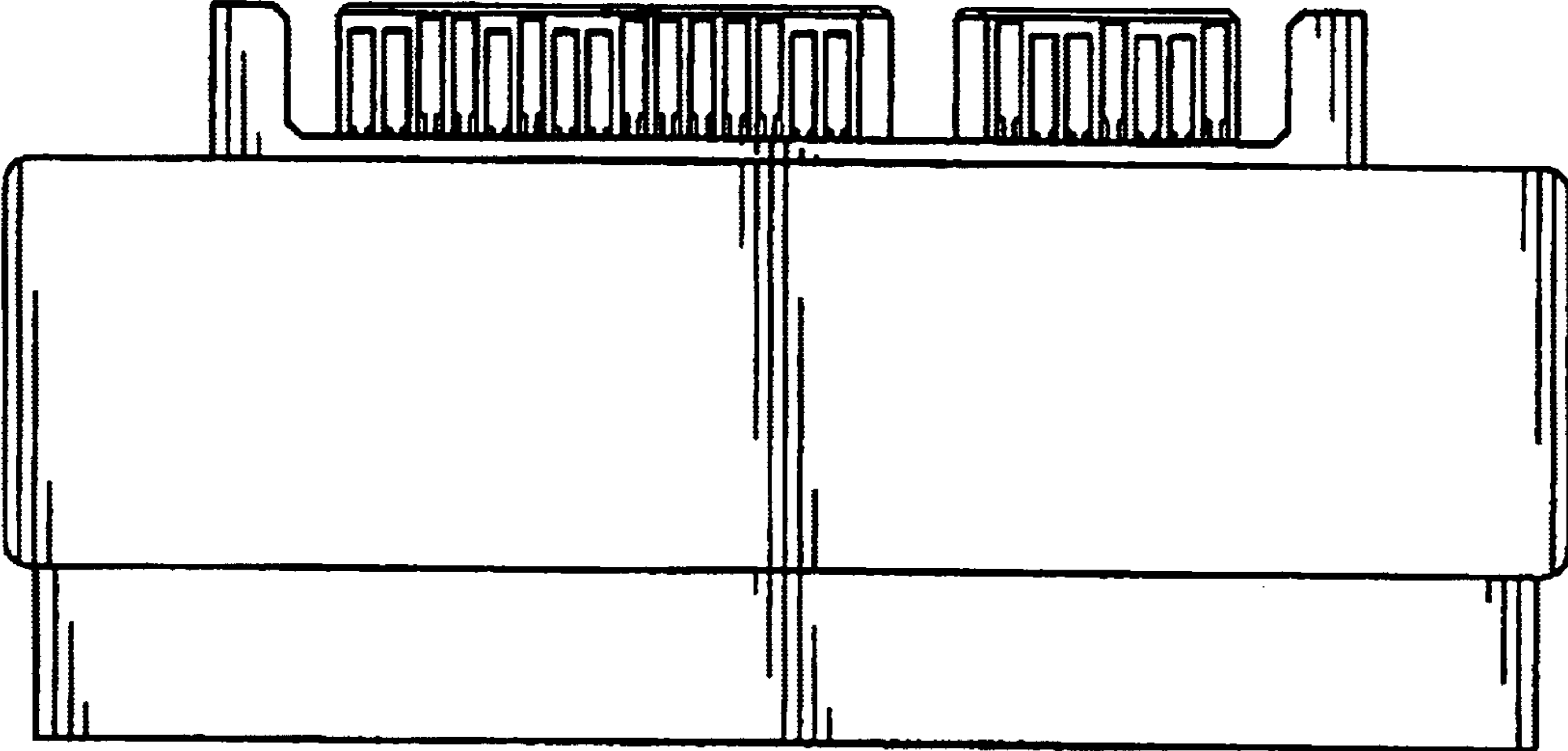


FIG. 7