



US00D492251S1

(12) **United States Design Patent**  
**Cameron et al.**

(10) **Patent No.:** **US D492,251 S**  
(45) **Date of Patent:** **\*\* Jun. 29, 2004**

(54) **POWER SUPPLY**

(75) Inventors: **Robert Fraser Cameron**, Vancouver (CA); **Kenneth Allan Fielding**, Coquitlam (CA); **Dennis Keith Ho**, Coquitlam (CA)

(73) Assignee: **Delta-Q Technologies Corp.**, Burnaby (CA)

(\*\*) Term: **14 Years**

(21) Appl. No.: **29/171,252**

(22) Filed: **Nov. 20, 2002**

(51) **LOC (7) Cl.** ..... **13-02**

(52) **U.S. Cl.** ..... **D13/110**

(58) **Field of Search** ..... D13/110, 184;  
307/64, 150; 361/679, 695, 697; 363/144,  
141, 132

(56) **References Cited**

**U.S. PATENT DOCUMENTS**

5,065,278 A	*	11/1991	Schultz	.....	361/688
D349,682 S	*	8/1994	Hunziker	.....	D13/110
D356,996 S	*	4/1995	Henderson et al.	.....	D13/110
D386,148 S	*	11/1997	Katooka et al.	.....	D13/110
D386,761 S	*	11/1997	Pleitz	.....	D14/188
D401,216 S	*	11/1998	Person et al.	.....	D13/110
D413,567 S		9/1999	Person et al.	.....	D13/110

D427,146 S	*	6/2000	Wei	.....	D13/110
D437,288 S	*	2/2001	Light	.....	D13/110
D469,060 S	*	1/2003	Noguchi et al.	.....	D13/110

\* cited by examiner

*Primary Examiner*—Philip S. Hyder  
*Assistant Examiner*—Daniel Bui

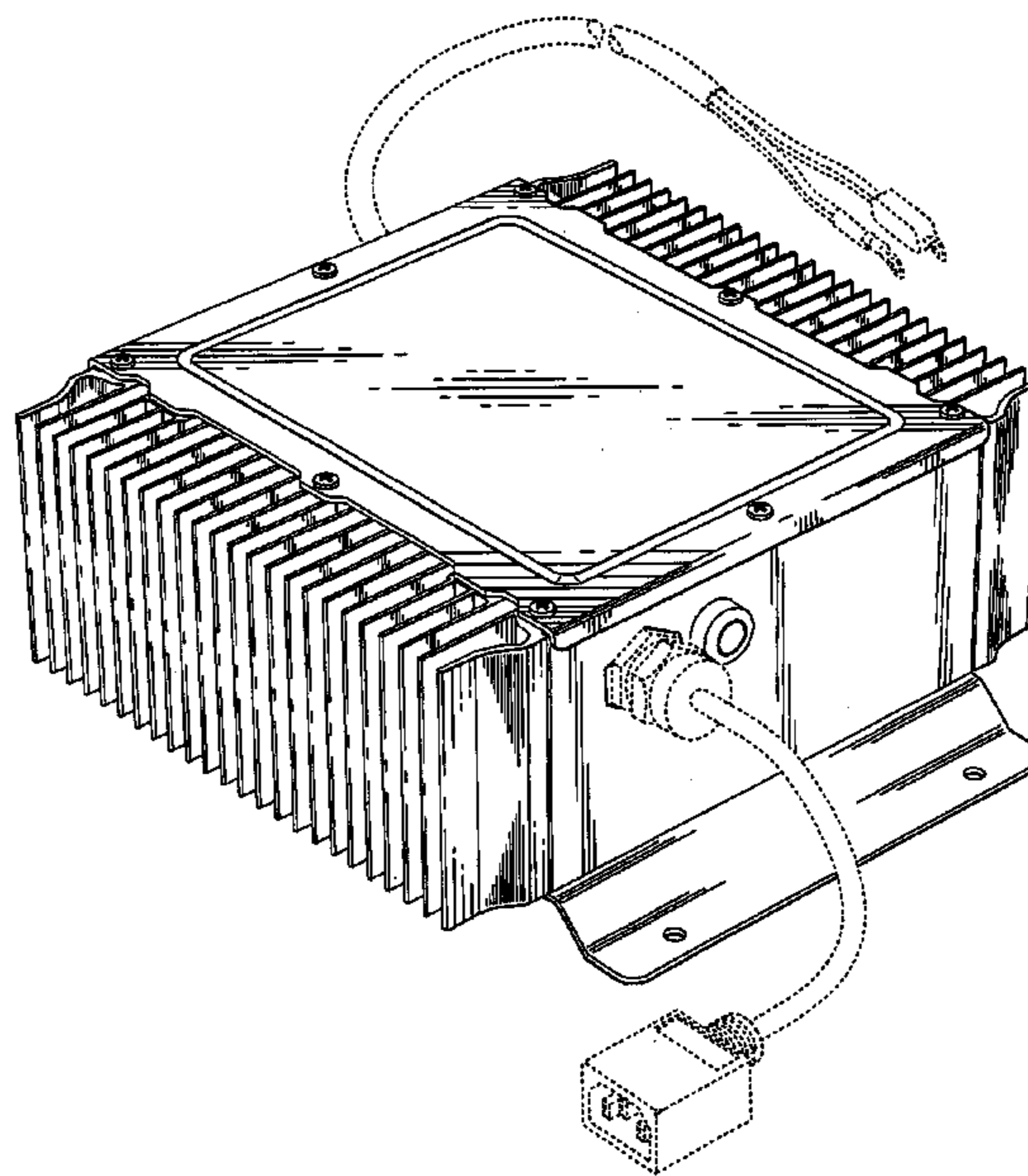
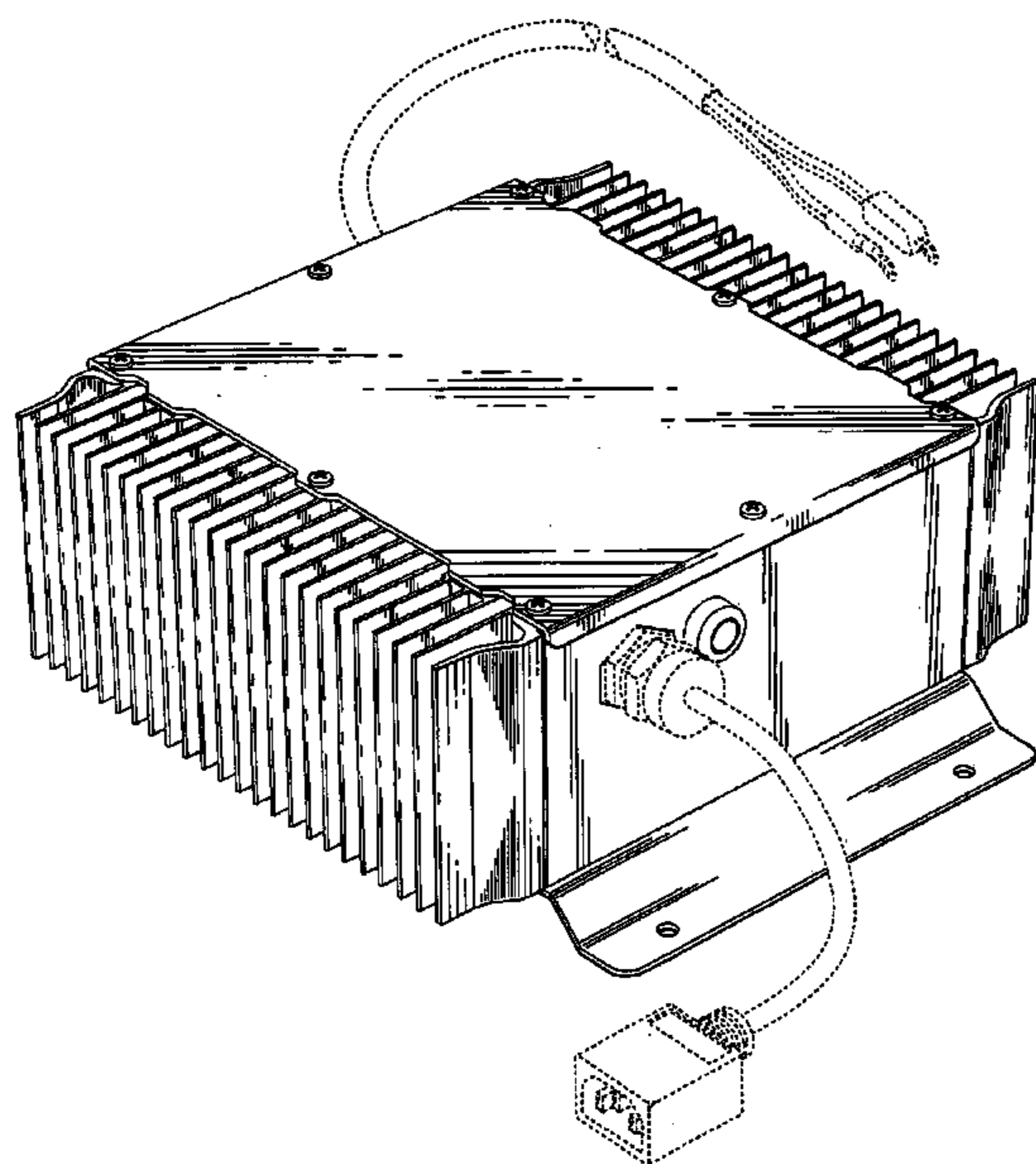
(57) **CLAIM**

The ornamental design for power supply, as shown.

**DESCRIPTION**

FIG. 1 is a perspective view of the first embodiment of a power supply showing our new design; FIG. 2 is a front view of the power supply shown in FIG. 1; FIG. 3 is a rear view of the power supply shown in FIG. 1; FIG. 4 is a top view of the power supply shown in FIG. 1; FIG. 5 is a bottom view of the power supply shown in FIG. 1; FIG. 6 is a left side view of the power supply shown in FIG. 1; FIG. 7 is a right side view of the power supply shown in FIG. 1; and, FIG. 8 is a perspective view of the second embodiment of a power supply showing our new design, it being understood that the rear, bottom and right side views are the same as the first embodiment as shown in FIGS. 3, 5 and 7. Broken lines depict unclaimed features of the design.

**1 Claim, 6 Drawing Sheets**



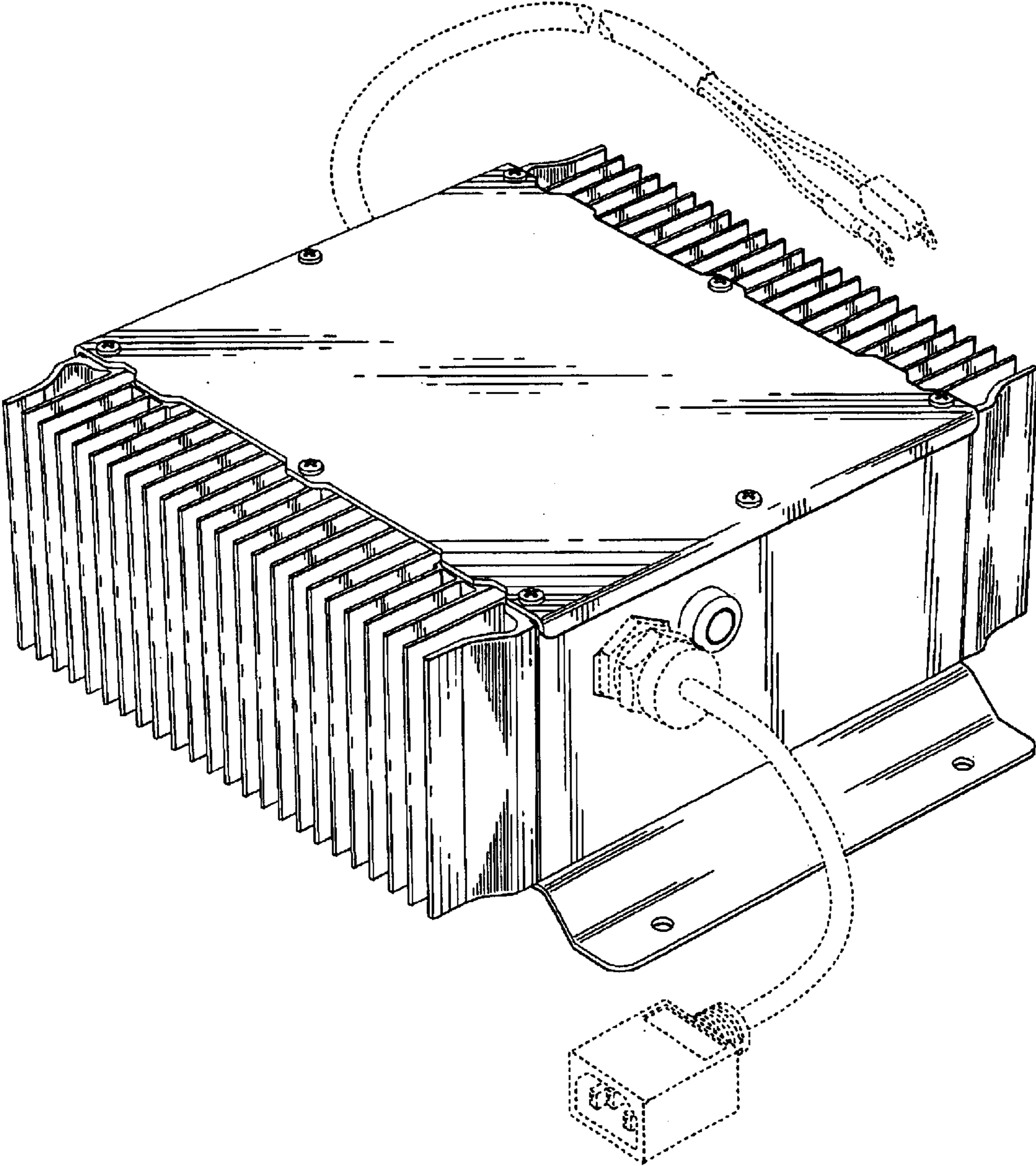
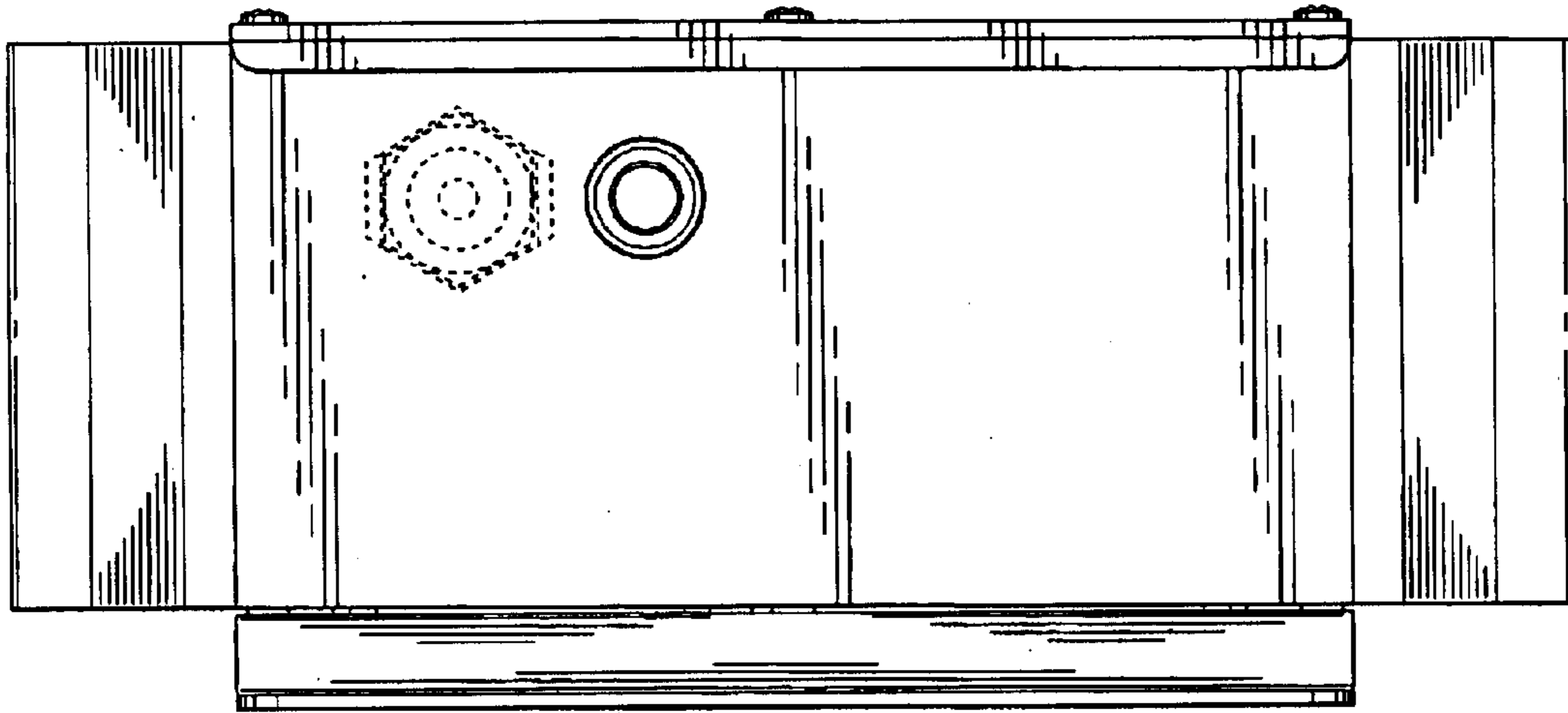
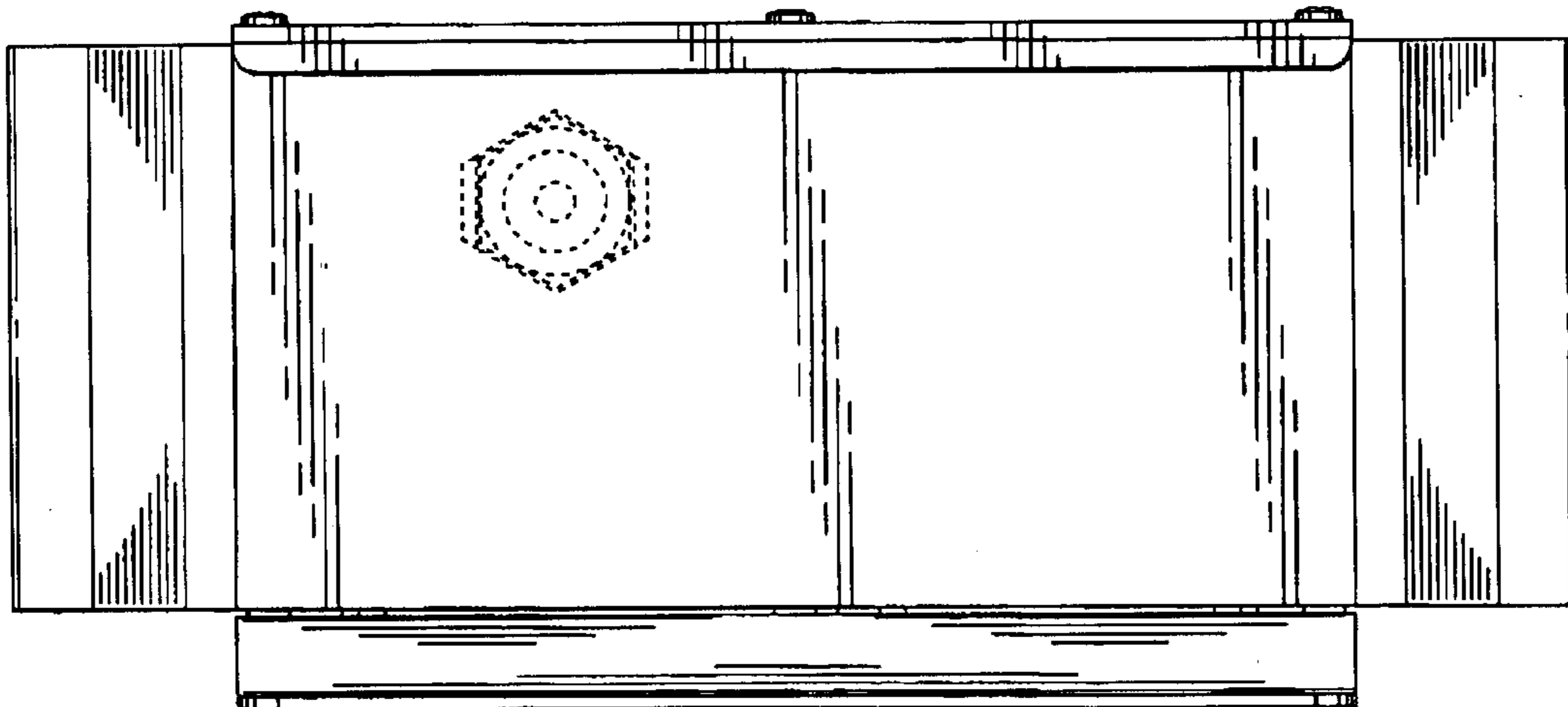


FIG. 1



**FIG. 2**



**FIG. 3**

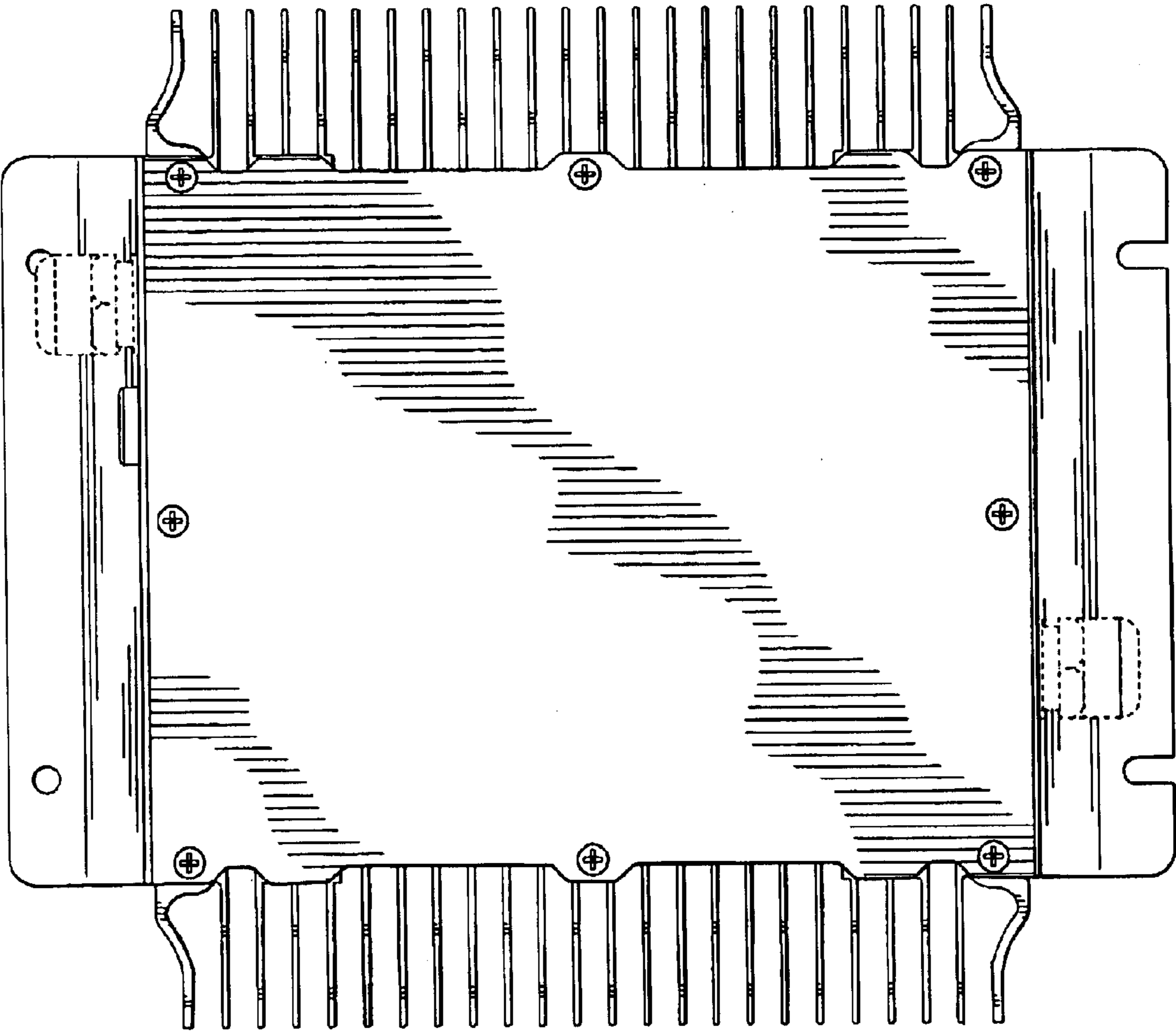


FIG. 4

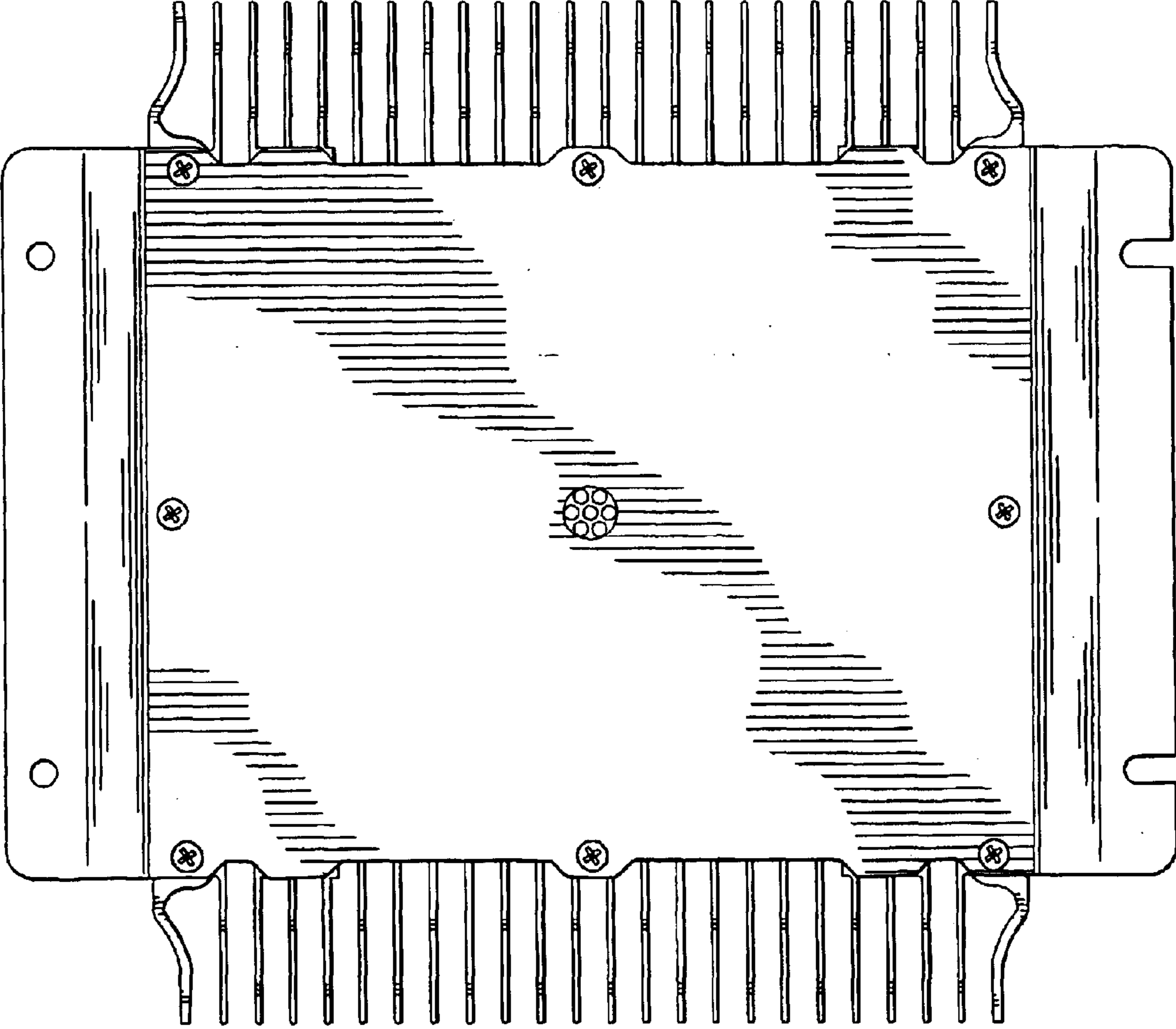
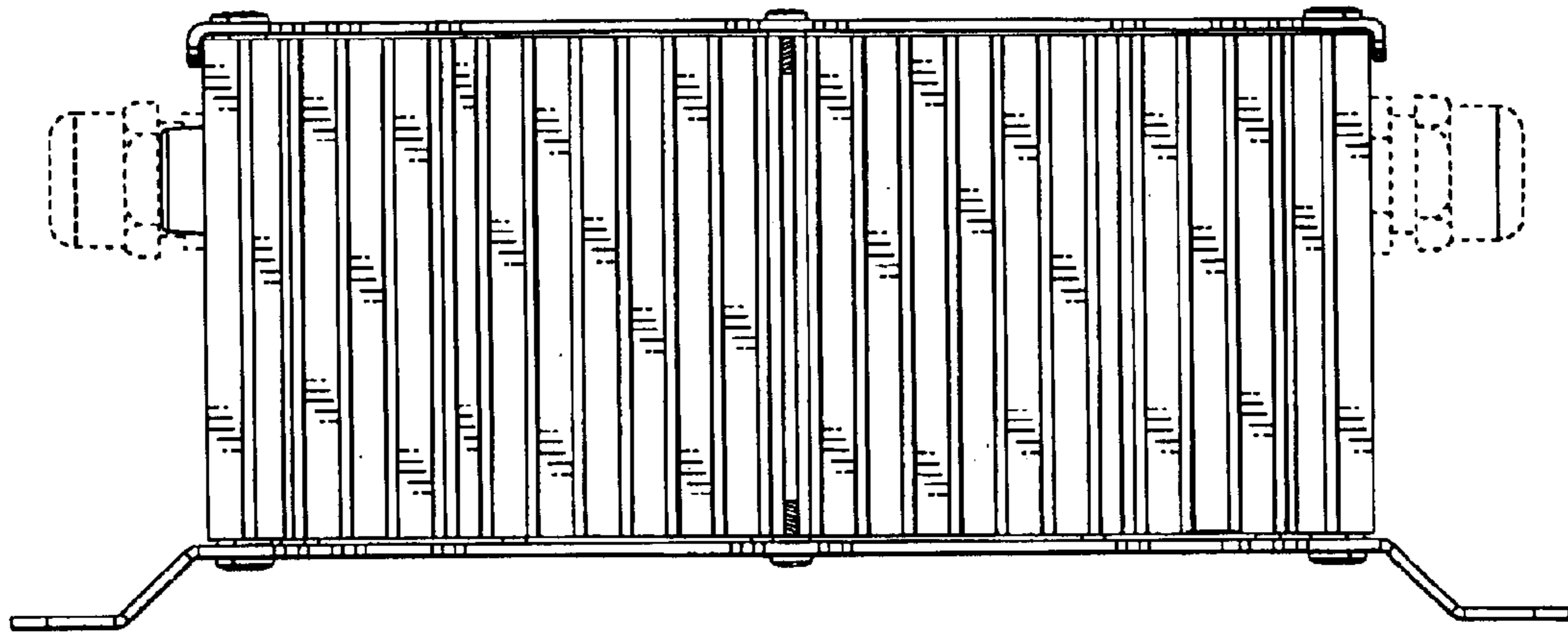
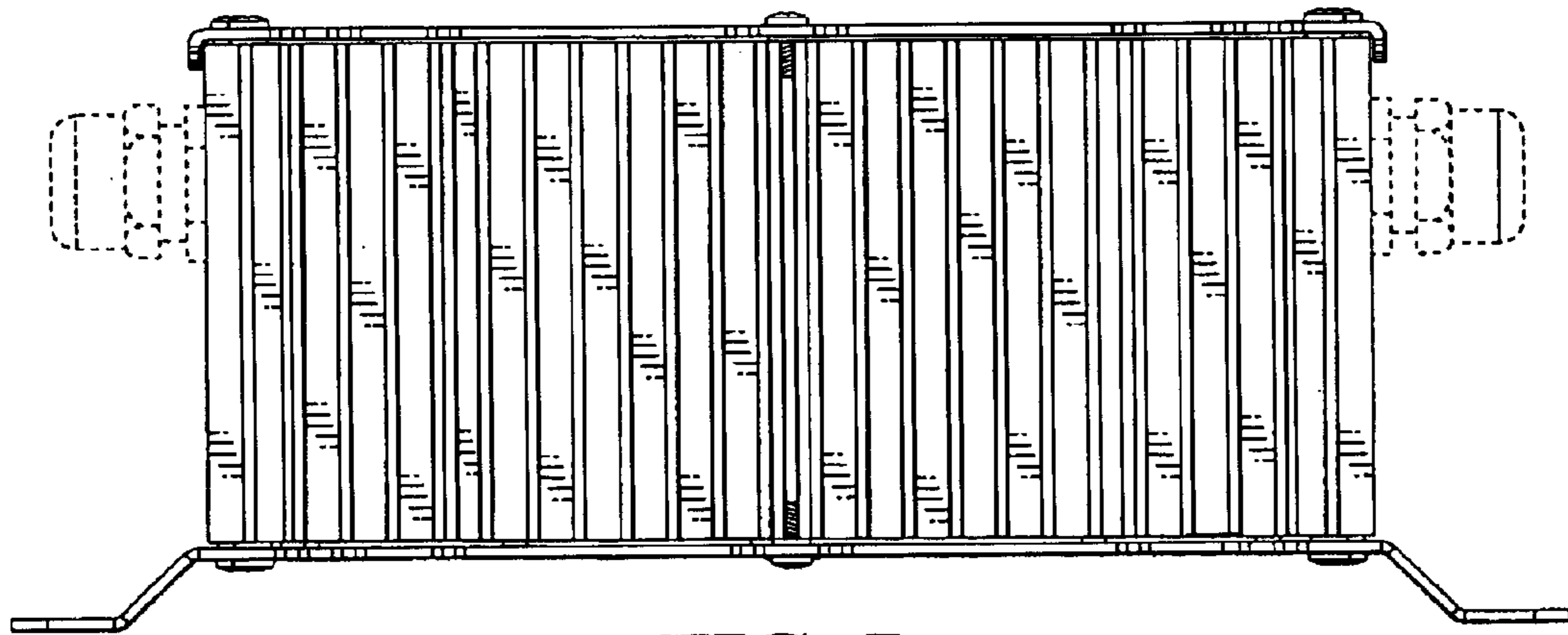


FIG. 5



**FIG. 6**



**FIG. 7**

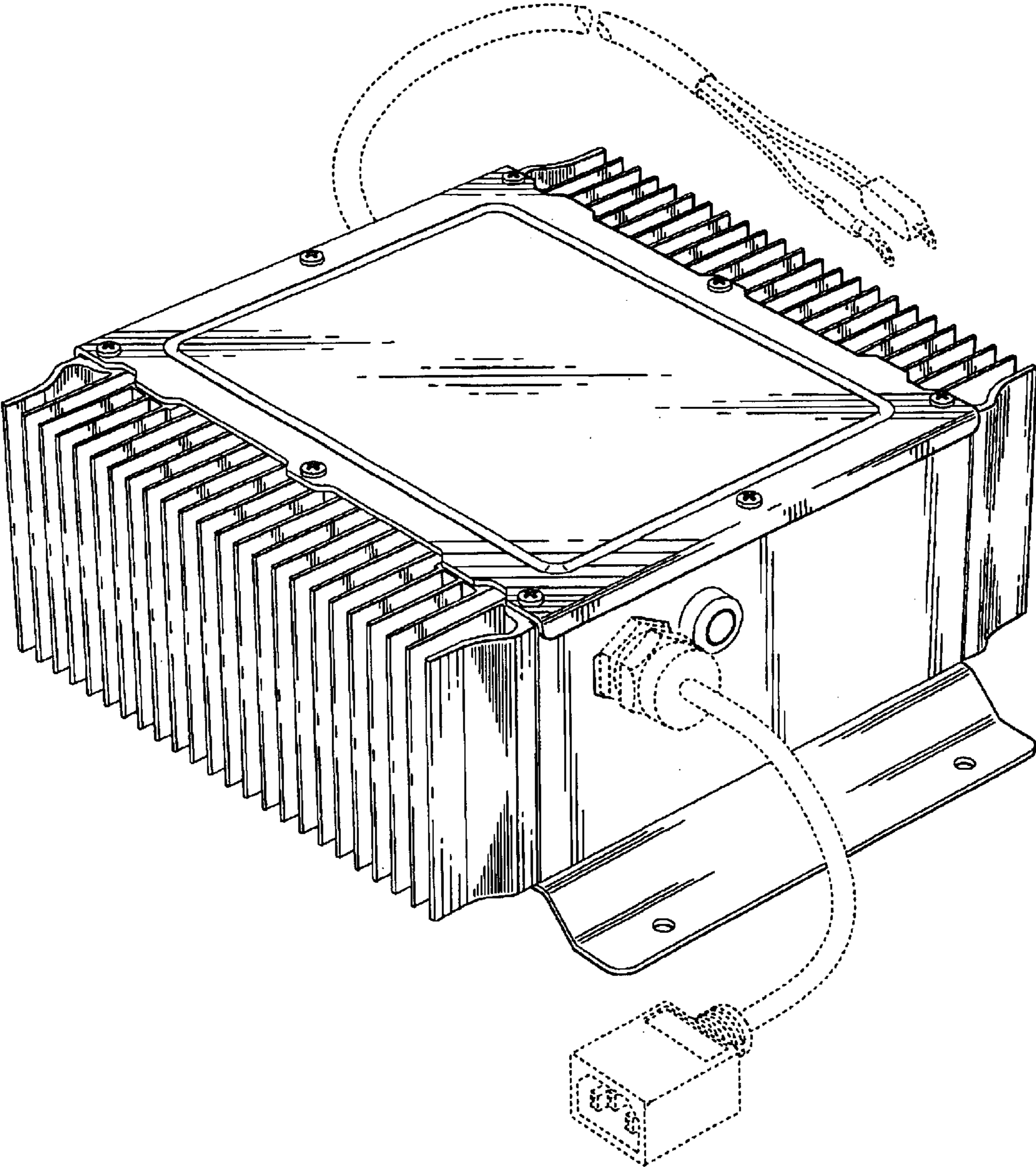


FIG. 8