

US00D492239S1

(12) **United States Design Patent**
Brintouch et al.

(10) **Patent No.:** **US D492,239 S**
(45) **Date of Patent:** **** Jun. 29, 2004**

- (54) **WHEEL WITH SPINNER**
- (75) Inventors: **Alon Brintouch**, Brooklyn, NY (US);
Araz Brintouch, Brooklyn, NY (US)
- (73) Assignee: **Atlantic Wholesalers, Inc.**, Brooklyn,
NY (US)
- (**) Term: **14 Years**
- (21) Appl. No.: **29/186,837**
- (22) Filed: **Jul. 23, 2003**
- (51) **LOC (7) Cl.** **12-16**
- (52) **U.S. Cl.** **D12/211**
- (58) **Field of Search** D12/204-213;
301/37.101, 64.101, 65

- D478,305 S * 8/2003 Kern D12/209
- D481,000 S * 10/2003 Wartono D12/209
- D481,341 S * 10/2003 Morrison D12/209
- D481,343 S * 10/2003 Kang D12/209
- D481,348 S * 10/2003 Kang D12/211

* cited by examiner

Primary Examiner—Stacia Cadmus

(74) *Attorney, Agent, or Firm*—Davidson, Davidson &
Kappel, LLC

(57) **CLAIM**

The ornamental design for a wheel with spinner, as shown
and described.

DESCRIPTION

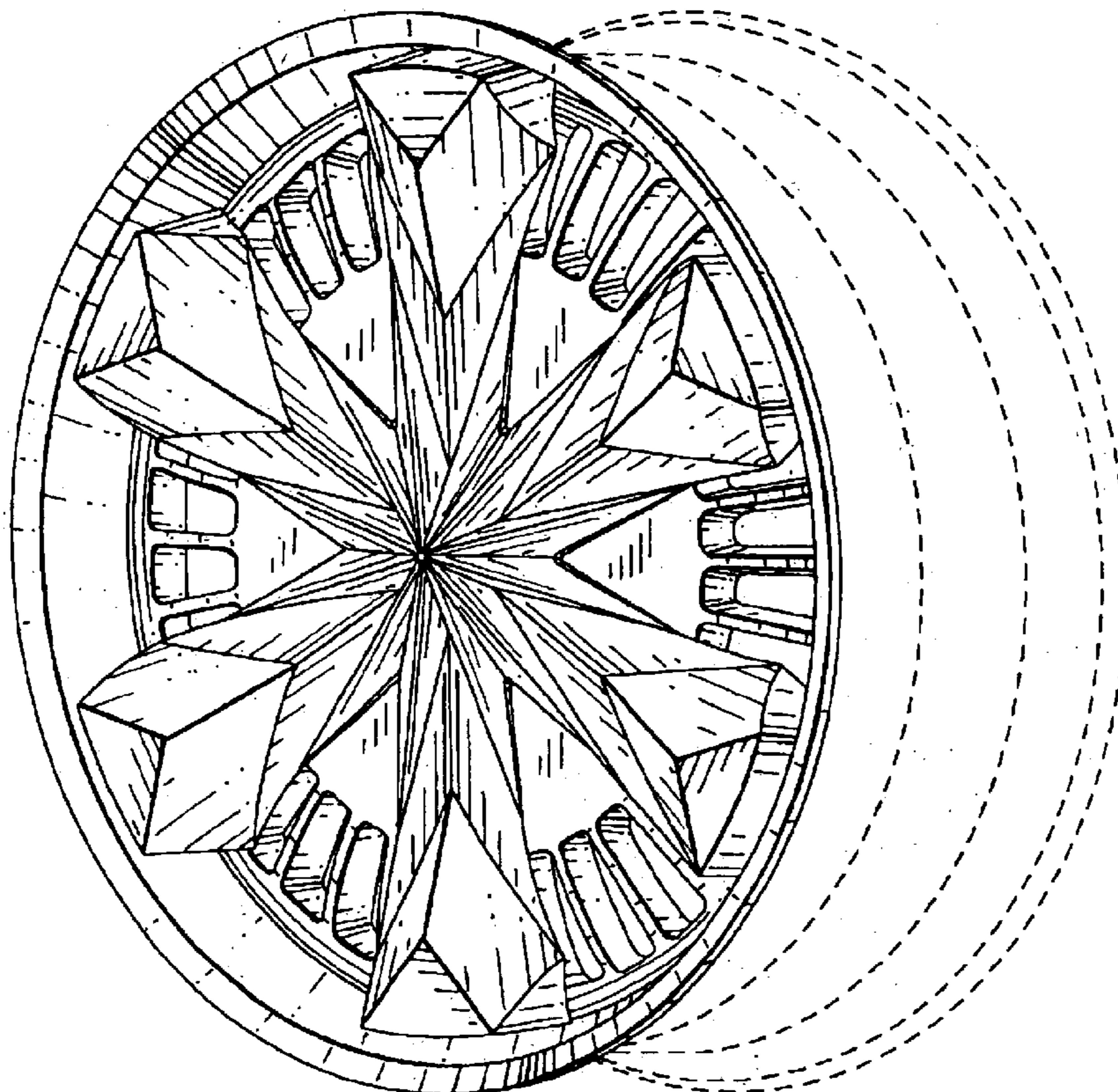
FIG. 1 is a front view of a wheel with spinner, showing our
new design;
FIG. 2 is a perspective view thereof;
FIG. 3 is an exploded view thereof;
FIG. 4 is a front view of the wheel component of the wheel
with spinner; and,
FIG. 5 is a front view of the spinner component of the wheel
with spinner.
The broken line showing of environment is for illustrative
purposes only and forms no part of the claimed design.

(56) **References Cited**

U.S. PATENT DOCUMENTS

- D444,438 S * 7/2001 Brintouch D12/209
- D444,756 S * 7/2001 Brintouch D12/209
- D451,873 S * 12/2001 Donikoglu D12/209
- D457,116 S * 5/2002 Brintouch D12/209
- D461,439 S * 8/2002 Hodges D12/209
- D464,308 S * 10/2002 Chung D12/209
- D468,251 S * 1/2003 Chung D12/211
- D469,051 S * 1/2003 Brintouch D12/209

1 Claim, 5 Drawing Sheets



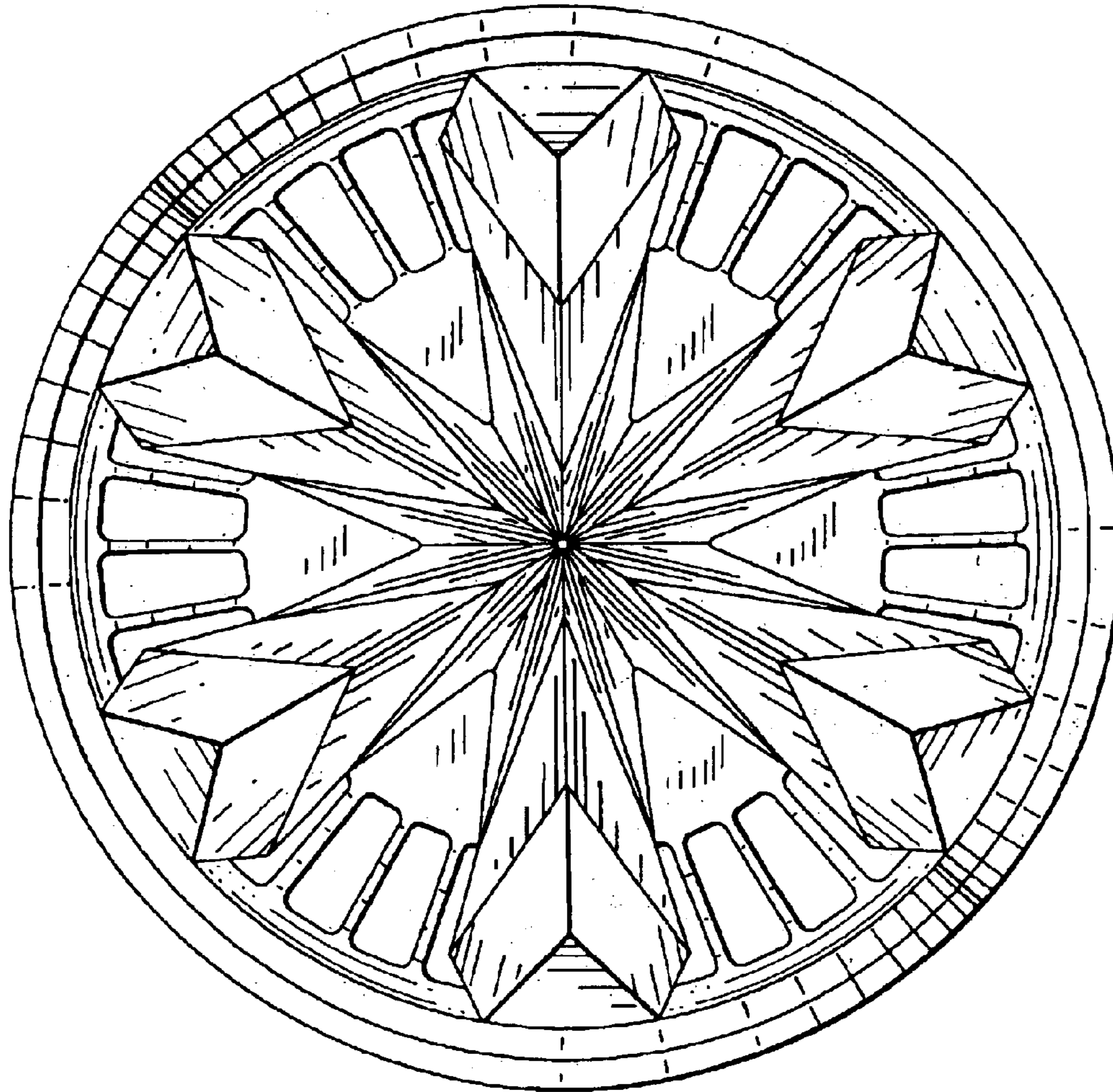


FIG. 1

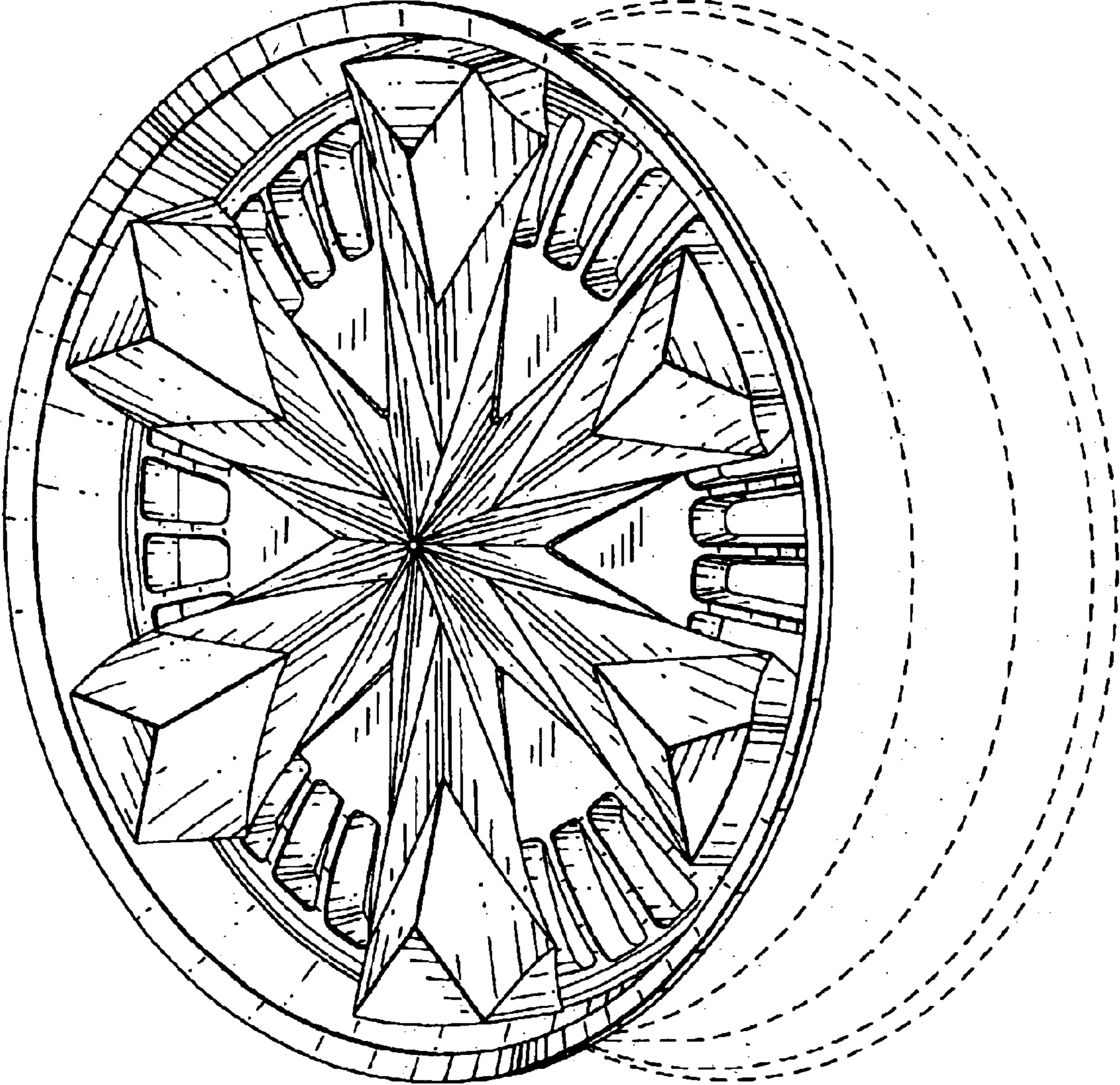


FIG. 2

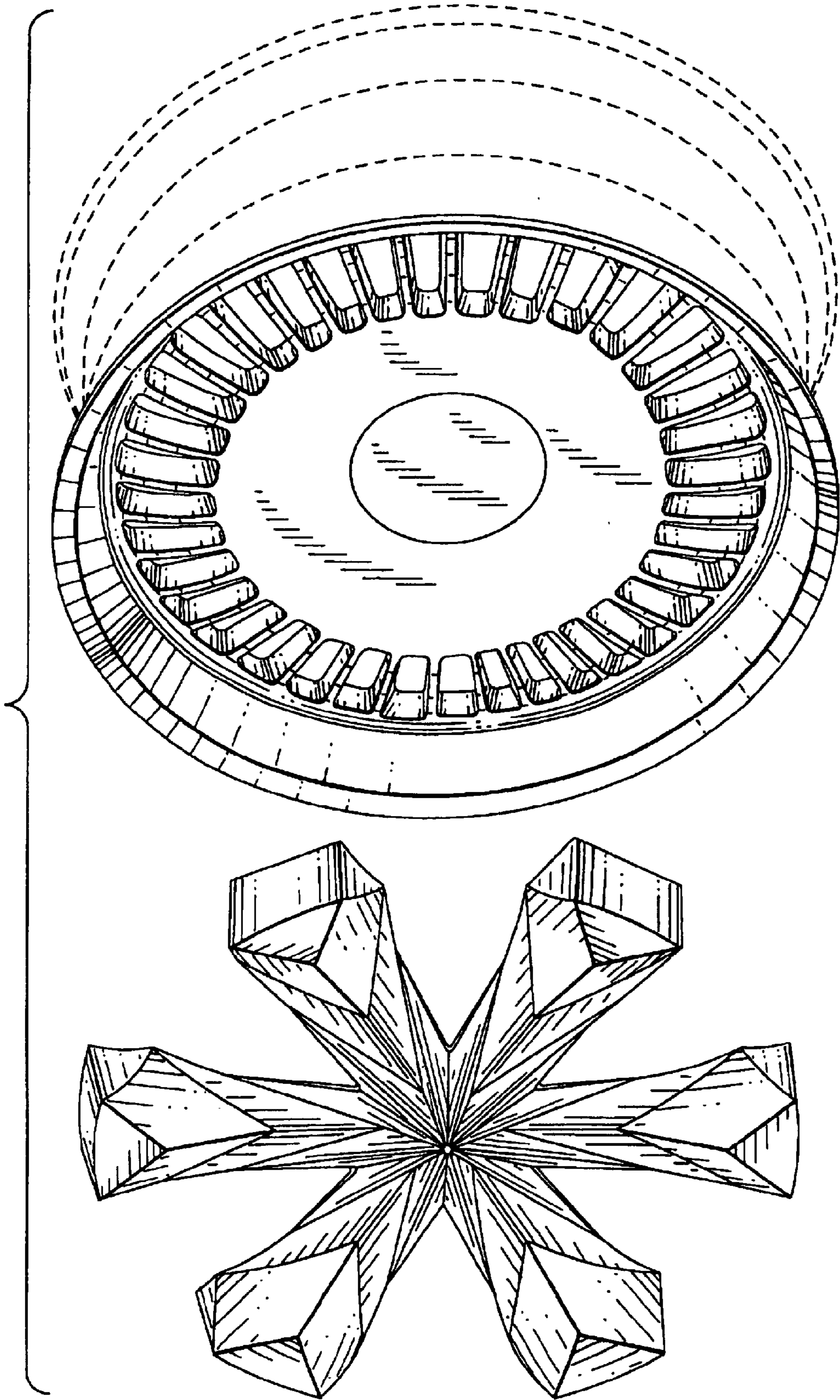


FIG. 3

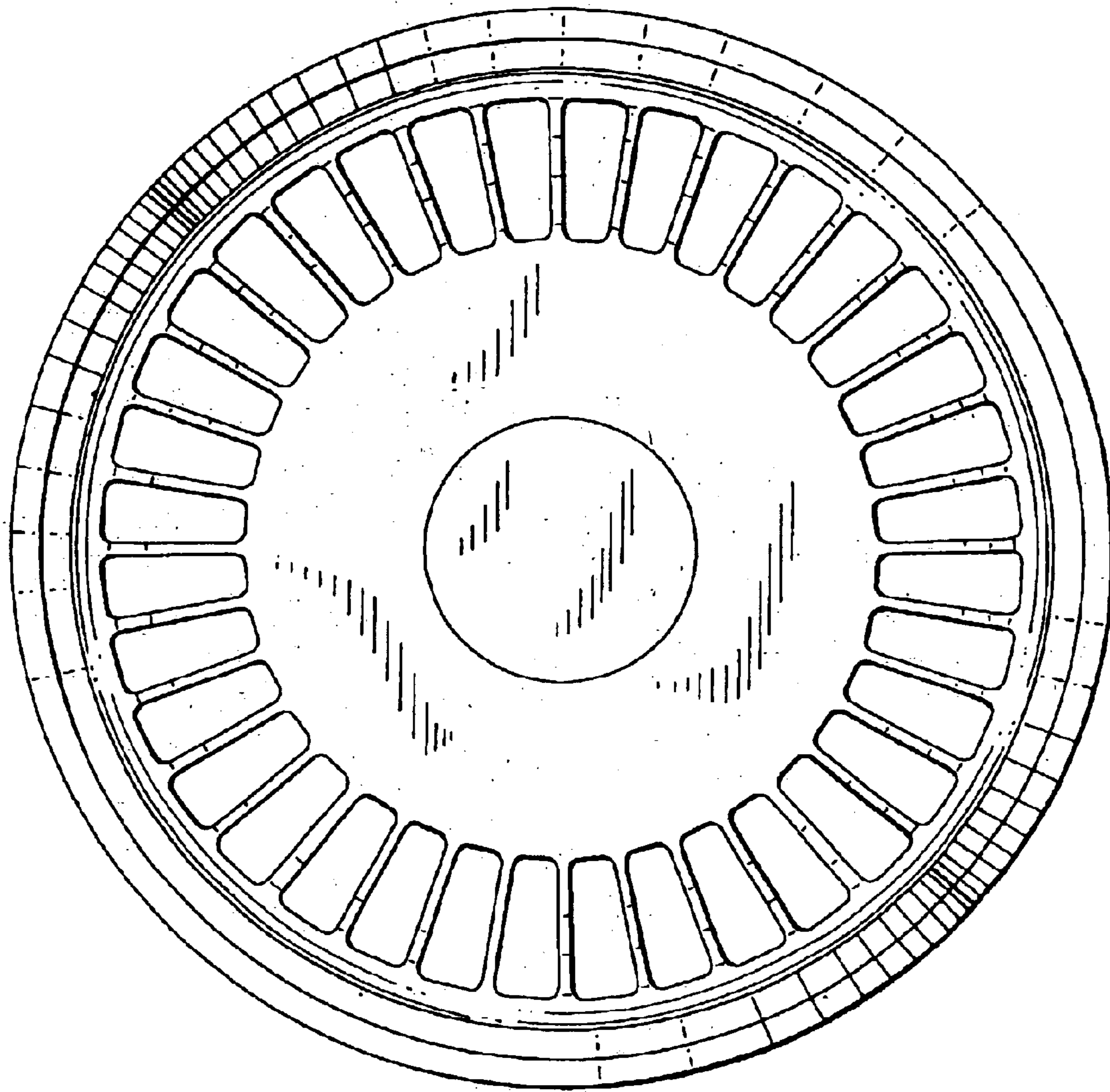


FIG. 4

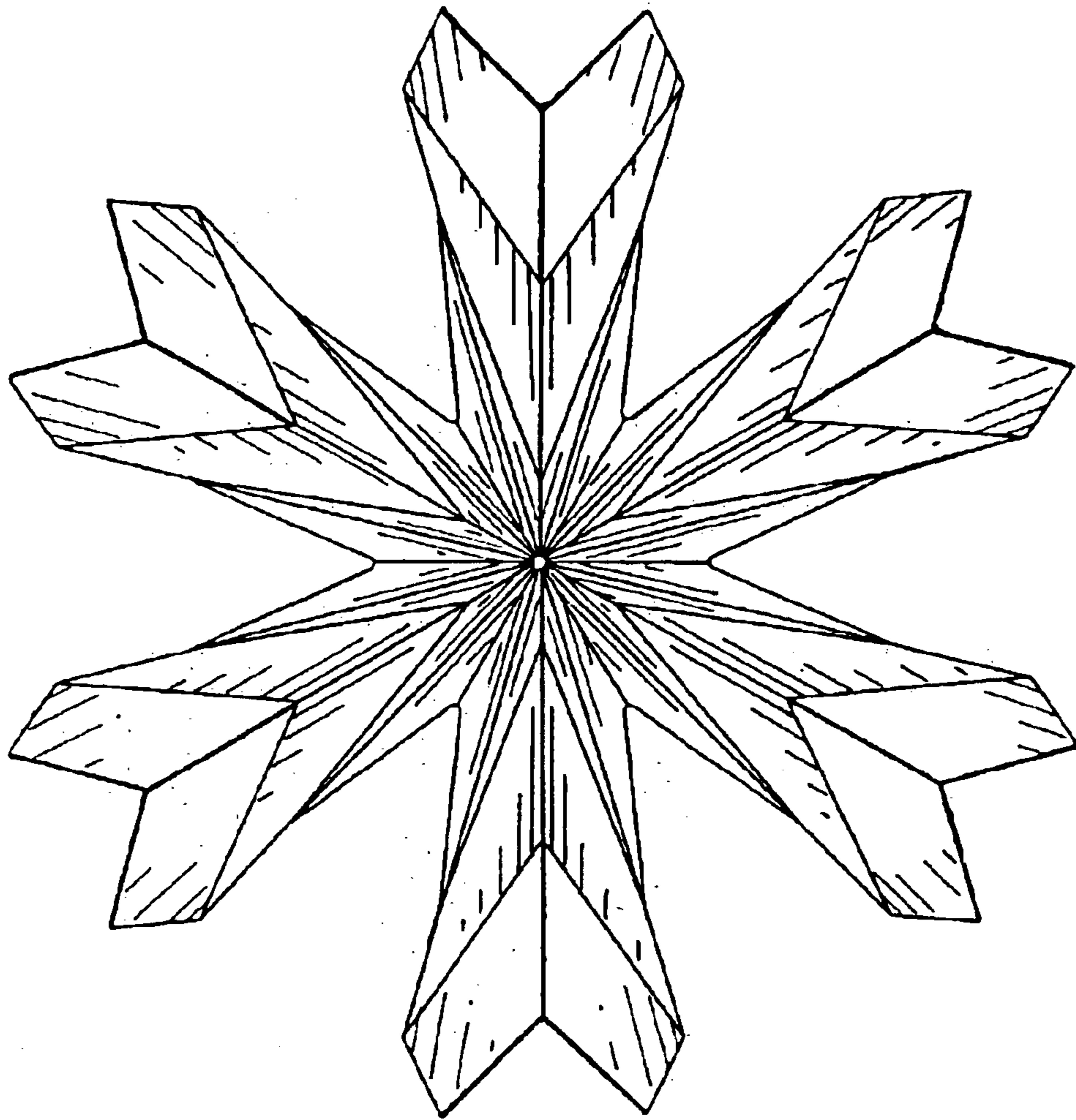


FIG. 5