

US00D492238S1

(12) **United States Design Patent**
Bernoni

(10) **Patent No.:** **US D492,238 S**
(45) **Date of Patent:** **** Jun. 29, 2004**

(54) **WHEEL FOR A MOTOR VEHICLE**

(75) **Inventor:** **Claudio Bernoni**, Selvazzano Dentro (IT)

(73) **Assignee:** **O.Z. S.p.A.**, Vicenza (IT)

(**) **Term:** **14 Years**

(21) **Appl. No.:** **29/173,267**

(22) **Filed:** **Dec. 23, 2002**

(30) **Foreign Application Priority Data**

Jun. 27, 2002 (IT) BO2002O0044

(51) **LOC (7) Cl.** **12-16**

(52) **U.S. Cl.** **D12/211**

(58) **Field of Search** D12/204-211;
301/37.101, 64.101, 65

(56) **References Cited**

U.S. PATENT DOCUMENTS

D361,976 S	*	9/1995	Echazabal et al.	D12/211
D375,073 S	*	10/1996	Theiss	D12/209
D403,648 S	*	1/1999	Feriero	D12/209
D412,149 S	*	7/1999	Corioni	D12/211
D418,798 S	*	1/2000	Muzzarelli et al.	D12/211
D430,523 S	*	9/2000	Pfeiffer	D12/209
D441,709 S	*	5/2001	Vian	D12/211

D451,464 S	*	12/2001	Bernoni	D12/209
D452,210 S	*	12/2001	Bernoni	D12/209
D454,530 S	*	3/2002	Hieke	D12/211
D458,208 S	*	6/2002	Hartl	D12/211
D458,886 S	*	6/2002	Bhambra	D12/209
D460,729 S	*	7/2002	Khan	D12/209
D460,941 S	*	7/2002	Muzzarelli	D12/211
D461,757 S	*	8/2002	Taneoka	D12/211
D466,067 S	*	11/2002	Muzzarelli	D12/211
D466,460 S	*	12/2002	Kataoka	D12/209

* cited by examiner

Primary Examiner—Stacia Cadmus

(74) *Attorney, Agent, or Firm*—Fay, Sharpe, Fagan, Minnich & McKee, LLP

(57) **CLAIM**

The ornamental design for wheel for a motor vehicle, as shown and described.

DESCRIPTION

FIG. 1 is a front perspective view of a wheel for a motor vehicle showing my new design; and,

FIG. 2 is a front view thereof.

The entire left side, right side, top, bottom and rear surfaces of all the embodiments of the wheel are not visible in their normal or intended use.

1 Claim, 1 Drawing Sheet

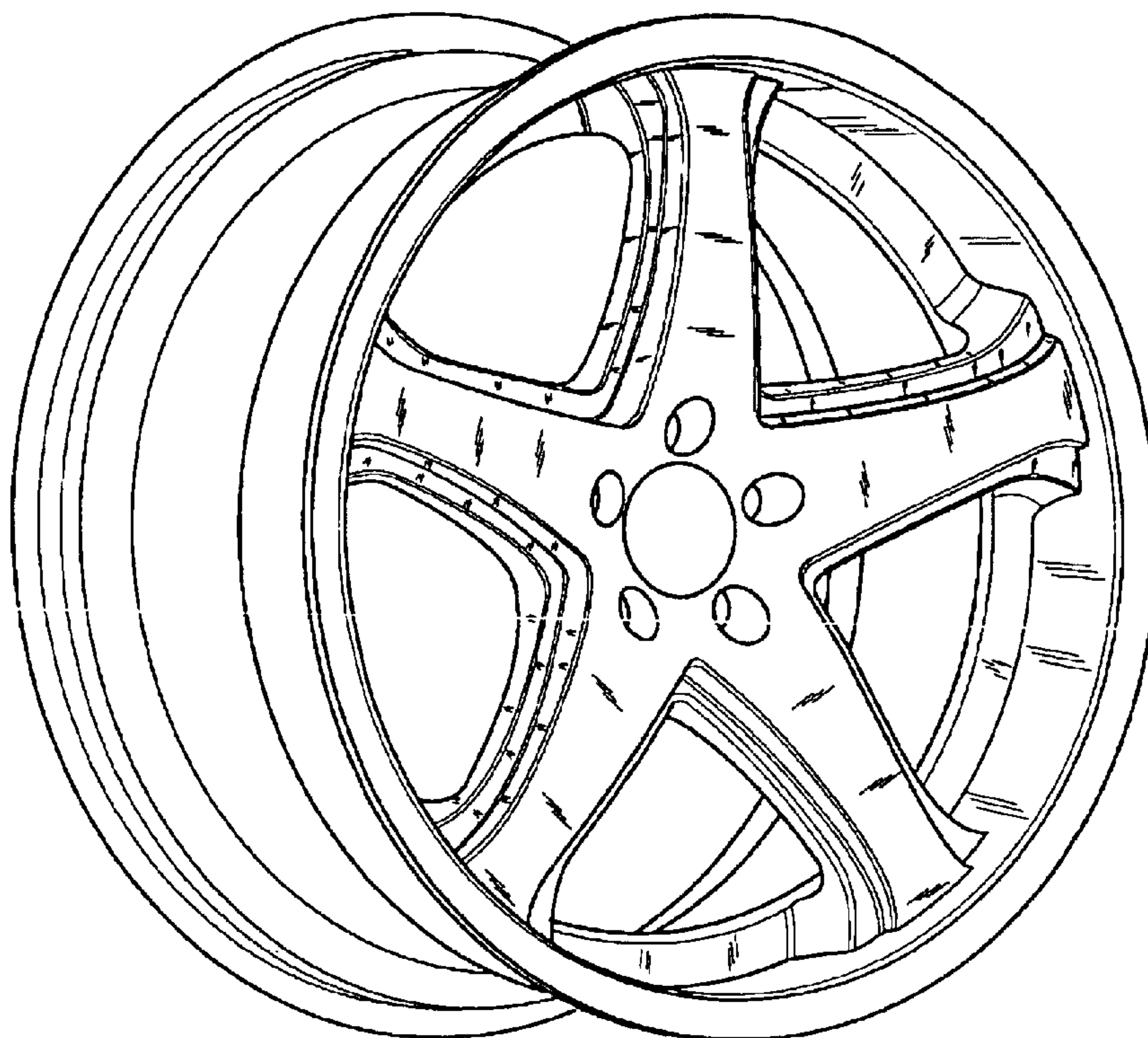


FIG.1

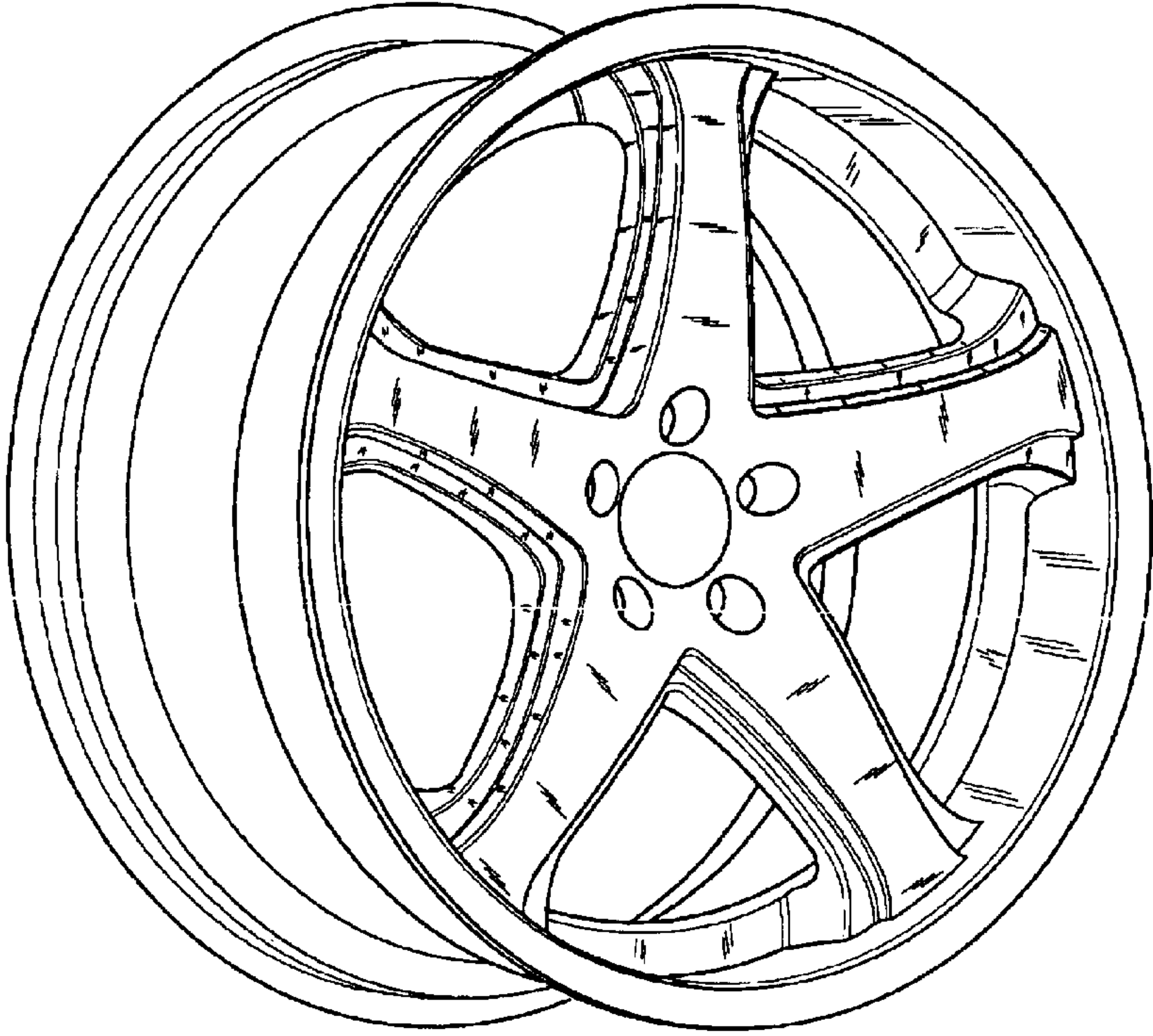


FIG.2

