

US00D492235S1

(12) **United States Design Patent**  
**Nordmann**

(10) **Patent No.:** **US D492,235 S**  
(45) **Date of Patent:** **\*\* Jun. 29, 2004**

(54) **FRONT FACE OF A VEHICLE WHEEL**

(75) **Inventor:** **Christoph Nordmann, Munich (DE)**

(73) **Assignee:** **Bayerische Motoren Werke  
Aktiengesellschaft, Munich (DE)**

(\*\*) **Term:** **14 Years**

(21) **Appl. No.:** **29/150,164**

(22) **Filed:** **Nov. 9, 2001**

(30) **Foreign Application Priority Data**

May 9, 2001 (DE) ..... 4 01 04 441

(51) **LOC (7) Cl.** ..... **12-16**

(52) **U.S. Cl.** ..... **D12/211**

(58) **Field of Search** ..... **D12/204-211;**  
**301/37.101, 64.101, 65**

(56) **References Cited**

**U.S. PATENT DOCUMENTS**

- D391,543 S \* 3/1998 Renkert ..... D12/209
- D422,258 S \* 4/2000 Hale, Jr. .... D12/211
- D422,959 S \* 4/2000 Hussaini et al. .... D12/211
- D432,974 S \* 10/2000 Jablonski ..... D12/211

- D433,659 S \* 11/2000 Frizzi ..... D12/211
- D450,647 S \* 11/2001 Pfeiffer ..... D12/211
- D460,037 S \* 7/2002 Takechi ..... D12/211
- D469,048 S \* 1/2003 Van Hooydonk ..... D12/209
- D472,866 S \* 4/2003 Pfeiffer et al. .... D12/211

**FOREIGN PATENT DOCUMENTS**

WO DM/054611 12/2000

\* cited by examiner

*Primary Examiner*—Stacia Cadmus

(74) *Attorney, Agent, or Firm*—Crowell & Moring LLP

(57) **CLAIM**

The ornamental design for a front face of a vehicle wheel, as shown and described.

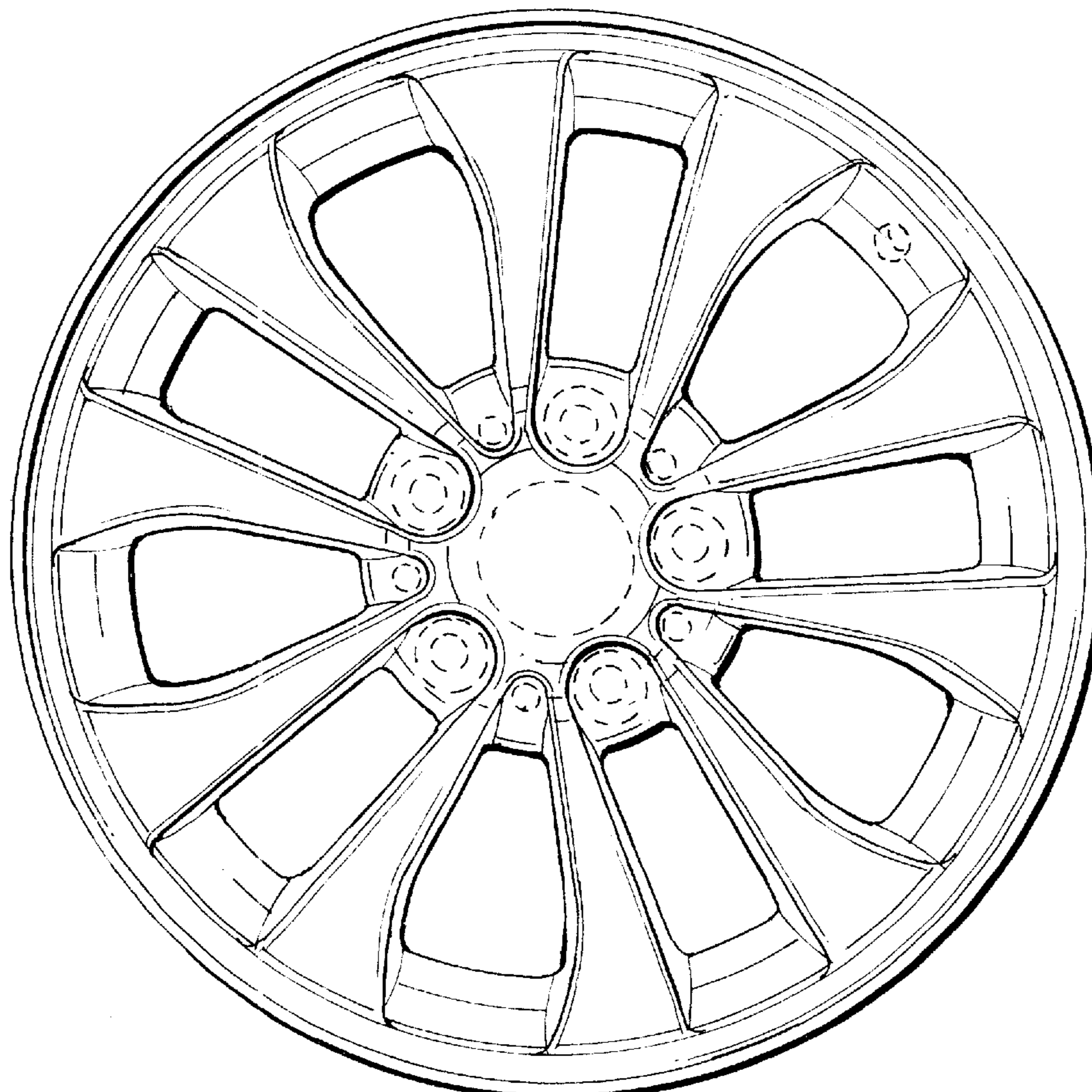
**DESCRIPTION**

FIG. 1 is a front view of a front face of a vehicle wheel according to my novel design; and,

FIG. 2 is a perspective view of the front face of a vehicle wheel according to my novel design.

The dash lines included depict environment and are not part of the claimed design.

**1 Claim, 1 Drawing Sheet**



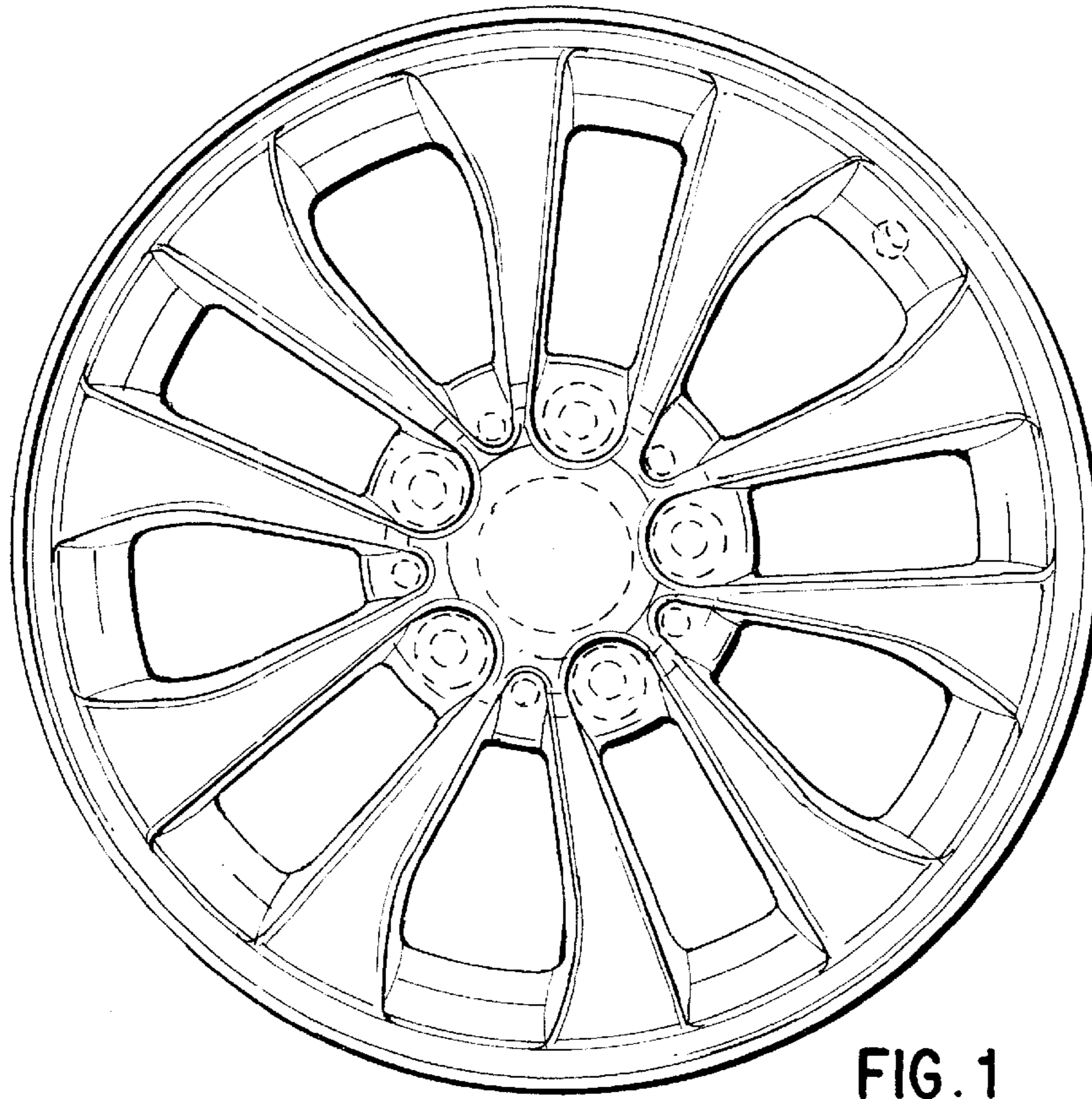


FIG. 1

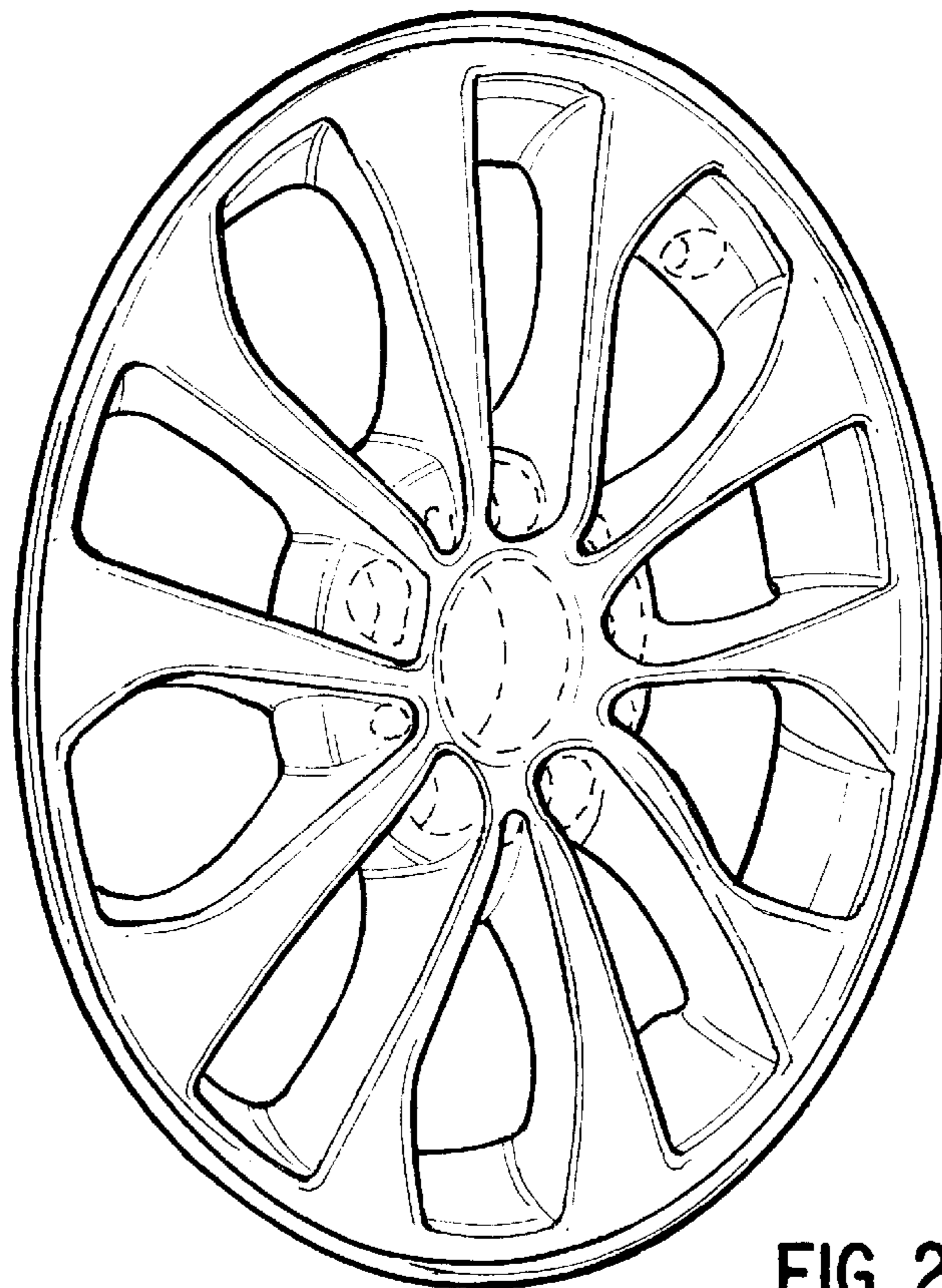


FIG. 2