

US00D492233S1

(12) **United States Design Patent**
Burden

(10) **Patent No.:** **US D492,233 S**
(45) **Date of Patent:** **** Jun. 29, 2004**

(54) **BASEBALL WHEEL COVER**

(75) **Inventor:** **Kimpton Wylie Burden**, Hilton Head Island, SC (US)

(73) **Assignee:** **Play Ball, LLC**, Hilton Head Island, SC (US)

(**) **Term:** **14 Years**

(21) **Appl. No.:** **29/177,320**

(22) **Filed:** **Mar. 7, 2003**

(51) **LOC (7) Cl.** **12-16**

(52) **U.S. Cl.** **D12/204**

(58) **Field of Search** D12/204, 213,
D12/162, 400, 202; D9/307, 441, 451;
D21/314, 780; D19/97; D28/79; D11/30,
44, 48, 81, 204, 211, 223, 238, 232, 99;
301/37.101, 64.101, 65

D416,843 S * 11/1999 Brown D12/202
D418,792 S * 1/2000 Iampen D12/202
D420,253 S * 2/2000 Malusek D7/392.1
D426,137 S * 6/2000 Ball et al. D8/305
D429,114 S * 8/2000 Malusek D7/511
D430,840 S * 9/2000 Iampen D12/202
D431,218 S 9/2000 Chelaru
D441,655 S * 5/2001 Siegel et al. D9/451
D446,723 S * 8/2001 Siegel et al. D9/451
D457,846 S 5/2002 Burden
D473,179 S 4/2003 Burden
D477,260 S * 7/2003 Hovren D12/202

* cited by examiner

Primary Examiner—Stacia Cadmus

(74) *Attorney, Agent, or Firm*—Alan G. Towner, Esq.;
Pietragallo, Bosick & Gordon

(57) **CLAIM**

The ornamental design for baseball wheel cover, as shown and described.

(56) **References Cited**

U.S. PATENT DOCUMENTS

2,593,274 A 4/1952 Dandurand
D219,567 S 12/1970 Ascani et al.
D256,686 S 9/1980 Zielinski
D305,322 S * 1/1990 Campbell D12/202
D324,020 S 2/1992 Wu
D357,541 S 4/1995 Neidell
D373,310 S * 9/1996 Trautmann D9/441
D377,002 S * 12/1996 Tran D12/202
D378,658 S * 4/1997 Bried et al. D8/378
D383,979 S * 9/1997 Tucker D9/451
D390,112 S * 2/1998 Tucker D9/451
D390,778 S 2/1998 Lee
D397,982 S 9/1998 Wu
D400,440 S * 11/1998 Tucker D9/451
D405,639 S * 2/1999 Clark et al. D7/515

DESCRIPTION

FIG. 1 is an isometric view of a baseball wheel cover in accordance with an embodiment of the present invention.

FIG. 2 is a front view thereof;

FIG. 3 is a left-side view thereof;

FIG. 4 is a right-side view thereof;

FIG. 5 is a top view thereof;

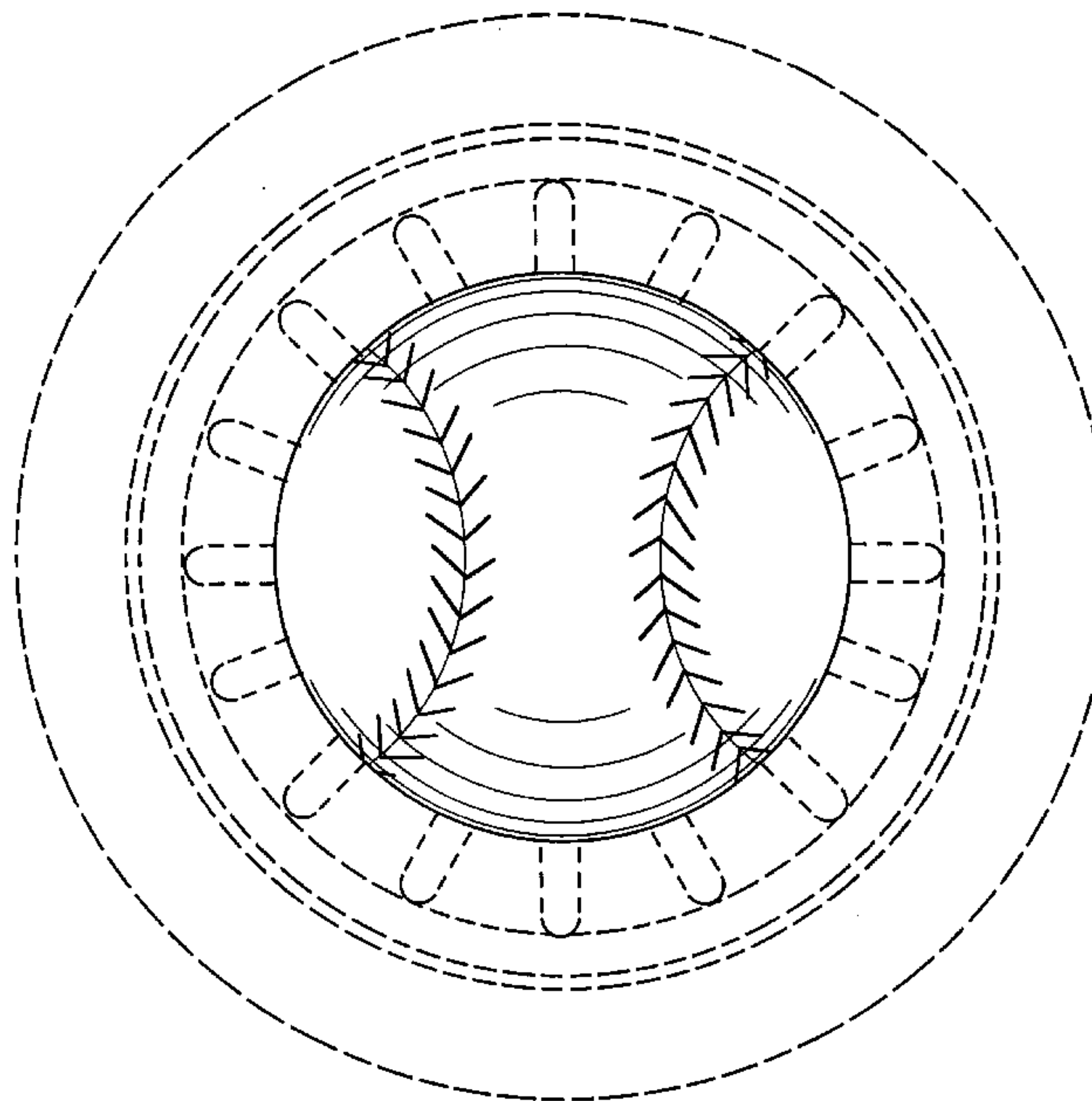
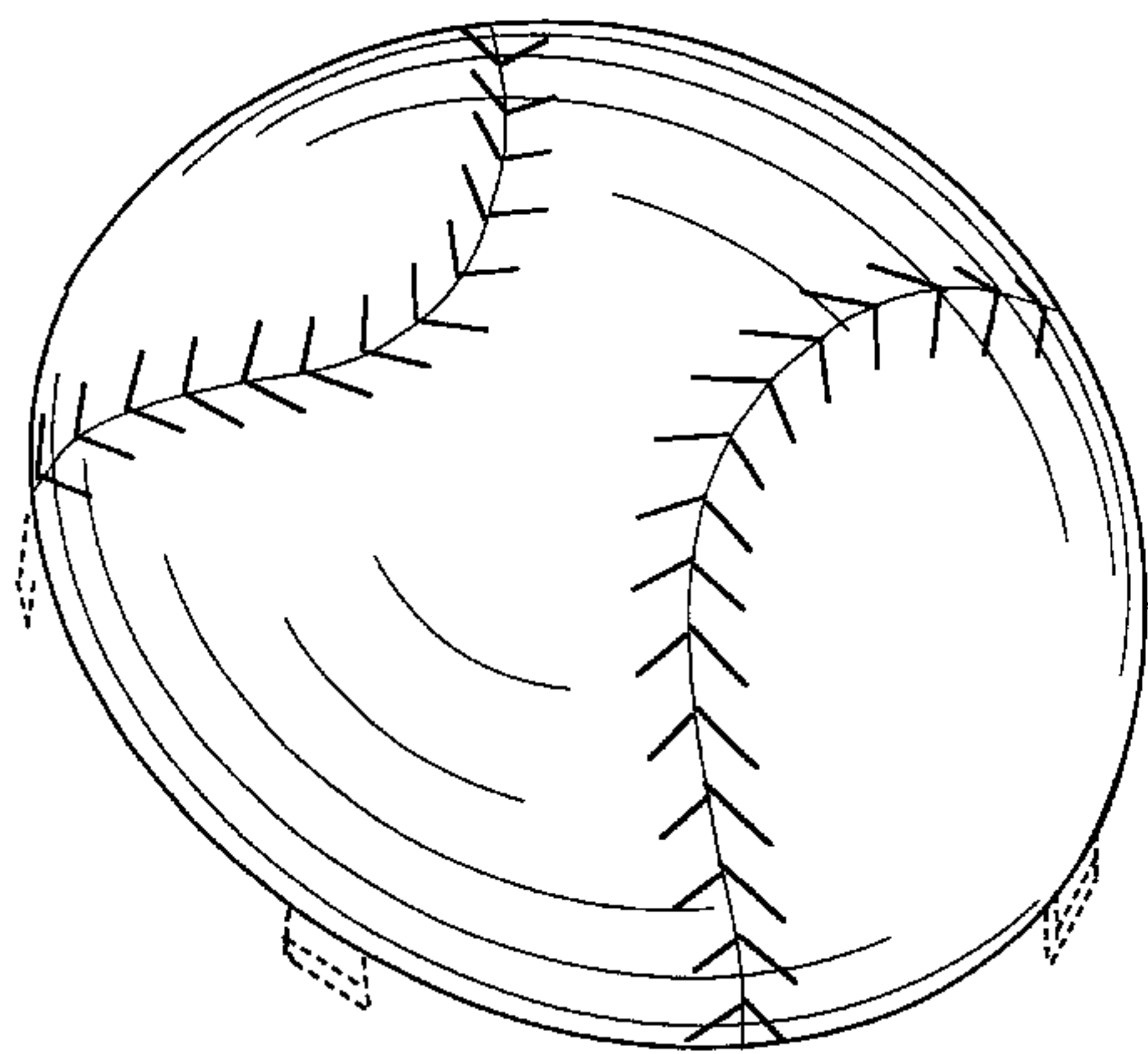
FIG. 6 is a bottom view thereof;

FIG. 7 is a back view thereof; and,

FIG. 8 is a side view of the baseball wheel cover of FIG. 1, illustrating its mounting position on a wheel drawn in phantom.

The broken line showing of environment is for illustrative purposes only and forms no part of the claimed design.

1 Claim, 5 Drawing Sheets



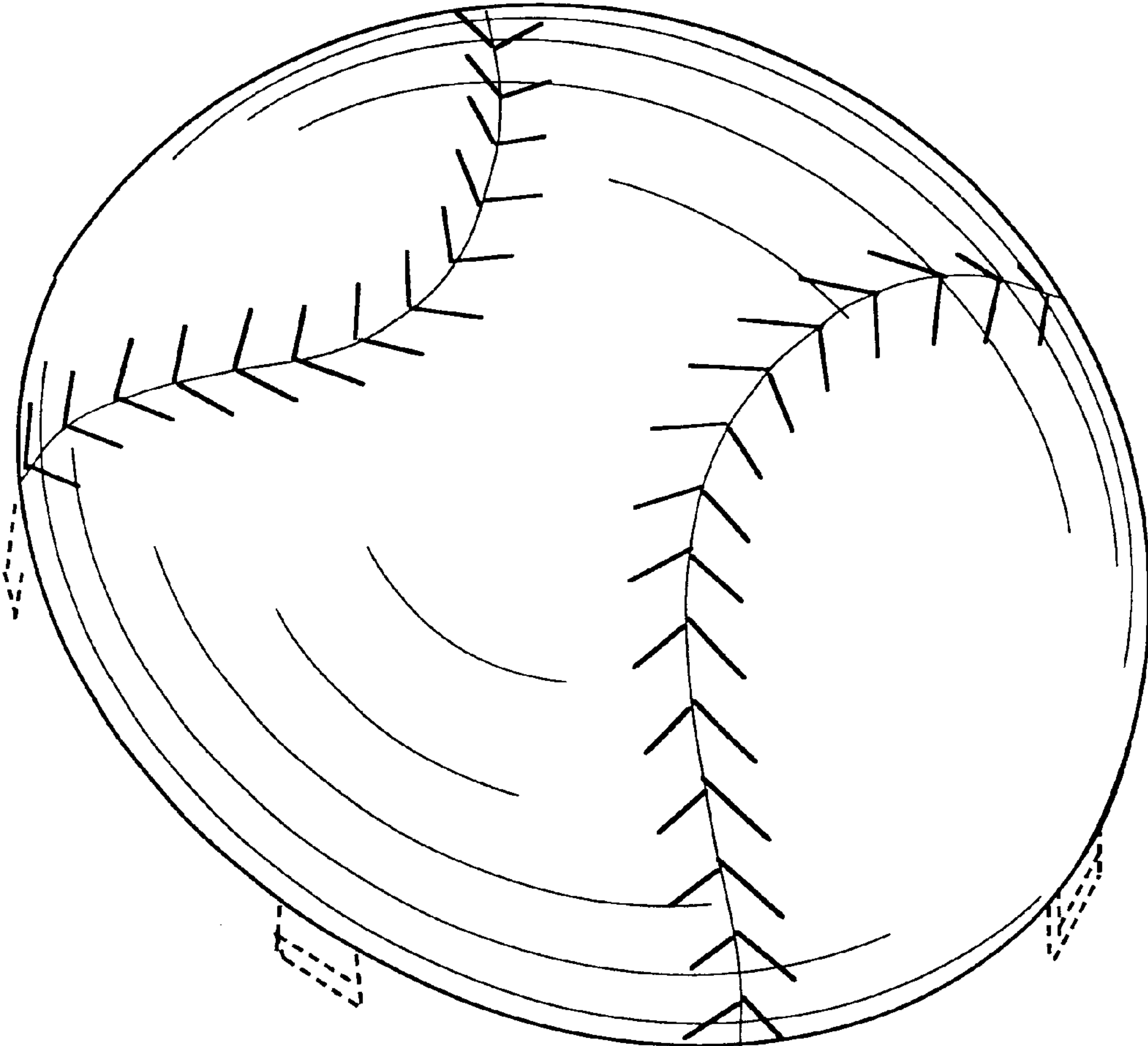


FIG. 1

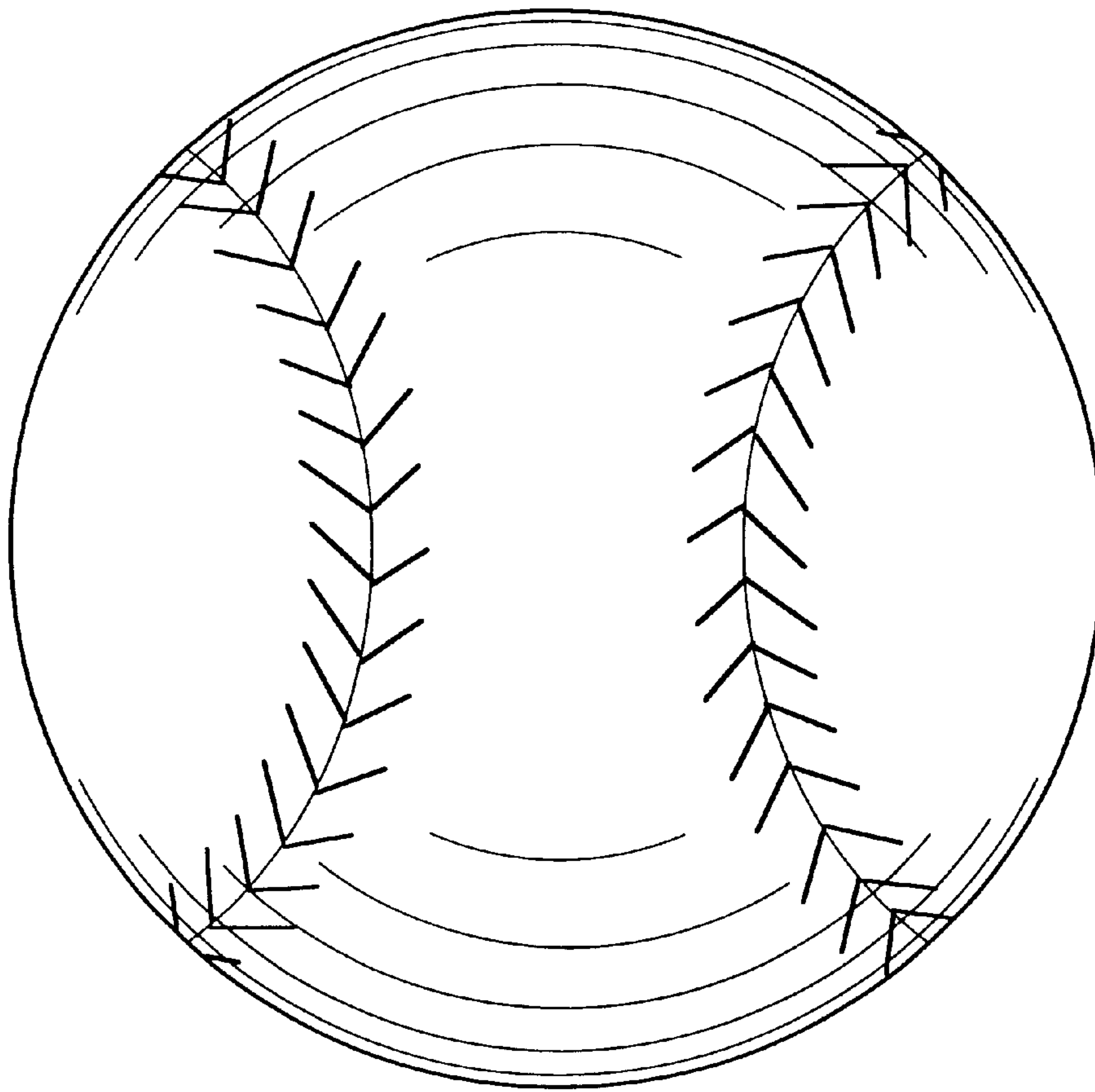


FIG. 2

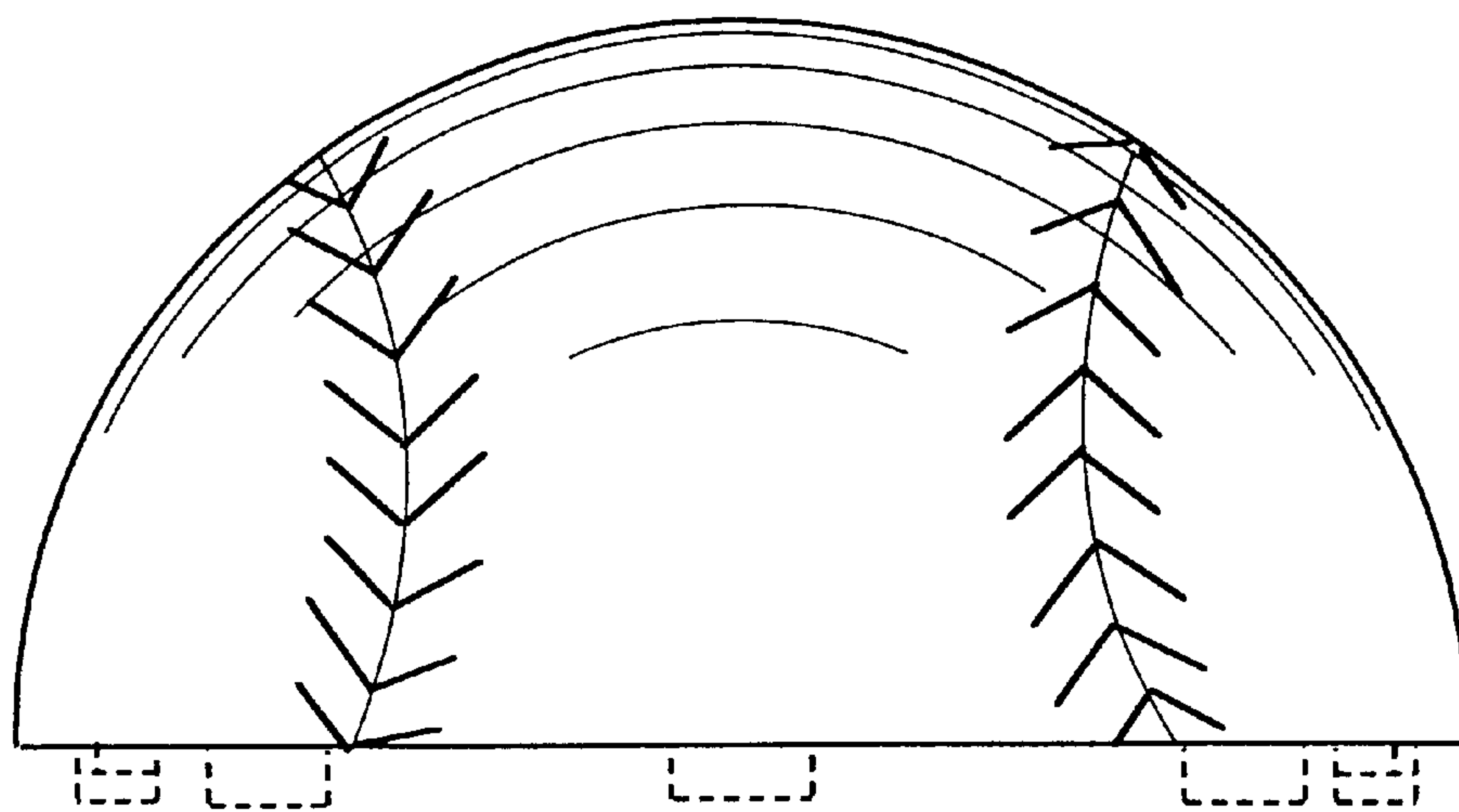


FIG. 3

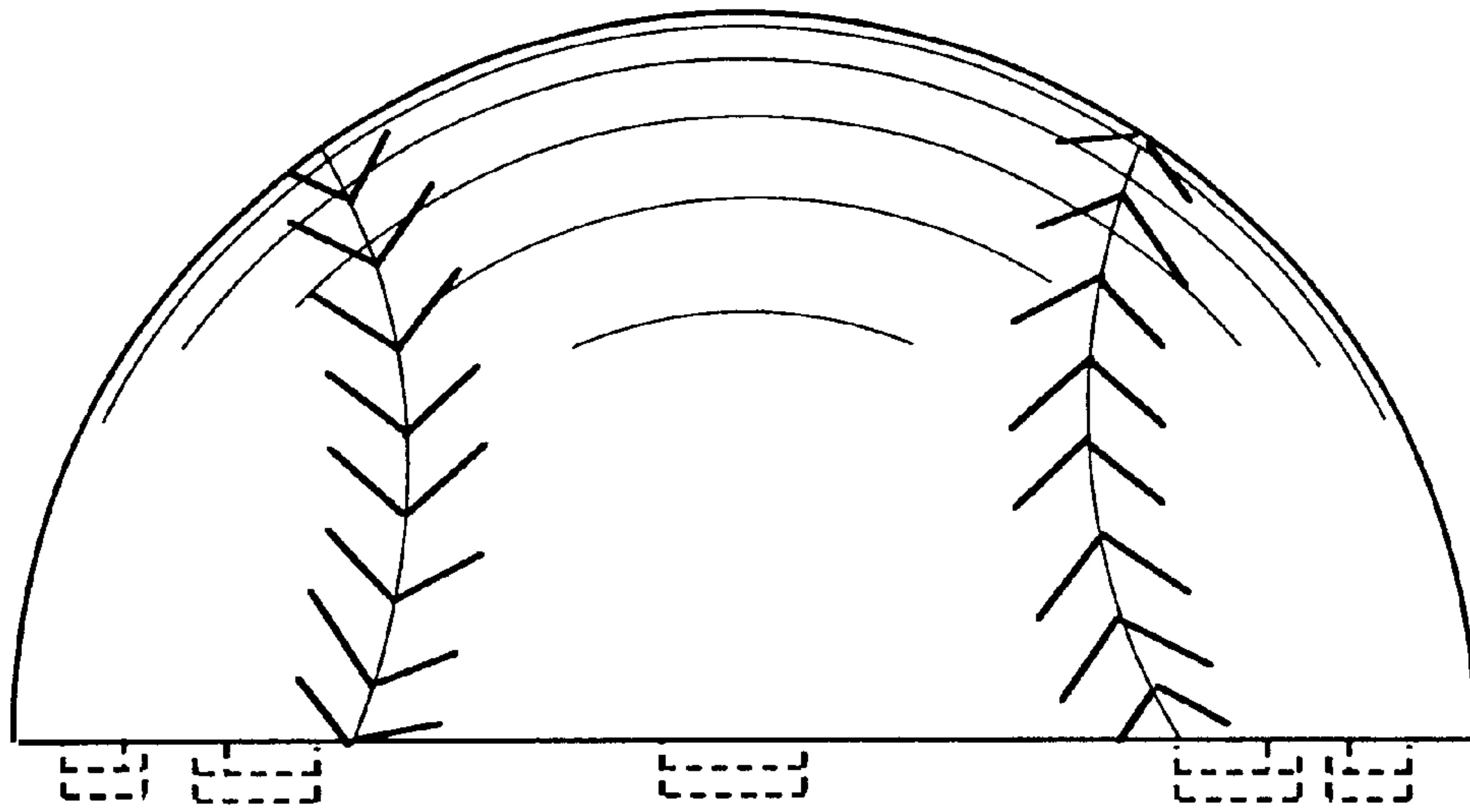


FIG. 4

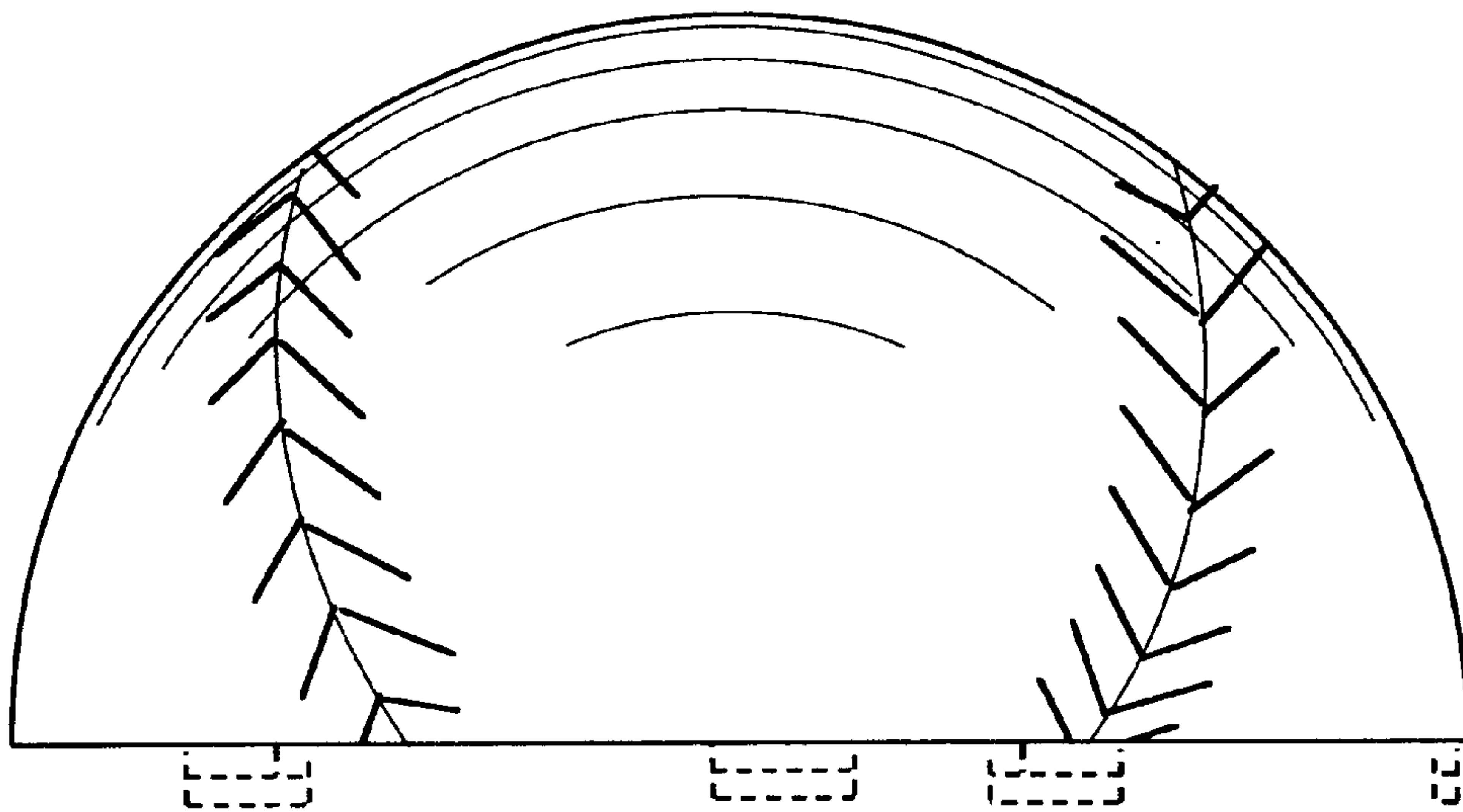


FIG. 5

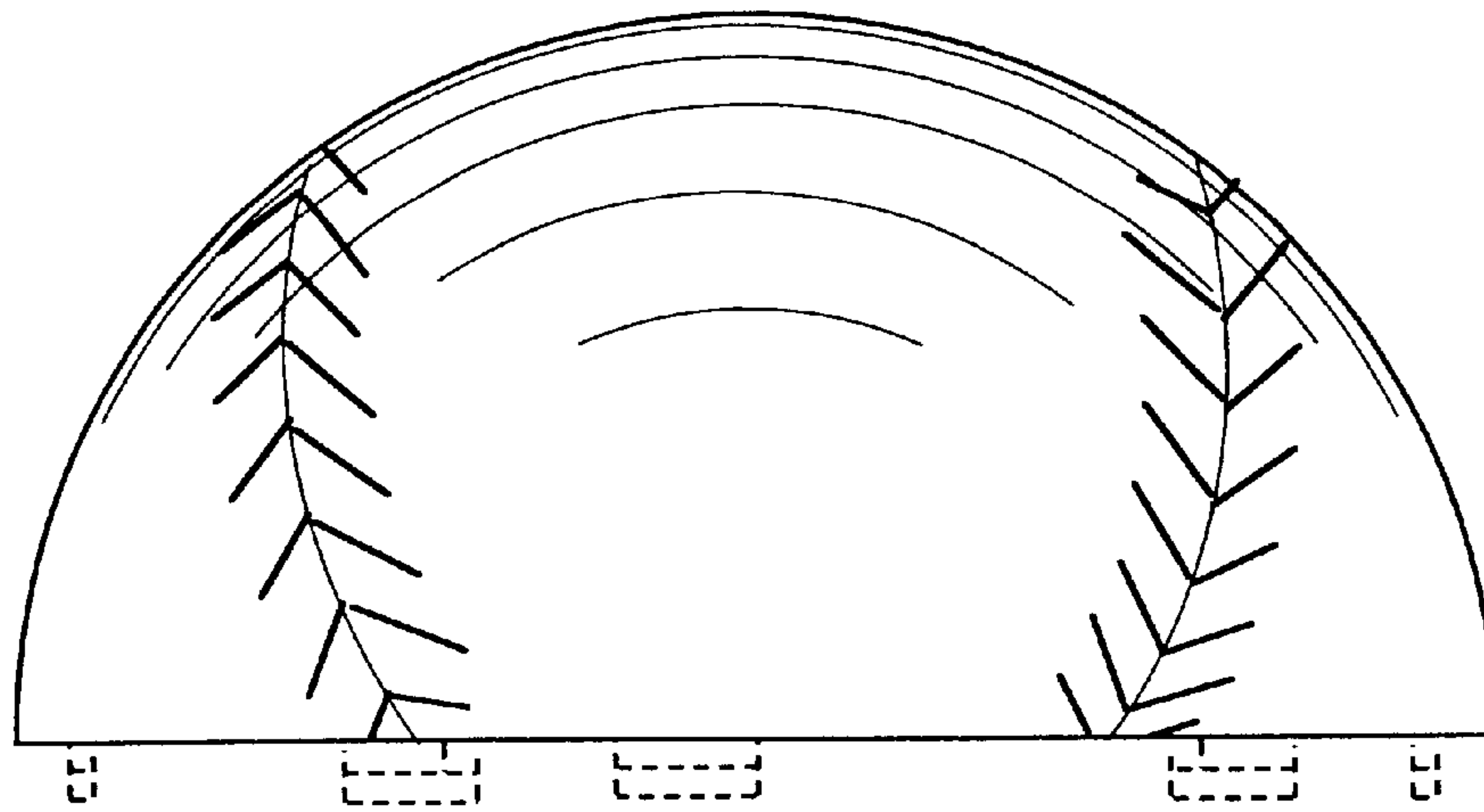


FIG. 6



FIG. 7

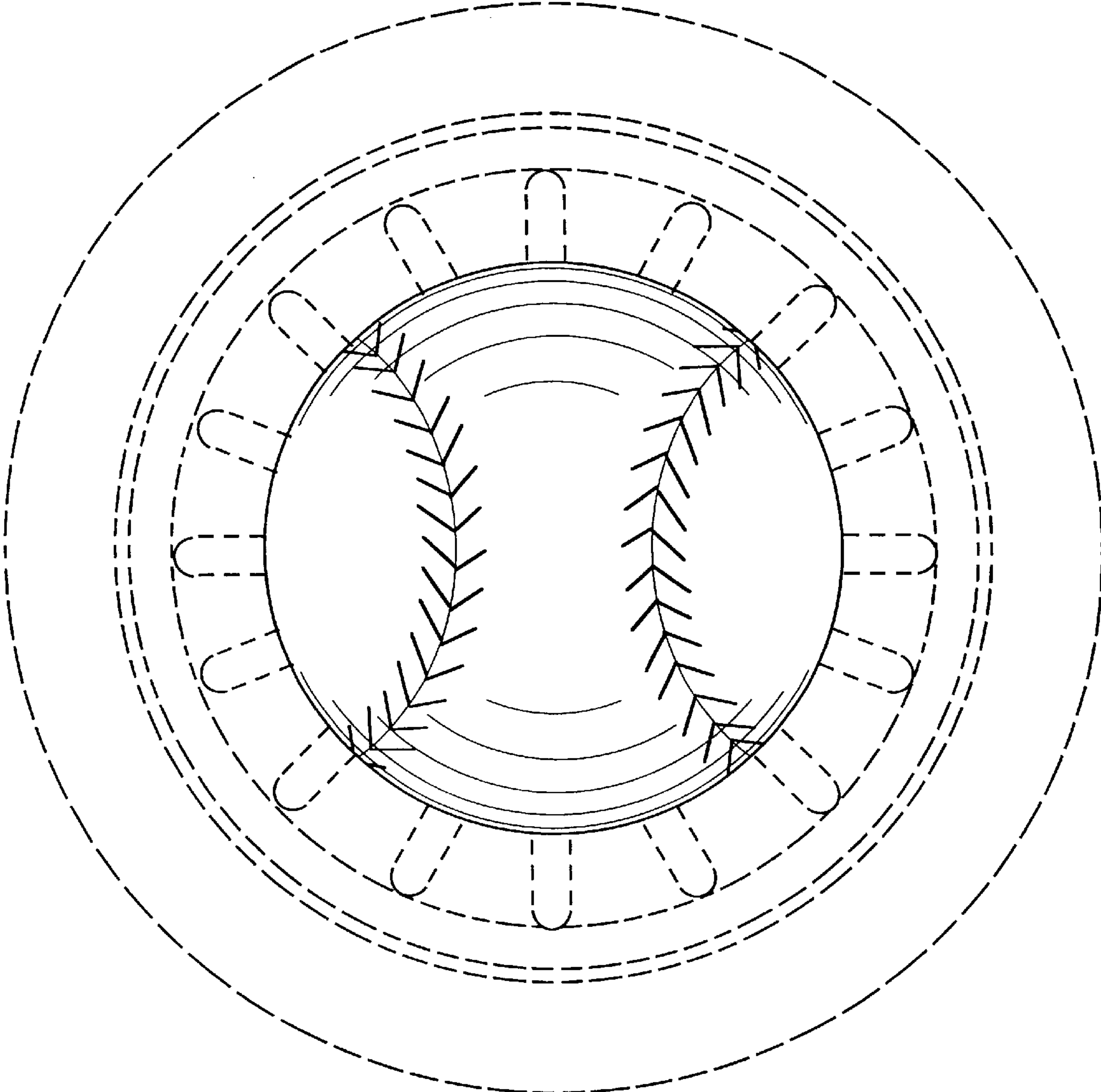


FIG. 8