

US00D492232S1

(12) **United States Design Patent**
Schultz

(10) **Patent No.:** **US D492,232 S**
(45) **Date of Patent:** **** Jun. 29, 2004**

- (54) **INSTRUMENT DISPLAY**
- (76) **Inventor:** **James Schultz**, 211 Sandy Point La.,
Lake Zurich, IL (US) 60047
- (**) **Term:** **14 Years**
- (21) **Appl. No.:** **29/195,190**
- (22) **Filed:** **Dec. 8, 2003**
- (51) **LOC (7) Cl.** **12-16**
- (52) **U.S. Cl.** **D12/192**
- (58) **Field of Search** D12/192; 180/90;
280/750-752; 296/190-191, 70; D10/46,
102, 98, 122-127

D483,309 S * 12/2003 Wyszogrod D12/192
D484,081 S * 12/2003 Day D12/192

* cited by examiner

Primary Examiner—Stacia Cadmus
(74) *Attorney, Agent, or Firm*—Fitch, Even, Tabin &
Flannery

(57) **CLAIM**

The ornamental design for an instrument display, as shown and described.

DESCRIPTION

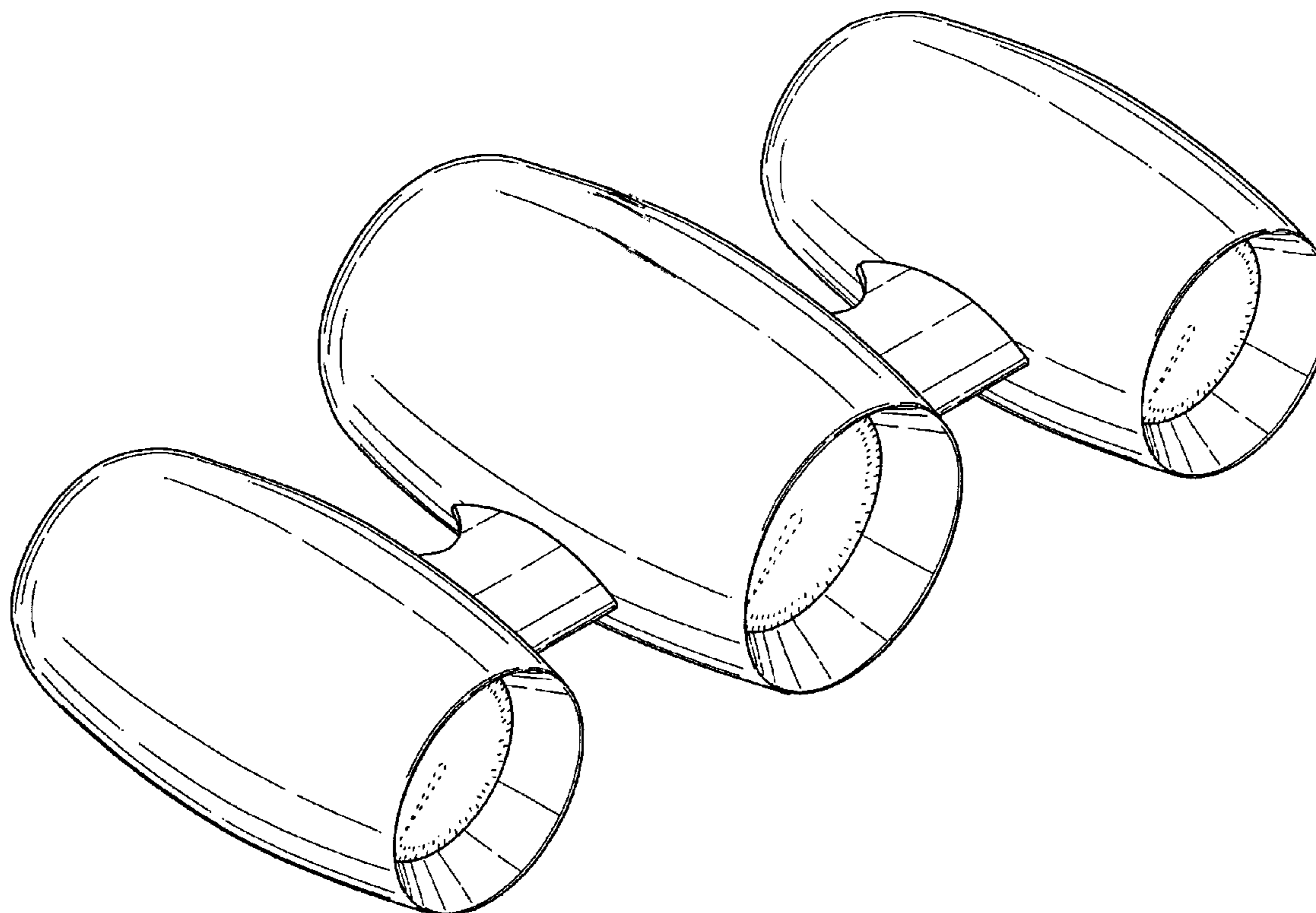
FIG. 1 is a perspective view of an instrument display of my new design with accompanying instruments in phantom; FIG. 2 is a top plan view thereof, whereof a bottom plan view is a mirror image; FIG. 3 is a left side elevational view thereof, whereof a right side elevational view is a mirror image; FIG. 4 is a front side elevational view thereof; and, FIG. 5 is a rear side elevational view thereof. The broken line showing of environment is for illustrative purposes only and forms no part of the claimed design.

(56) **References Cited**

U.S. PATENT DOCUMENTS

- D198,279 S * 5/1964 Karbo D12/192
- D279,975 S * 8/1985 Akira et al. D12/192
- D440,925 S * 4/2001 Pfeiffer D12/192
- D461,437 S * 8/2002 Hofmann et al. D12/192
- D467,844 S * 12/2002 Preston D12/192
- D467,845 S * 12/2002 Pfeiffer et al. D12/192
- D476,276 S * 6/2003 Day D12/192

1 Claim, 4 Drawing Sheets



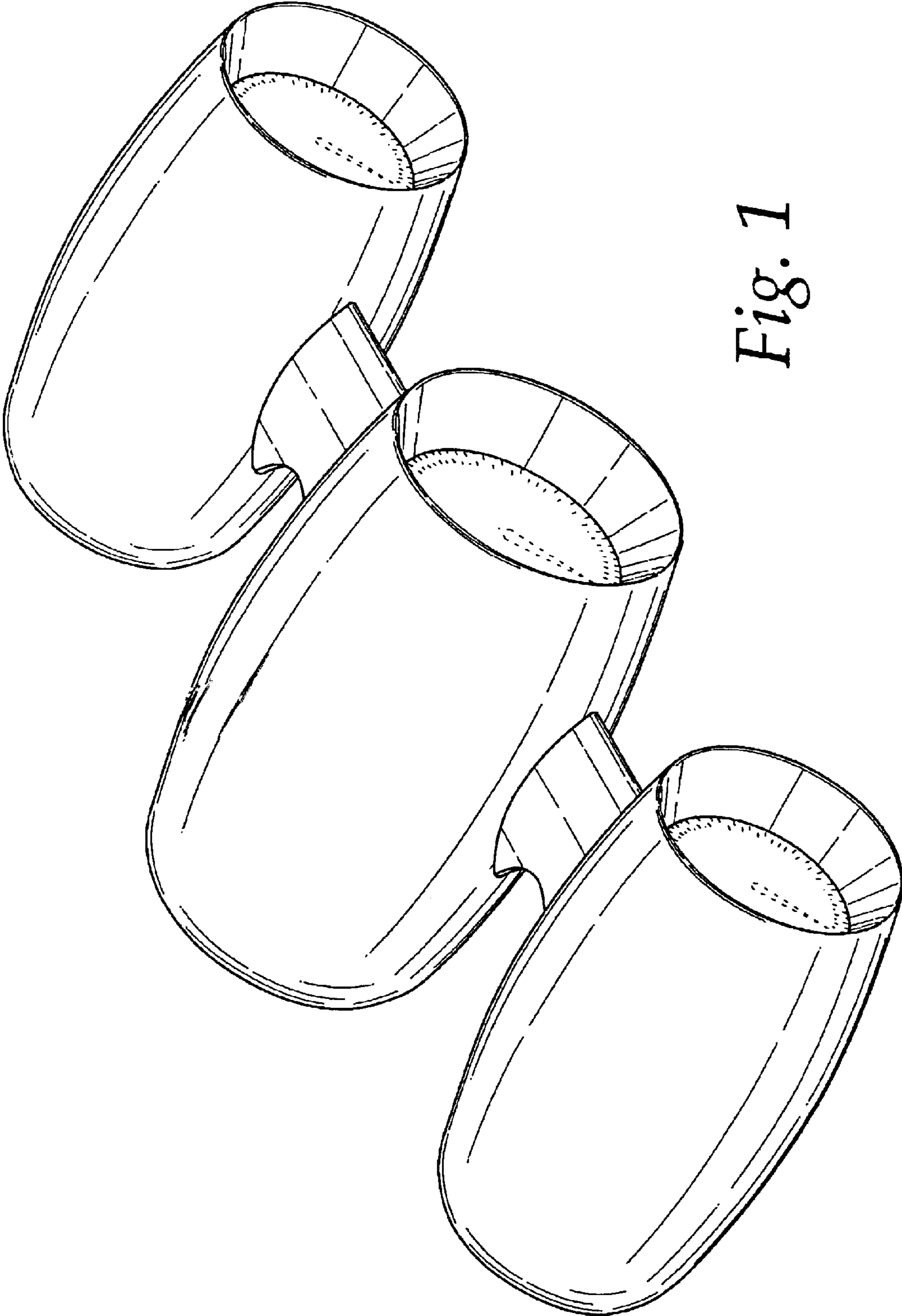


Fig. 1

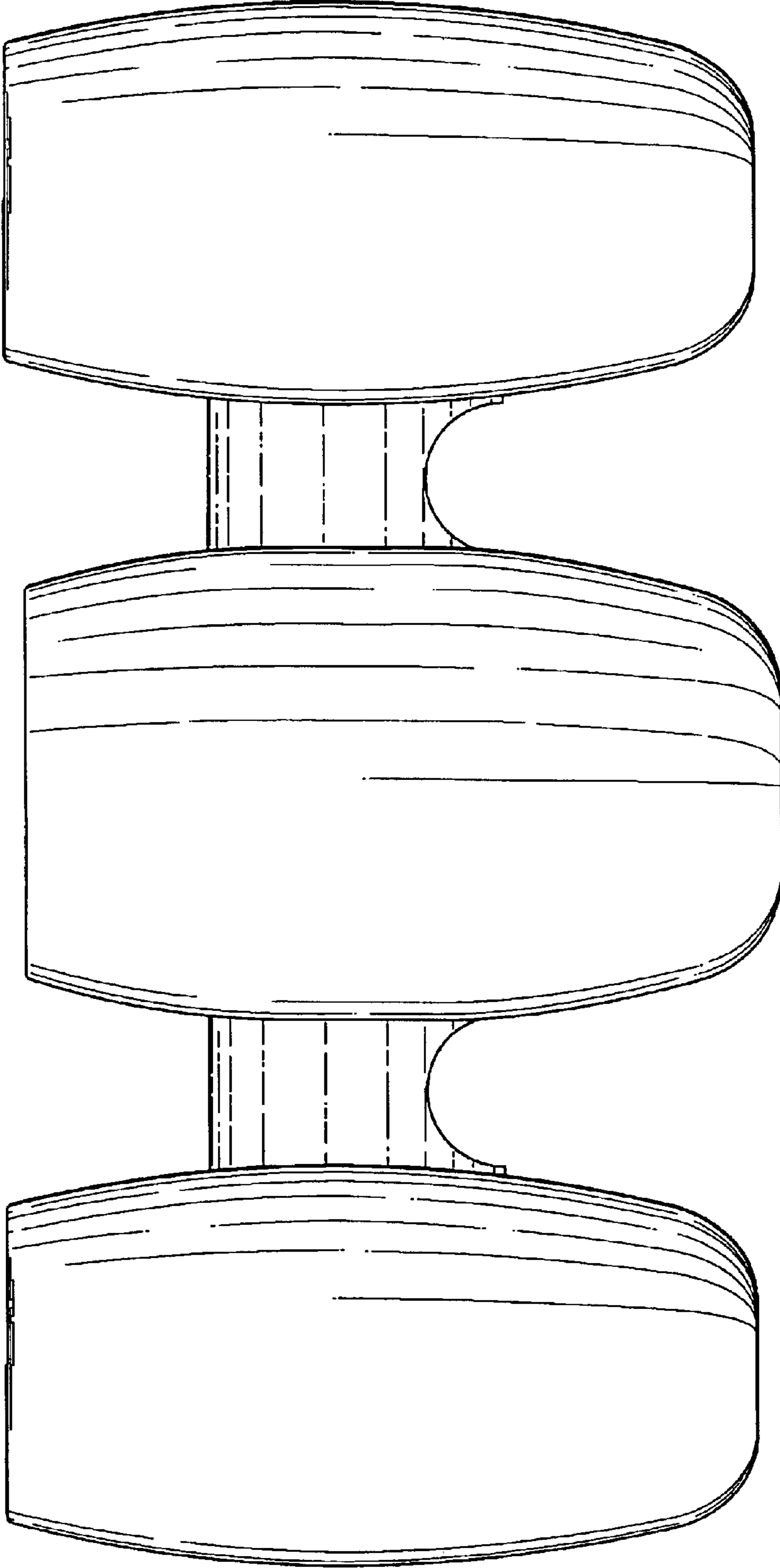


Fig. 2

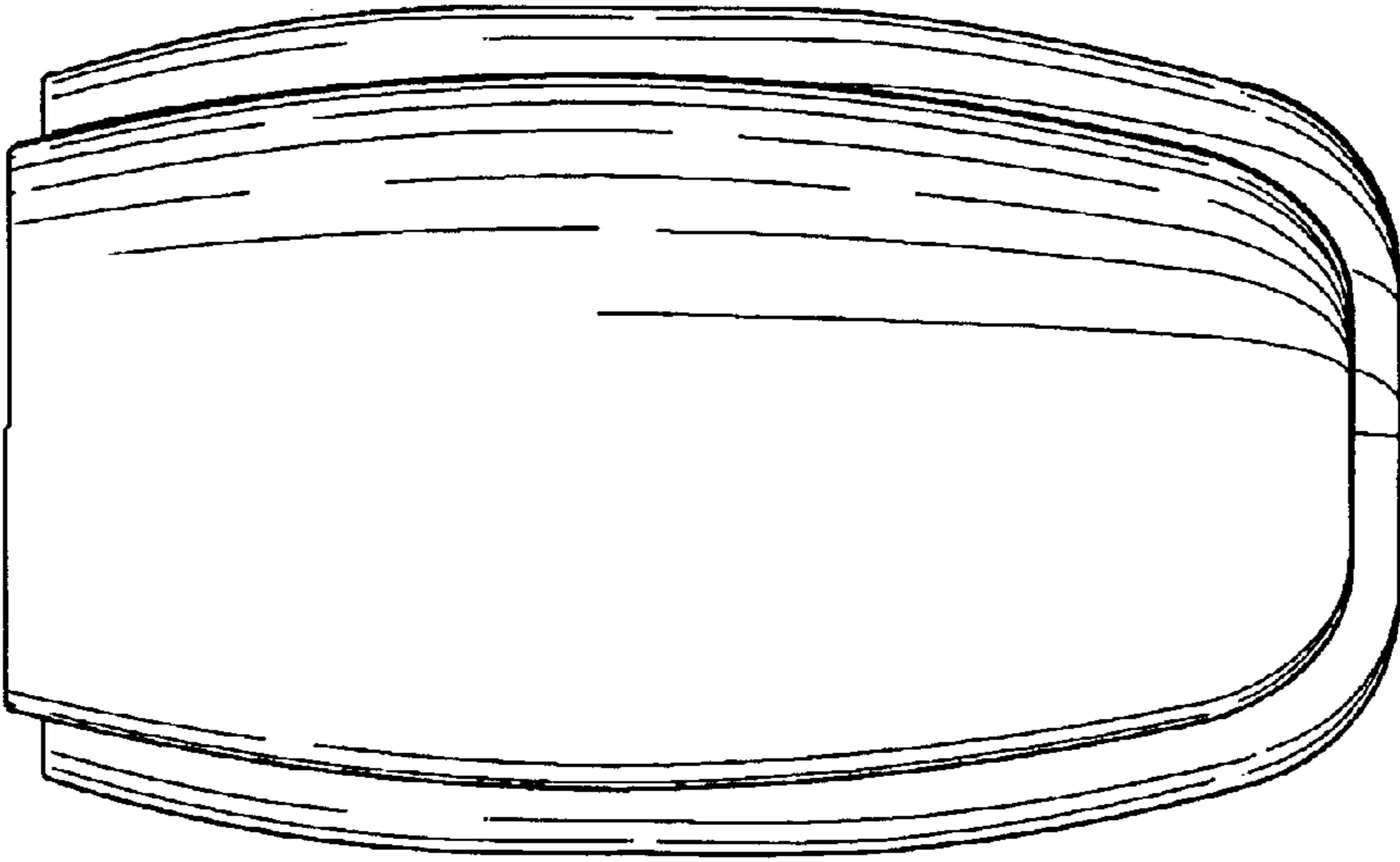


Fig. 3

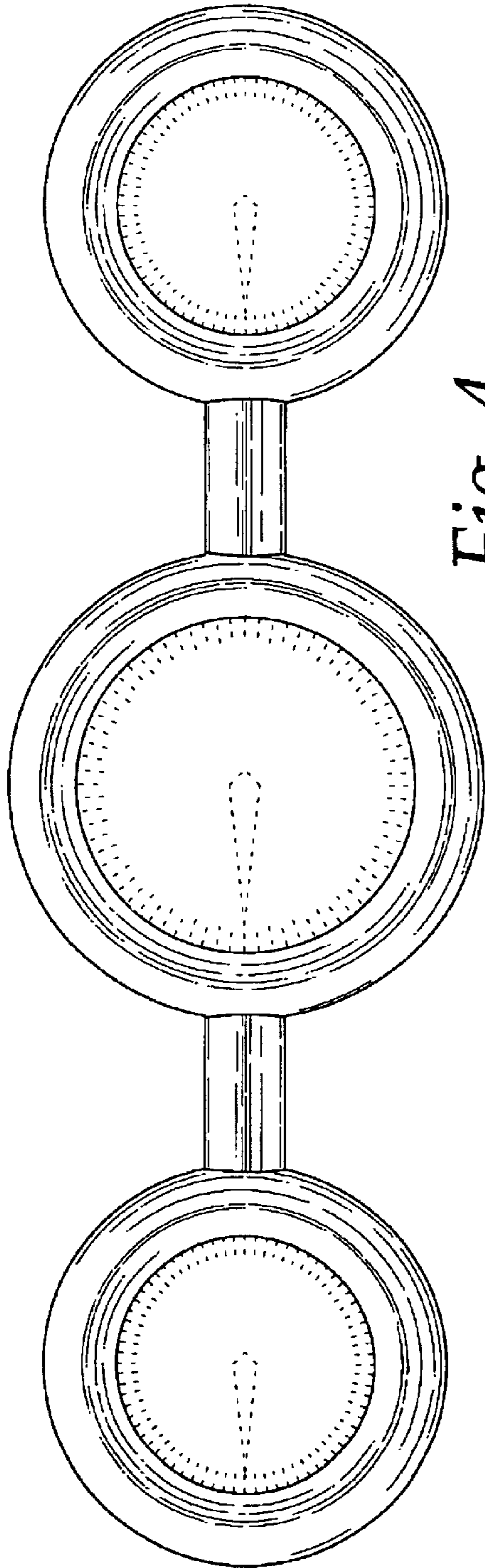


Fig. 4

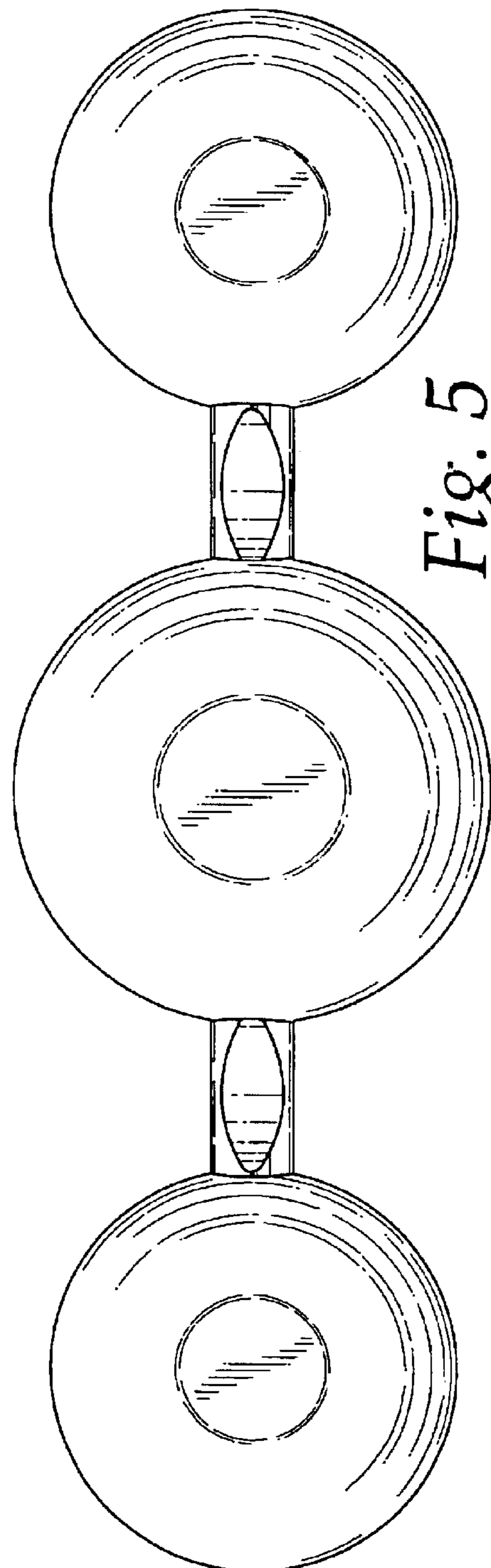


Fig. 5