

US00D492230S1

(12) **United States Design Patent**  
**Berger**

(10) **Patent No.:** **US D492,230 S**  
(45) **Date of Patent:** **\*\* Jun. 29, 2004**

(54) **AUXILIARY VEHICLE MIRROR**

(75) Inventor: **Russell Berger**, Needham, MA (US)

(73) Assignee: **Constance F. Berger**, Naples, FL (US)

(\*\*) Term: **14 Years**

(21) Appl. No.: **29/181,686**

(22) Filed: **May 14, 2003**

(51) **LOC (7) Cl.** ..... **12-16**

(52) **U.S. Cl.** ..... **D12/187**

(58) **Field of Search** ..... D12/187-189;  
D6/300-303; 359/830-856, 864-881; 248/475.1,  
476

(56) **References Cited**

**U.S. PATENT DOCUMENTS**

D390,523 S	*	2/1998	Bradley	.....	D12/187
D402,949 S	*	12/1998	Marguerie	.....	D12/187
D405,039 S	*	2/1999	Kiser	.....	D12/189
D425,001 S	*	5/2000	Bullock	.....	D12/188
D426,182 S	*	6/2000	Brown	.....	D12/189
D450,643 S	*	11/2001	Terzano	.....	D12/187

\* cited by examiner

*Primary Examiner*—Melody N. Brown

(74) *Attorney, Agent, or Firm*—Barlow, Josephs & Holmes, Ltd.

(57) **CLAIM**

The ornamental design for an auxiliary vehicle mirror, as shown and described.

**DESCRIPTION**

FIG. 1 is a perspective view of an auxiliary vehicle mirror; the broken lines being of an attachment strap which forms no part of the invention;

FIG. 2 is a front elevational view thereof;

FIG. 3 is a left side elevational view thereof; the right side elevational view being a mirror image thereof;

FIG. 4 is a top view thereof;

FIG. 5 is a bottom view thereof;

FIG. 6 is a perspective view of the auxiliary vehicle mirror of FIG. 1 installed on a vehicle seat; the broken lines forming no part of the invention;

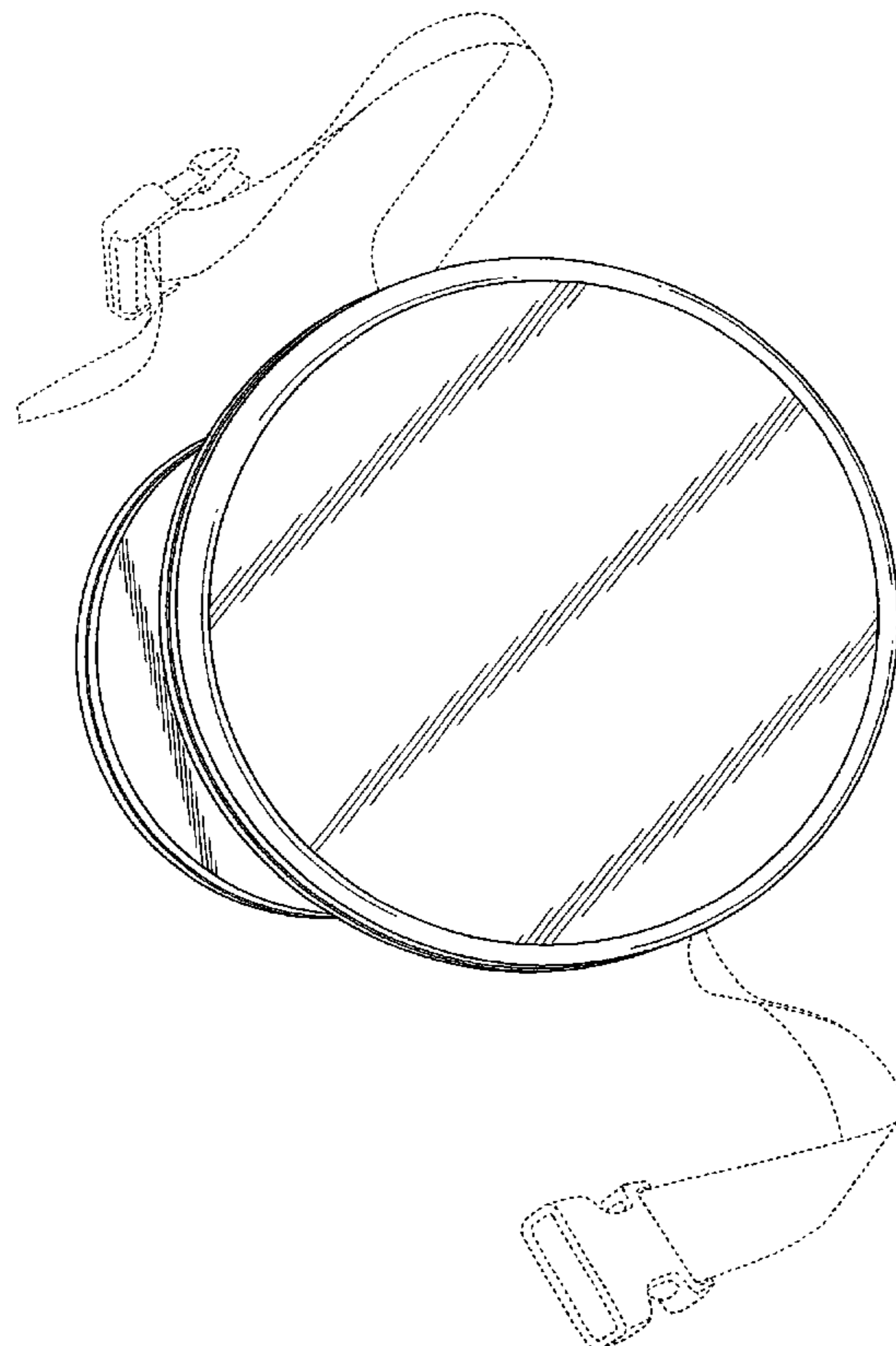
FIG. 7 is perspective view of a second embodiment of the auxiliary vehicle mirror of the present invention;

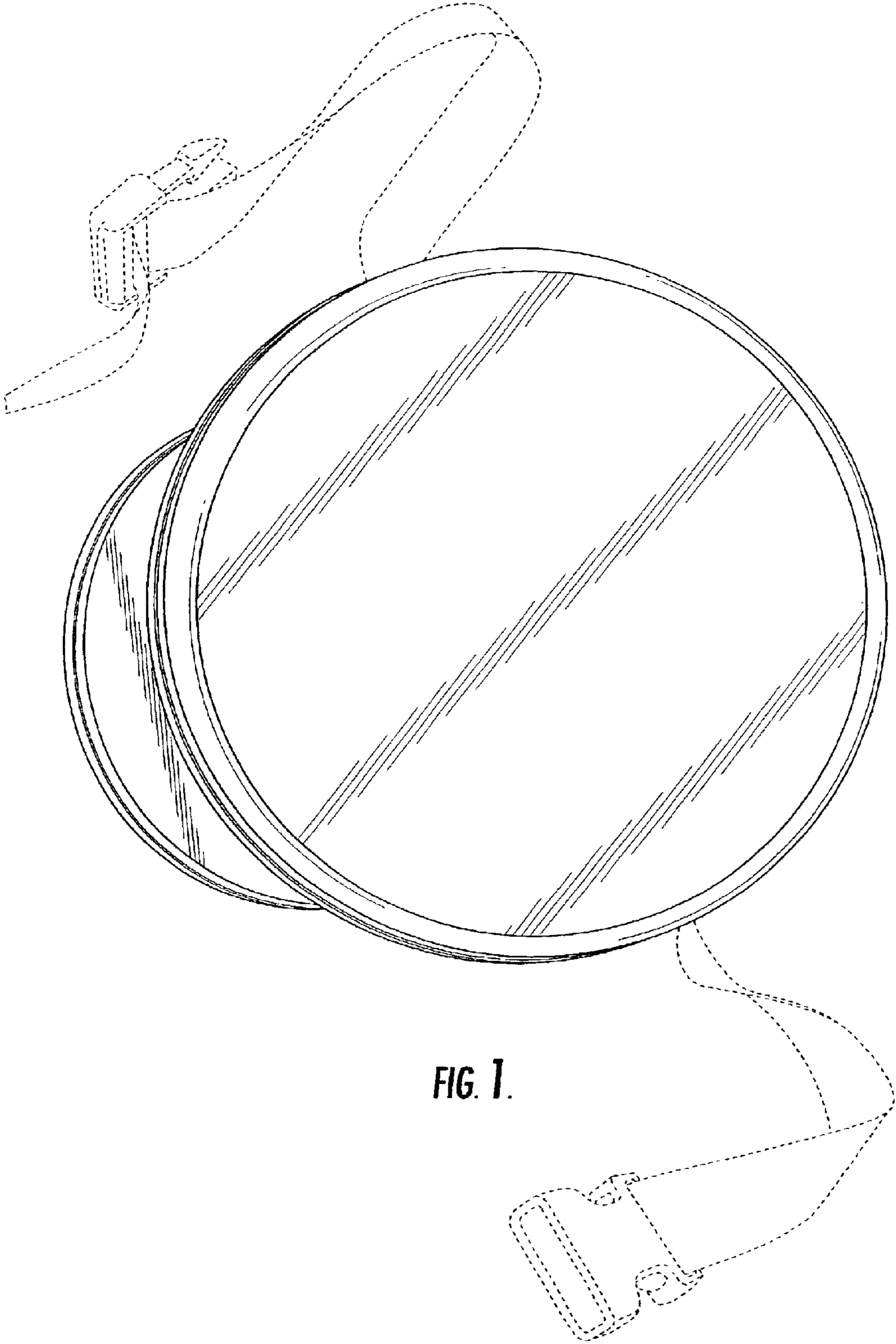
FIG. 8 is perspective view of a third embodiment of the auxiliary vehicle mirror of the present invention; and,

FIG. 9 is perspective view of a fourth embodiment of the auxiliary vehicle mirror of the present invention.

The details of the mirror support base shown in embodiments 2-4 in FIGS. 7-9 have the exact same appearance as in embodiment 1 in FIGS. 1-6.

**1 Claim, 9 Drawing Sheets**





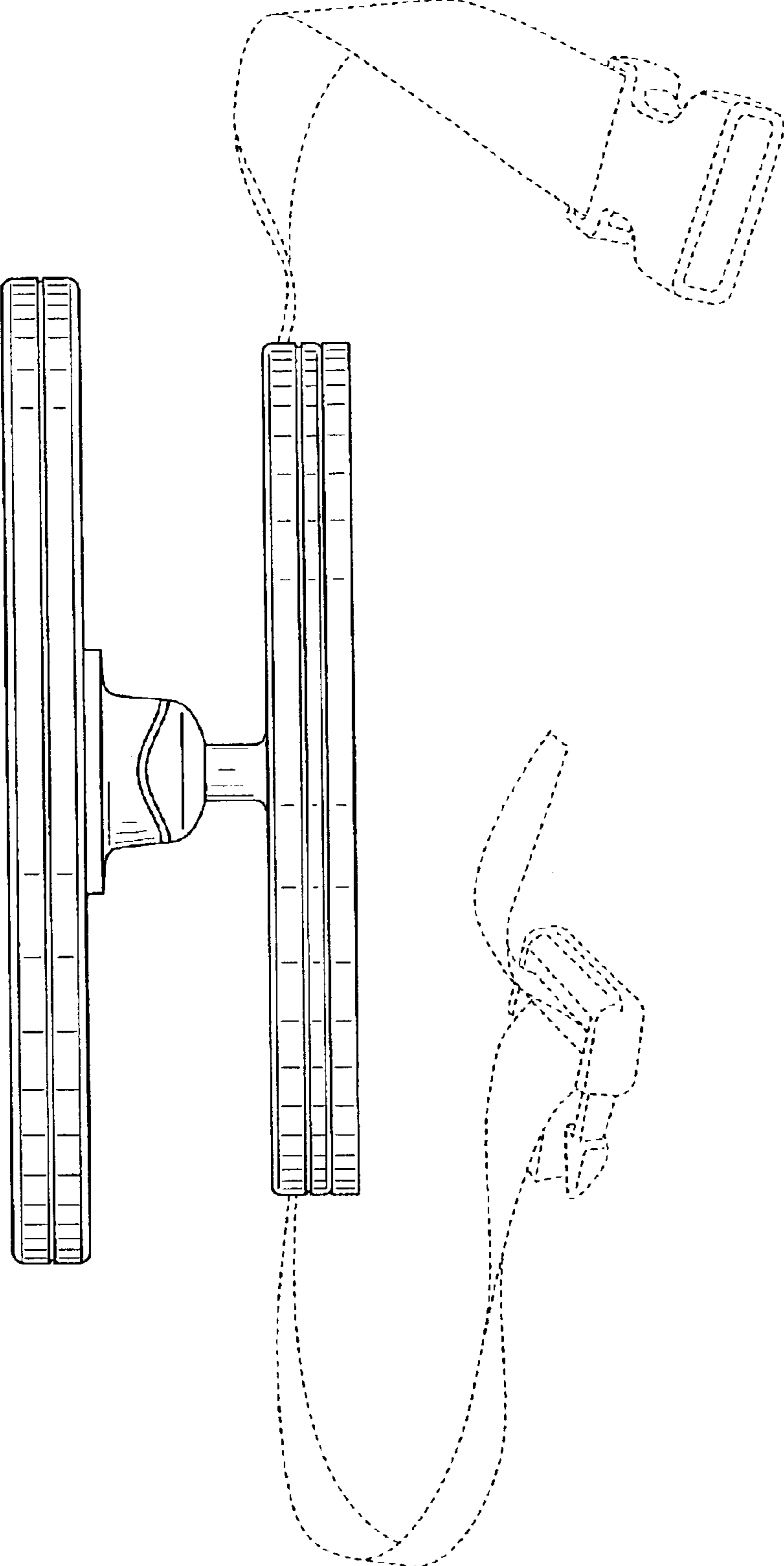
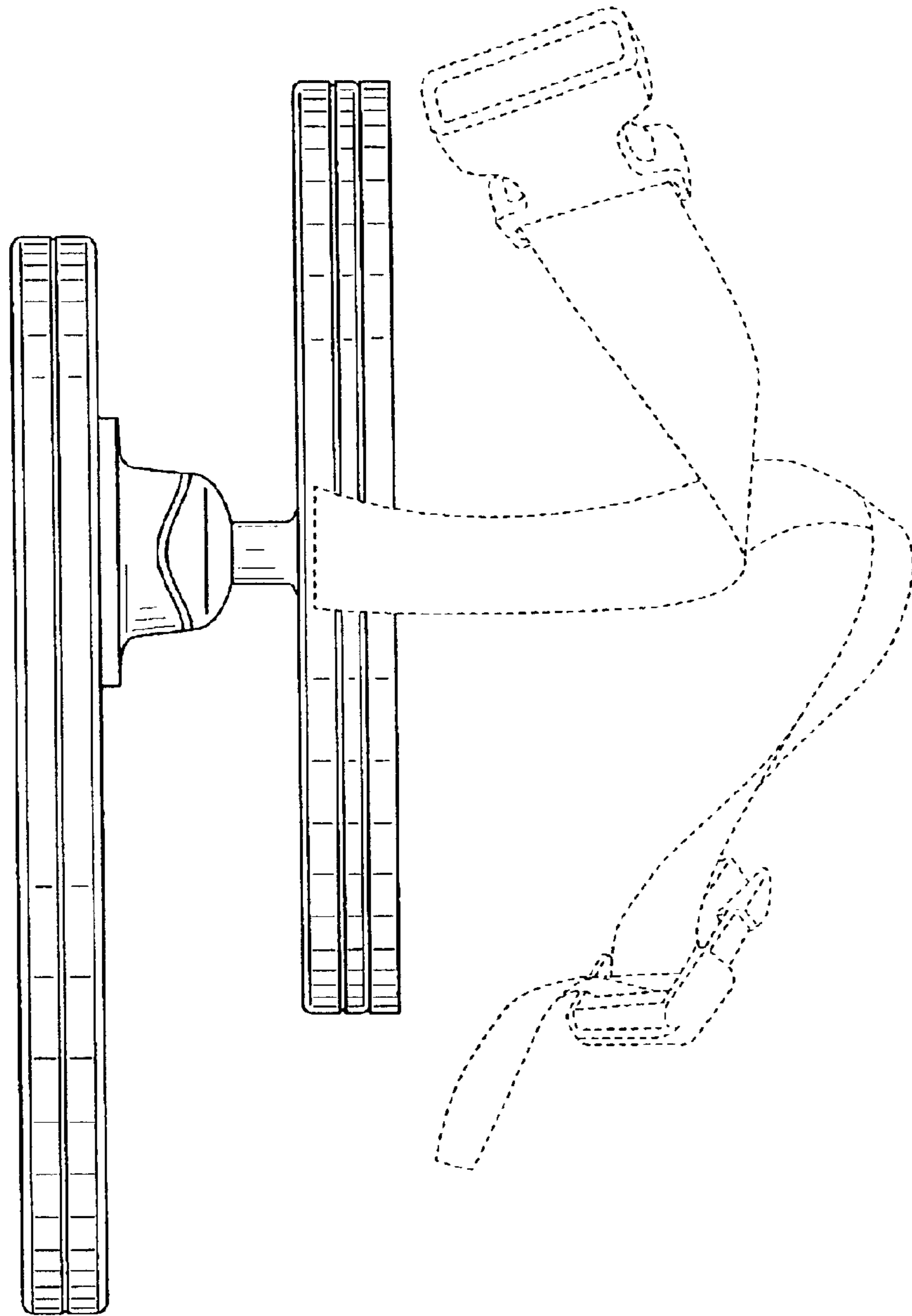


FIG. 2.



**FIG. 3.**

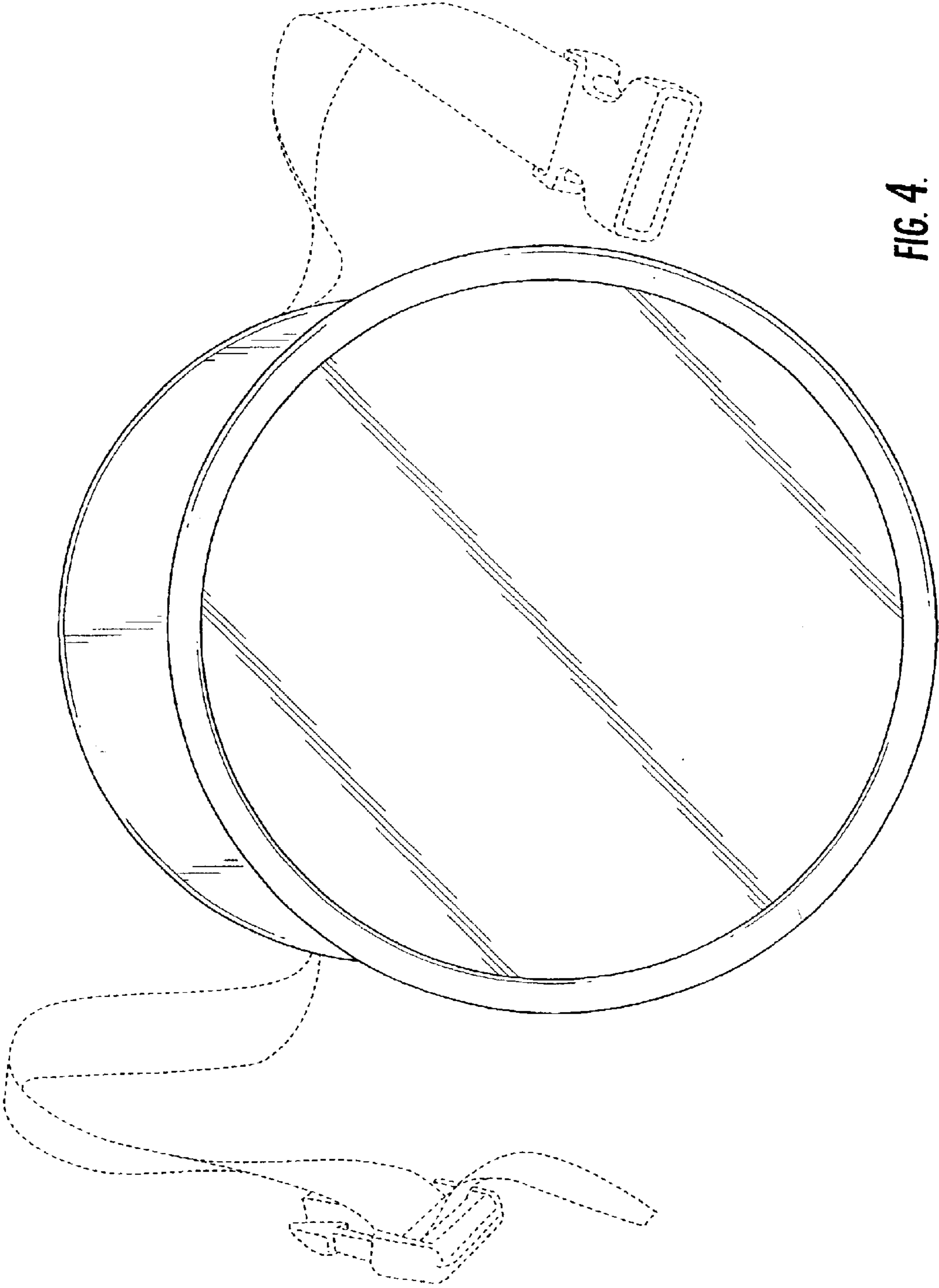


FIG. 4.

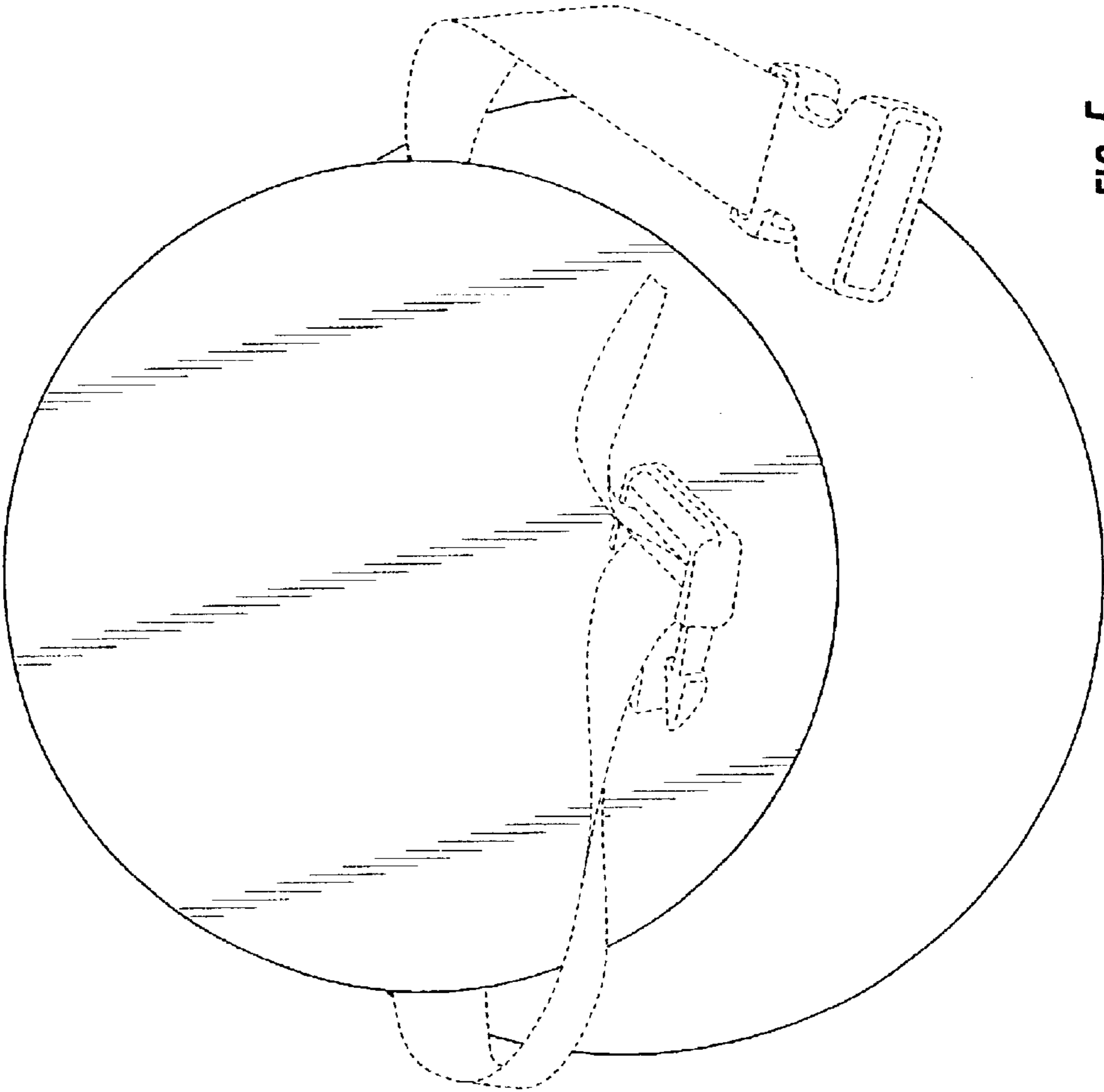


FIG. 5.

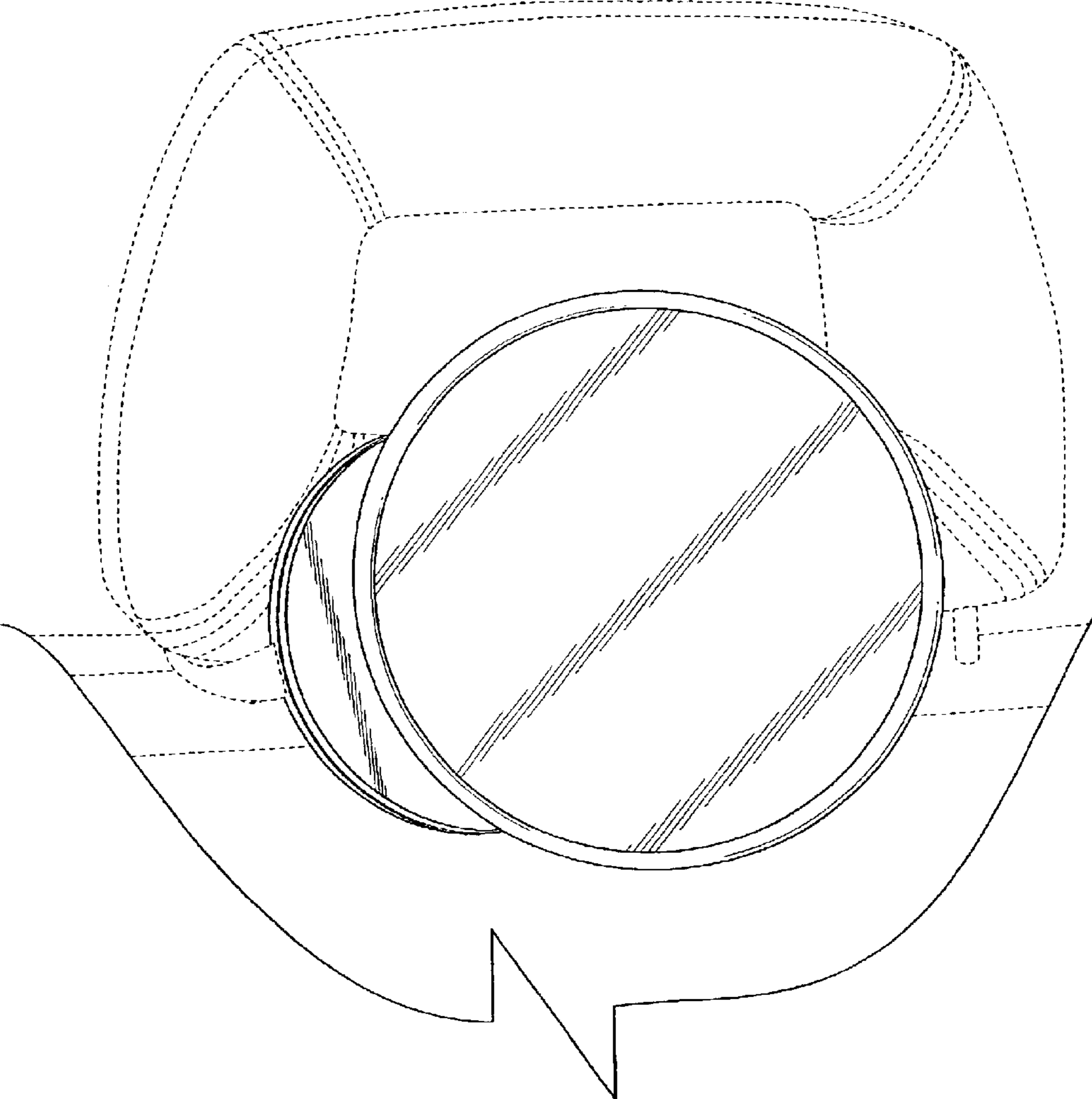


FIG. 6.

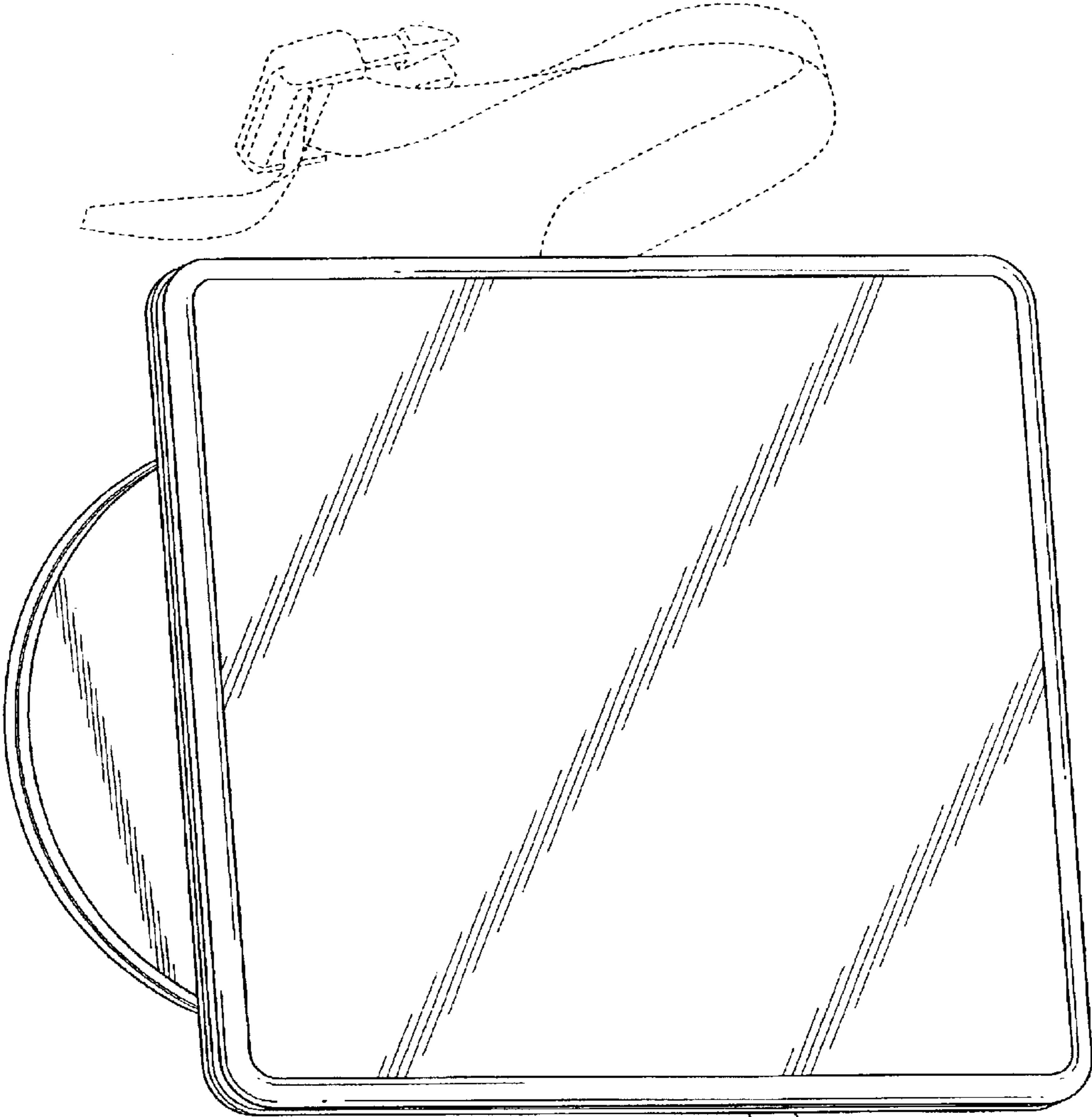
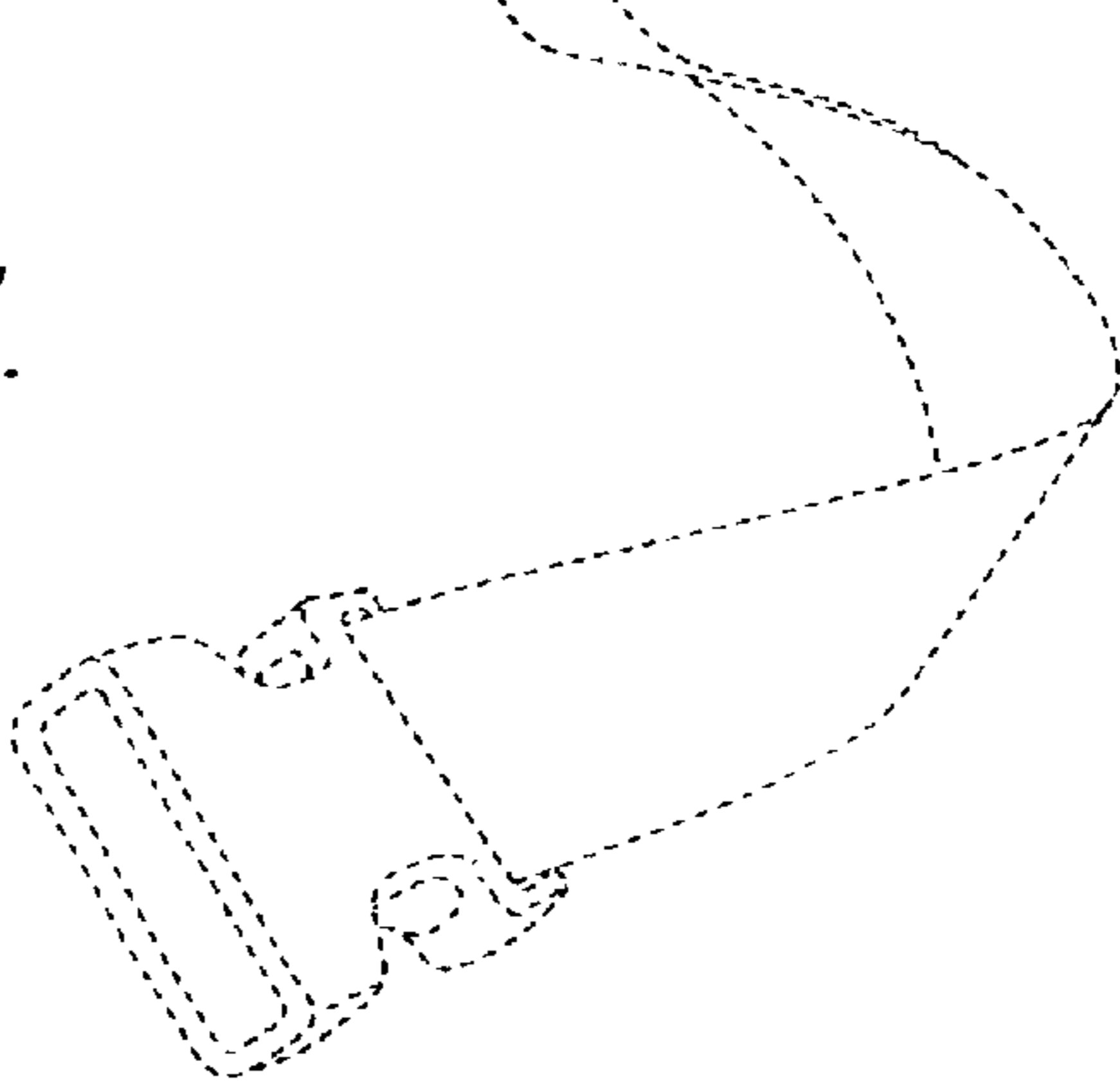


FIG. 7.





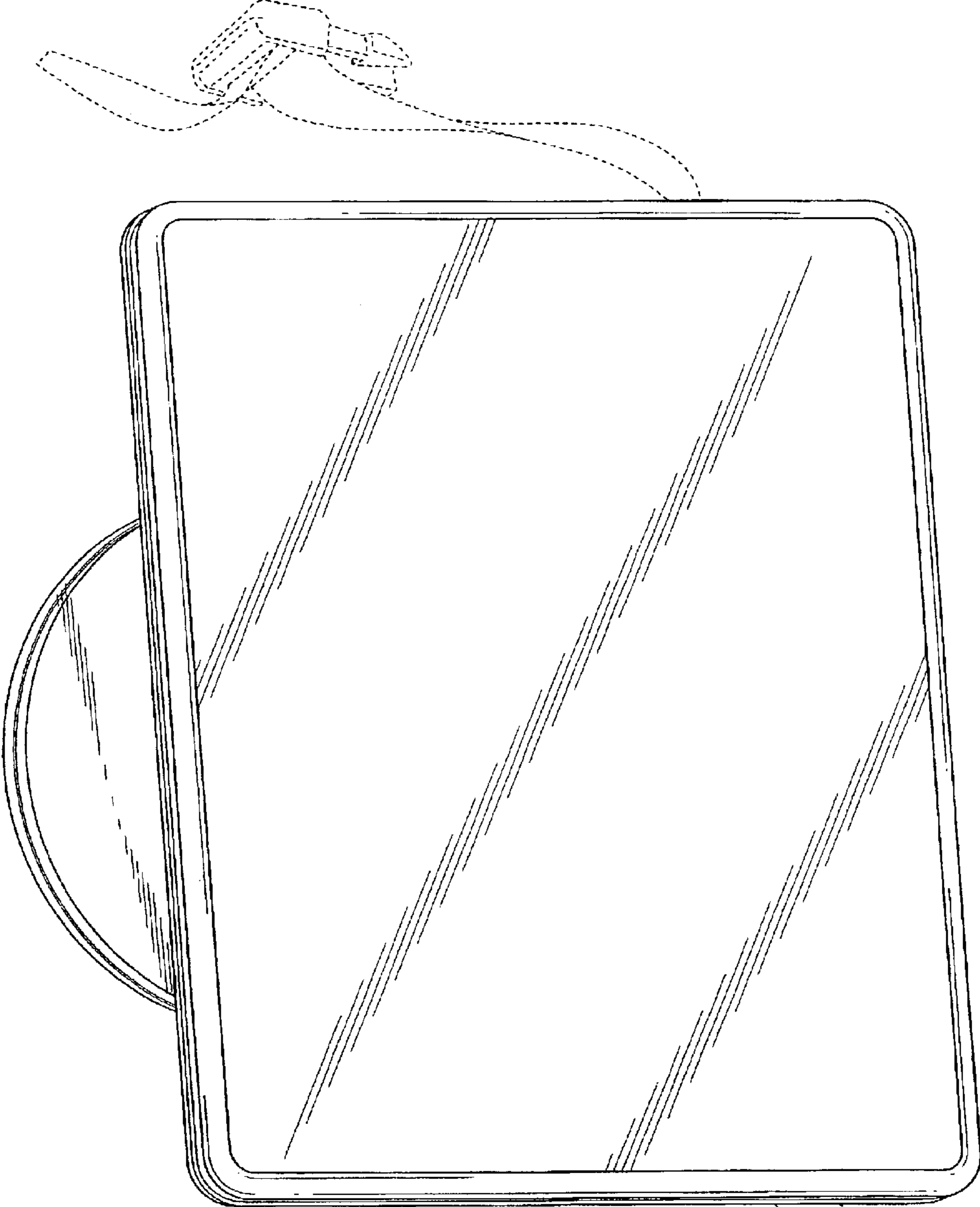
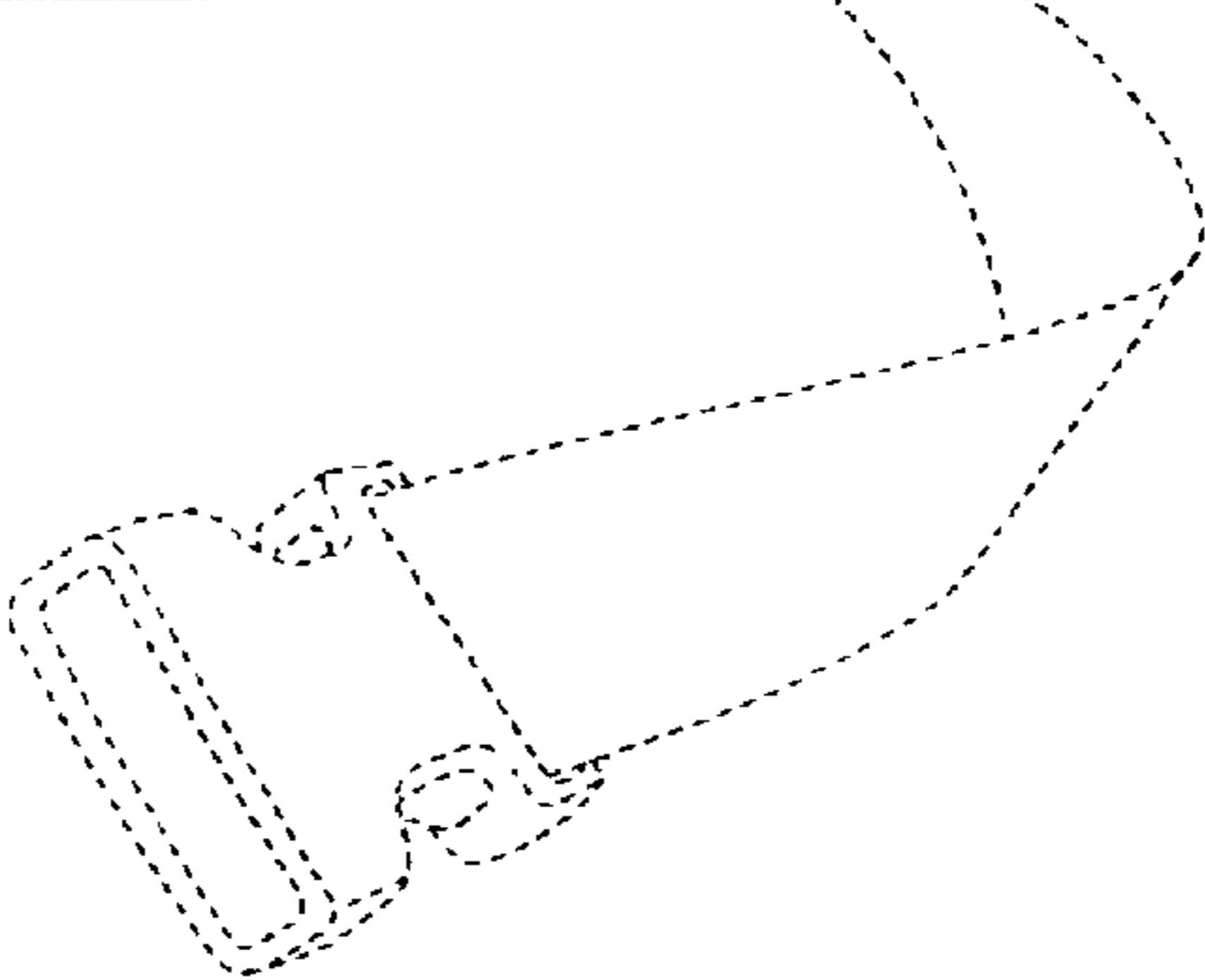


FIG. 8.



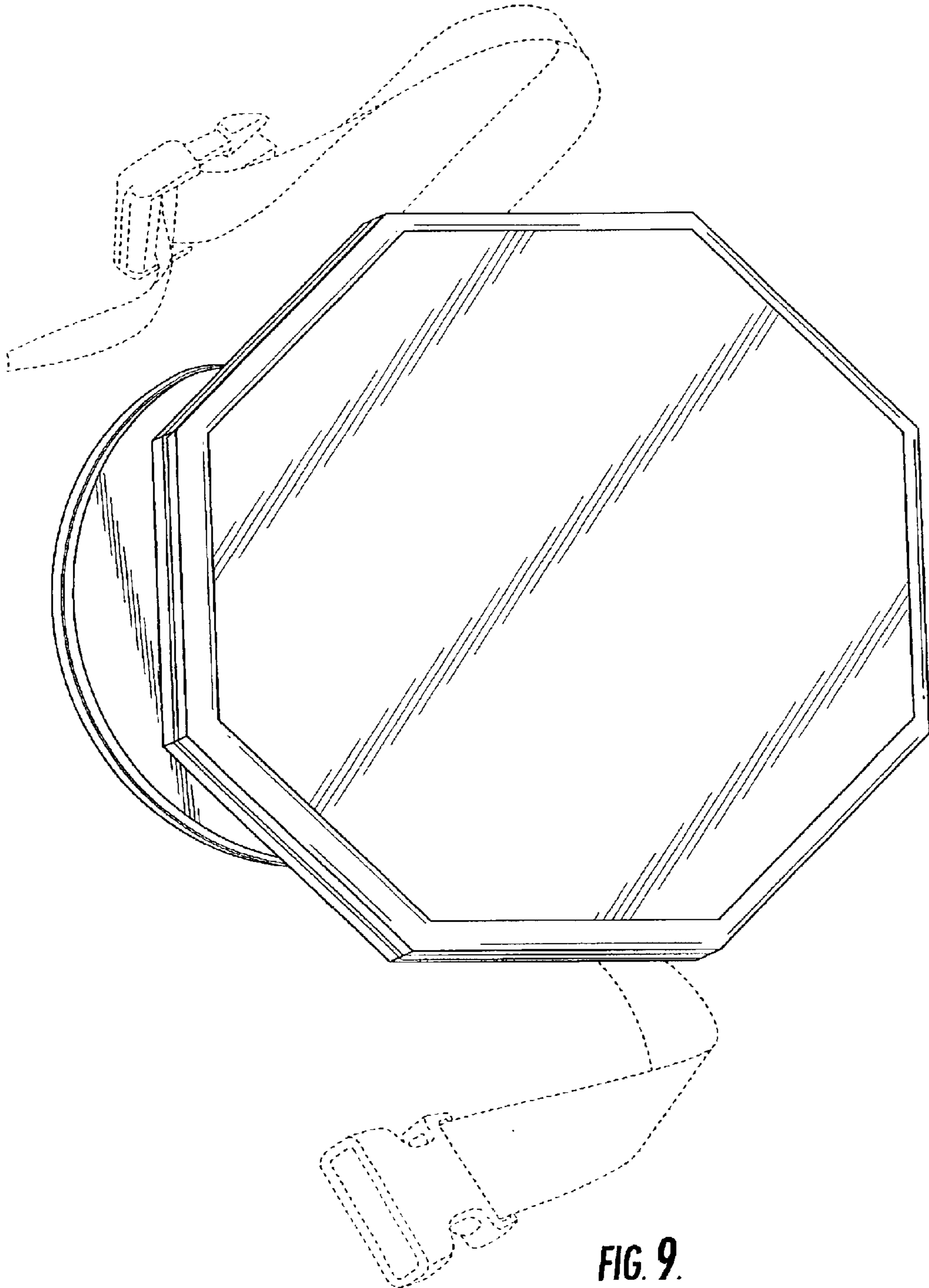


FIG. 9.