



US00D492224S1

(12) **United States Design Patent**  
**Bailey et al.**

(10) **Patent No.:** **US D492,224 S**  
(45) **Date of Patent:** **\*\* Jun. 29, 2004**

(54) **LOW PROFILE GEARCOVER**

(75) Inventors: **Jeffrey J. Bailey**, Richland Center, WI (US); **Jason A. Thurow**, Wilton, WI (US); **Scott Sjovall**, Cashton, WI (US)

(73) Assignee: **S & S Cycle, Incorporated**, Viola, WI (US)

(\*\*) Term: **14 Years**

(21) Appl. No.: **29/177,074**

(22) Filed: **Mar. 4, 2003**

(51) **LOC (7) Cl.** ..... **12-11**

(52) **U.S. Cl.** ..... **D12/126**

(58) **Field of Search** ..... D12/110, 114,  
D12/126; 180/219; 280/288.4, 304.3; 123/90.37,  
90.38, 195 C, 198 E; D15/5

(56) **References Cited**

**U.S. PATENT DOCUMENTS**

D364,129 S	11/1995	Davidson et al.
D376,567 S	12/1996	Davidson et al.
D411,489 S	6/1999	Davidson et al.
D411,817 S	7/1999	Davidson et al.

**OTHER PUBLICATIONS**

Biker's Choice 2000 Handbook, 'Smooth Moves' cam covers by Cory Ness on p. 123.\*  
"S&S Cycle Catalog No. 13," *S&S Cycle, Inc., Viola, Wi*, Front cover, pp. 6-19 to 6-21 and p. 11-22, back cover (Feb. 2002).

Photos of presently claimed low profile gearcover and a prior art gearcover, 3 pgs. (Date of gearcover labeled as prior art: publicly known prior to the filing date of the present application).

\* cited by examiner

*Primary Examiner*—Alan P. Douglas

*Assistant Examiner*—Linda Brooks

(74) *Attorney, Agent, or Firm*—Heller Ehrman White and McAuliffe LLP

(57) **CLAIM**

The ornamental design for a low profile gearcover, as shown and described.

**DESCRIPTION**

FIG. 1 is a front perspective view of a low profile gearcover according to the principles of the present invention.

FIG. 2 is a front elevational view of FIG. 1.

FIG. 3 is a rear elevational view of FIG. 1.

FIG. 4 is a left side elevational view of FIG. 1.

FIG. 5 is a right side elevational view of FIG. 1.

FIG. 6 is a top plan view of FIG. 1; and,

FIG. 7 is a bottom plan view of FIG. 1.

The present application is directed to the design illustrated in the drawings. The features shown in broken lines are for illustrative purposes only and form no part of the claimed design.

**1 Claim, 3 Drawing Sheets**

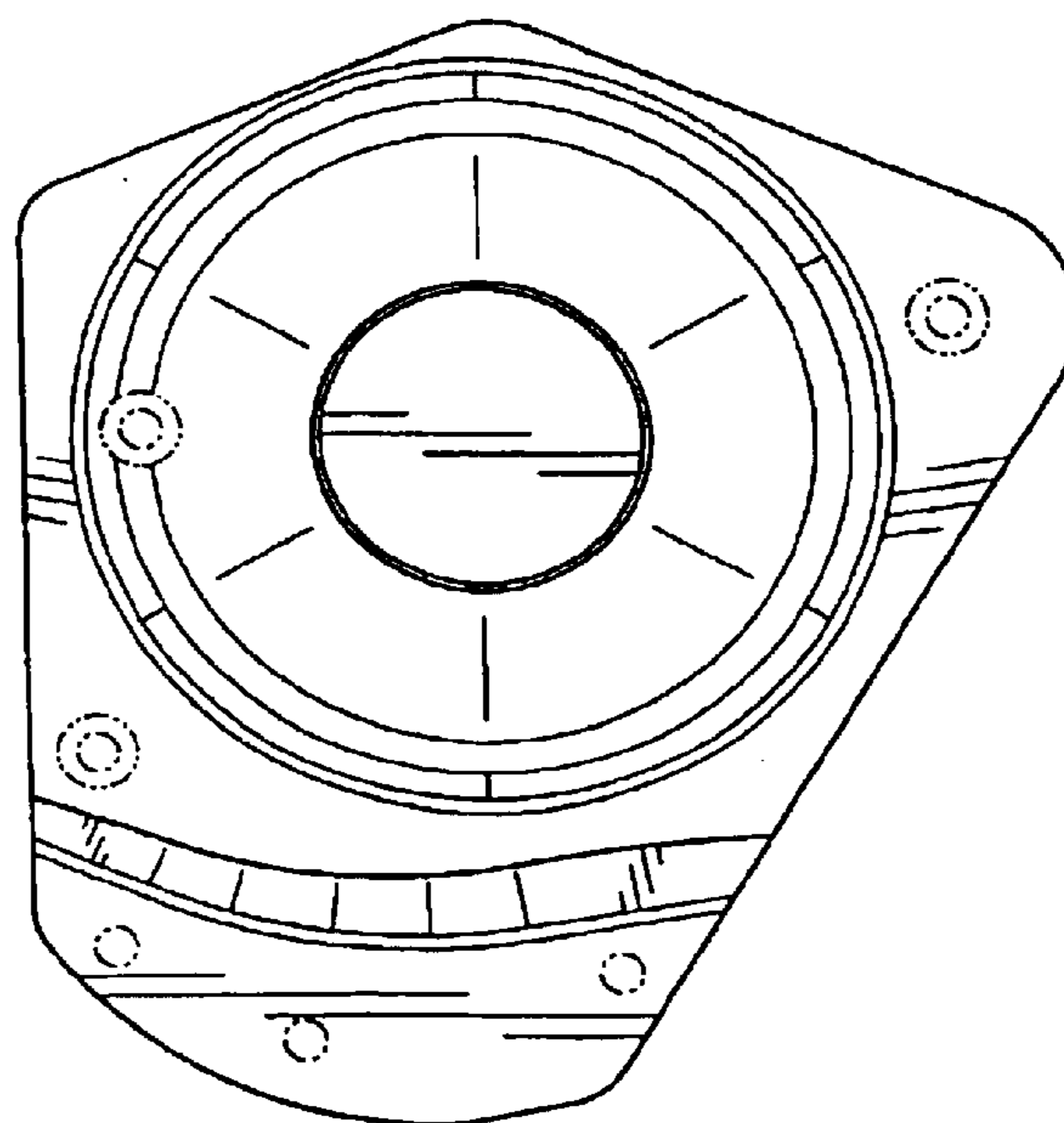
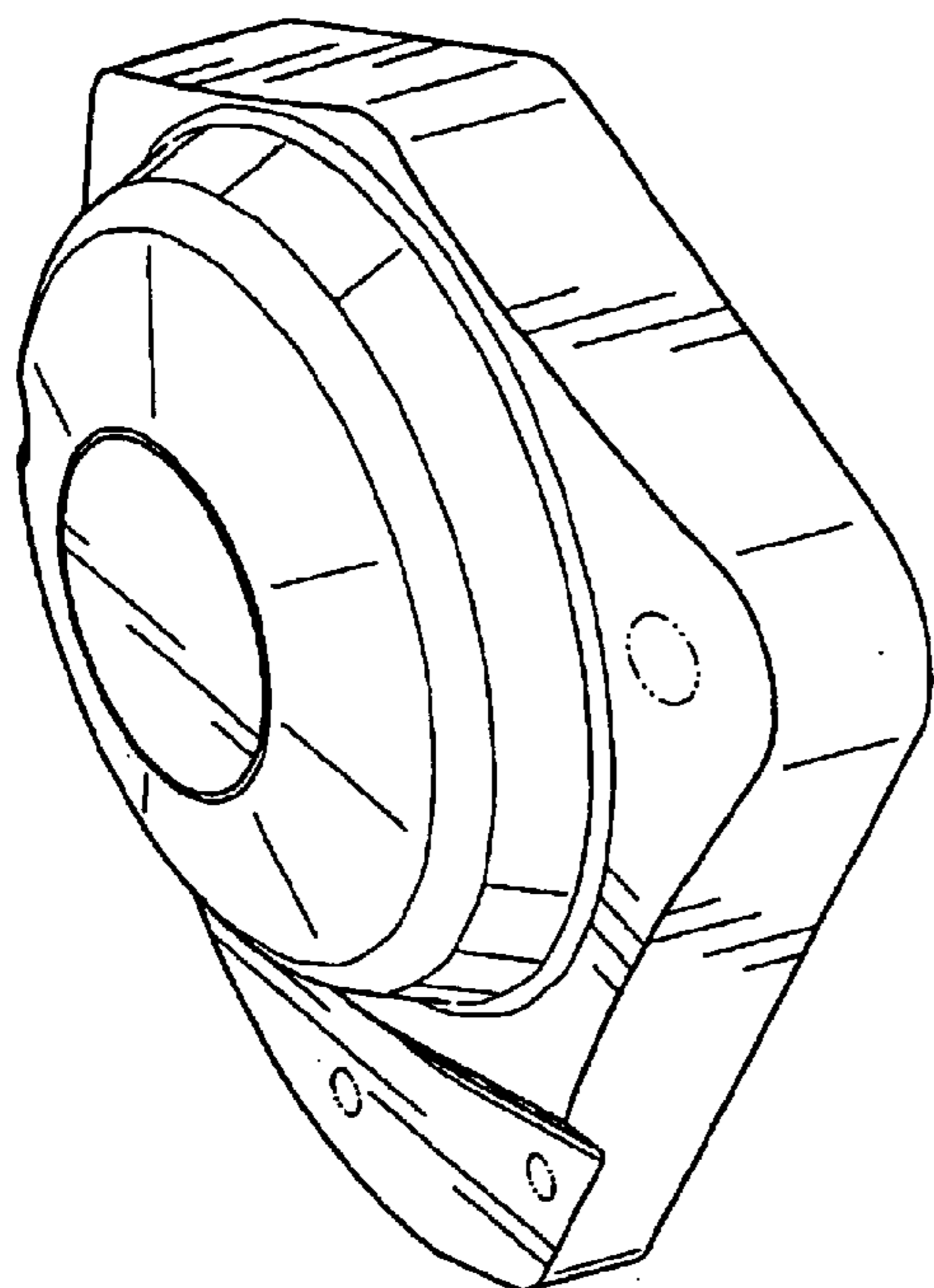


FIG. 1

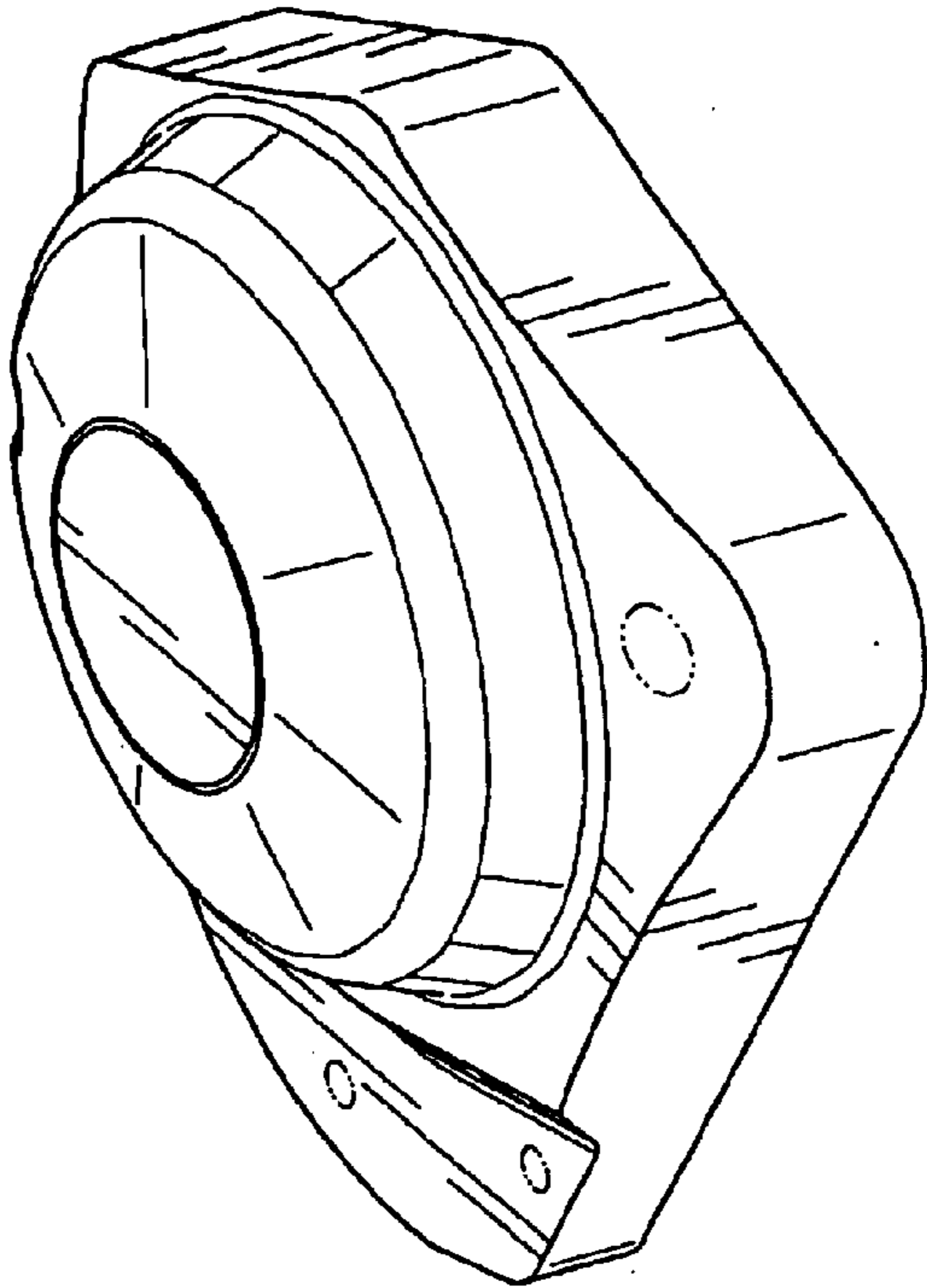


FIG. 2

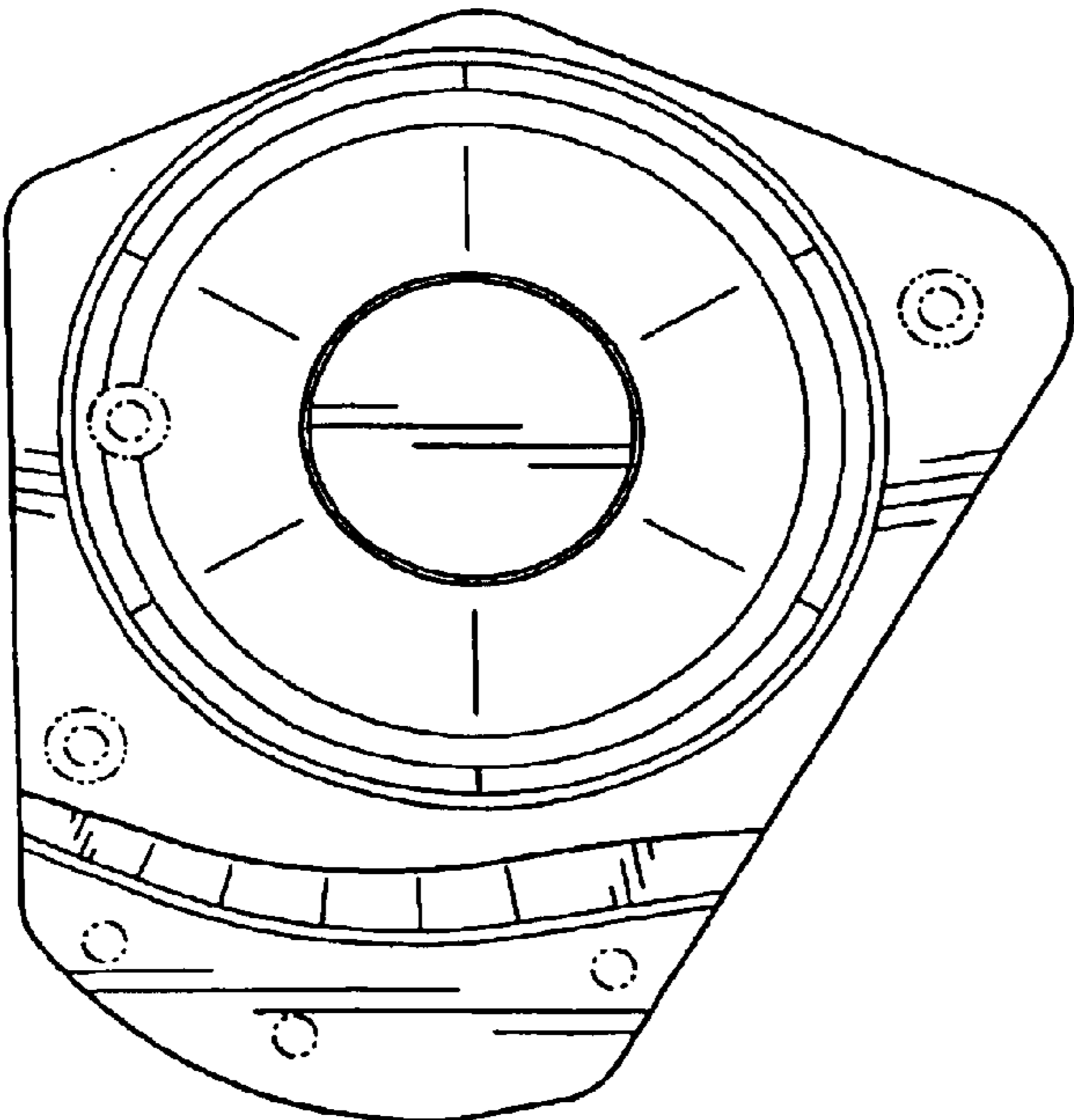


FIG.3

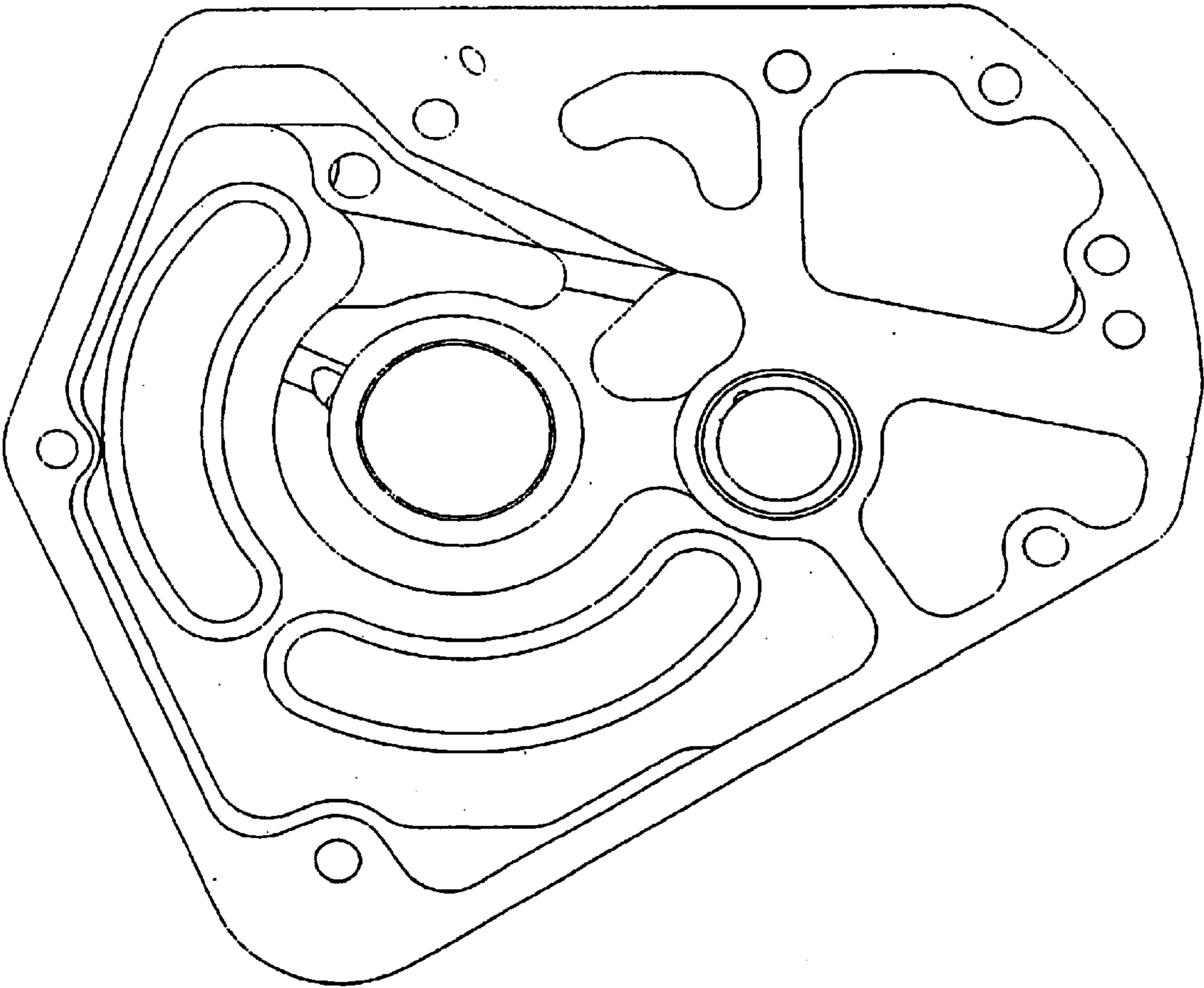


FIG.4

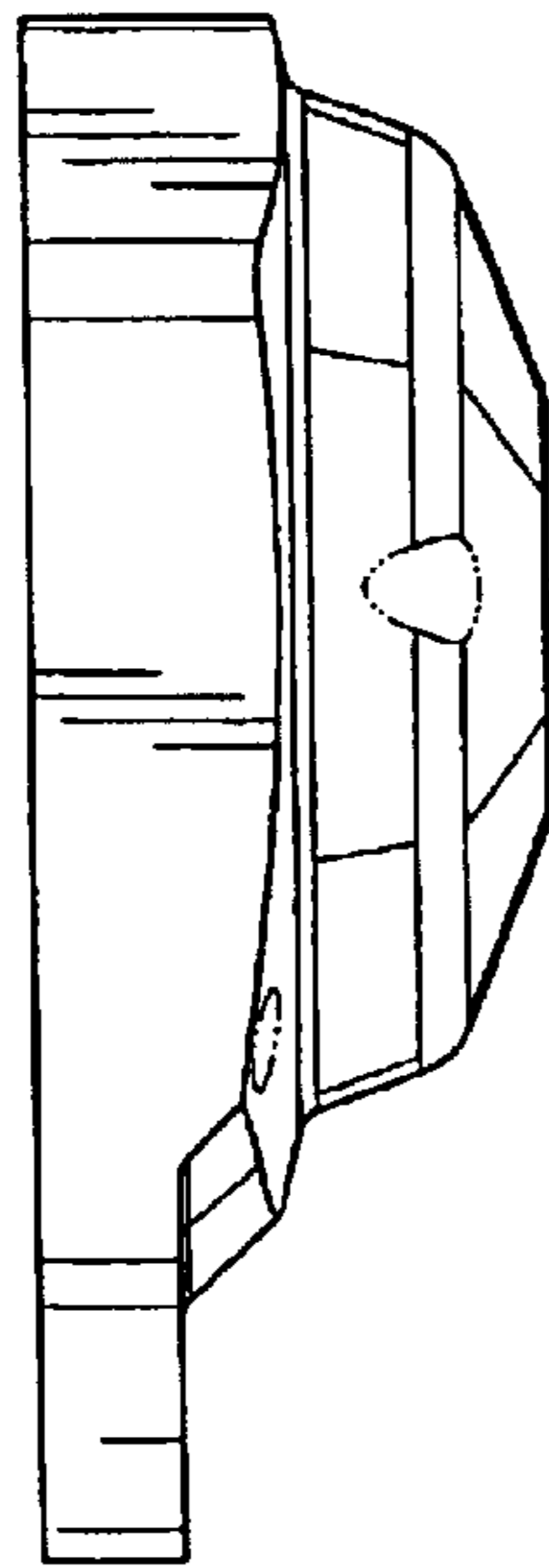


FIG.5

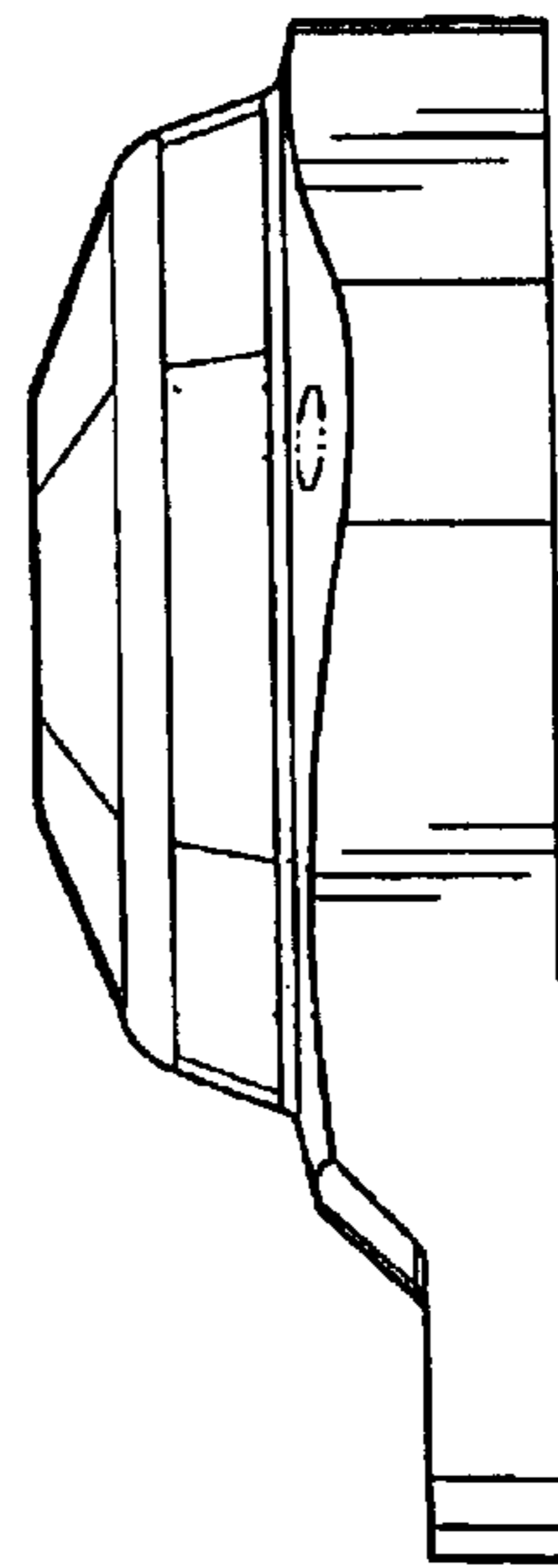


FIG.6

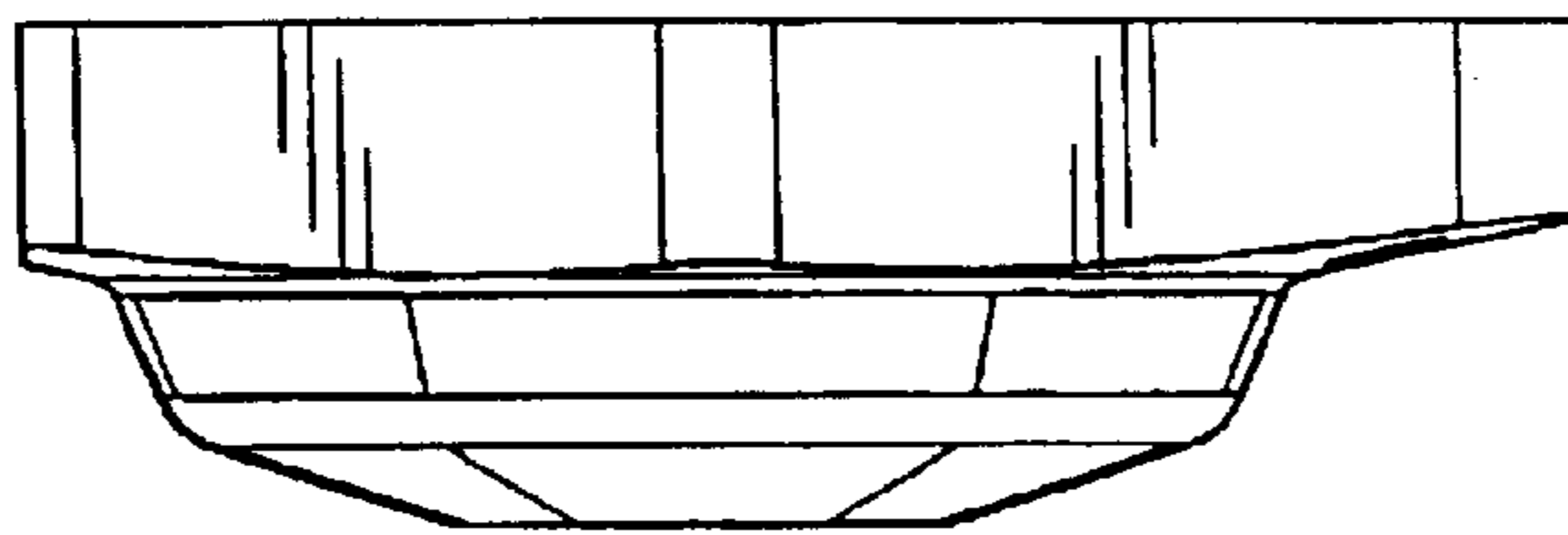


FIG.7

