

US00D492223S1

(12) **United States Design Patent**
Kim

(10) **Patent No.:** **US D492,223 S**
(45) **Date of Patent:** **** Jun. 29, 2004**

(54) **GAS POWERED FOLDING SCOOTER**

(76) **Inventor:** **Patrick Young Kim**, 780 Stanford Ave.,
Los Angeles, CA (US) 90021

(**) **Term:** **14 Years**

(21) **Appl. No.:** **29/185,418**

(22) **Filed:** **Jun. 25, 2003**

(51) **LOC (7) Cl.** **12-11**

(52) **U.S. Cl.** **D12/110**

(58) **Field of Search** **D12/110, 111;**
180/219, 220, 208, 65.1; 280/281.1, 288.1-288.3

(56) **References Cited**

U.S. PATENT DOCUMENTS

D201,068 S	*	5/1965	Kirby	D12/110
D306,710 S	*	3/1990	Grattapaglia	D12/110
D441,323 S	*	5/2001	Cheng	D12/111
D464,002 S	*	10/2002	Ho	D12/110

D470,438 S * 2/2003 Tateishi et al. D12/110

* cited by examiner

Primary Examiner—ALan P. Douglas

Assistant Examiner—Linda Brooks

(74) *Attorney, Agent, or Firm*—David A. Belasco; Belasco
Jacobs & Townsley, LLP

(57) **CLAIM**

The ornamental design for a gas powered folding scooter, as
shown and described.

DESCRIPTION

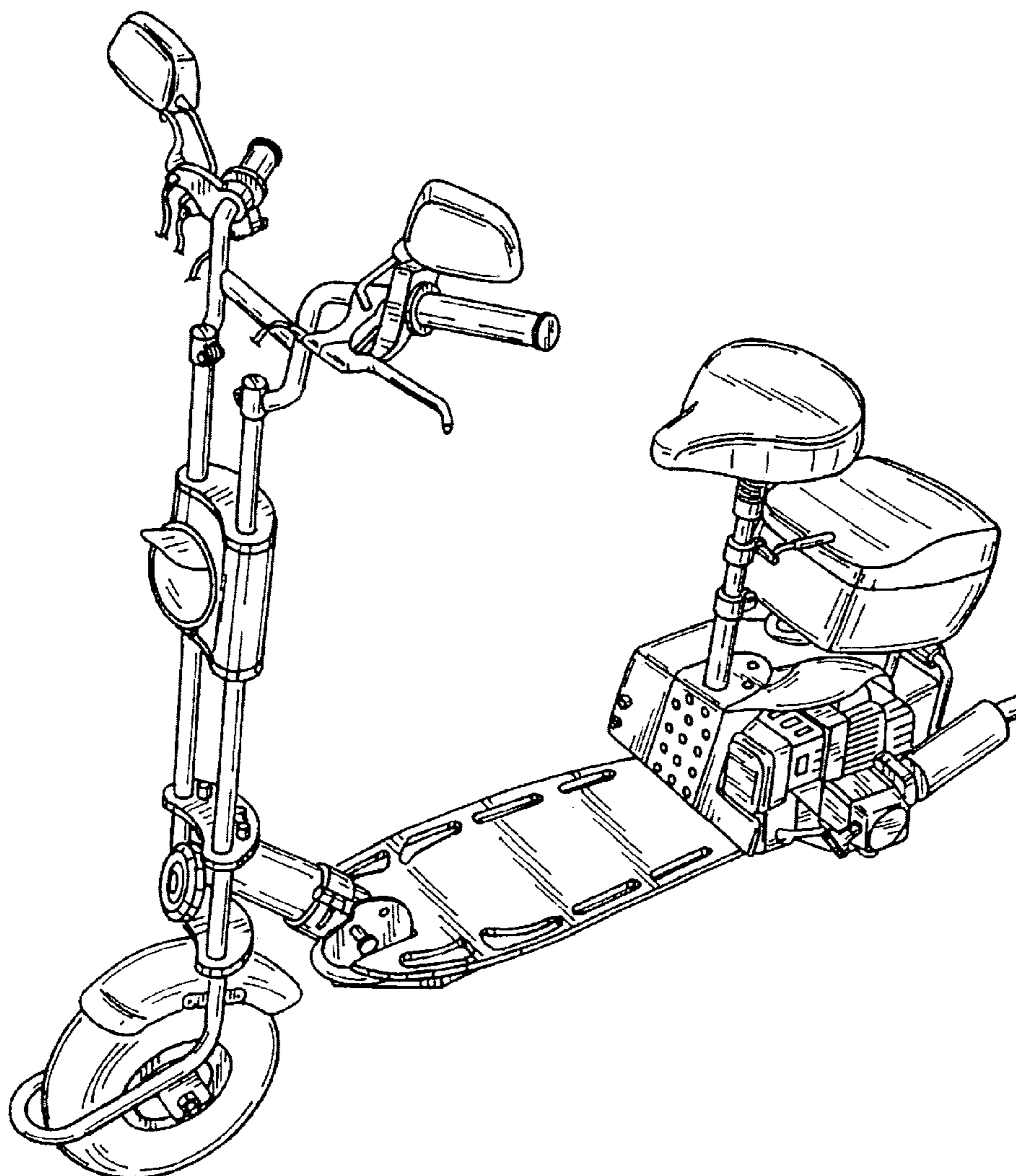
FIG. 1 is a perspective view of the gas powered folding
scooter, according to my new design;

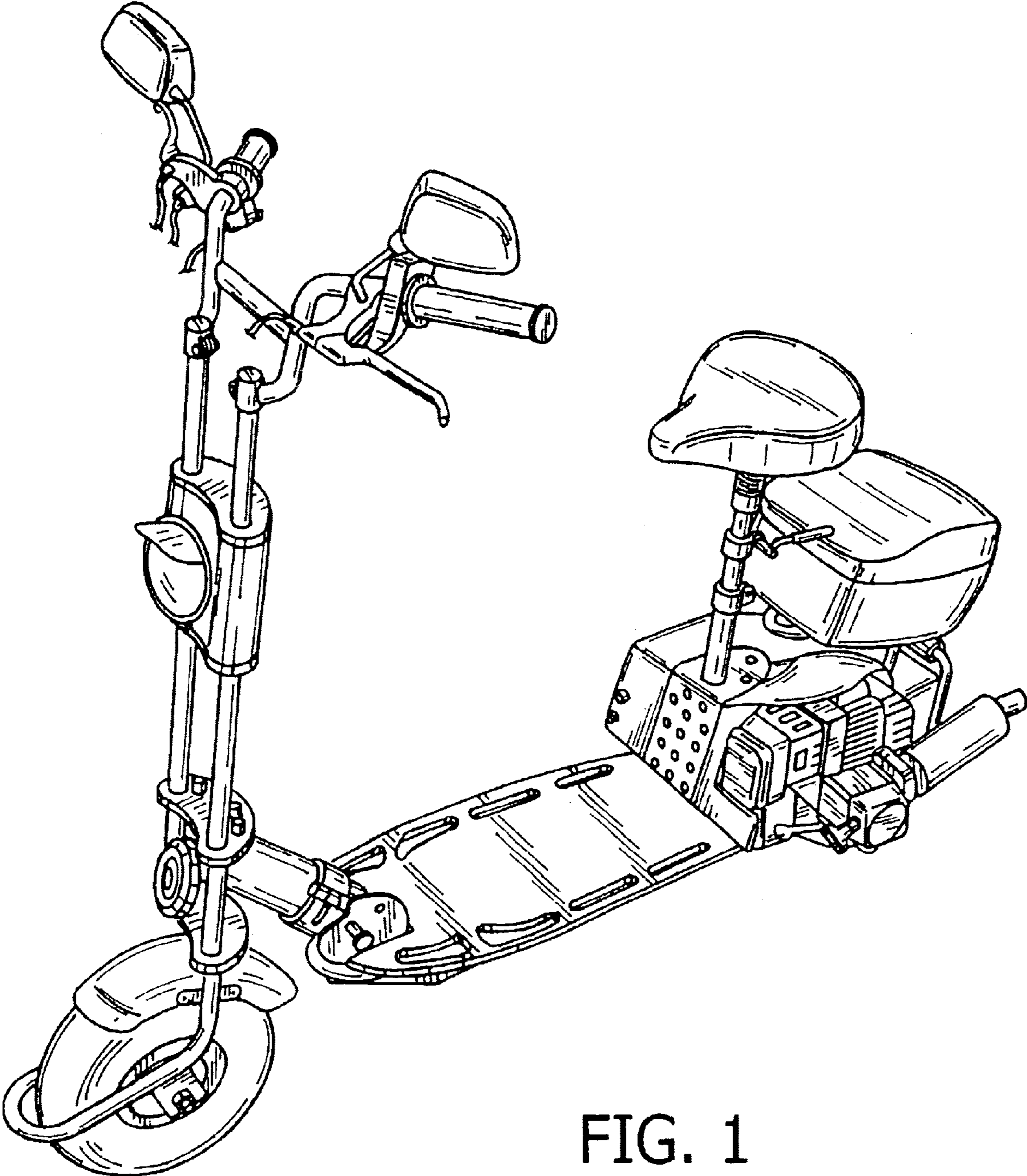
FIG. 2 is a left side view;

FIG. 3 is a back view; and,

FIG. 4 is a bottom view.

1 Claim, 4 Drawing Sheets





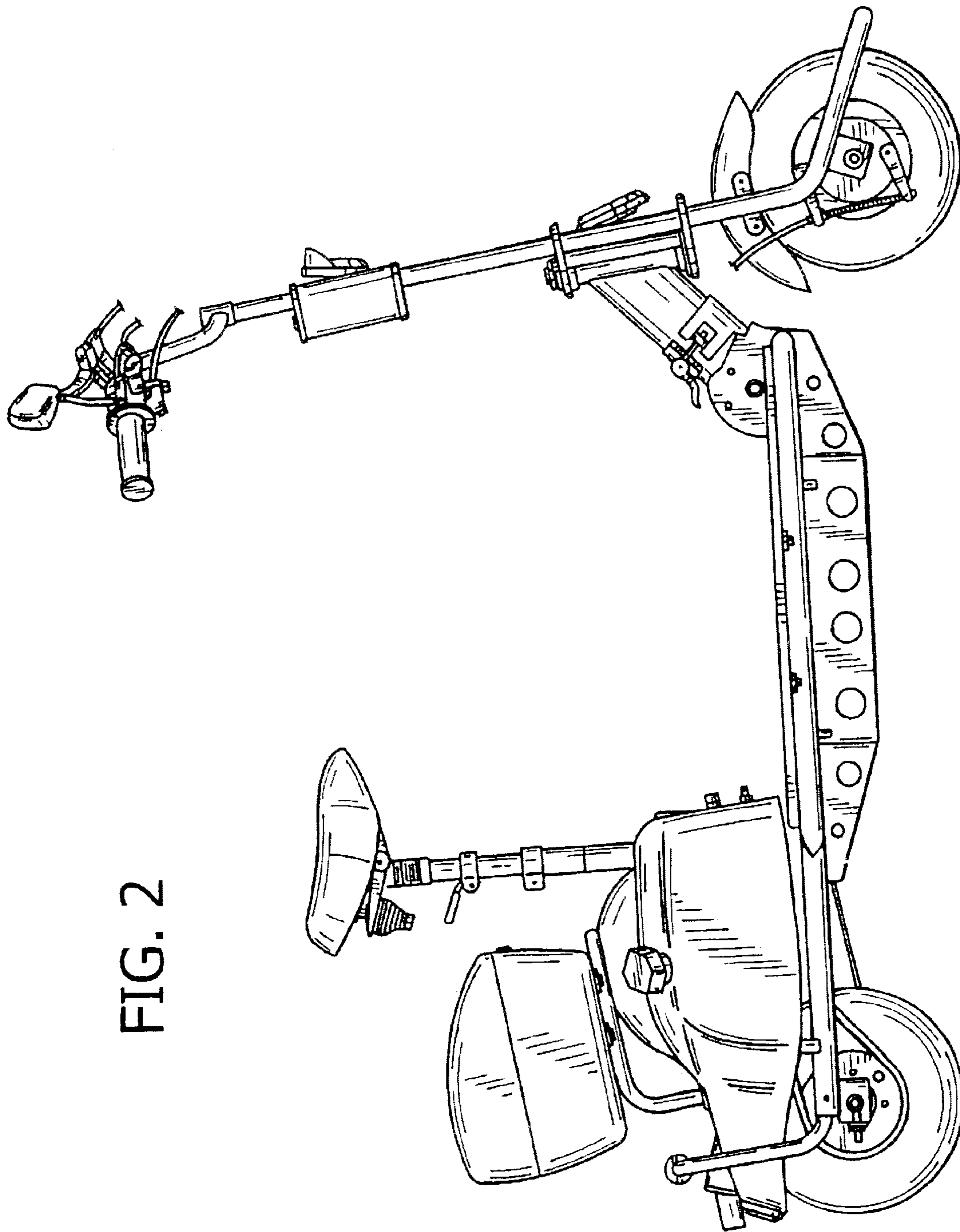


FIG. 2

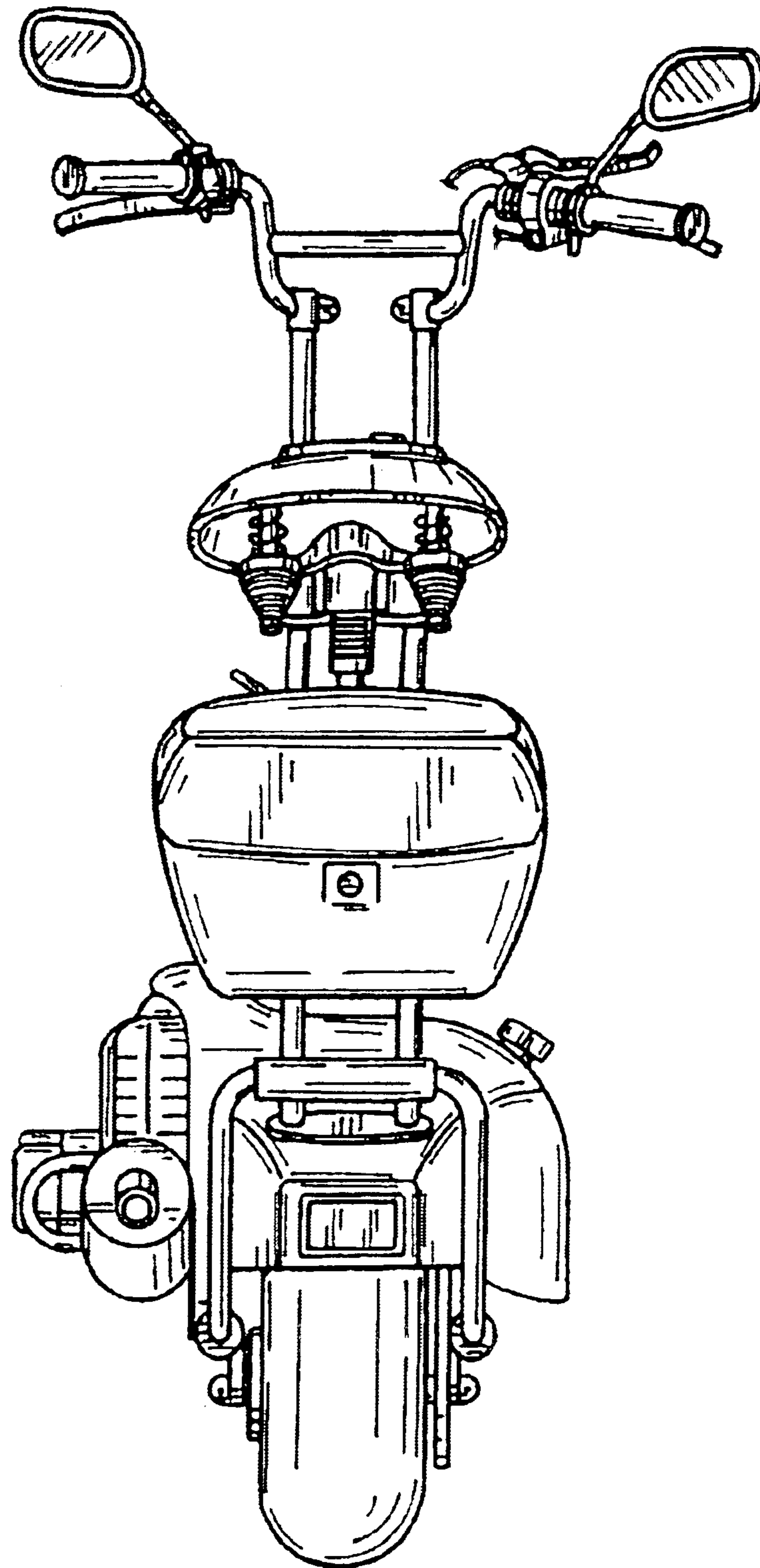


FIG. 3

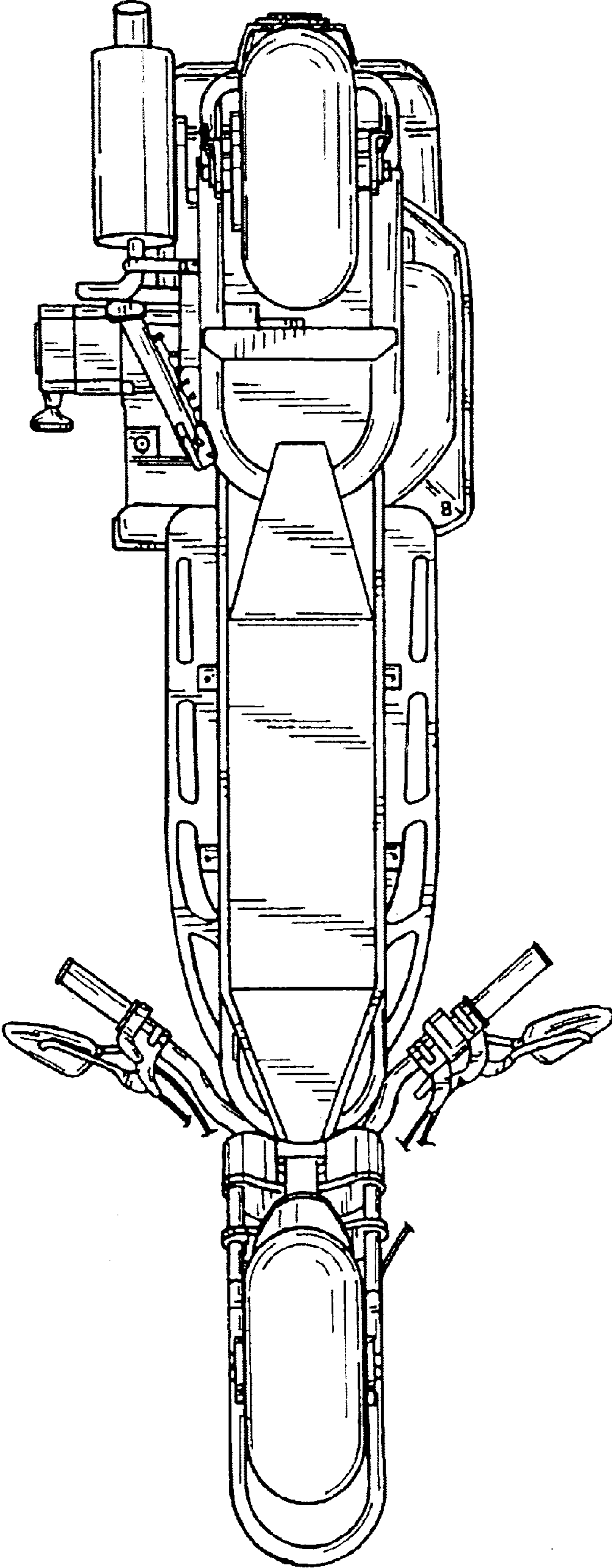


FIG. 4