

US00D492221S1

(12) **United States Design Patent**  
**Metzger**

(10) **Patent No.:** **US D492,221 S**  
(45) **Date of Patent:** **\*\* Jun. 29, 2004**

(54) **ZIPPER SLIDE**  
(75) Inventor: **Andrew T. Metzger**, Bell Plaine, KS  
(US)  
(73) Assignee: **The Coleman Company, Inc.**, Wichita,  
KS (US)  
(\*\*) Term: **14 Years**  
(21) Appl. No.: **29/183,257**  
(22) Filed: **Jun. 9, 2003**  
(51) **LOC (7) Cl.** ..... **02-07**  
(52) **U.S. Cl.** ..... **D11/221**  
(58) **Field of Search** ..... D11/200, 221;  
24/415-417, 419, 421, 427-431, 381, 387,  
385

3,822,443 A 7/1974 Yoshida  
3,857,125 A 12/1974 Hunt  
3,959,834 A 6/1976 Hunt  
4,023,244 A 5/1977 Doguchi et al.  
D245,046 S 7/1977 Weikal  
4,238,871 A 12/1980 Cannon  
4,261,082 A 4/1981 Kamiya  
4,819,308 A 4/1989 Baroky  
4,997,222 A 3/1991 Reed  
D325,007 S 3/1992 Komuro  
5,110,383 A 5/1992 Kramer  
5,181,299 A 1/1993 Huang  
5,497,535 A 3/1996 Kloor  
D380,988 S 7/1997 Mizuno  
D406,251 S 3/1999 Nakamura  
6,026,547 A 2/2000 O'Donnell  
D446,164 S \* 8/2001 Yoneoka ..... D11/221  
6,490,770 B1 12/2002 Matsuda et al.  
6,510,590 B1 1/2003 Lin  
D471,134 S \* 3/2003 Yoneoka et al. .... D11/221

(56) **References Cited**  
U.S. PATENT DOCUMENTS

1,813,227 A 7/1931 Blair  
2,056,172 A 10/1936 De Vore  
D114,269 S 4/1939 Poux  
D118,050 S 12/1939 Lawson  
D125,890 S \* 3/1941 Holland ..... D11/221  
2,295,976 A 9/1942 Suskowitz et al.  
2,370,059 A 2/1945 Marinsky  
2,379,059 A 2/1945 Ashley  
2,568,163 A 9/1951 Morin  
2,677,162 A 5/1954 Foltis  
2,792,611 A 5/1957 Morin  
2,799,909 A 7/1957 Dellaquila  
2,807,853 A 10/1957 Chery  
2,819,505 A 1/1958 Marcellus  
2,824,352 A 2/1958 Foltis  
2,840,877 A 7/1958 Foltis  
2,855,652 A 10/1958 Jones  
2,866,245 A 12/1958 Elgin  
2,933,792 A 4/1960 Malmborg  
3,337,929 A 8/1967 McGahee  
3,497,926 A 3/1970 Frohlich  
3,604,070 A 9/1971 Vorsteher

\* cited by examiner

*Primary Examiner*—Ralf Seifert

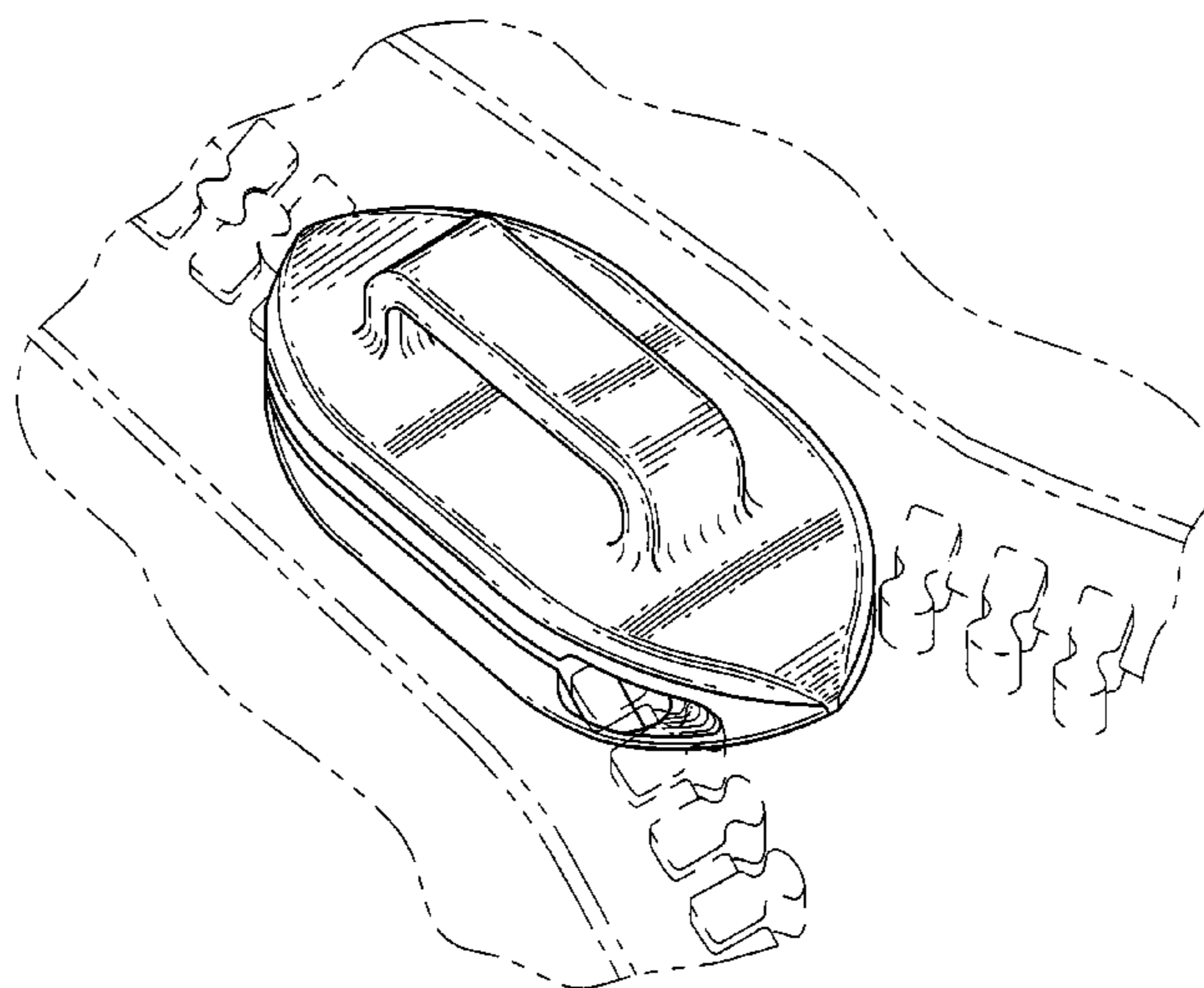
(57) **CLAIM**

The ornamental design for a zipper slide, as shown and described.

**DESCRIPTION**

FIG. 1 is a top, right front perspective view of the zipper slide of the present invention in its environment;  
FIG. 2 is a top, left perspective view of the zipper slide of the present invention;  
FIG. 3 is a front view thereof;  
FIG. 4 is a rear view thereof;  
FIG. 5 is a right side view thereof;  
FIG. 6 is a left side view thereof;  
FIG. 7 is a top view thereof; and,  
FIG. 8 is a bottom view thereof.  
The broken line showing is for illustrative purposes only and forms no part of the claimed design.

**1 Claim, 2 Drawing Sheets**



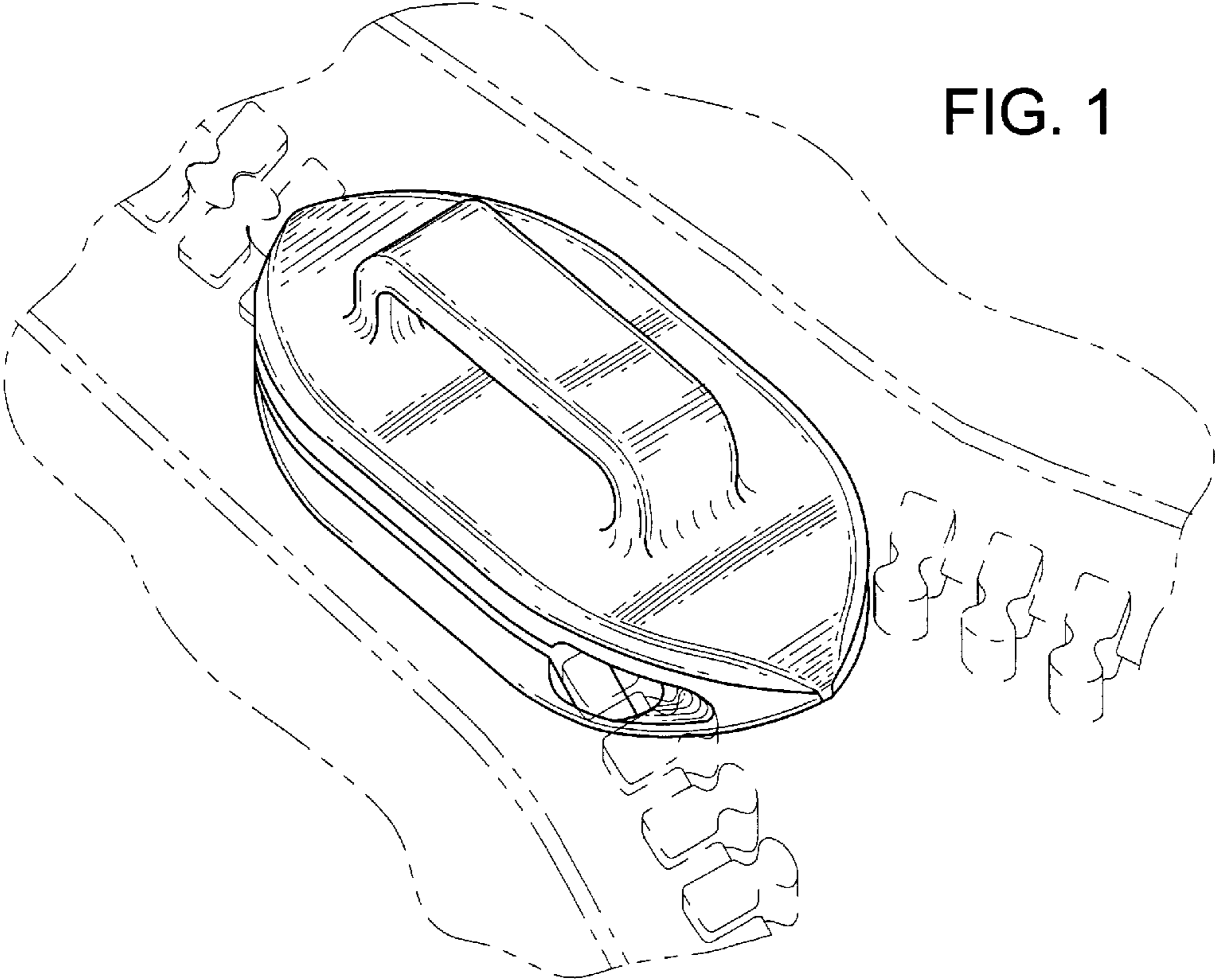


FIG. 2

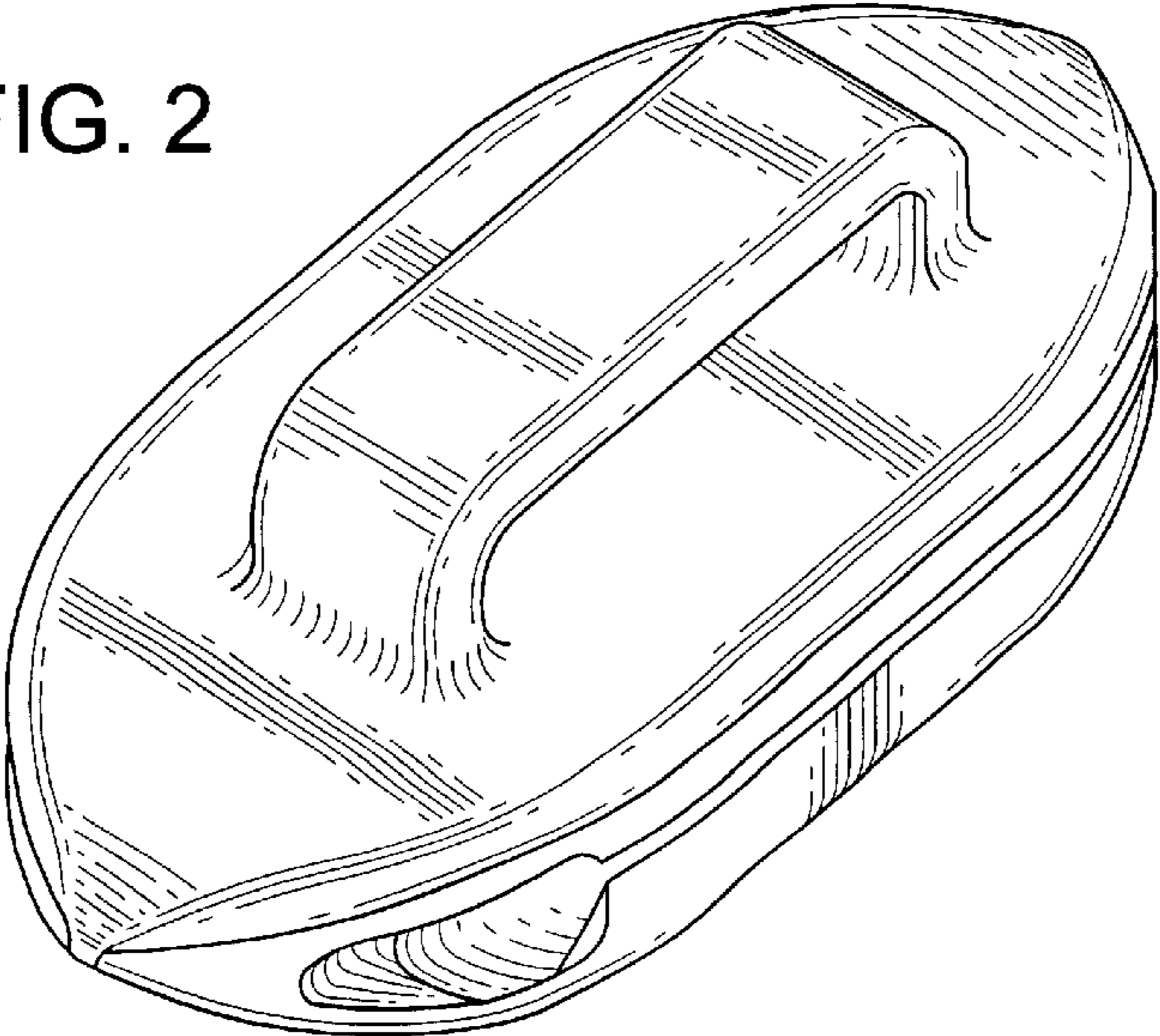


FIG. 3

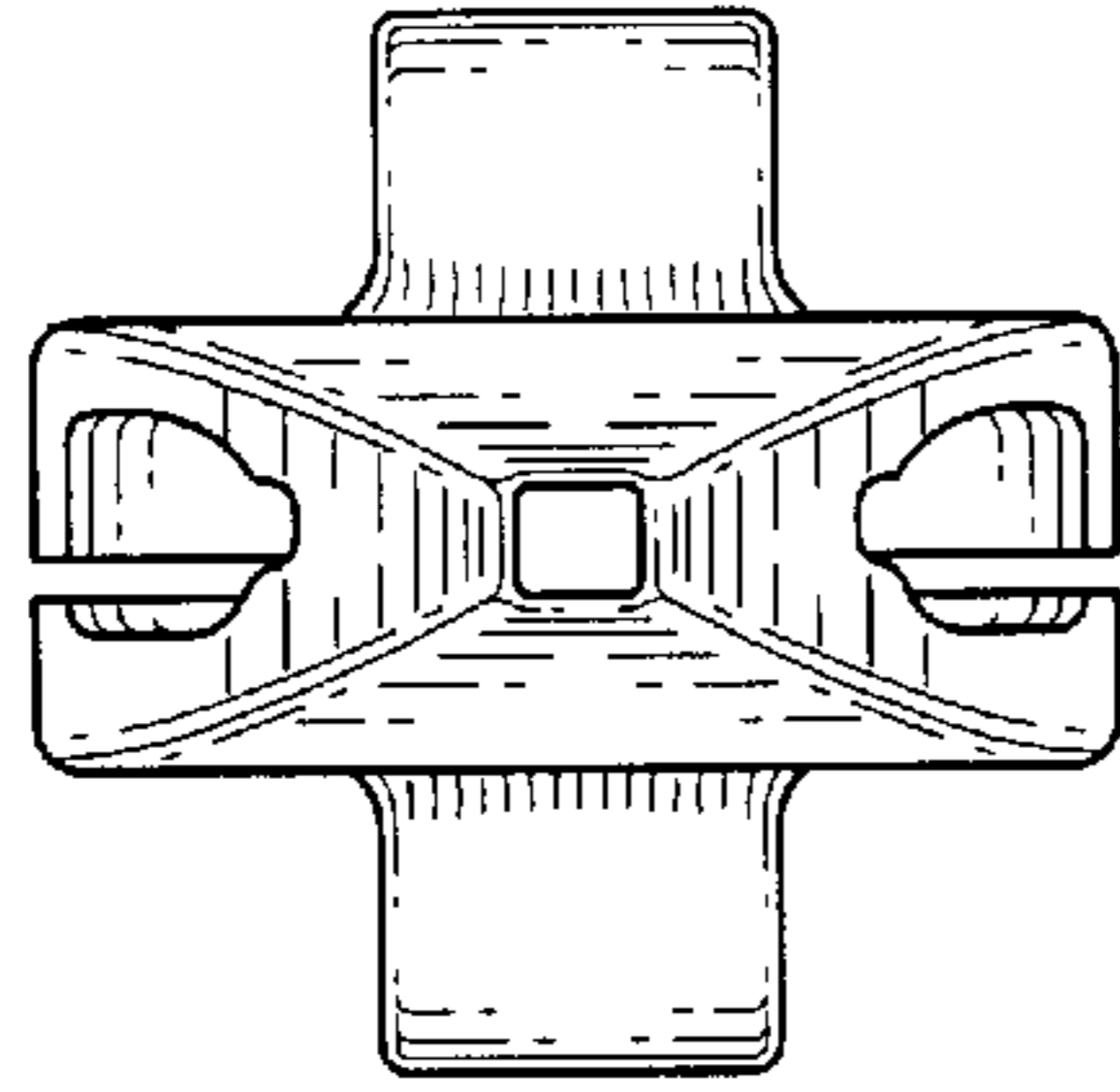


FIG. 4

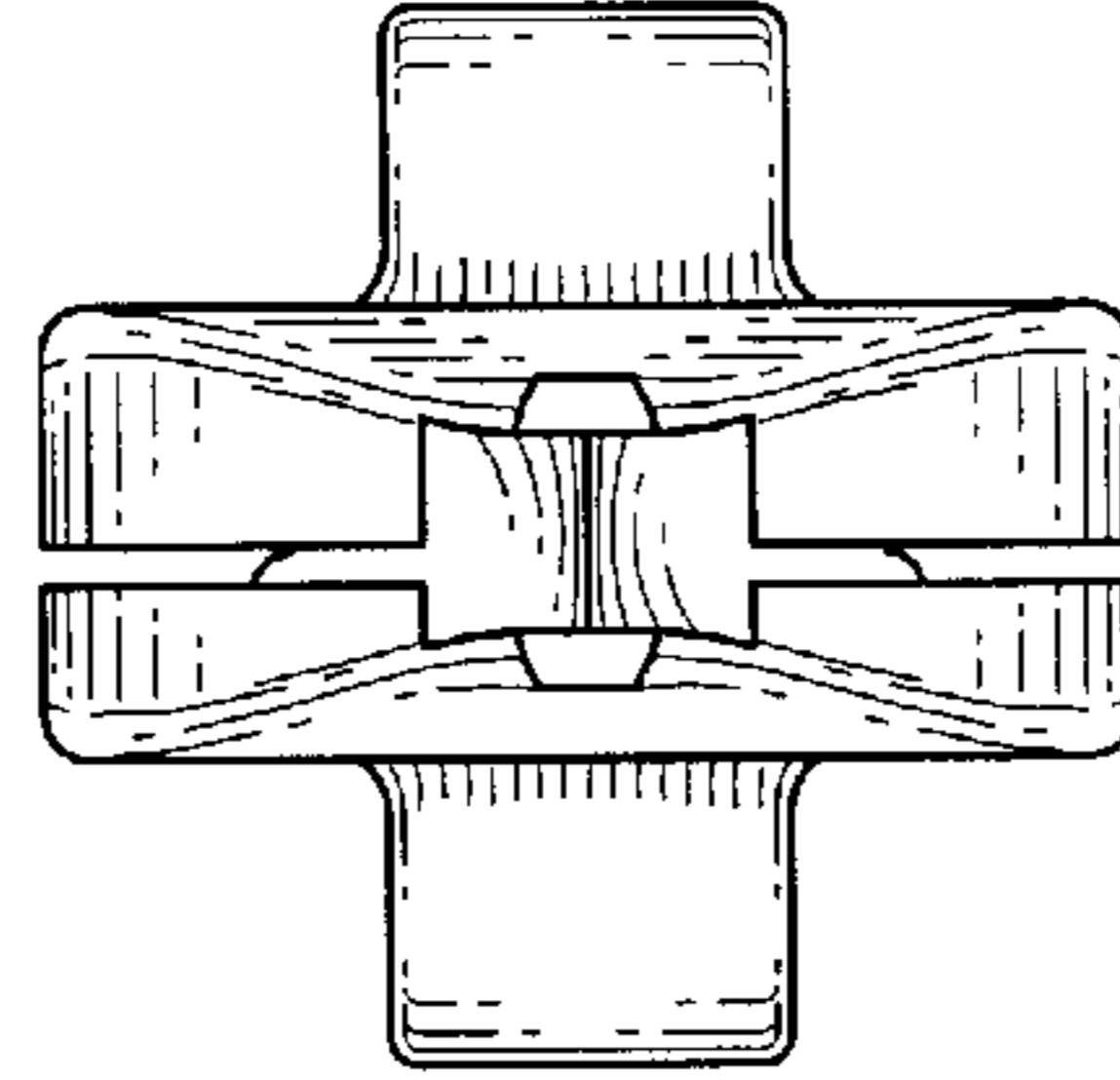


FIG. 5

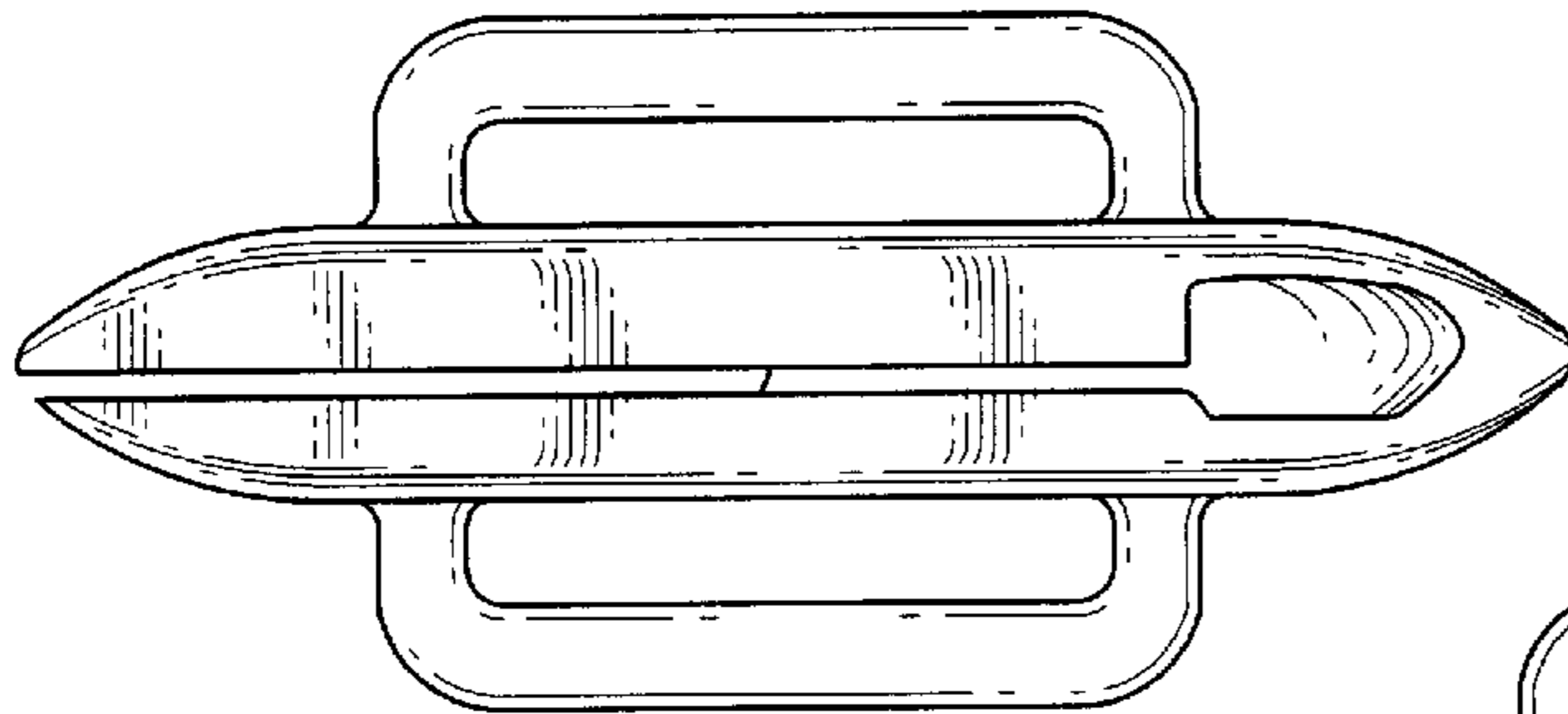


FIG. 6

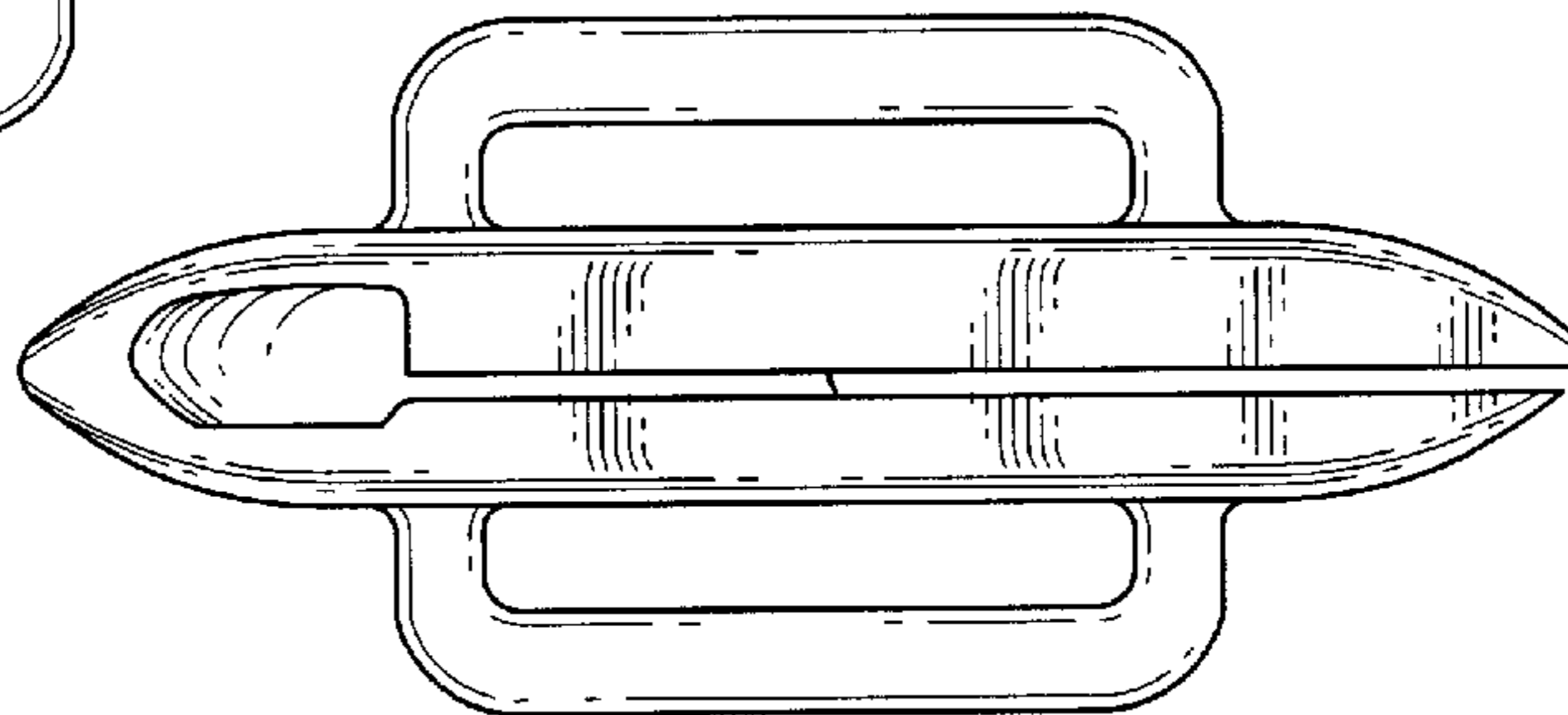


FIG. 7

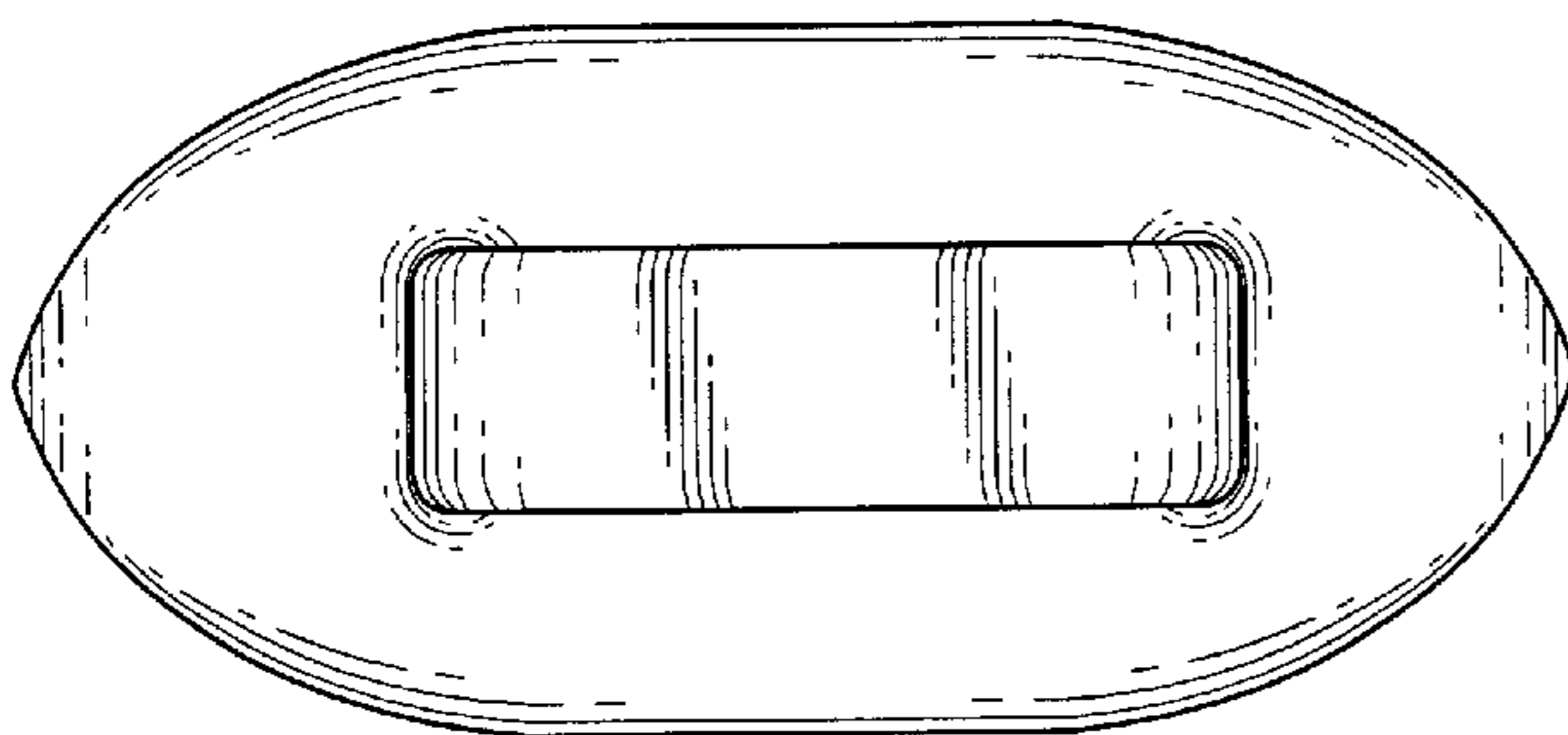


FIG. 8

