



US00D492213S1

(12) **United States Design Patent**
Day et al.

(10) **Patent No.:** **US D492,213 S**
(45) **Date of Patent:** **** Jun. 29, 2004**

(54) **GAUGE DISPLAY MOUNT**

(75) Inventors: **Gregory E. Day**, Great Falls, VA (US);
Dwight C. Green, Ashburn, VA (US)

(73) Assignee: **Gauge Works, LLC**, Great Falls, VA (US)

(**) Term: **14 Years**

(21) Appl. No.: **29/181,917**

(22) Filed: **May 16, 2003**

(51) **LOC (7) Cl.** **10-04**

(52) **U.S. Cl.** **D10/103; D12/192**

(58) **Field of Search** D10/103, 125;
D12/192, 114, 415; 280/750-752, DIG. 5,
770; 180/90; 296/70, 72, 180, 37.1-37.8

(56) **References Cited**

U.S. PATENT DOCUMENTS

D476,276 S * 6/2003 Day D12/192
D484,081 S * 12/2003 Day D12/192

* cited by examiner

Primary Examiner—Antoine D. Davis

(74) *Attorney, Agent, or Firm*—Williams Mullen, P.C.;
Thomas F. Bergert

(57) **CLAIM**

The ornamental design for a gauge display mount, as shown and described.

DESCRIPTION

FIG. 1 is a top right front perspective view of a gauge display mount showing our new design.

FIG. 2 is a front elevational view of the gauge display mount of FIG. 1;

FIG. 3 is a right side elevational view of the gauge display mount of FIG. 1;

FIG. 4 is a left side elevational view of the gauge display mount of FIG. 1;

FIG. 5 is a rear elevational view of the gauge display mount of FIG. 1;

FIG. 6 is a top plan view of the gauge display mount of FIG. 1;

FIG. 7 is a top right front perspective view of an additional embodiment of our new design.

FIG. 8 is a front elevational view of the embodiment shown in FIG. 7;

FIG. 9 is a right side elevational view of the embodiment shown in FIG. 7;

FIG. 10 is a left side elevational view of the embodiment shown in FIG. 7;

FIG. 11 is a rear elevational view of the embodiment shown in FIG. 7; and

FIG. 12 is a top plan view of the embodiment shown in FIG. 7.

FIG. 13 is a top right front perspective view of an additional embodiment of our new design.

FIG. 14 is a front elevational view of the embodiment shown in FIG. 13;

FIG. 15 is a right side elevational view of the embodiment shown in FIG. 13;

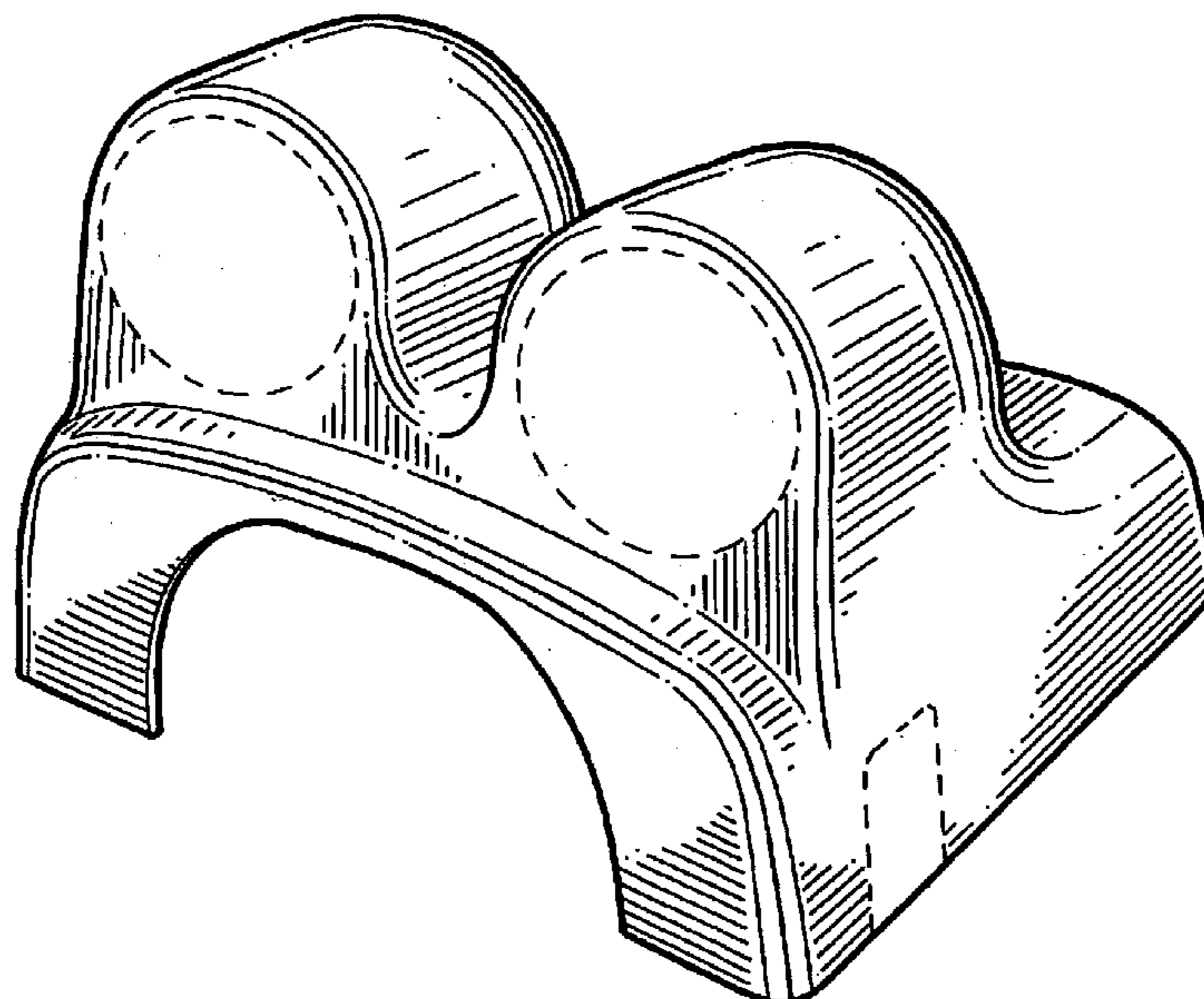
FIG. 16 is a left side elevational view of the embodiment shown in FIG. 13;

FIG. 17 is a rear elevational view of the embodiment shown in FIG. 13; and,

FIG. 18 is a top plan view of the embodiment shown in FIG. 13.

The broken line showing of display gauges and base extension is for illustrative purposes only and forms no part of the claimed design.

1 Claim, 18 Drawing Sheets



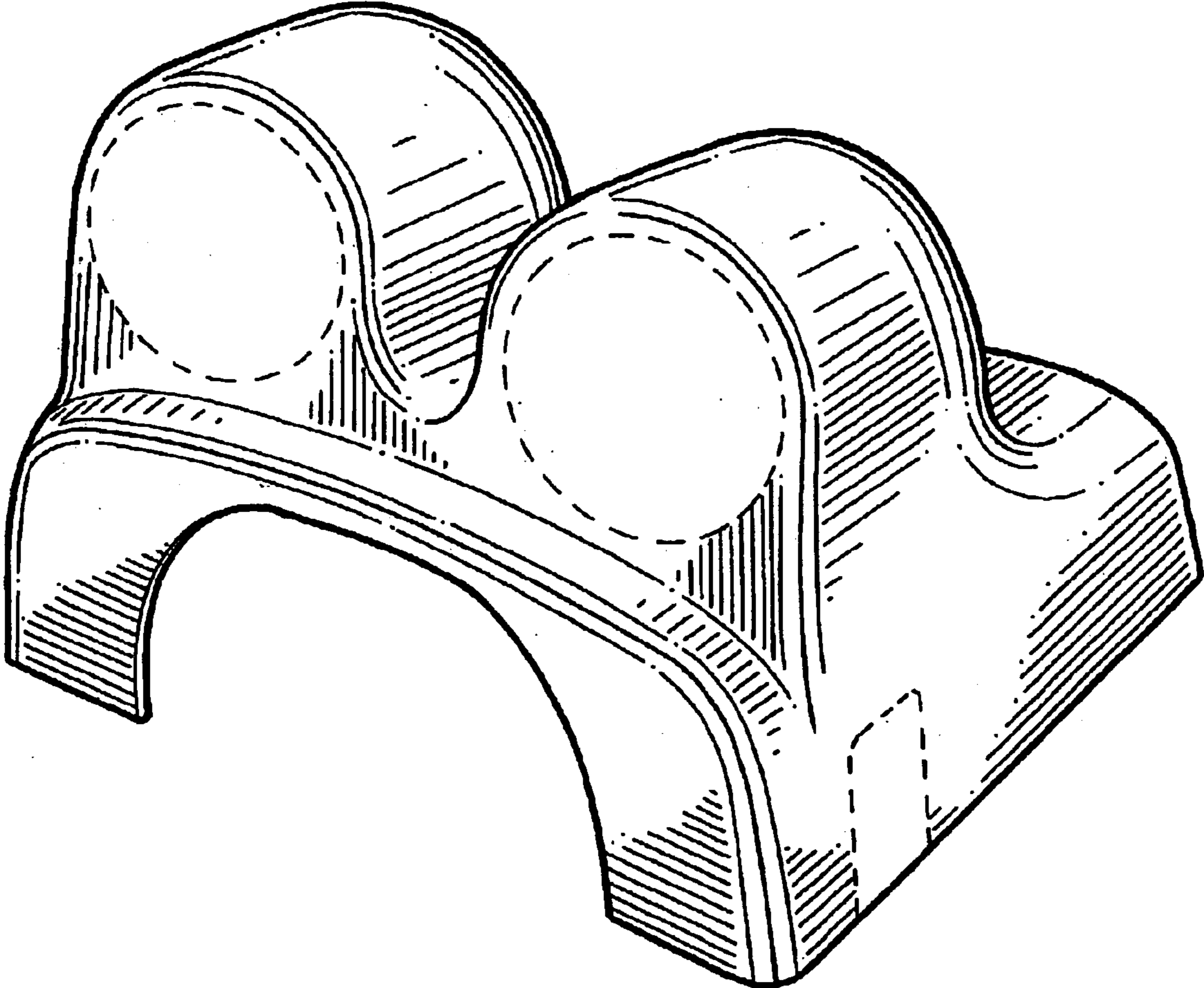


FIG. 1

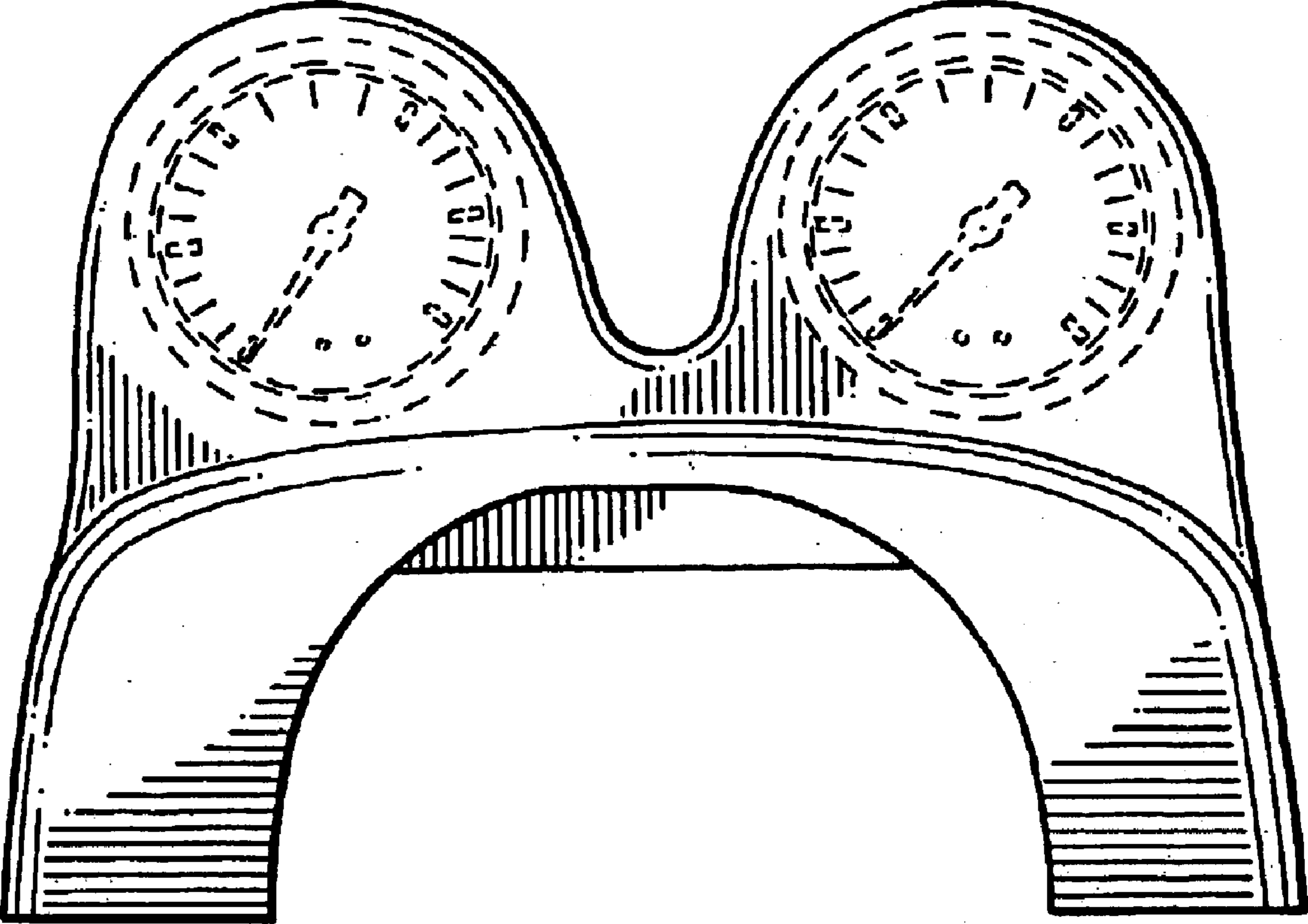


FIG. 2

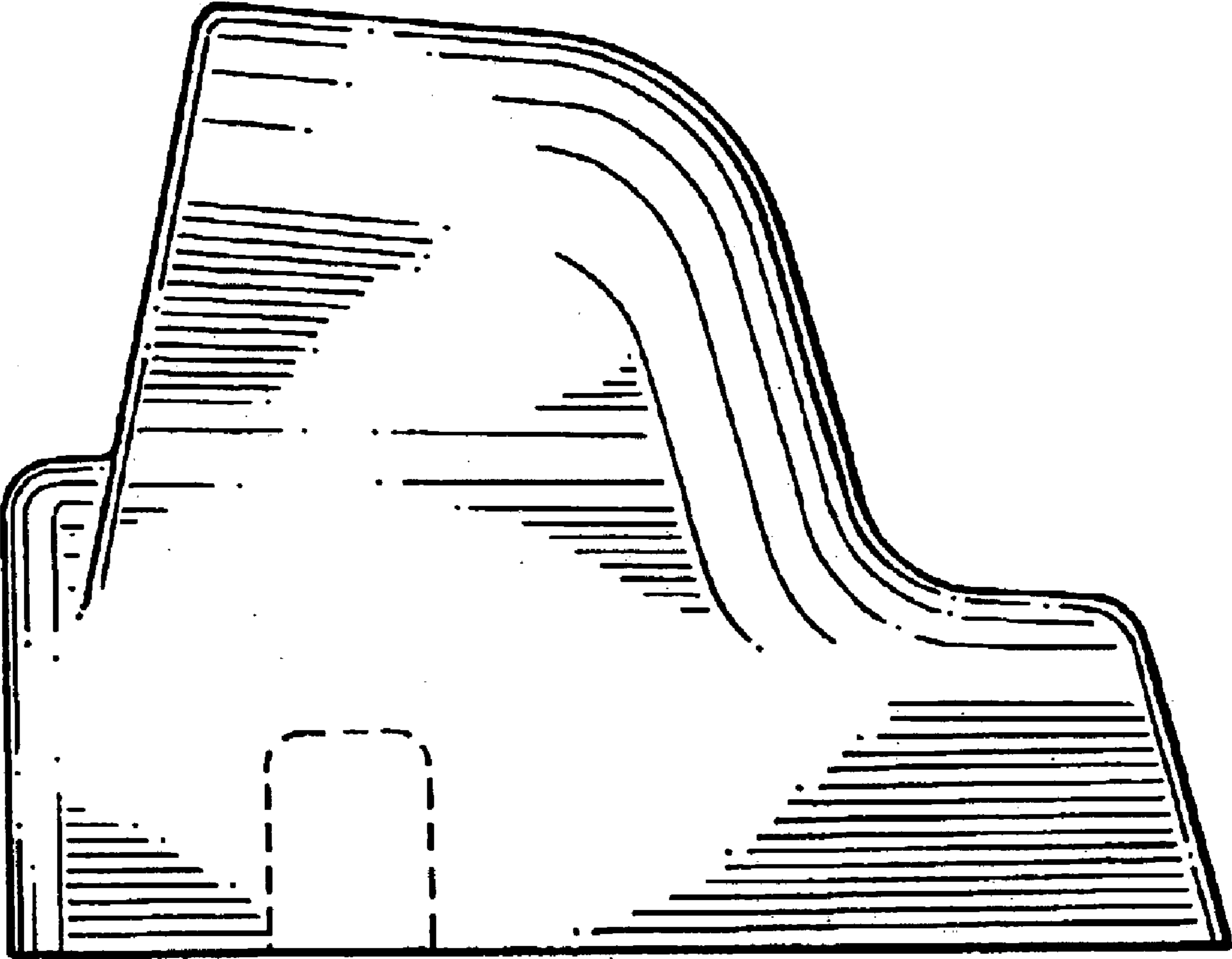


FIG. 3

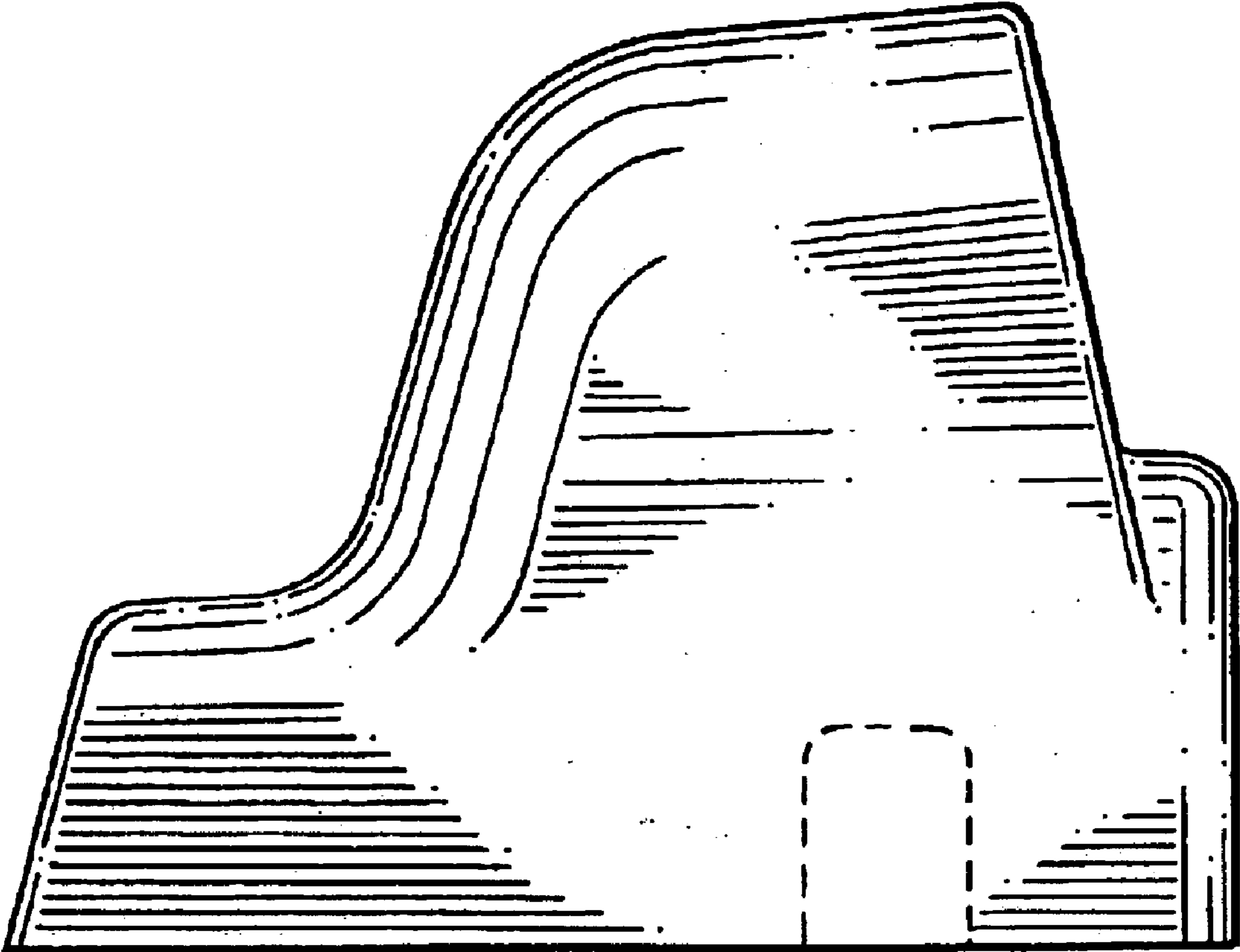


FIG. 4

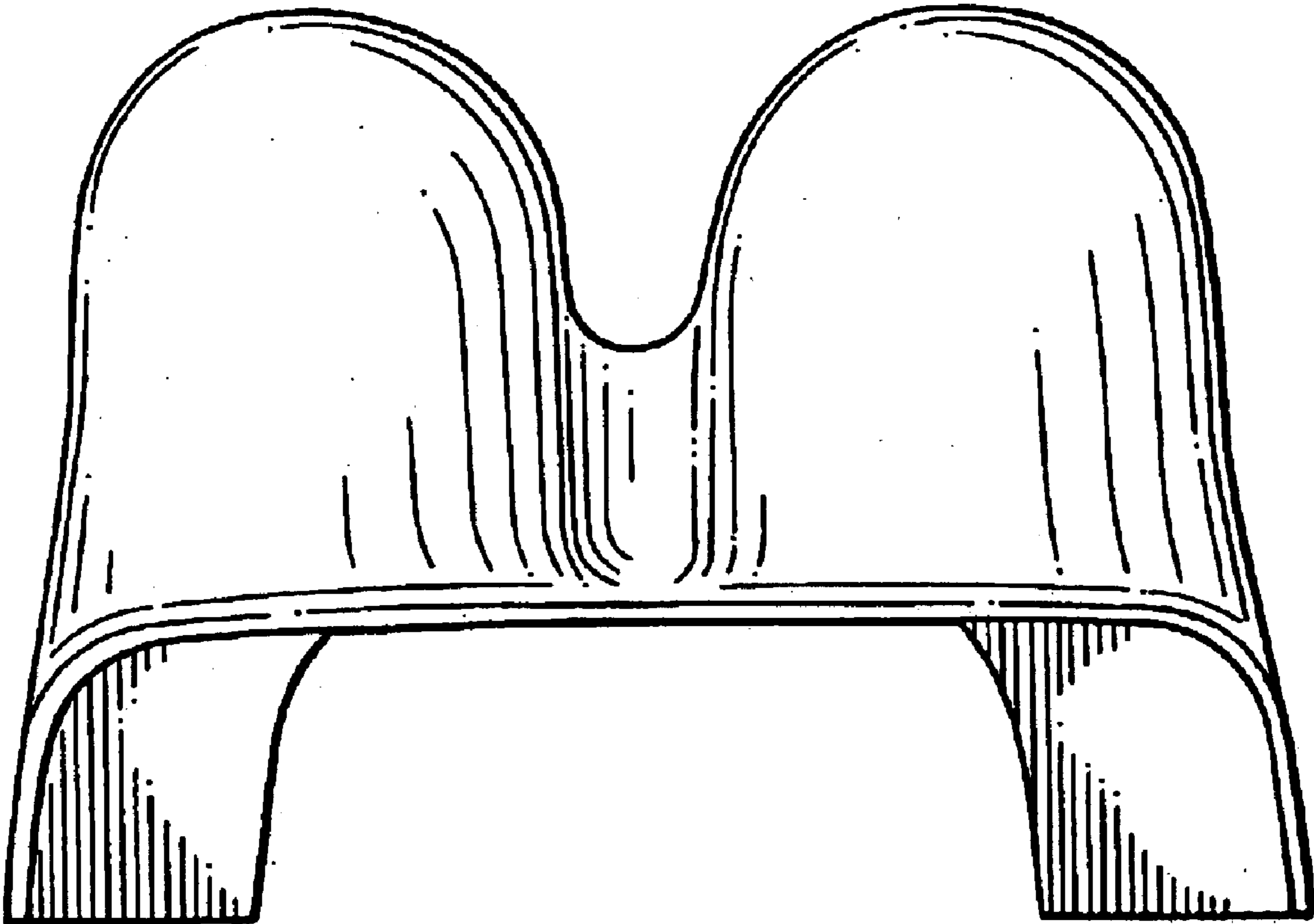


FIG. 5

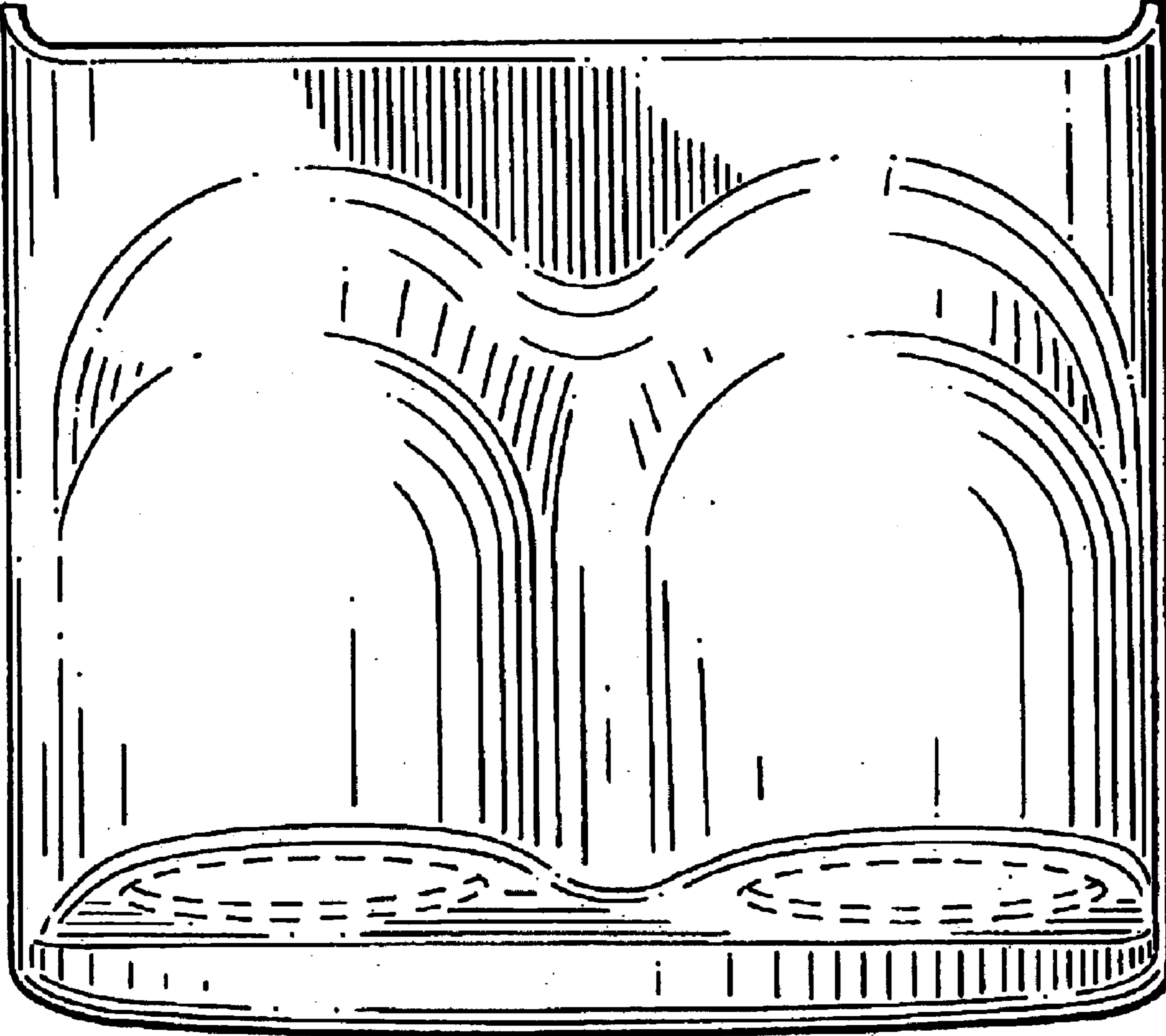


FIG. 6

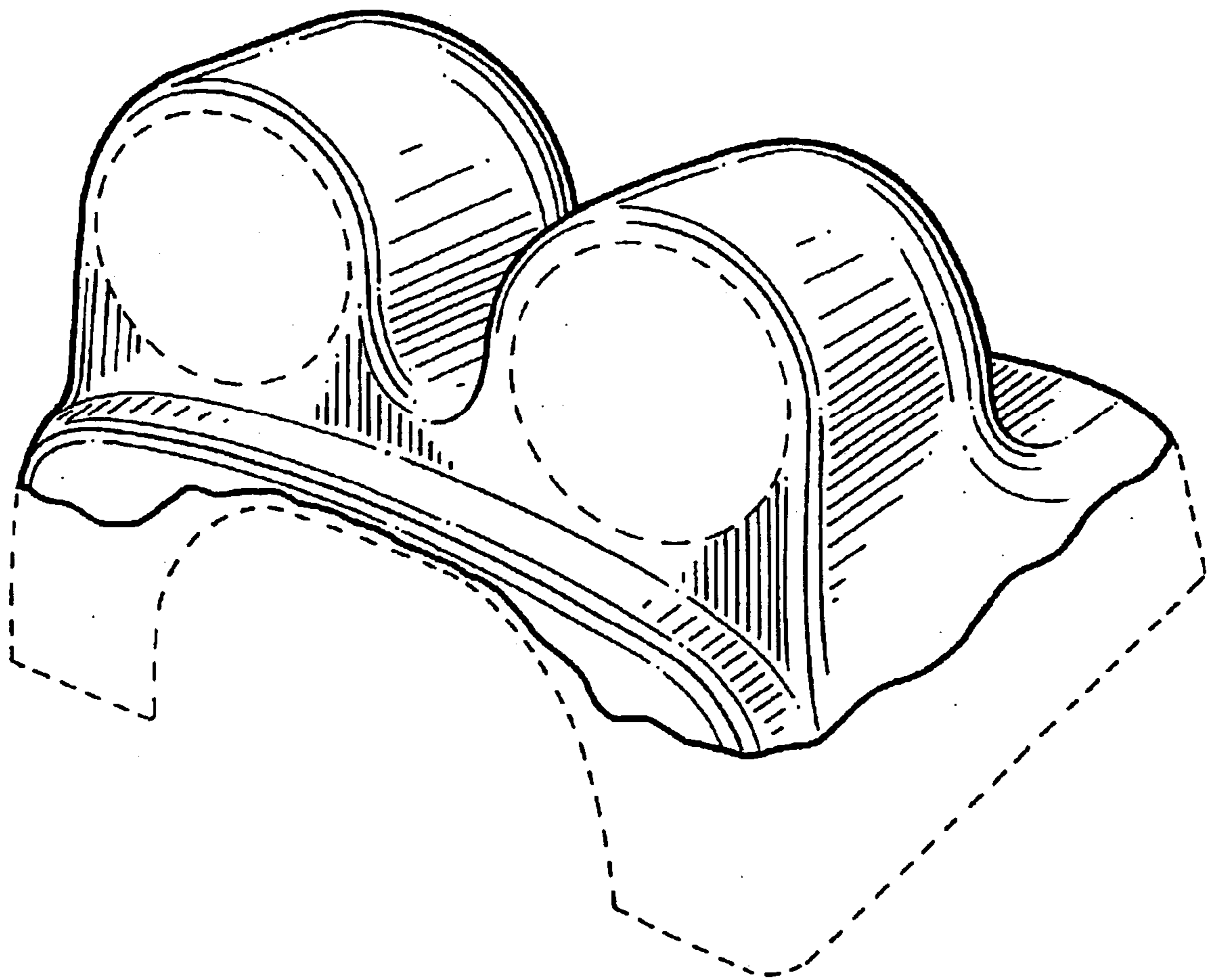


FIG. 7

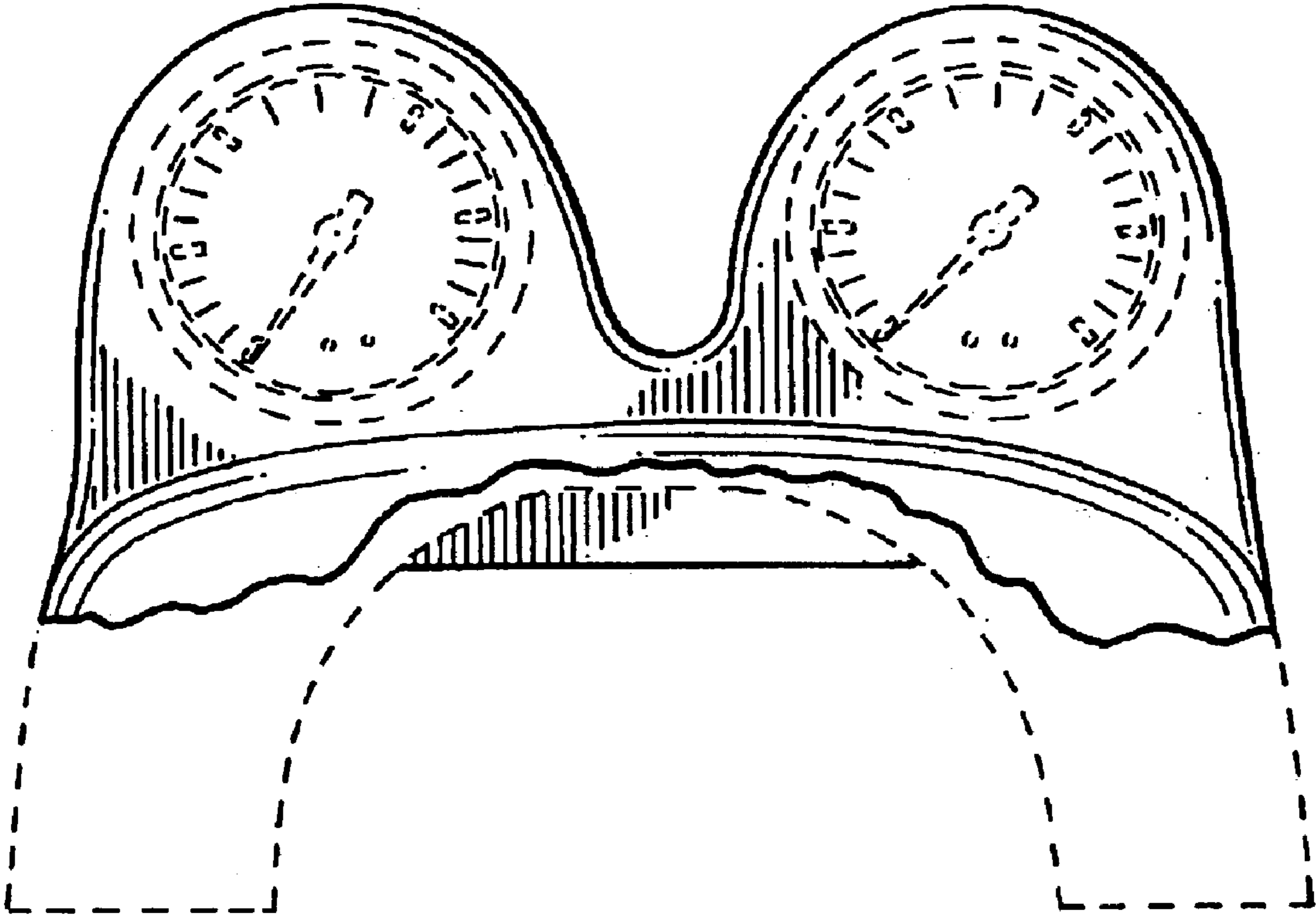


FIG. 8

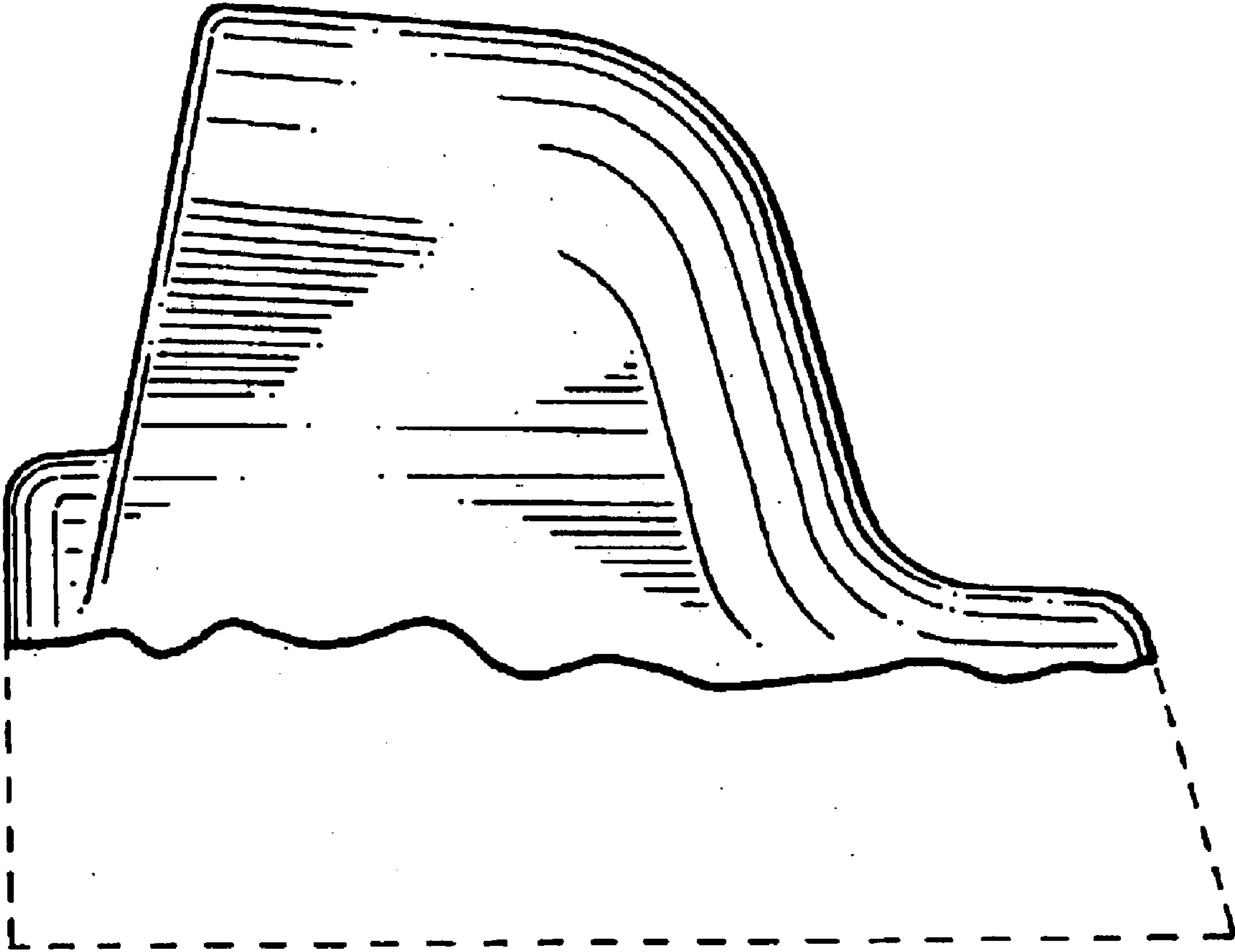


FIG. 9

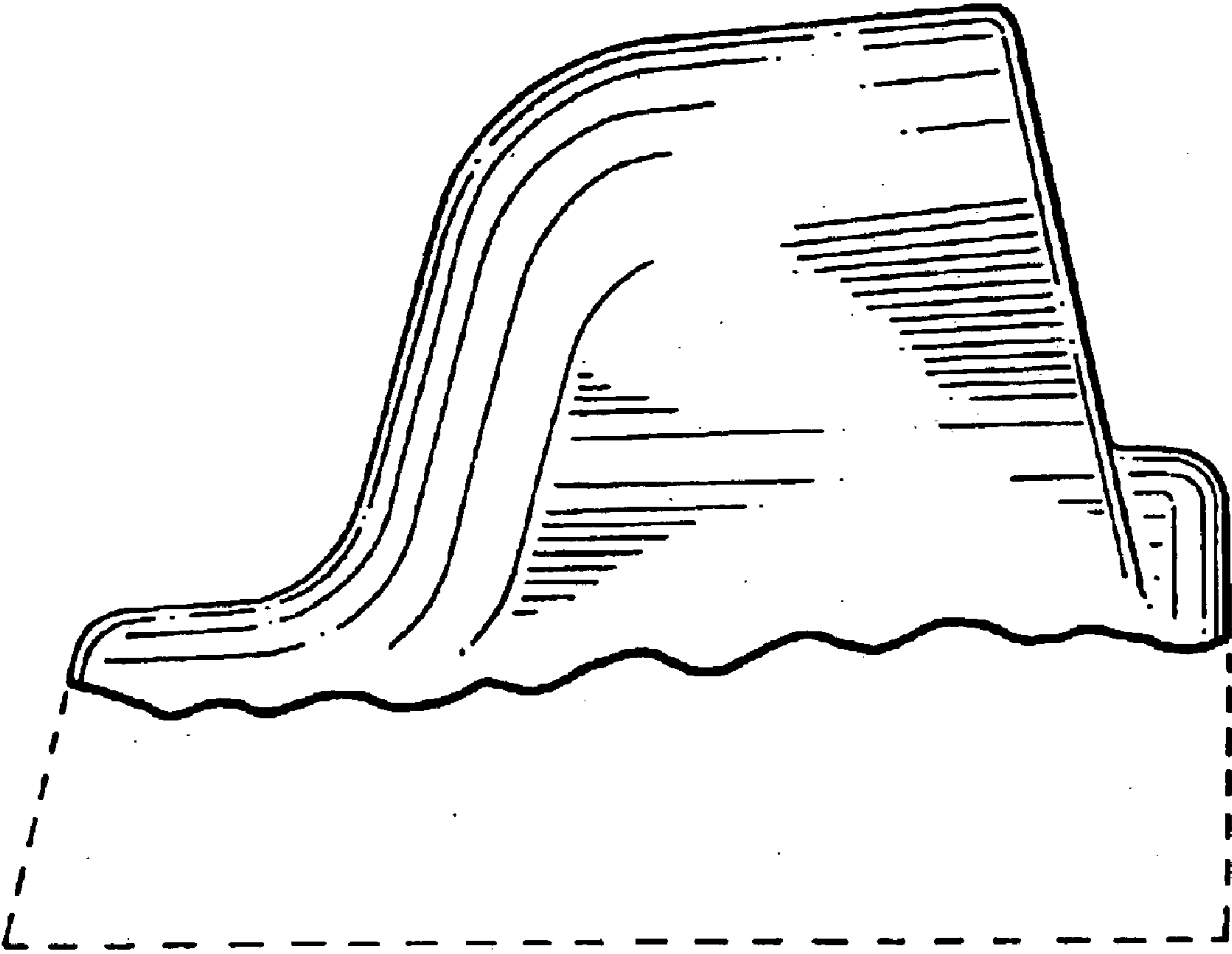


FIG. 10

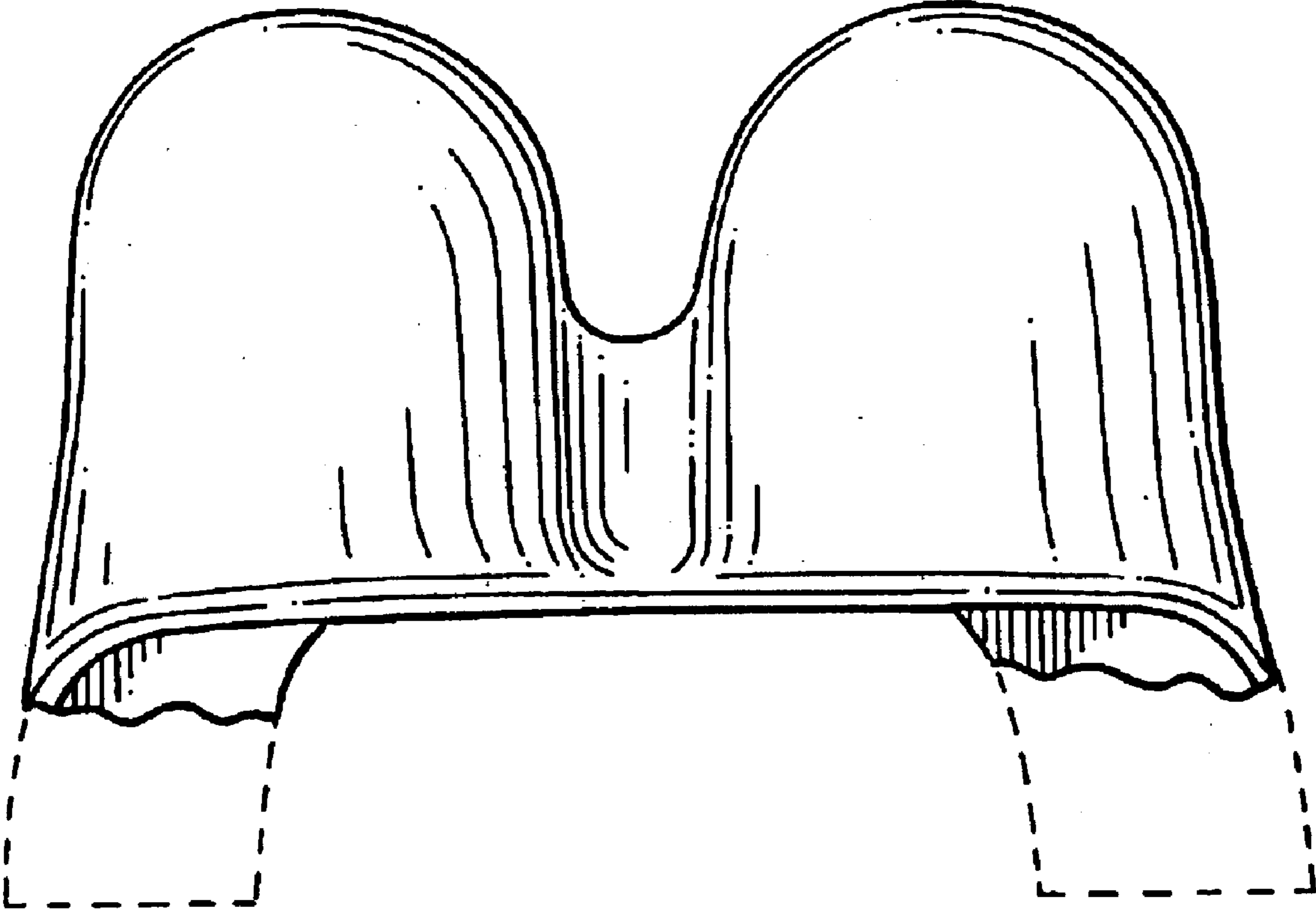


FIG. 11

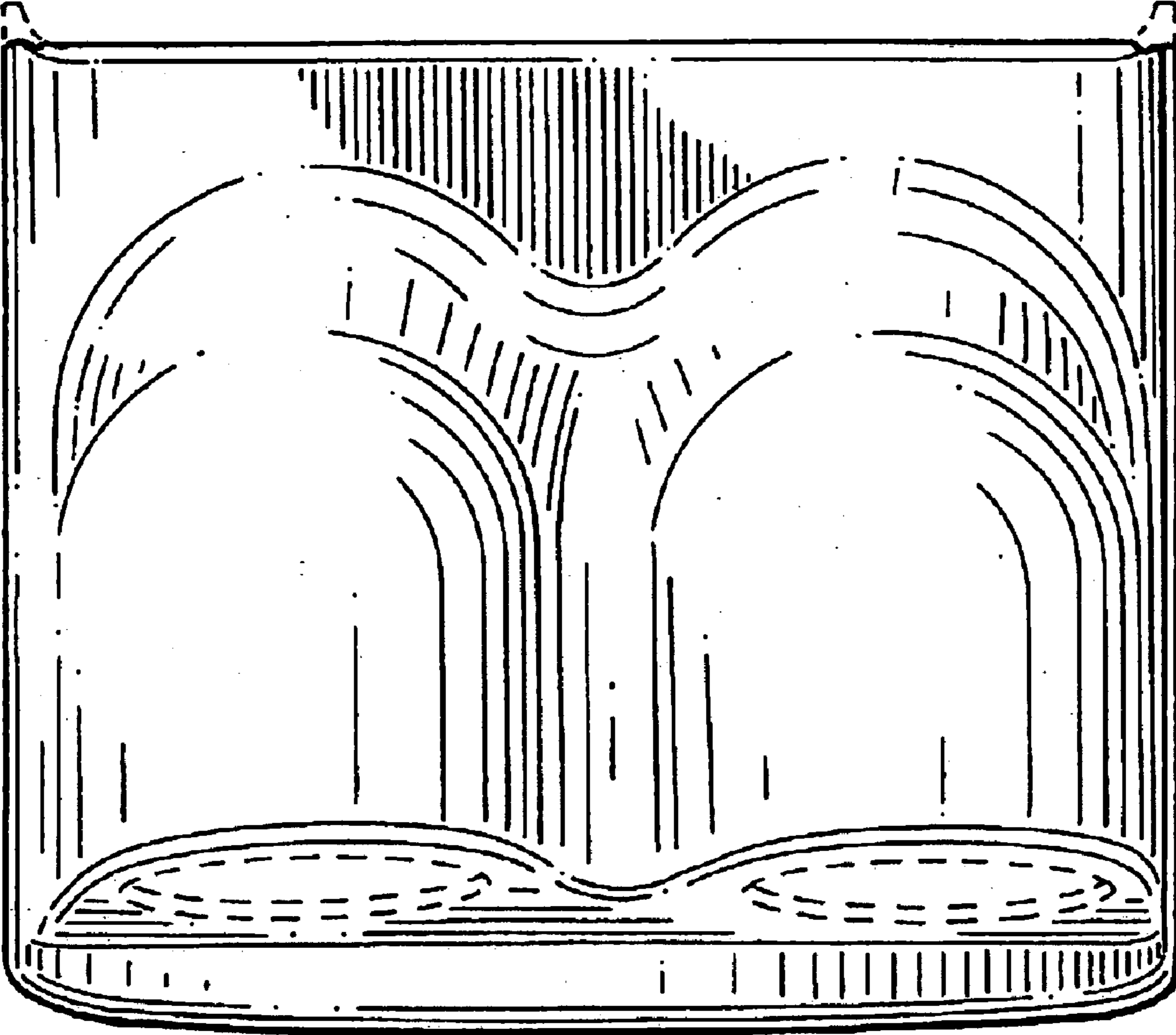


FIG. 12

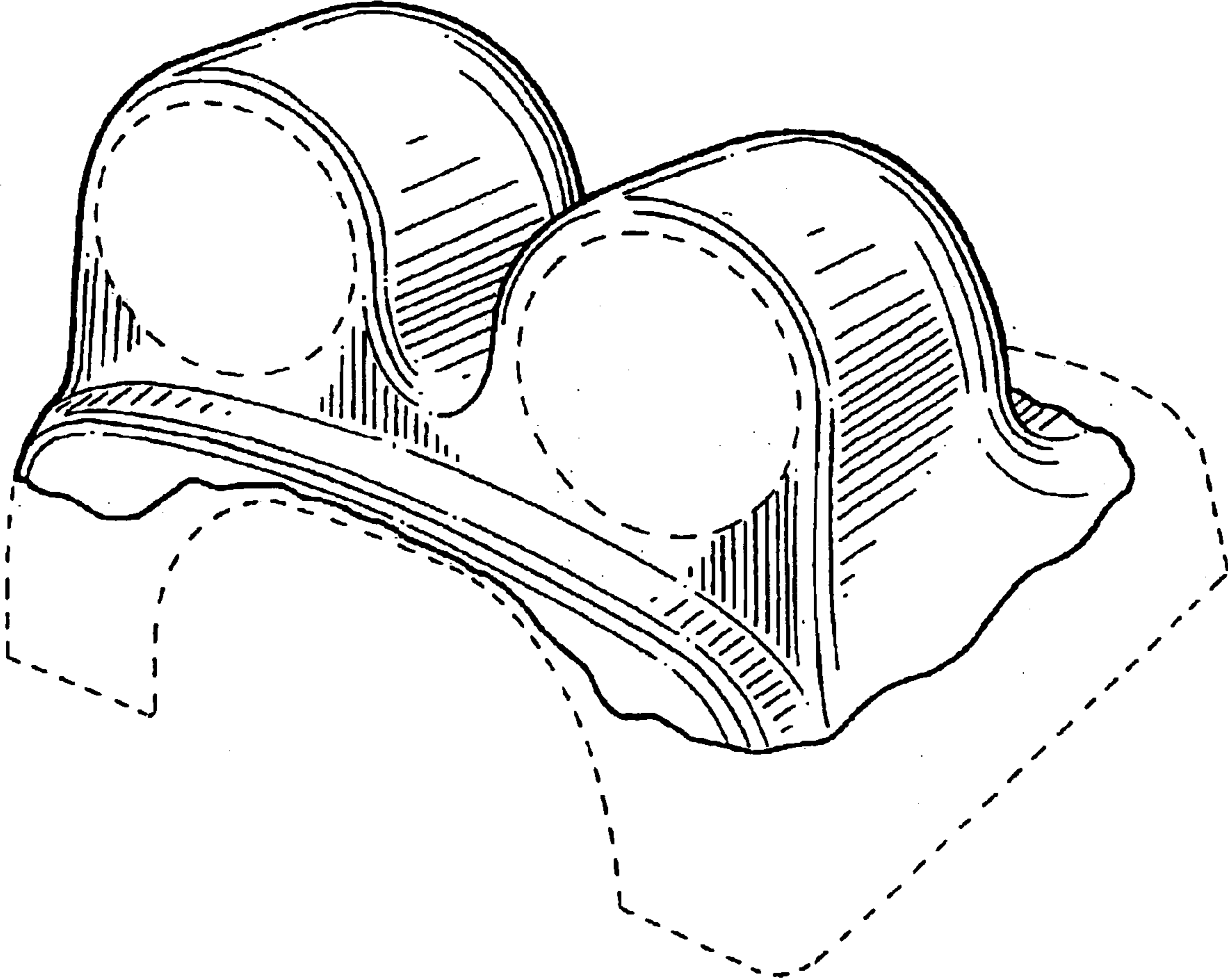


FIG. 13

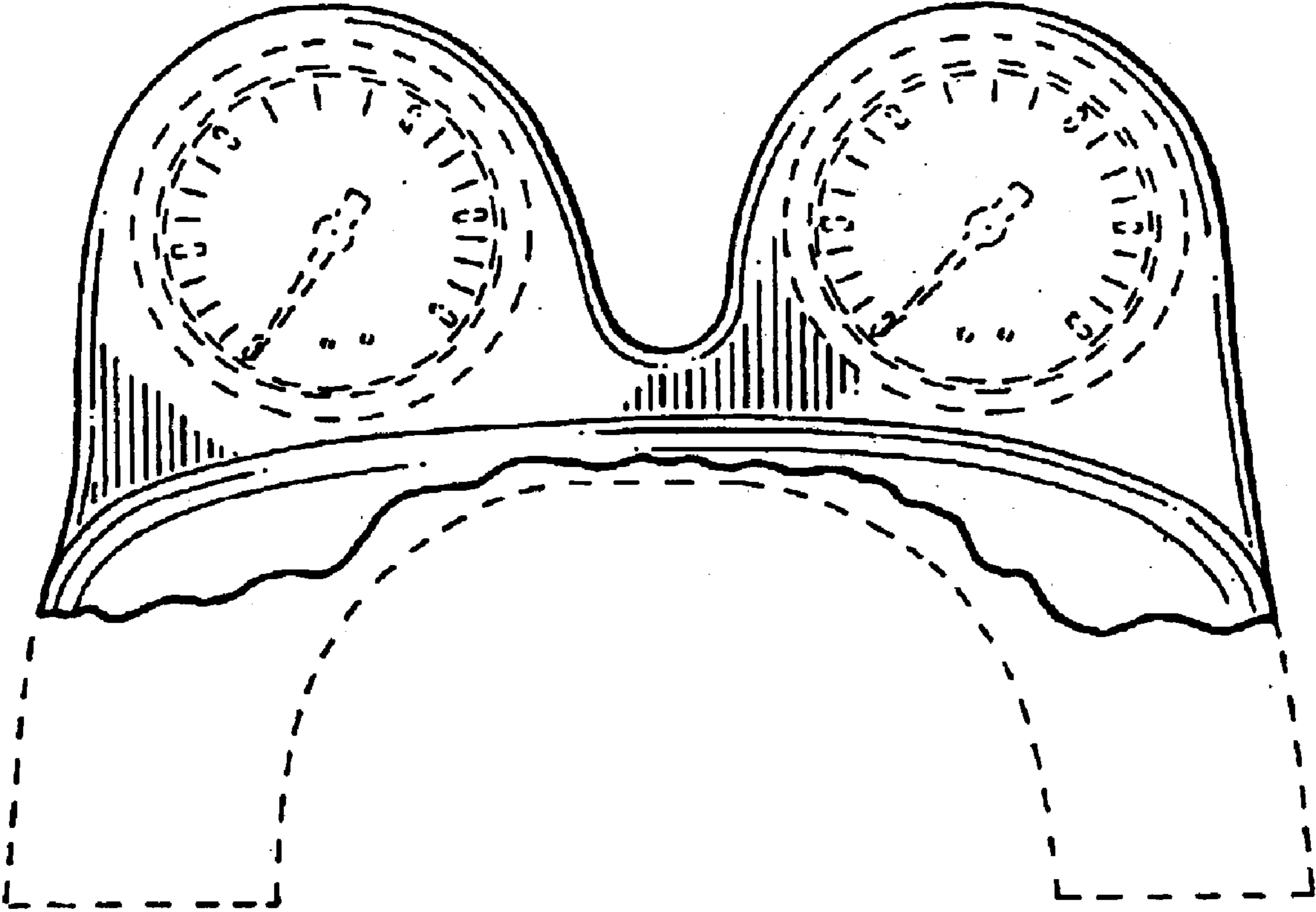


FIG. 14

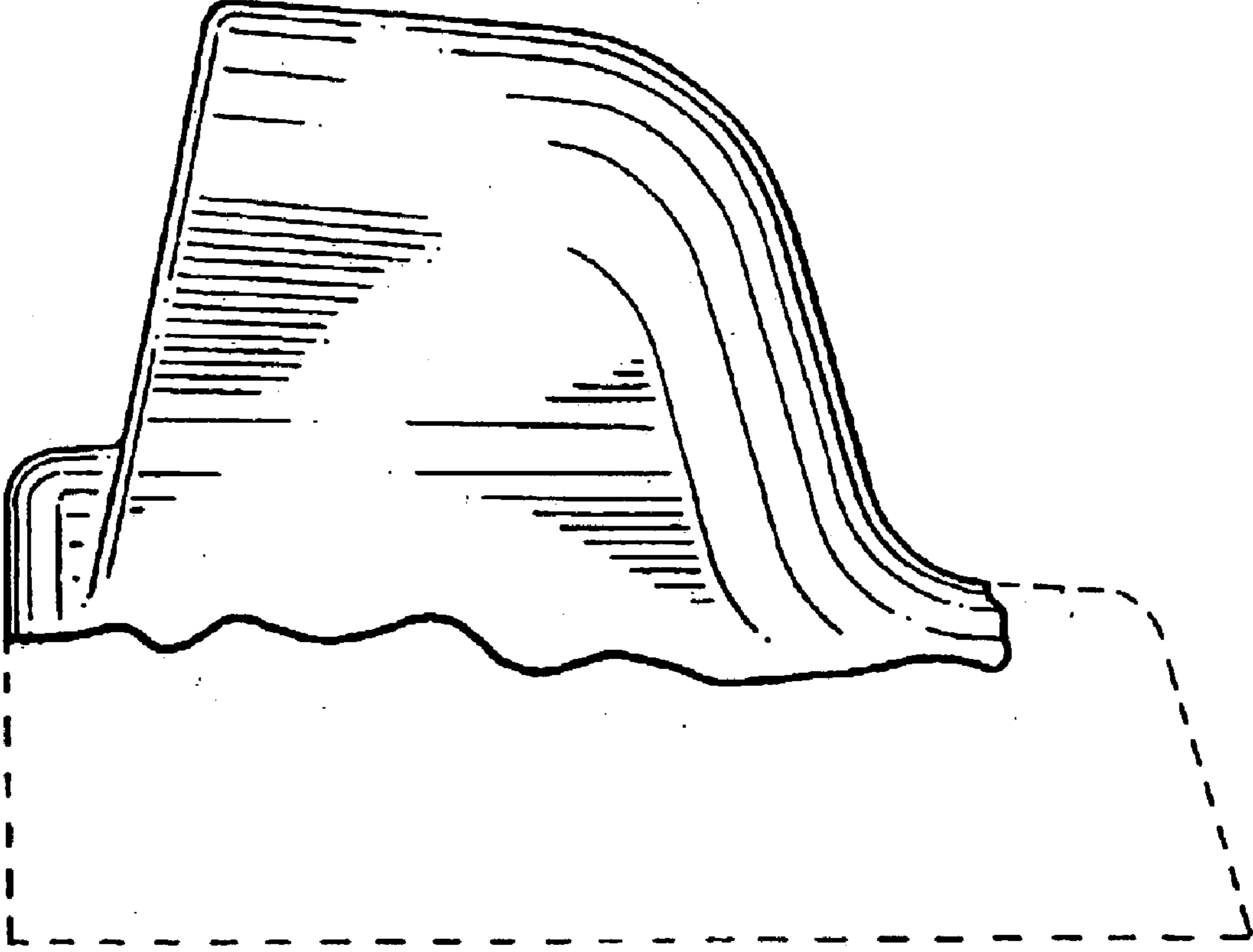


FIG. 15

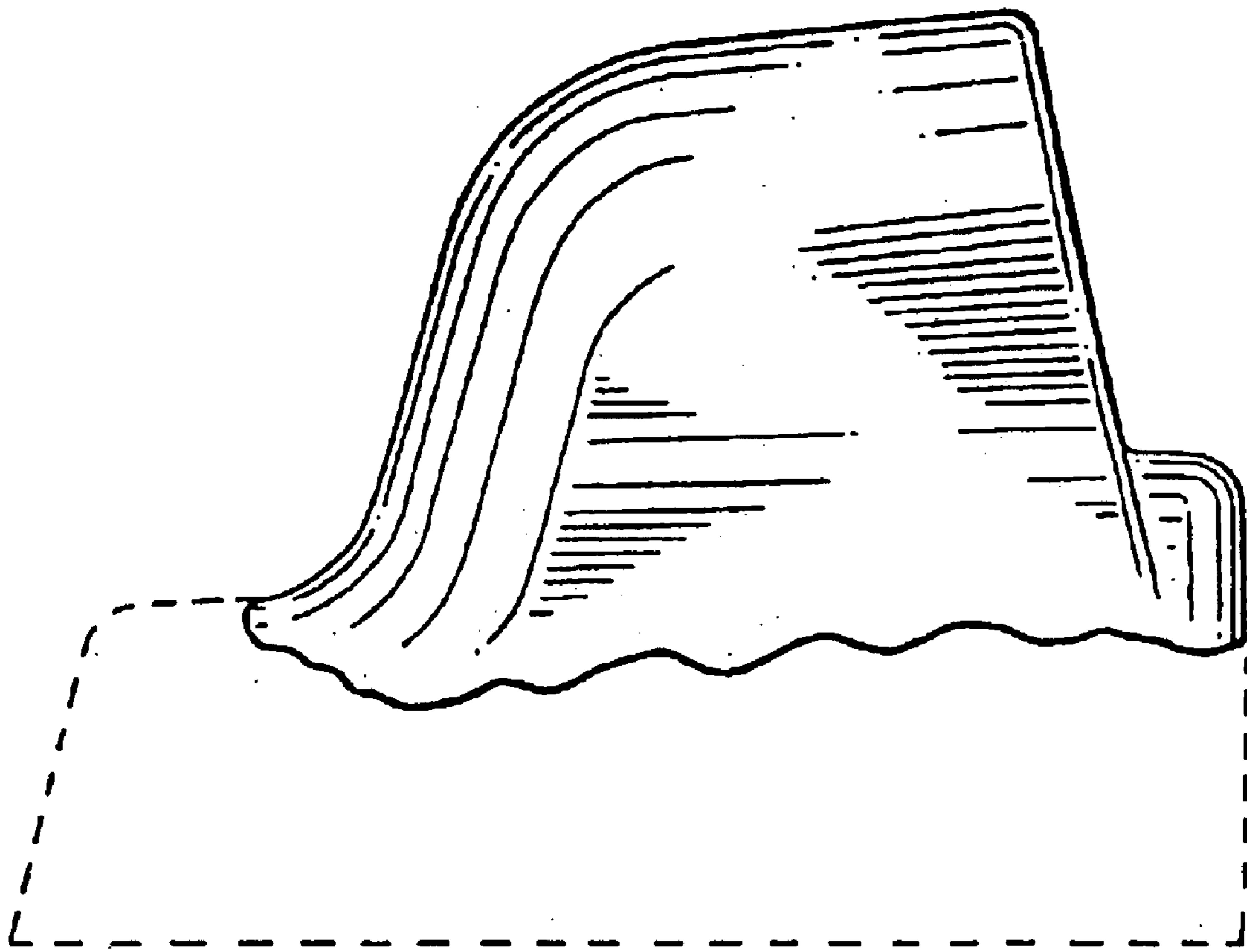


FIG. 16

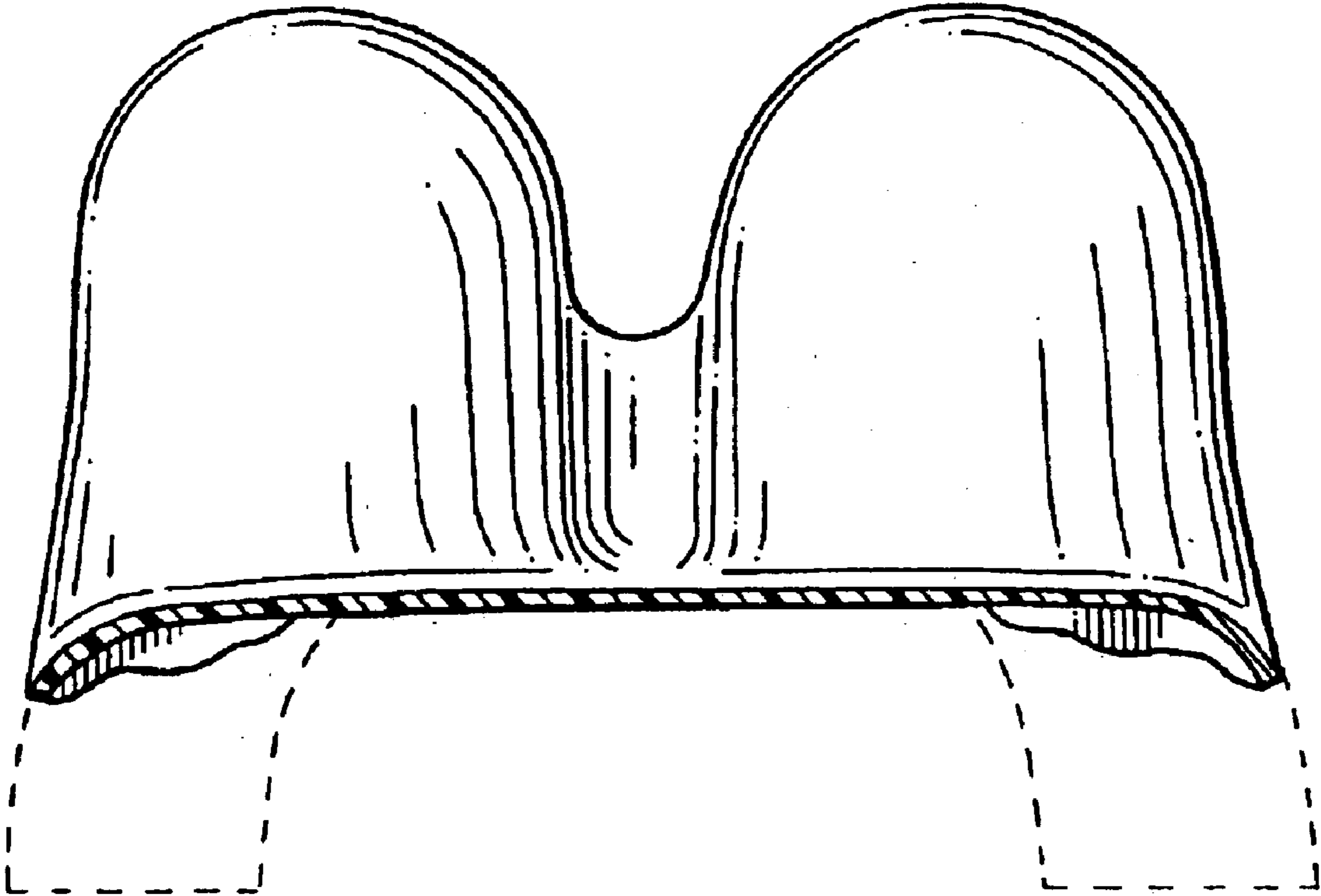


FIG. 17

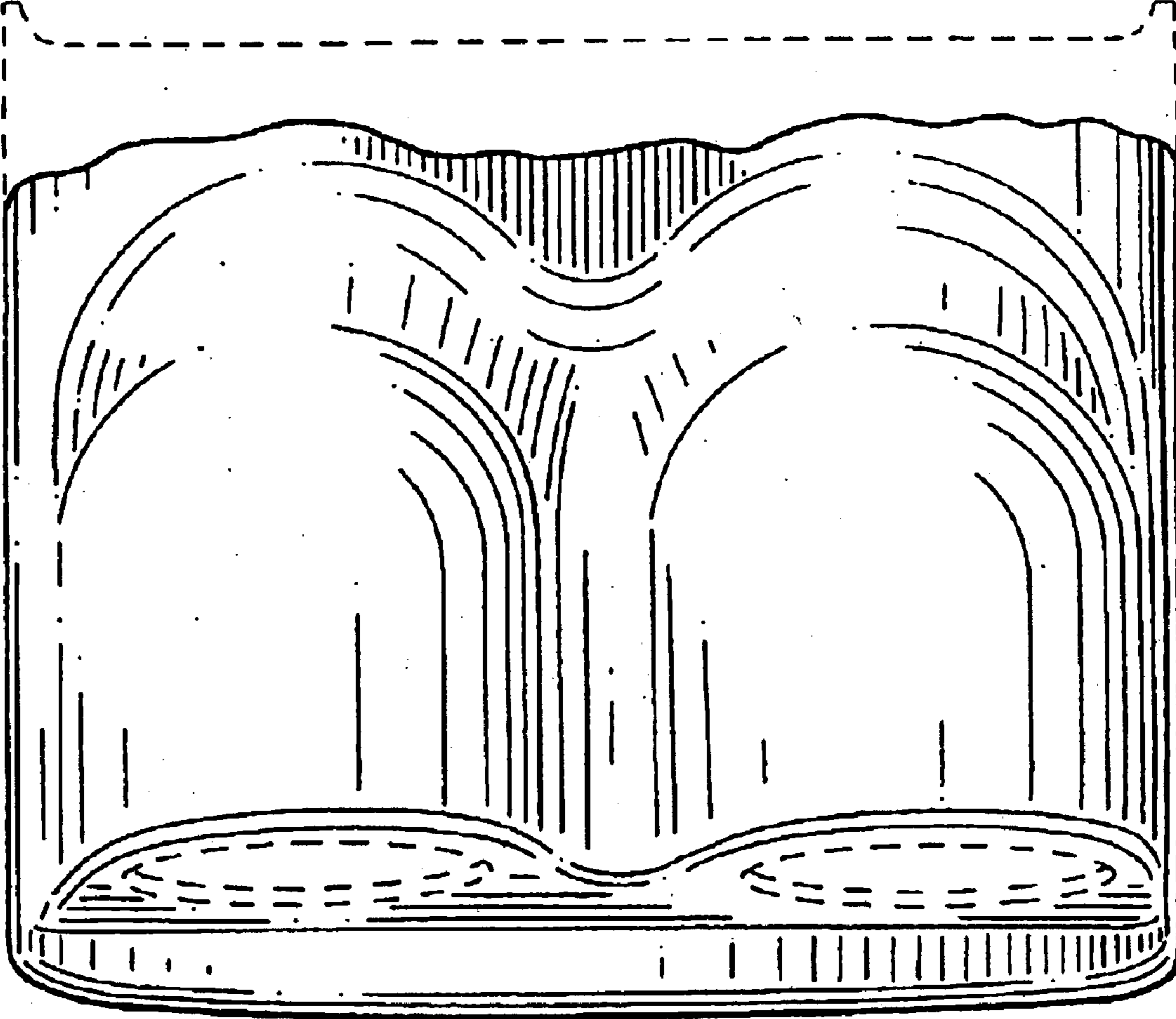


FIG. 18