



US00D492212S1

(12) **United States Design Patent**
Kobayakawa et al.

(10) **Patent No.:** **US D492,212 S**
(45) **Date of Patent:** **** Jun. 29, 2004**

(54) **SCALE**

6,292,690 B1 * 9/2001 Petrucelli et al. 600/547
D466,424 S * 12/2002 Stephens D10/92

(75) Inventors: **Tatsutoshi Kobayakawa**, Tokyo (JP);
Hajime Matsumoto, Tokyo (JP)

OTHER PUBLICATIONS

Hardware Age, Dec. 10, 1964, Back Cover, Model 301.*

(73) Assignee: **Tanita Corporation**, Tokyo (JP)

* cited by examiner

(**) Term: **14 Years**

Primary Examiner—Lucy Lieberman

(21) Appl. No.: **29/188,288**

(74) *Attorney, Agent, or Firm*—McDermott, Will & Emery

(22) Filed: **Aug. 18, 2003**

(57) **CLAIM**

(30) **Foreign Application Priority Data**

The ornamental design for a scale, as shown and described.

Feb. 26, 2003 (JP) 2003-004606

DESCRIPTION

(51) **LOC (7) Cl.** **10-04**

The scale to which our design is applied will function as follows: When a person stands on the scale, the person's weight and the person's body fat rate can be calculated and displayed on the display.

(52) **U.S. Cl.** **D10/88**; D10/92

(58) **Field of Search** D10/87-92, 83,
D10/97, 94; 600/547, 506; 324/692; 177/238-245,
177, 199, 210 R, 25.12-25.18, DIG. 3,
4

FIG. 1 is a front view of a scale according to our novel design;

FIG. 2 is a rear view of the scale of FIG. 1;

FIG. 3 is a right side view of the scale of FIG. 1, the left side view thereof being symmetrical thereto;

FIG. 4 is a plan view of the scale of FIG. 1;

FIG. 5 is a bottom view of the scale of FIG. 1; and,

FIG. 6 is a plan view of the scale of FIG. 1 with the display being switched on.

(56) **References Cited**

U.S. PATENT DOCUMENTS

3,167,144 A * 1/1965 Jacobs et al. 177/239
D403,978 S * 1/1999 Kurata et al. D10/92
D427,095 S * 6/2000 Ishikawa et al. D10/92
D444,089 S * 6/2001 Joss et al. D10/92
D444,724 S * 7/2001 Joss et al. D10/92

1 Claim, 3 Drawing Sheets

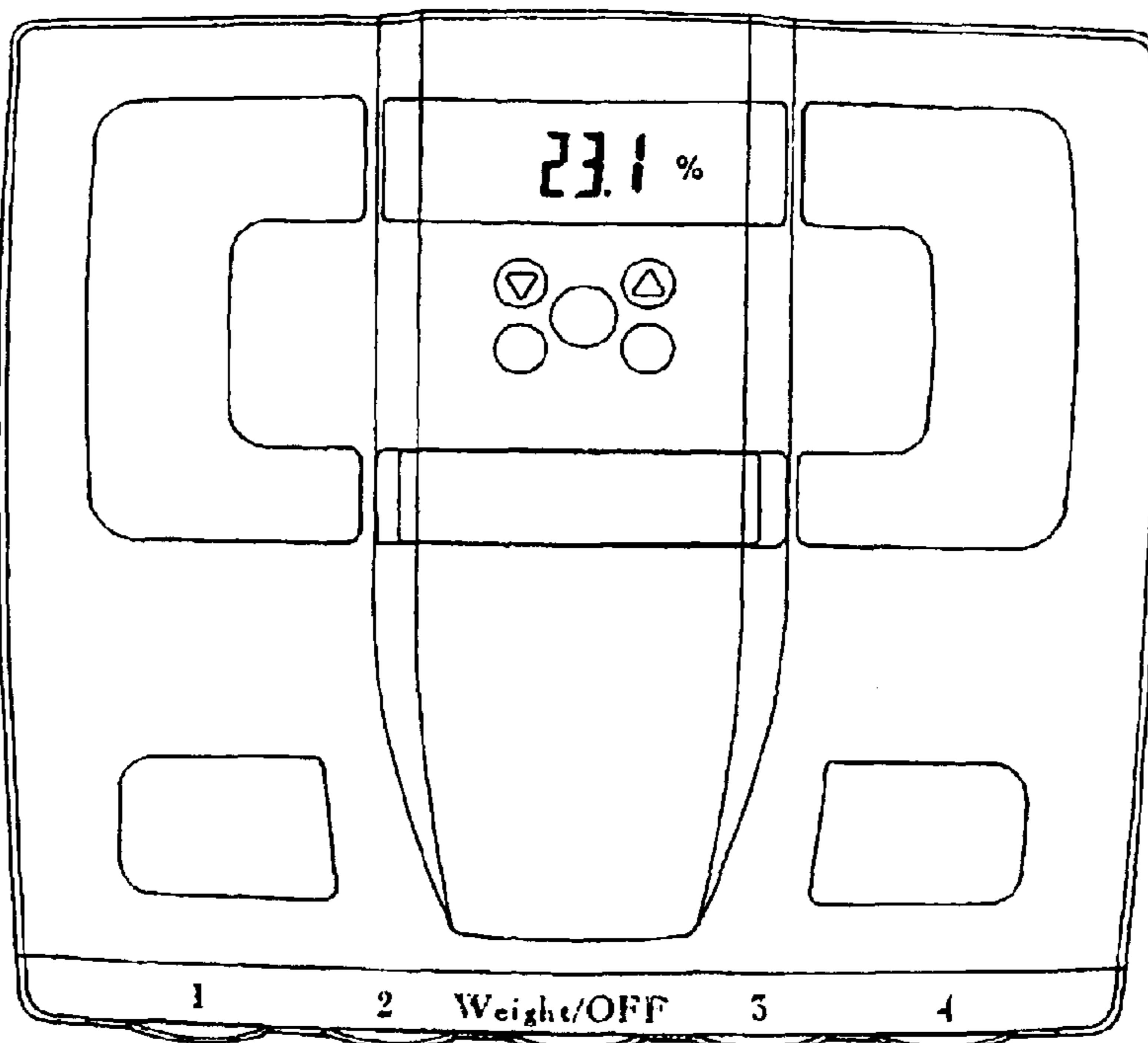


FIG. 1

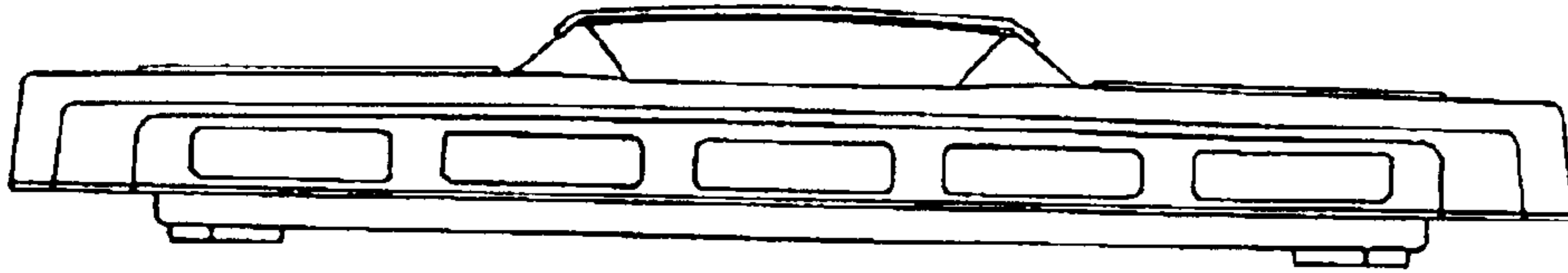


FIG. 2

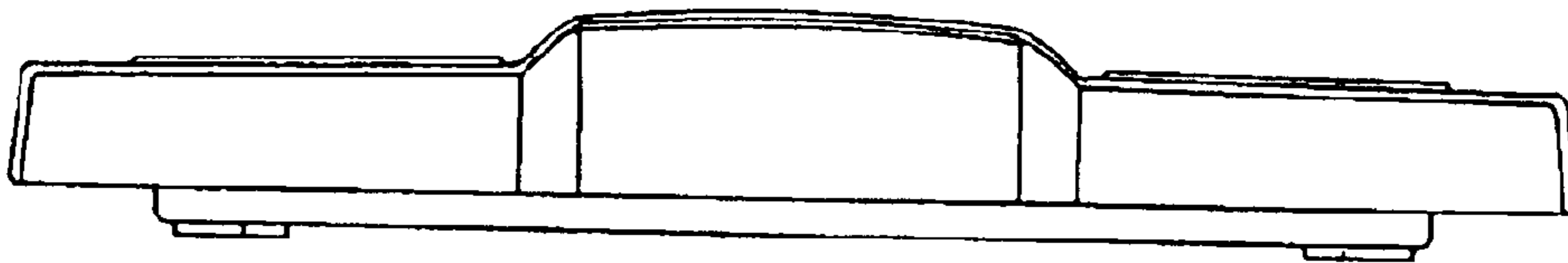


FIG. 3

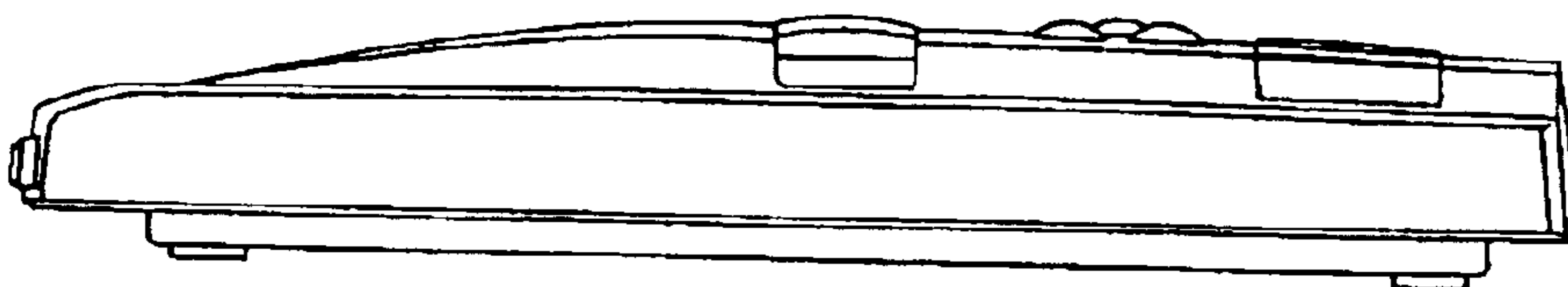


FIG. 4

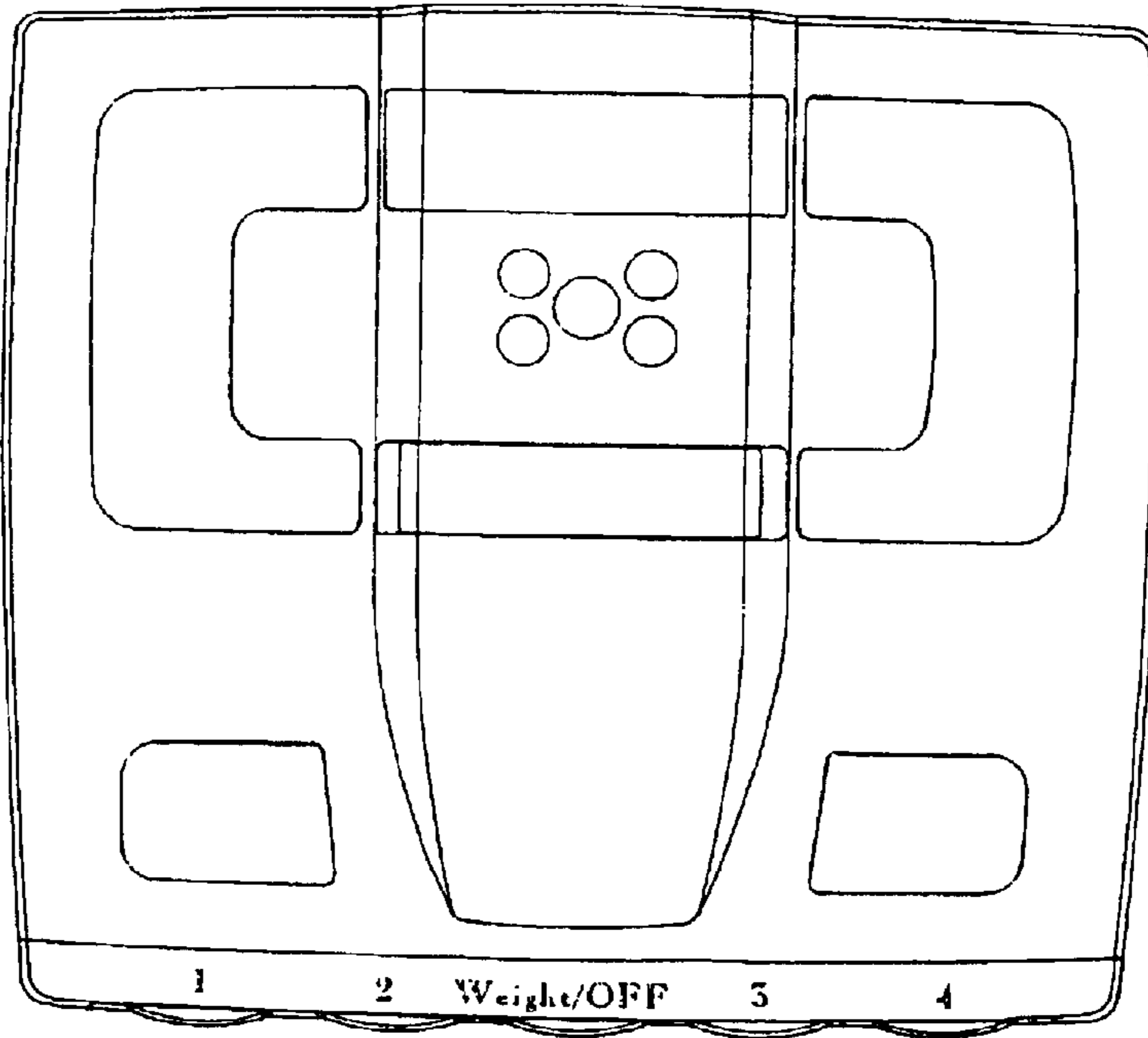


FIG. 5

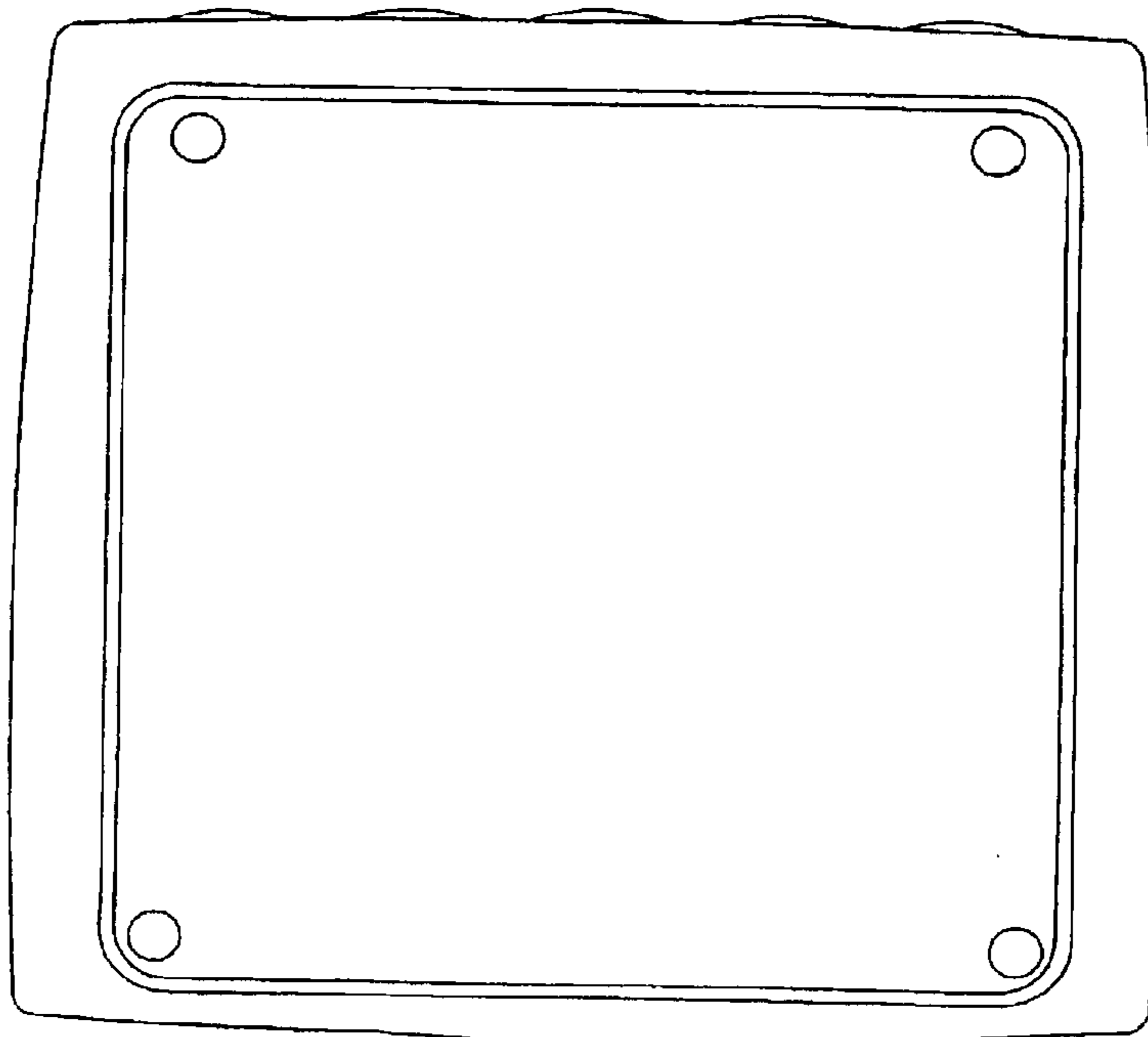


FIG. 6

