

US00D492210S1

(12) **United States Design Patent**
Shilo et al.

(10) **Patent No.:** **US D492,210 S**
(45) **Date of Patent:** **** Jun. 29, 2004**

(54) **TILE SPACER**

(76) Inventors: **Erez Shilo**, 223 Franklin Pl.,
Woodmere, NY (US) 11598; **Yitshak**
Shilo, 223 Franklin Pl., Woodmere, NY
(US) 11598

(**) Term: **14 Years**

(21) Appl. No.: **29/181,928**

(22) Filed: **May 16, 2003**

(51) **LOC (7) Cl.** **10-04**

(52) **U.S. Cl.** **D10/64**

(58) **Field of Search** D10/64, 65; 33/526,
33/518, 527, DIG. 20

(56) **References Cited**

U.S. PATENT DOCUMENTS

4,793,068 A *	12/1988	Golkar	33/526
5,288,534 A *	2/1994	Tavshanjian	428/64.1
6,612,045 B2 *	9/2003	Kruskamp	33/526

* cited by examiner

Primary Examiner—Antoine D. Davis

(74) *Attorney, Agent, or Firm*—Howard C. Miskin, Esq.;
Gloria Tsui-Yip, Esq.

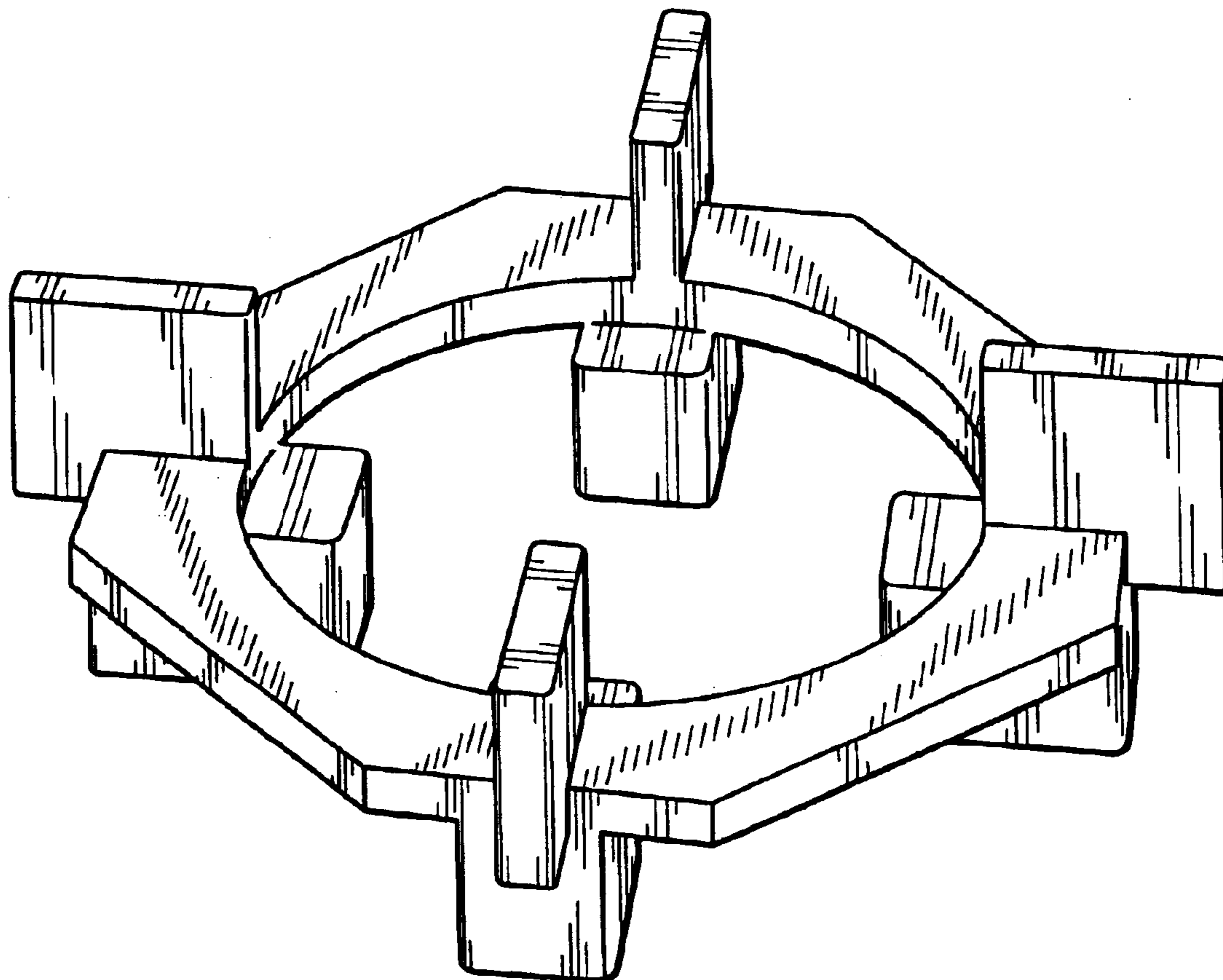
(57) **CLAIM**

The ornamental design for tile spacer, shown and described.

DESCRIPTION

FIG. 1 is a perspective view of my new tile spacer;
 FIG. 2 is a top plan view thereof;
 FIG. 3 is a bottom plan view thereof;
 FIG. 4 is a front elevational view thereof, the rear elevational, left and right side views being identical;
 FIG. 5 is a perspective view of a second embodiment of my new design;
 FIG. 6 is a top plan view thereof;
 FIG. 7 is a bottom plan view thereof;
 FIG. 8 is a front elevational view thereof, the rear elevational, left and right side views being identical;
 FIG. 9 is a perspective view of a third embodiment of my new design;
 FIG. 10 is a perspective view of a fourth embodiment of my new design; and,
 FIG. 11 is a perspective view of a fifth embodiment of my new design.

1 Claim, 6 Drawing Sheets



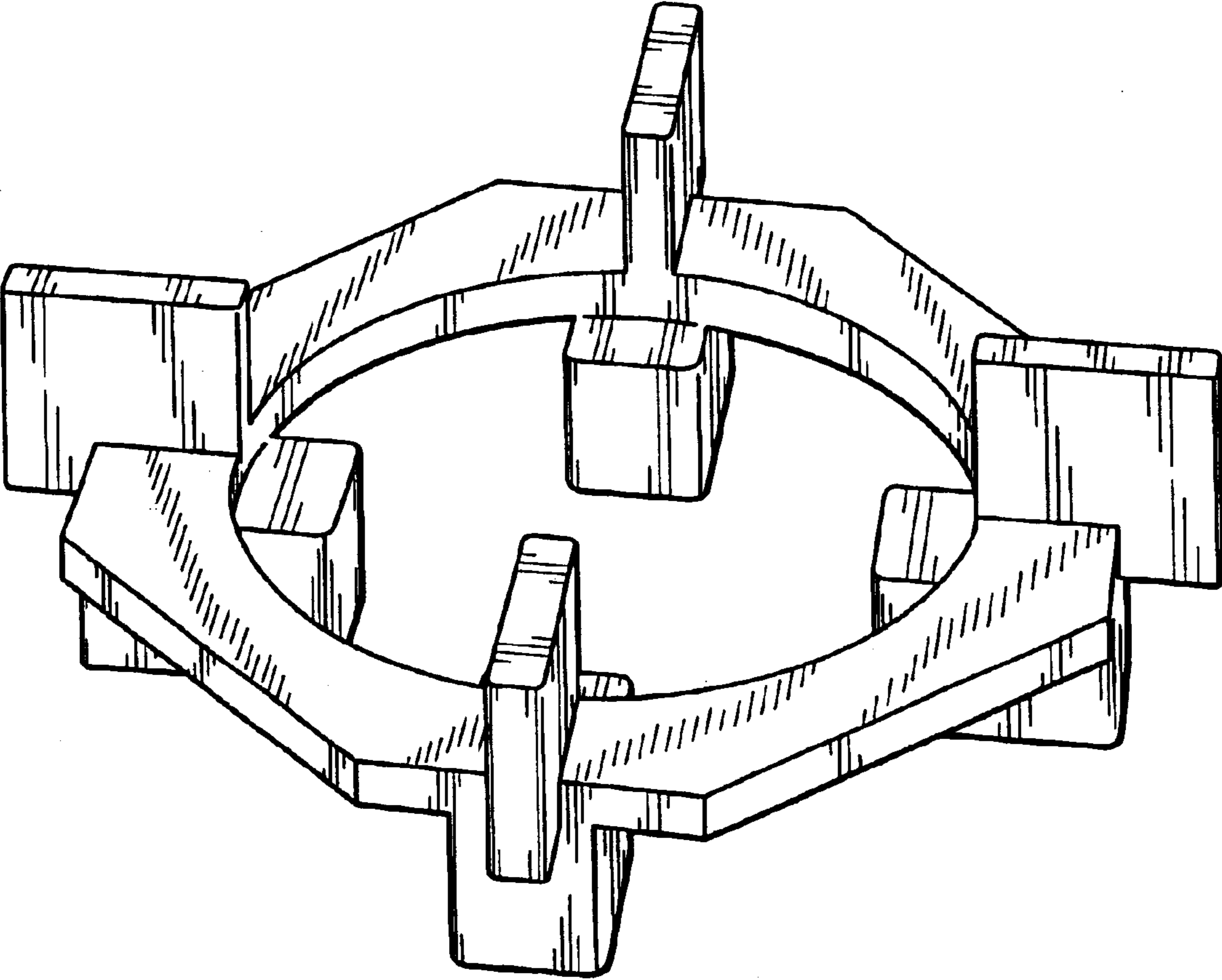


FIG. 1

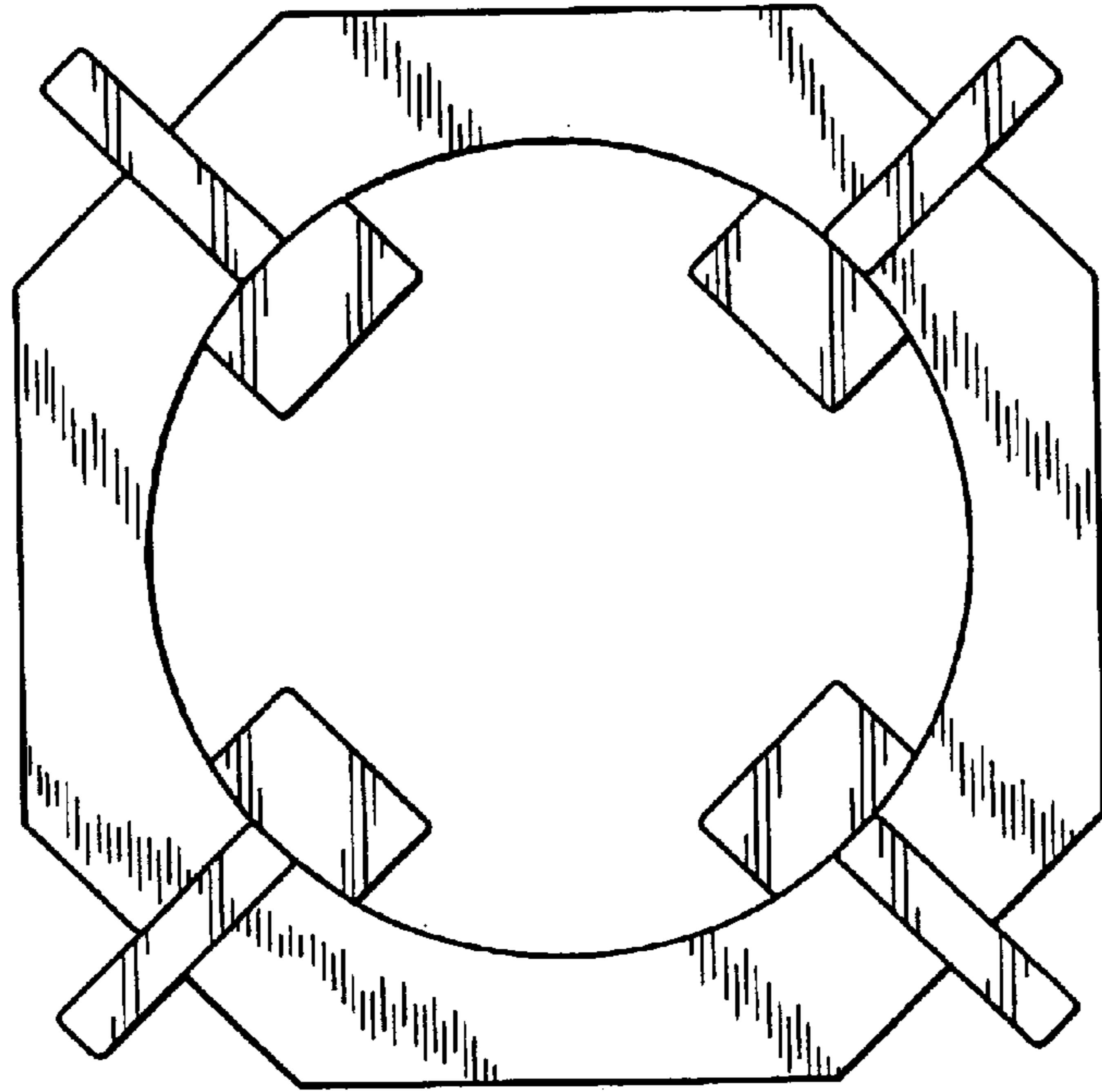


FIG. 2

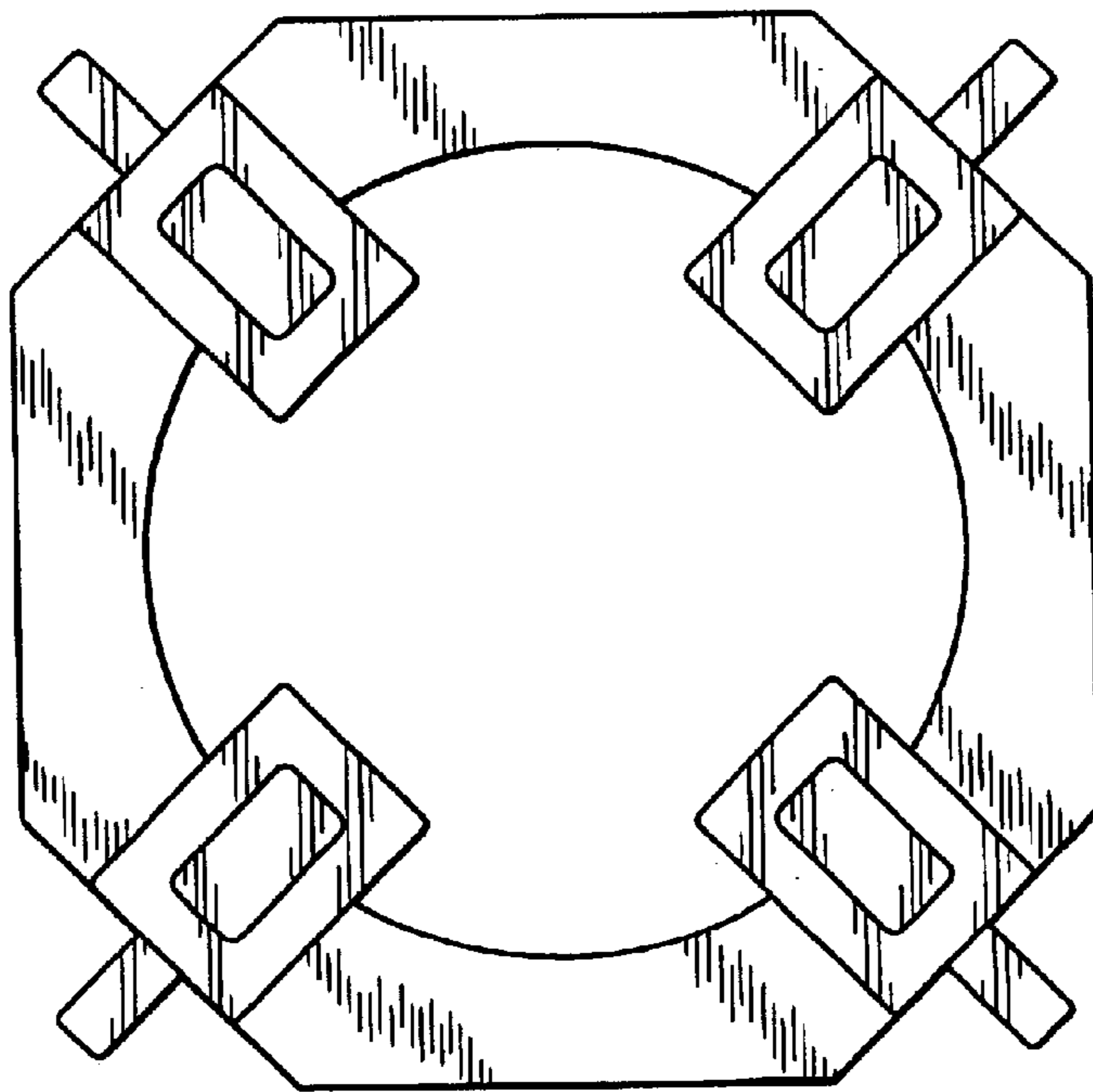


FIG. 3

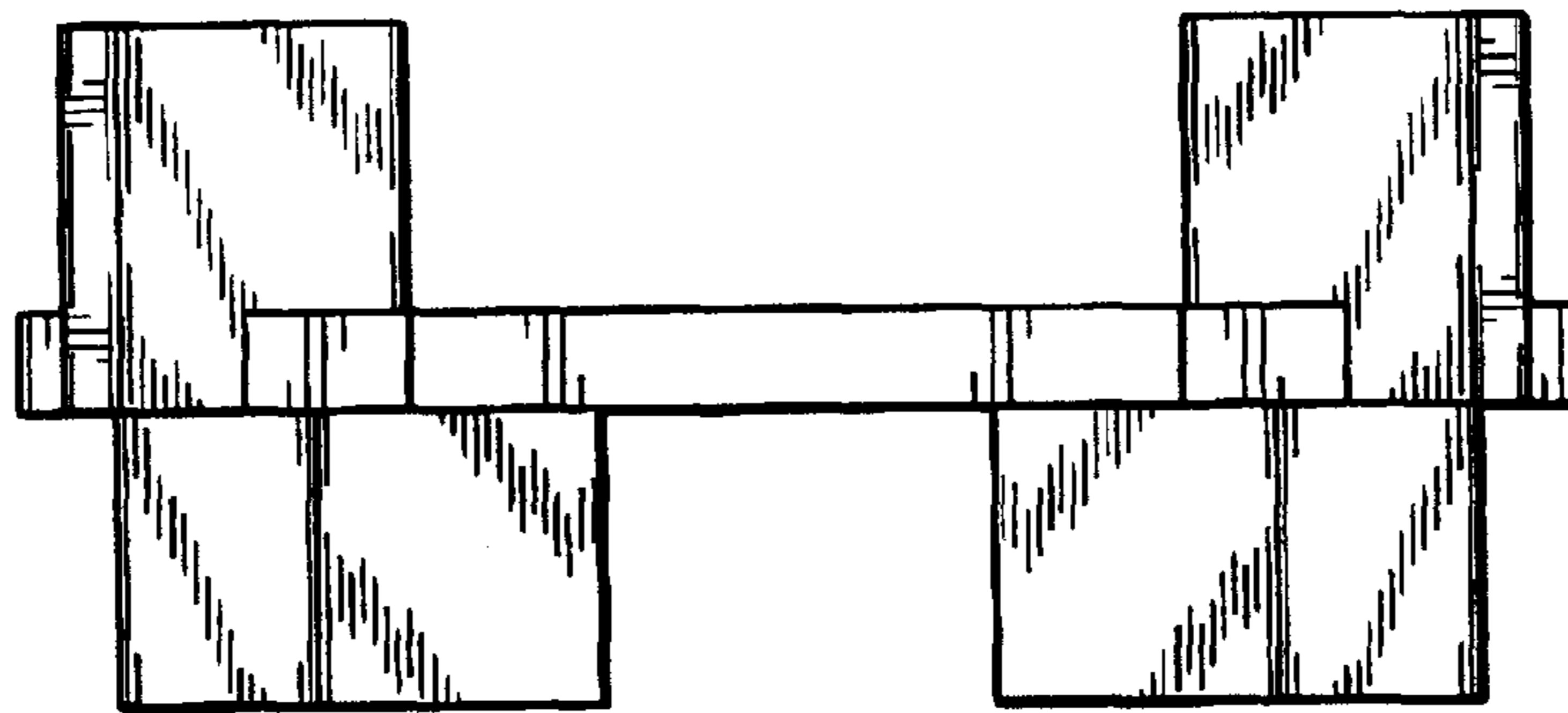


FIG. 4

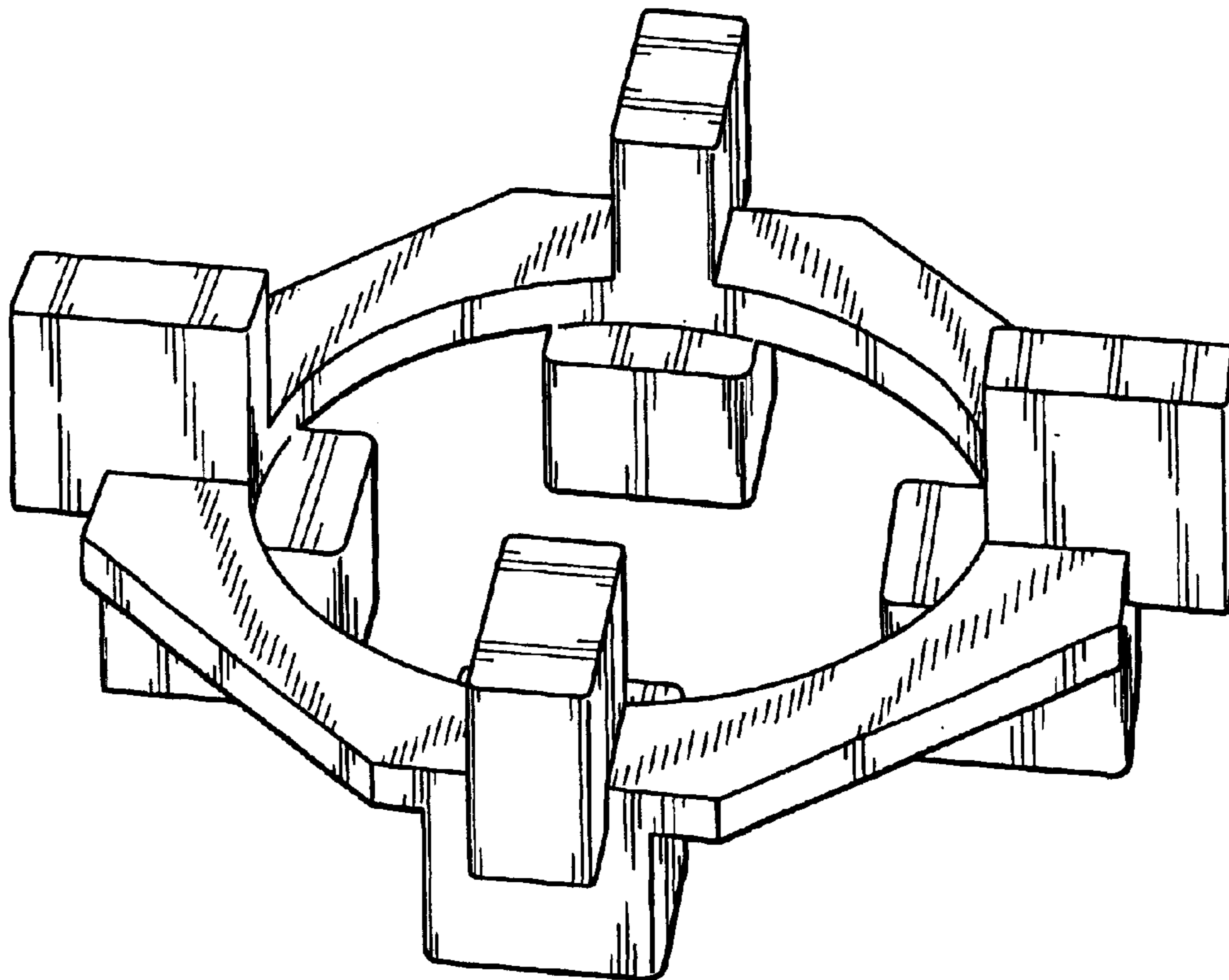


FIG. 5

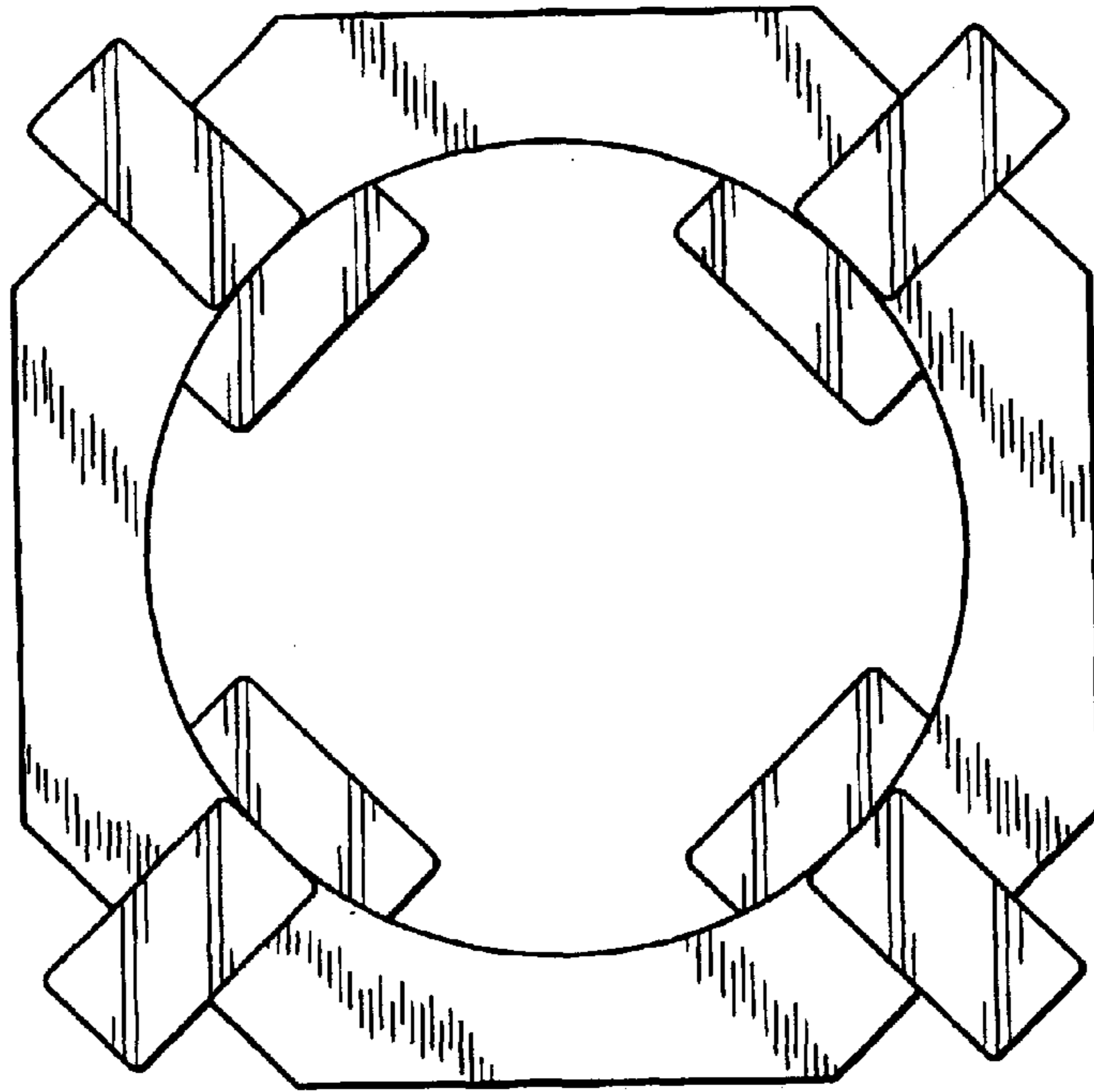


FIG. 6

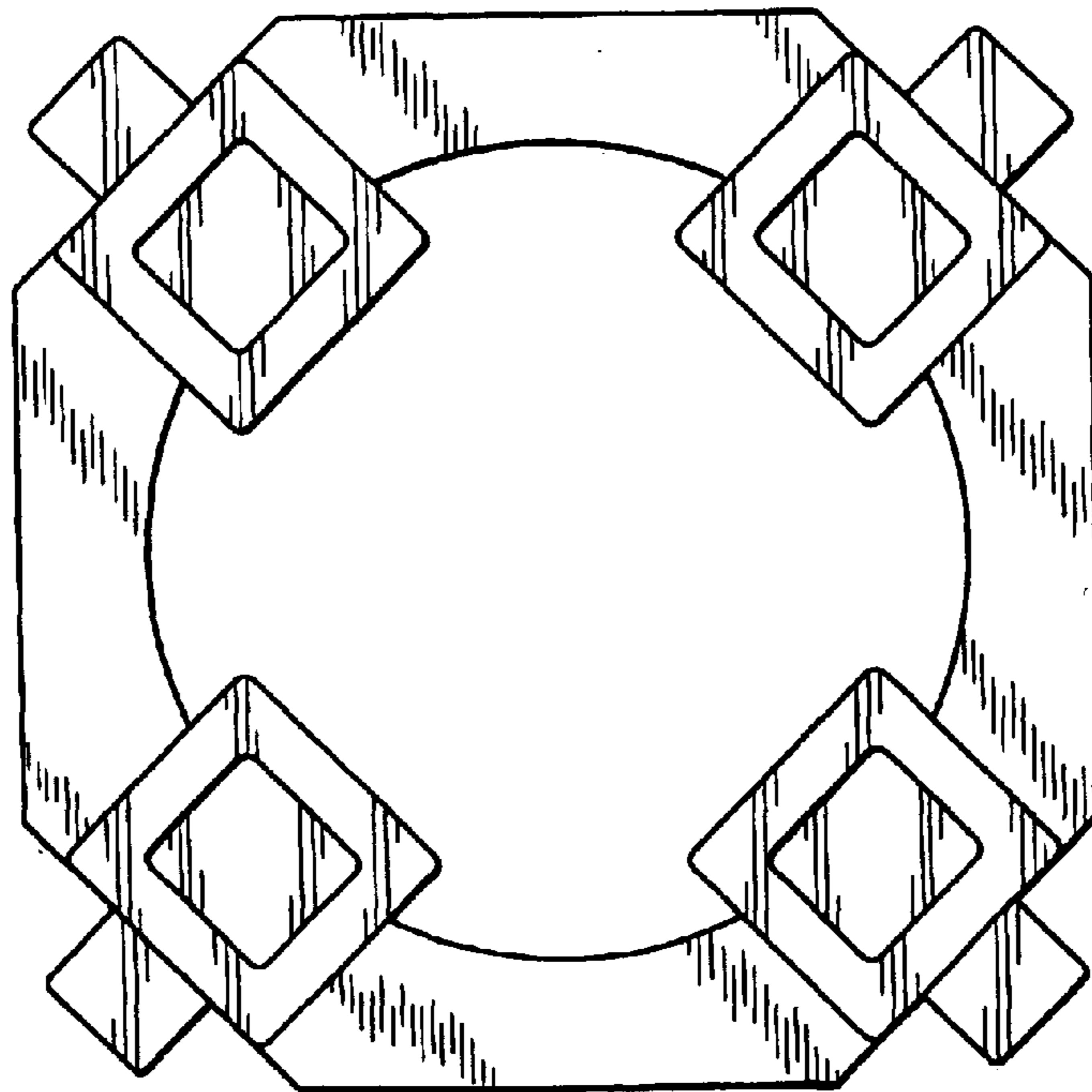


FIG. 7

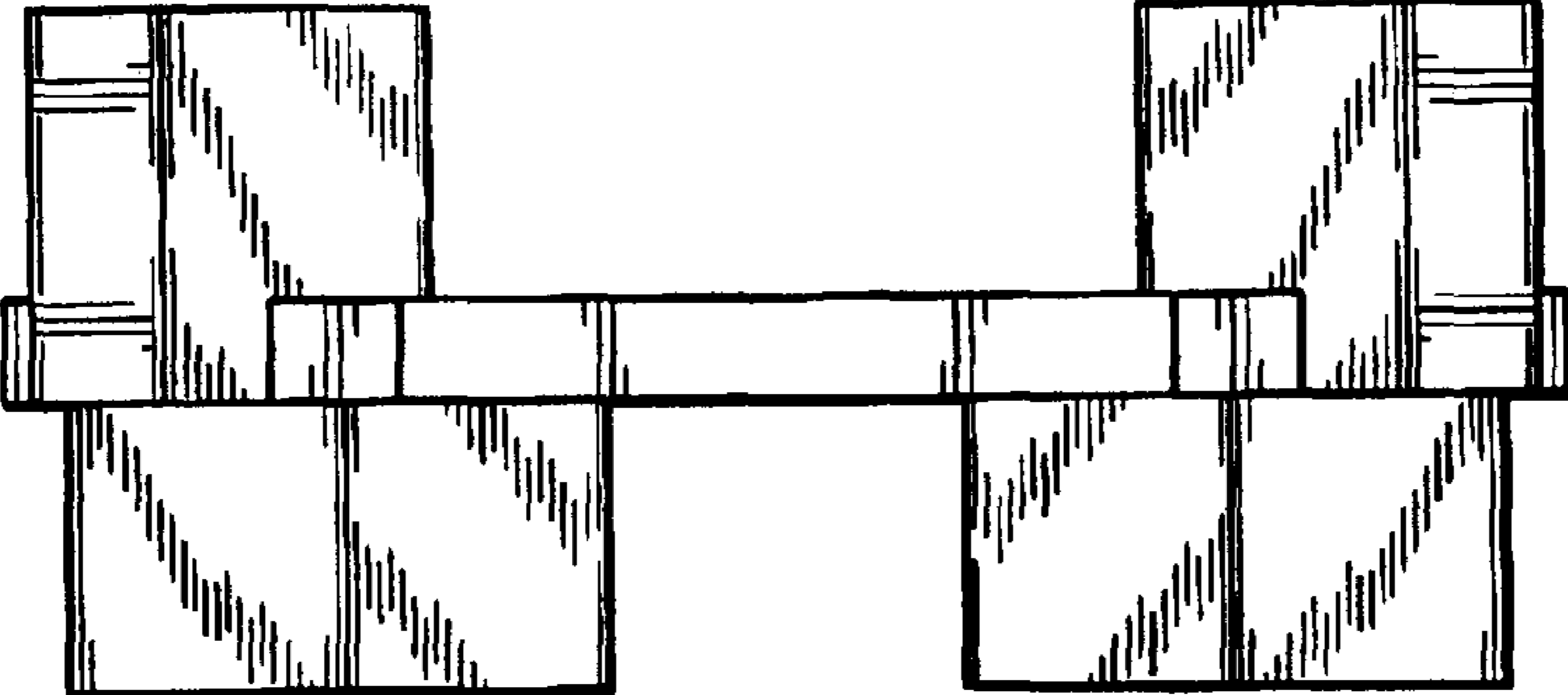


FIG. 8

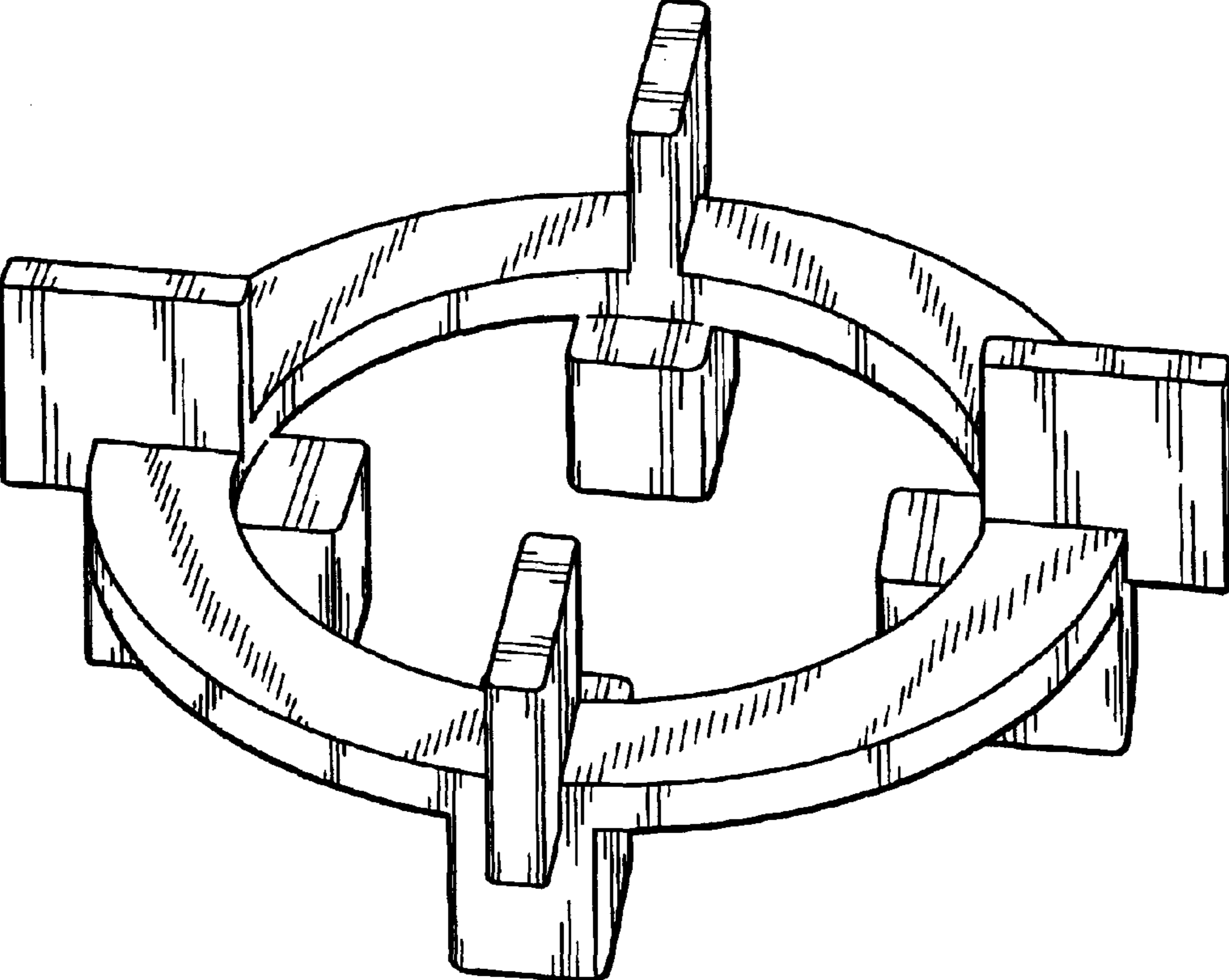


FIG. 9

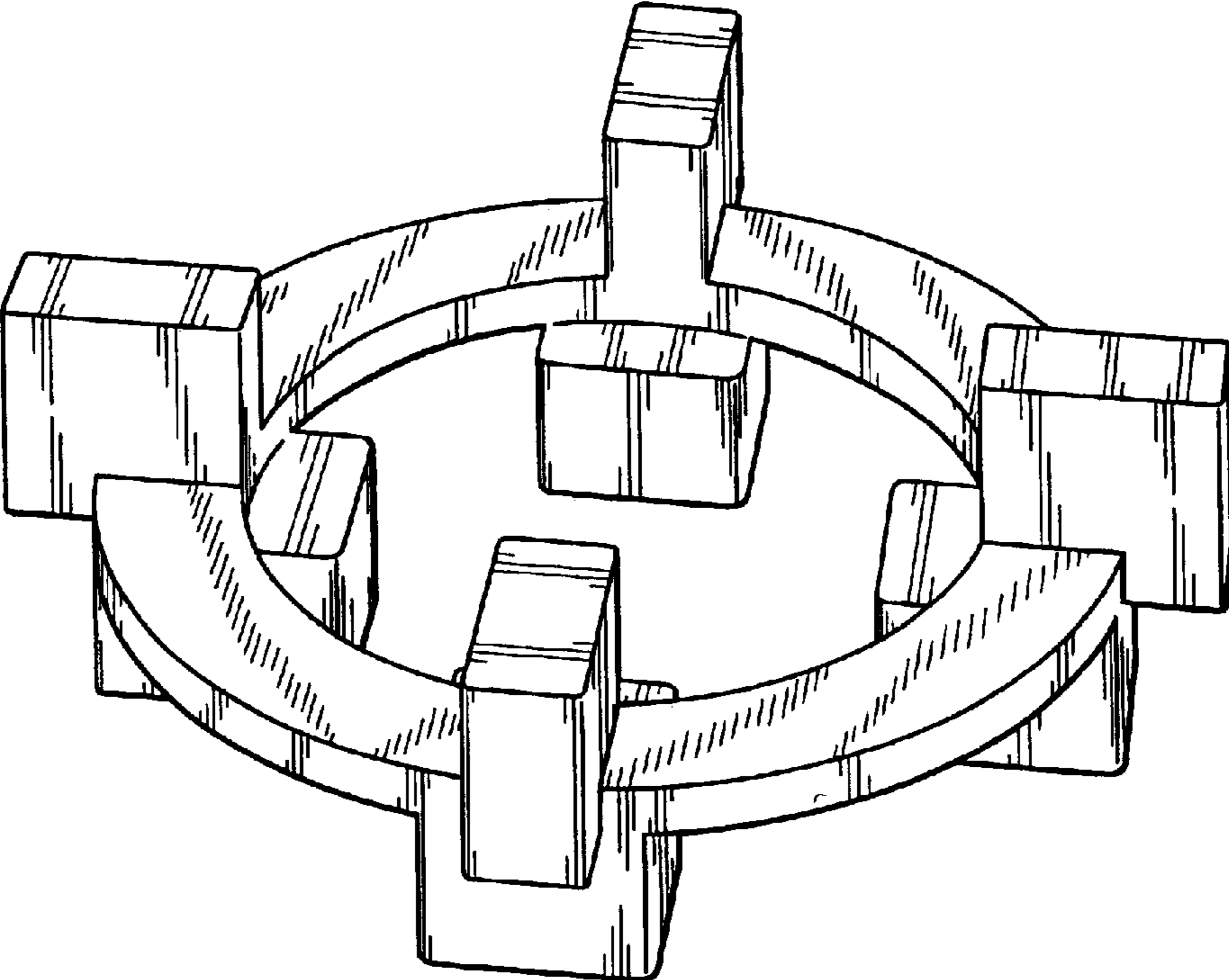


FIG. 10

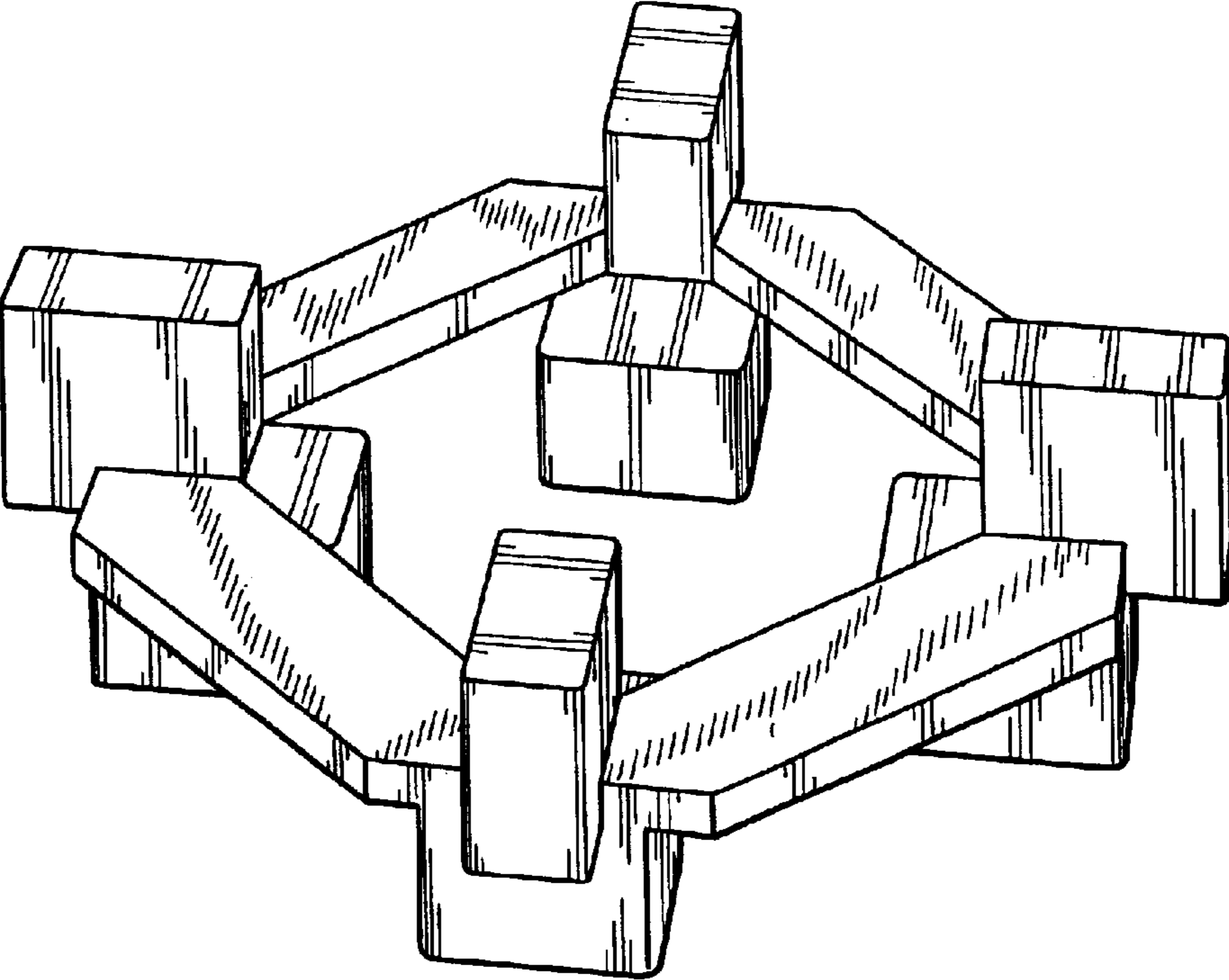


FIG. 11