



US00D492200S1

(12) **United States Design Patent** (10) **Patent No.:** **US D492,200 S**
Solowiejko et al. (45) **Date of Patent:** **** Jun. 29, 2004**

(54) **SPICE CONTAINER WITH TEAR STRIP**

(75) Inventors: **George Solowiejko**, Rockford, IL (US);
Edward Cronin, Brodhead, WI (US);
Gordon E. VerWeyst, Rockford, IL (US)

(73) Assignee: **J.L. Clark, Inc.**, Rockford, IL (US)

(**) Term: **14 Years**

(21) Appl. No.: **29/179,154**

(22) Filed: **Apr. 4, 2003**

(51) **LOC (7) Cl.** **09-01**

(52) **U.S. Cl.** **D9/515; D9/518**

(58) **Field of Search** D7/590-596; D9/449,
D9/300, 337-339, 500-503, 509, 511-514,
515, 516, 518, 523-524, 572-575; 215/379-383,
400; 220/890

(56) **References Cited**

U.S. PATENT DOCUMENTS

D339,528 S	*	9/1993	Rueppel	D9/515
5,779,082 A	*	7/1998	Miramón	220/212
D446,722 S	*	8/2001	Morrow	D9/449
D450,586 S	*	11/2001	Kick	D9/449
D473,107 S	*	4/2003	McGuyer	D7/591

* cited by examiner

Primary Examiner—Sandra L. Morris
(74) *Attorney, Agent, or Firm*—Leydig, Voit & Mayer, Ltd.

(57) **CLAIM**

We claim the ornamental design of the spice container with tear strip, as shown and described.

DESCRIPTION

FIG. 1 is a perspective view of the container with tear strip, with the doors in the closed position;

FIG. 2 is a perspective view similar to FIG. 1 but with the doors in an open position, and the tear strip removed;

FIG. 3 is a top view of the container with tear strip as shown in FIG. 1;

FIG. 4 is a front view of the container with tear strip as shown in FIG. 3, the back view would be identical;

FIG. 5 is a side view of the container with tear strip as shown in FIG. 4 taken from the left;

FIG. 6 is a side view of the container with tear strip as shown in FIG. 3 taken from the right;

FIG. 7 is a bottom view of the container with tear strip as shown in FIG. 1; and,

FIG. 8 is a perspective view of the container with tear strip of FIG. 1 taken from the bottom.

The broken line showing is for illustrative purposes only, and forms no part of the claimed design.

1 Claim, 5 Drawing Sheets

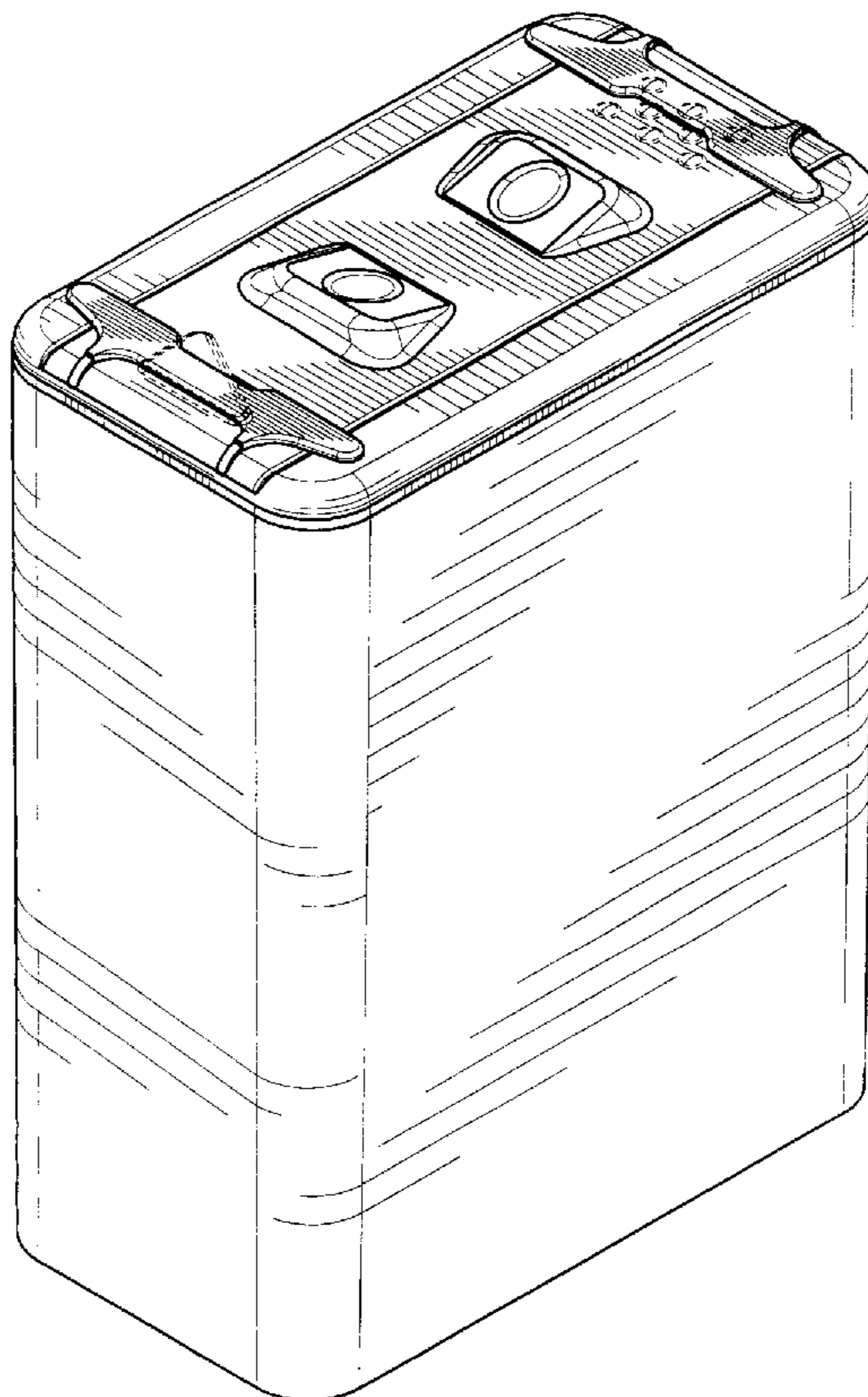


FIG. 1

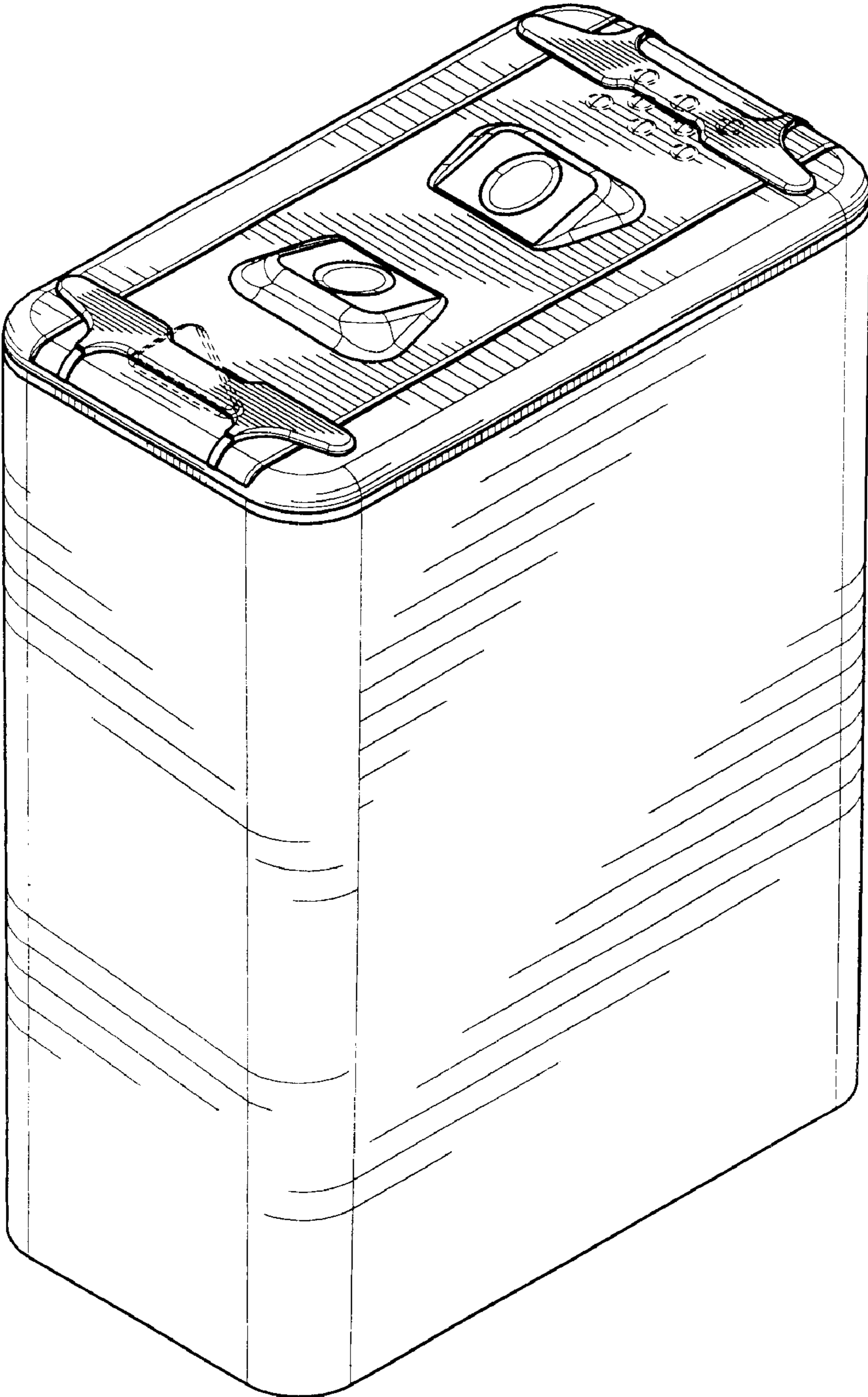


FIG. 2

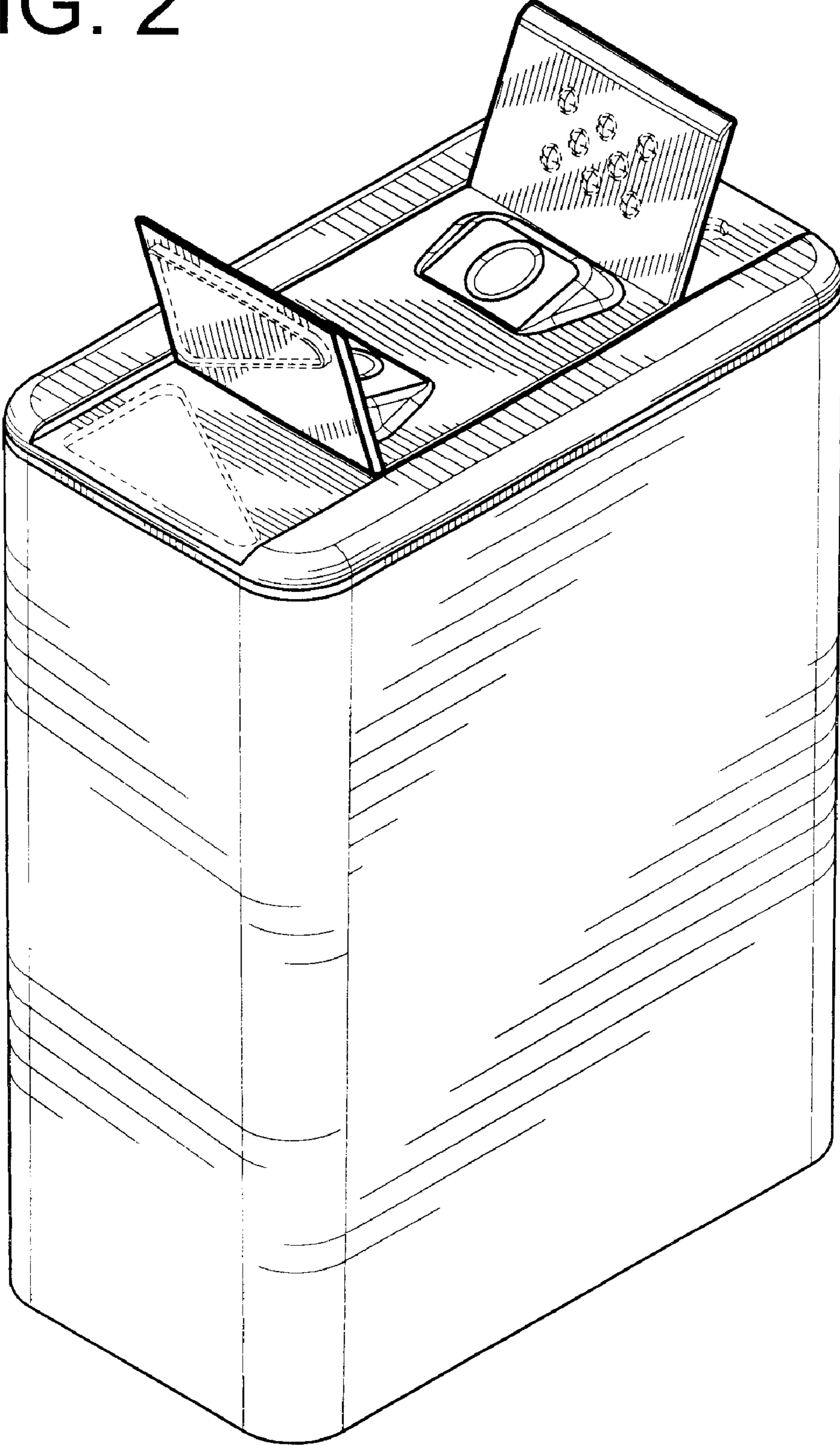


FIG. 6

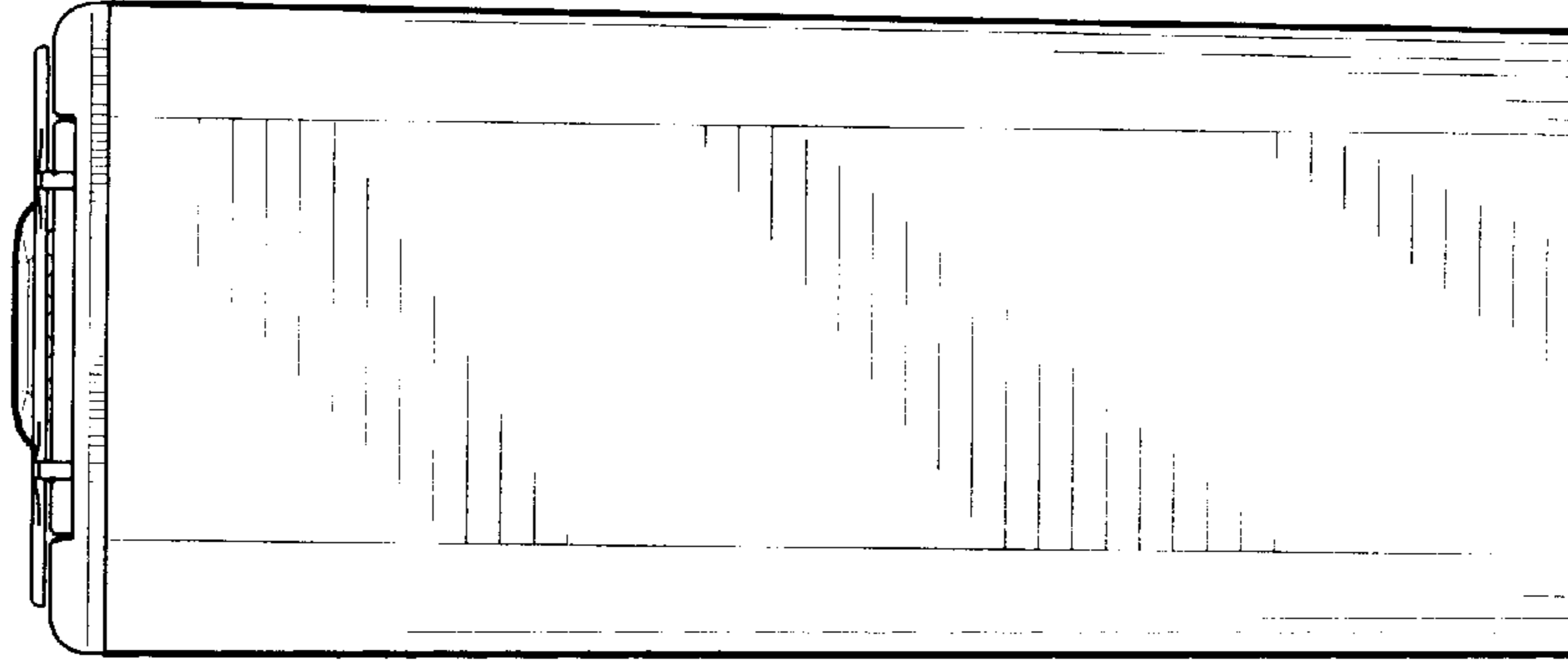


FIG. 4

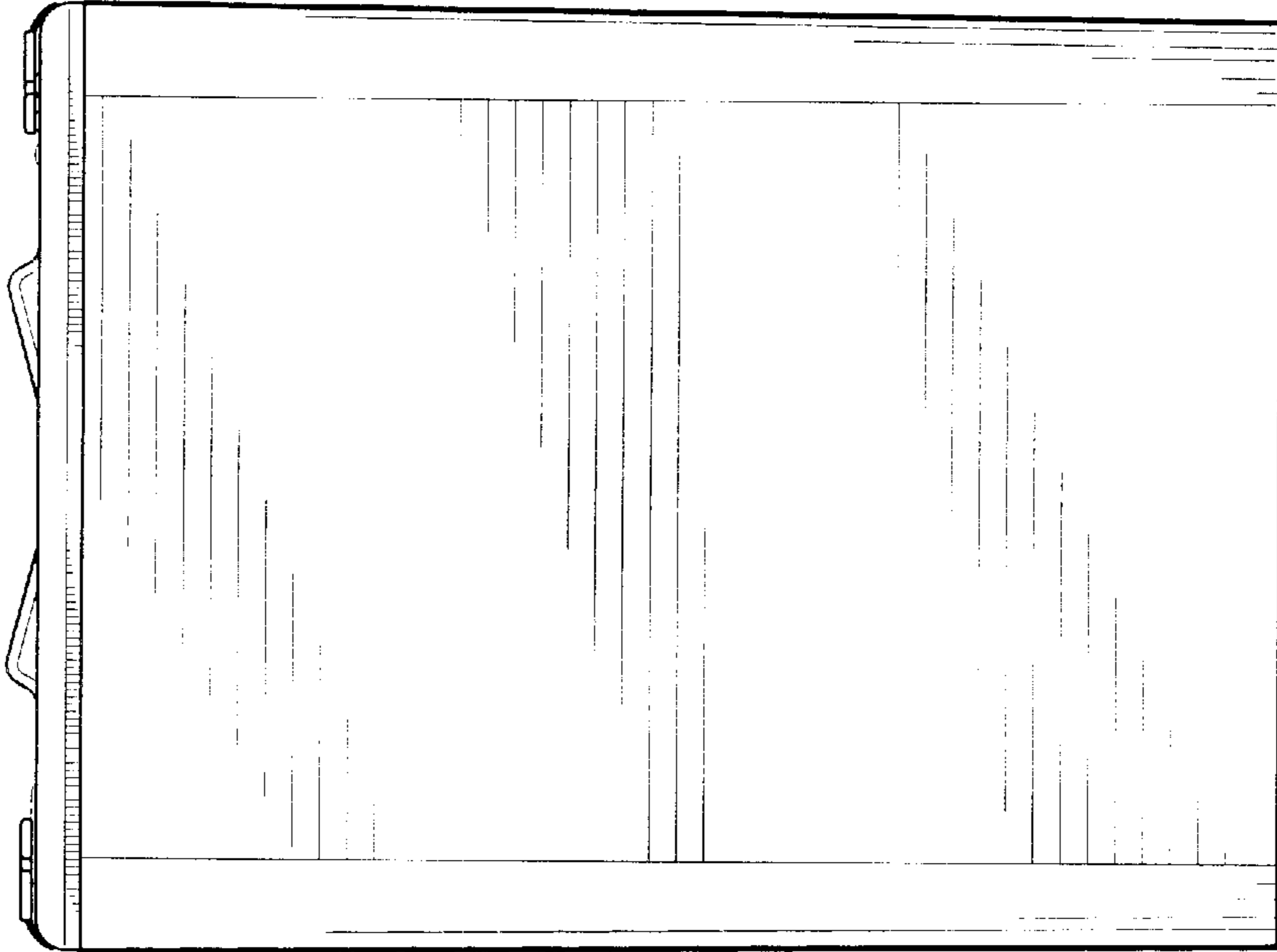
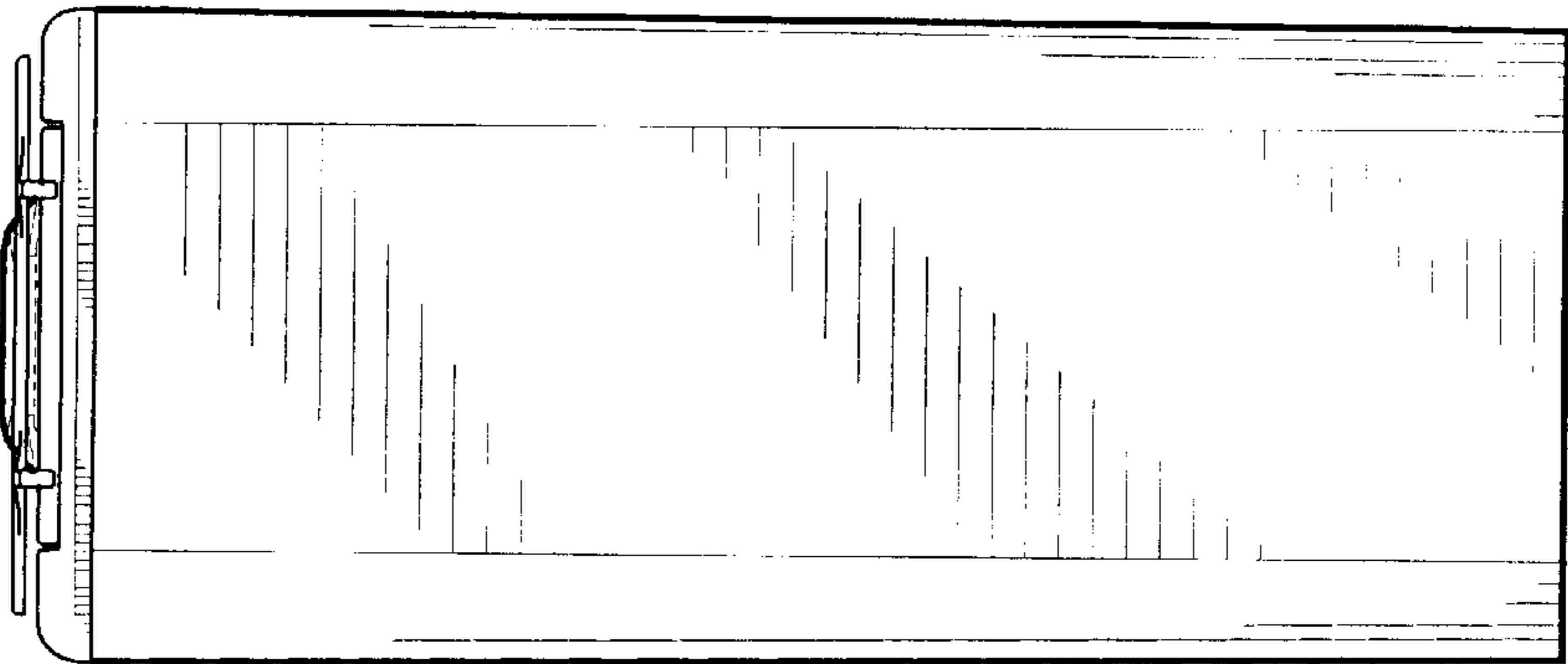


FIG. 5



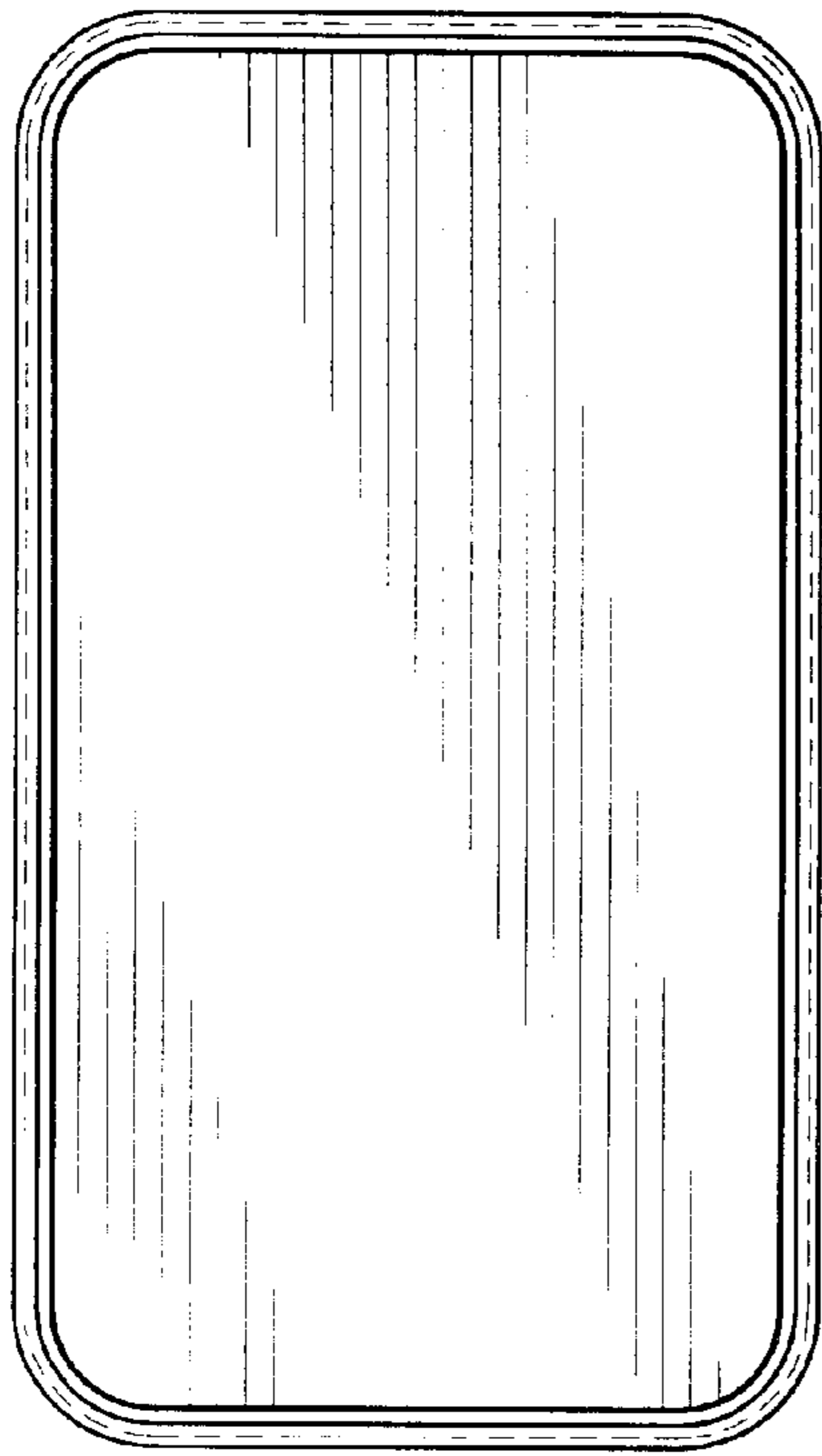


FIG. 7

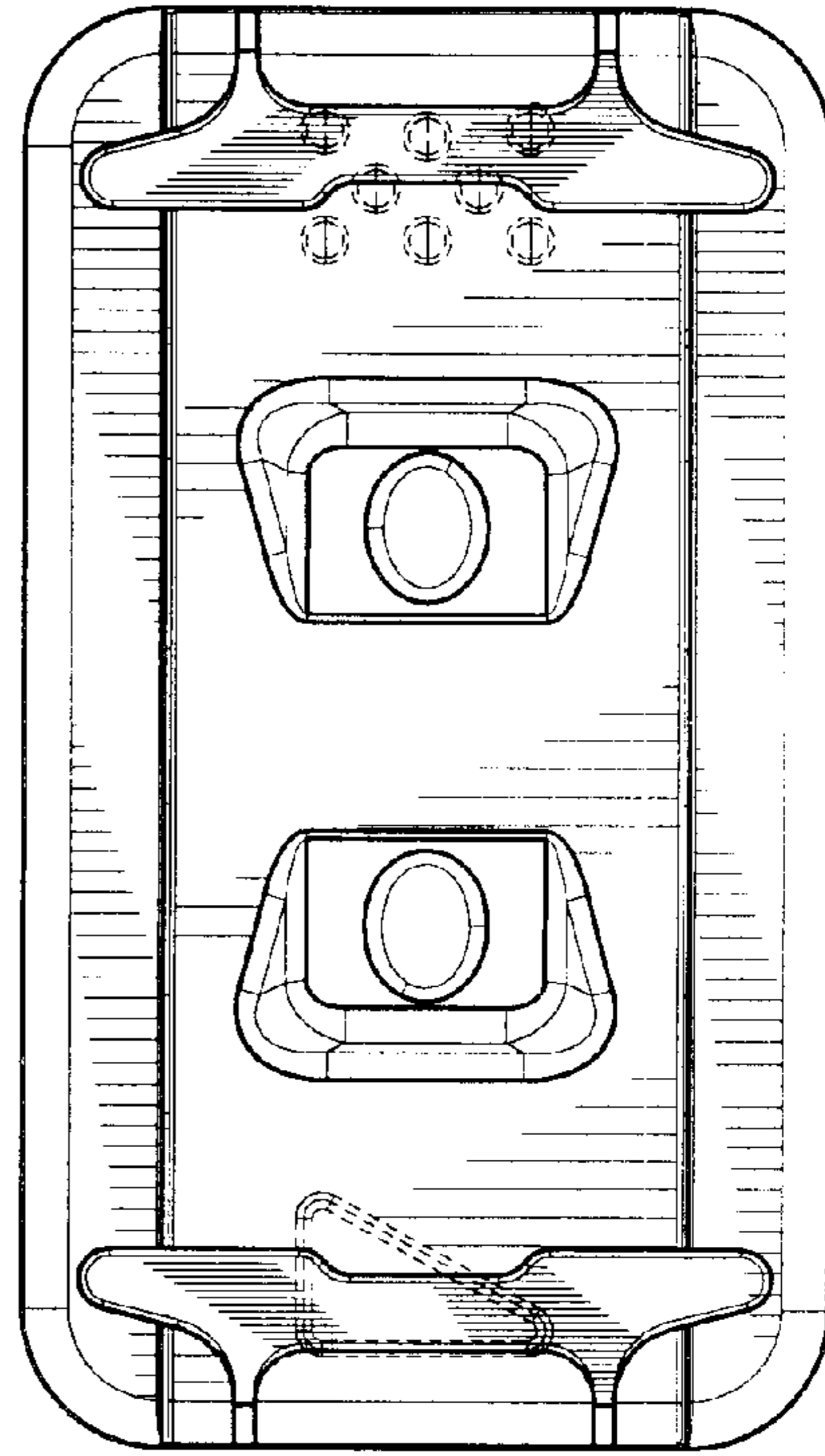


FIG. 3

FIG. 8

