

US00D492196S1

(12) **United States Design Patent**  
**Hyhlik et al.**

(10) **Patent No.:** **US D492,196 S**  
(45) **Date of Patent:** **\*\* Jun. 29, 2004**

(54) **CONTAINER**

(75) Inventors: **Petr Hyhlik**, Prague (CZ); **Jiri Prokop**, Prague (CZ)

(73) Assignee: **Unilever Bestfoods, North America, division of Conopco, Inc.**, Englewood Cliffs, NJ (US)

(\*\*) Term: **14 Years**

(21) Appl. No.: **29/186,557**

(22) Filed: **Jul. 16, 2003**

(30) **Foreign Application Priority Data**

Jan. 16, 2003 (GB) ..... 3010099

(51) **LOC (7) Cl.** ..... **09-03**

(52) **U.S. Cl.** ..... **D9/347**

(58) **Field of Search** ..... D9/347, 341, 345, D9/414, 425, 429, 430-432, 499; D7/555, 560-562; 220/553, 555-557; 229/406-407; 426/106, 521

(56) **References Cited**

**U.S. PATENT DOCUMENTS**

D265,798 S \* 8/1982 Ossola ..... D9/429

D291,659 S	*	9/1987	Powell	.....	D9/341
D297,116 S	*	8/1988	Fontana et al.	.....	D9/347
D297,117 S	*	8/1988	Fontana et al.	.....	D9/347
5,111,951 A	*	5/1992	Breen et al.	.....	220/23.4
D339,522 S	*	9/1993	Zoss	.....	D9/347
D420,855 S	*	2/2000	Hurley	.....	D7/549
D435,443 S	*	12/2000	Maeda et al.	.....	D9/425
D466,407 S	*	12/2002	Nance	.....	D9/424
D472,465 S	*	4/2003	Nance	.....	D9/424

\* cited by examiner

*Primary Examiner*—Philip S. Hyder  
*Assistant Examiner*—Daniel Bui

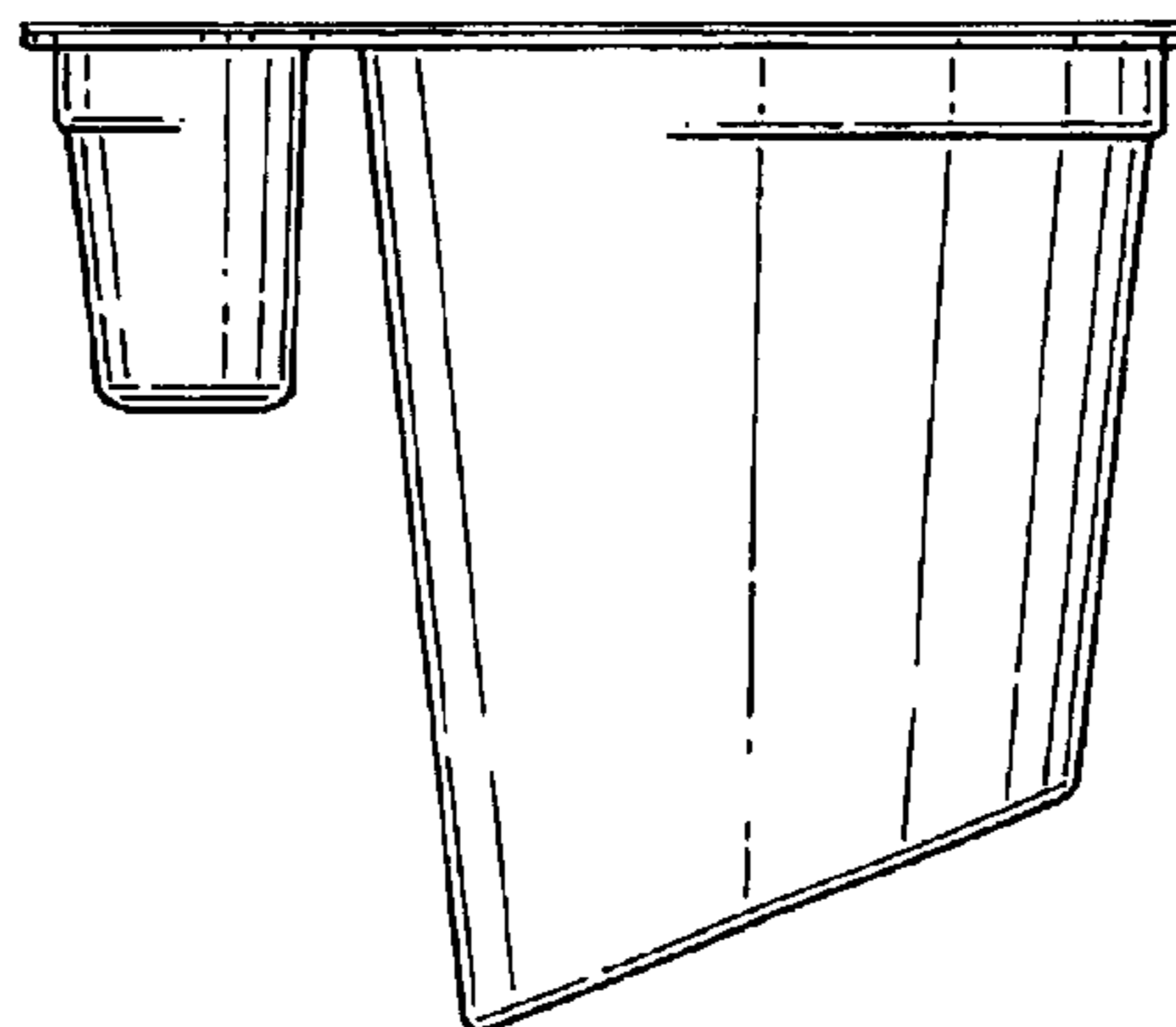
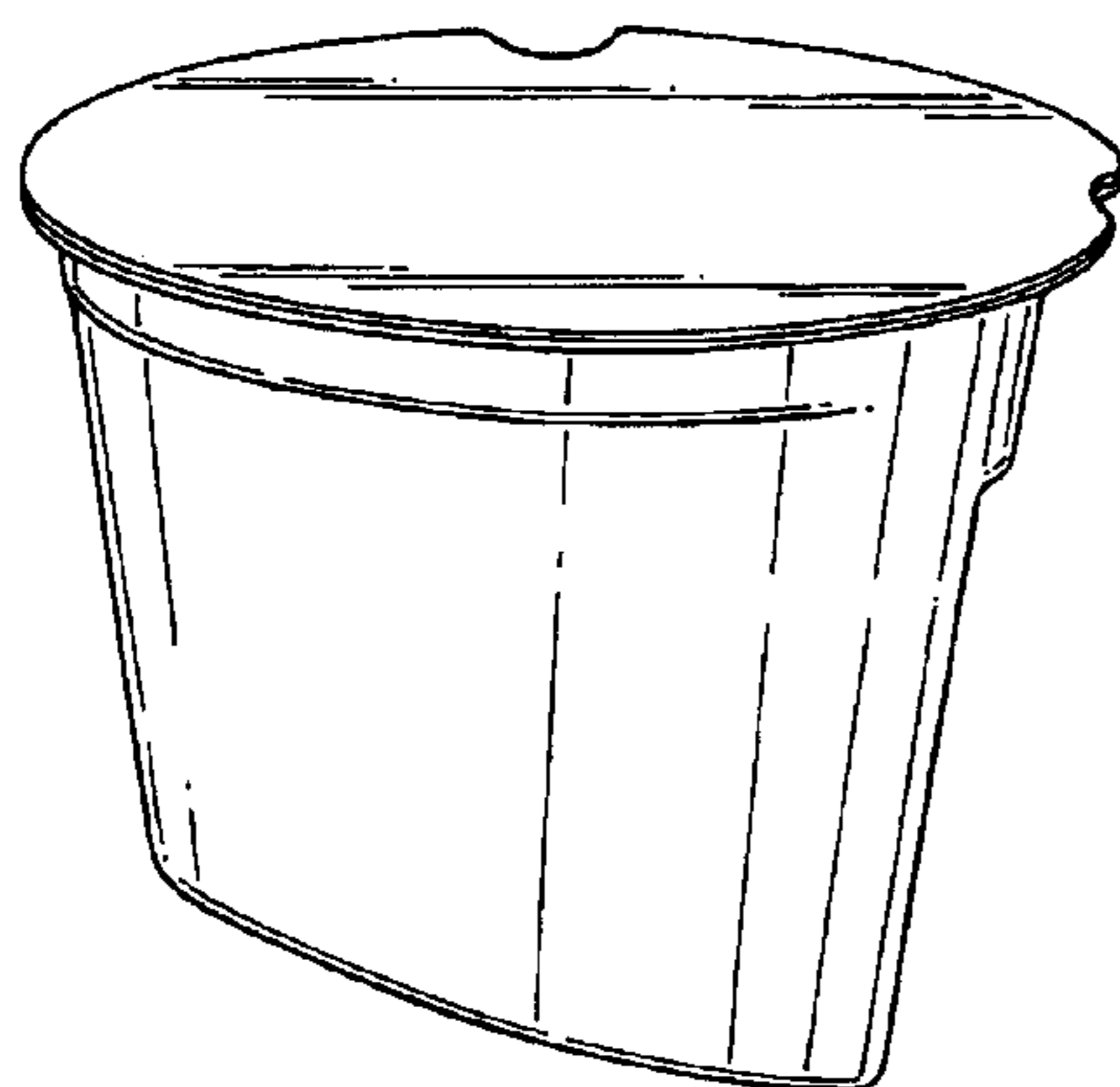
(57) **CLAIM**

The ornamental design for a container, substantially as shown and described.

**DESCRIPTION**

FIG. 1 is a front perspective view from the above and one side of the container showing our new design; FIG. 2 is an elevation view from the other side thereof; FIG. 3 is a plan view thereof; FIG. 4 is a front view thereof; FIG. 5 is a rear view thereof; and, FIG. 6 is an underneath plan view thereof.

**1 Claim, 2 Drawing Sheets**



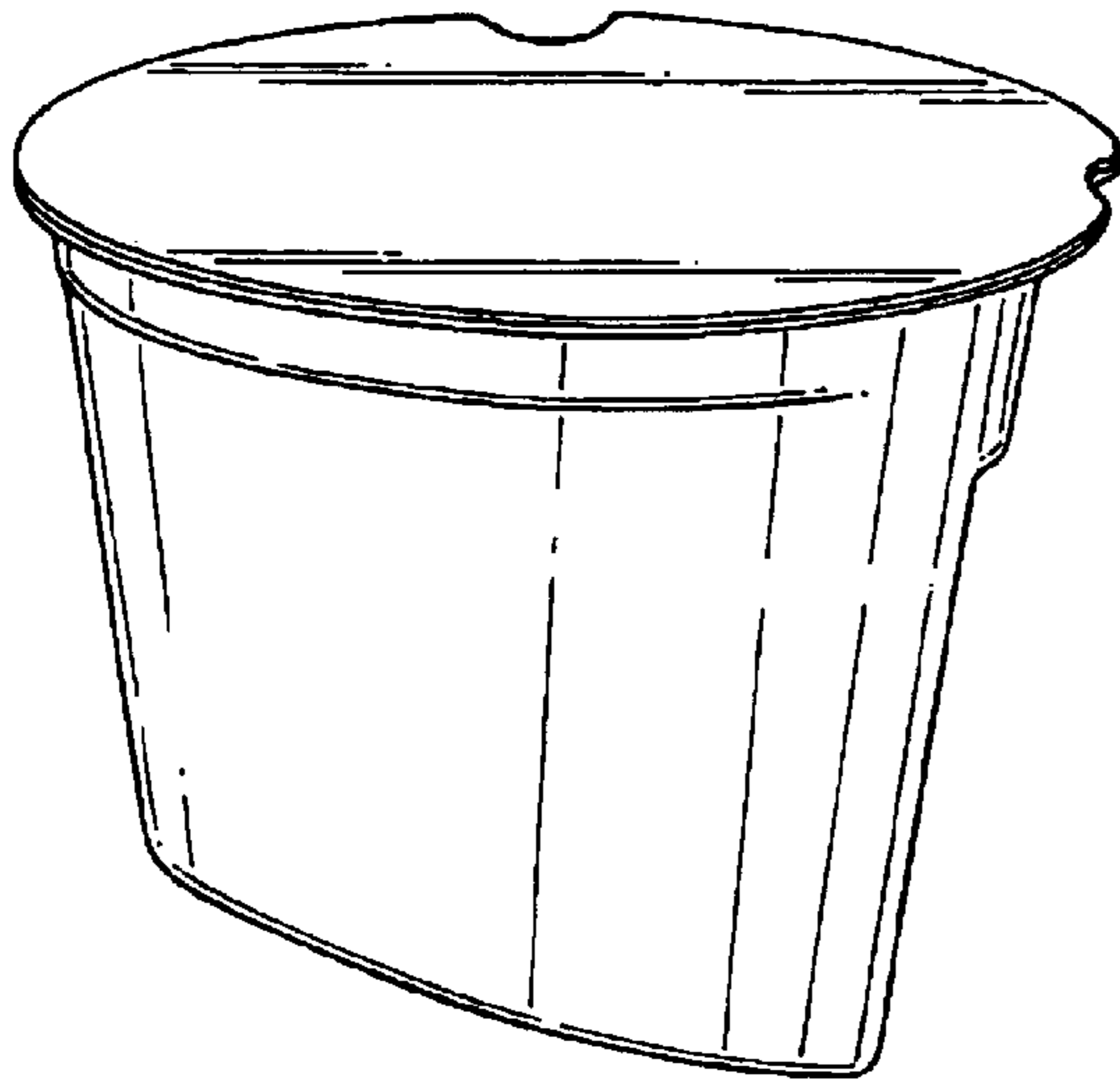


Fig. 1.

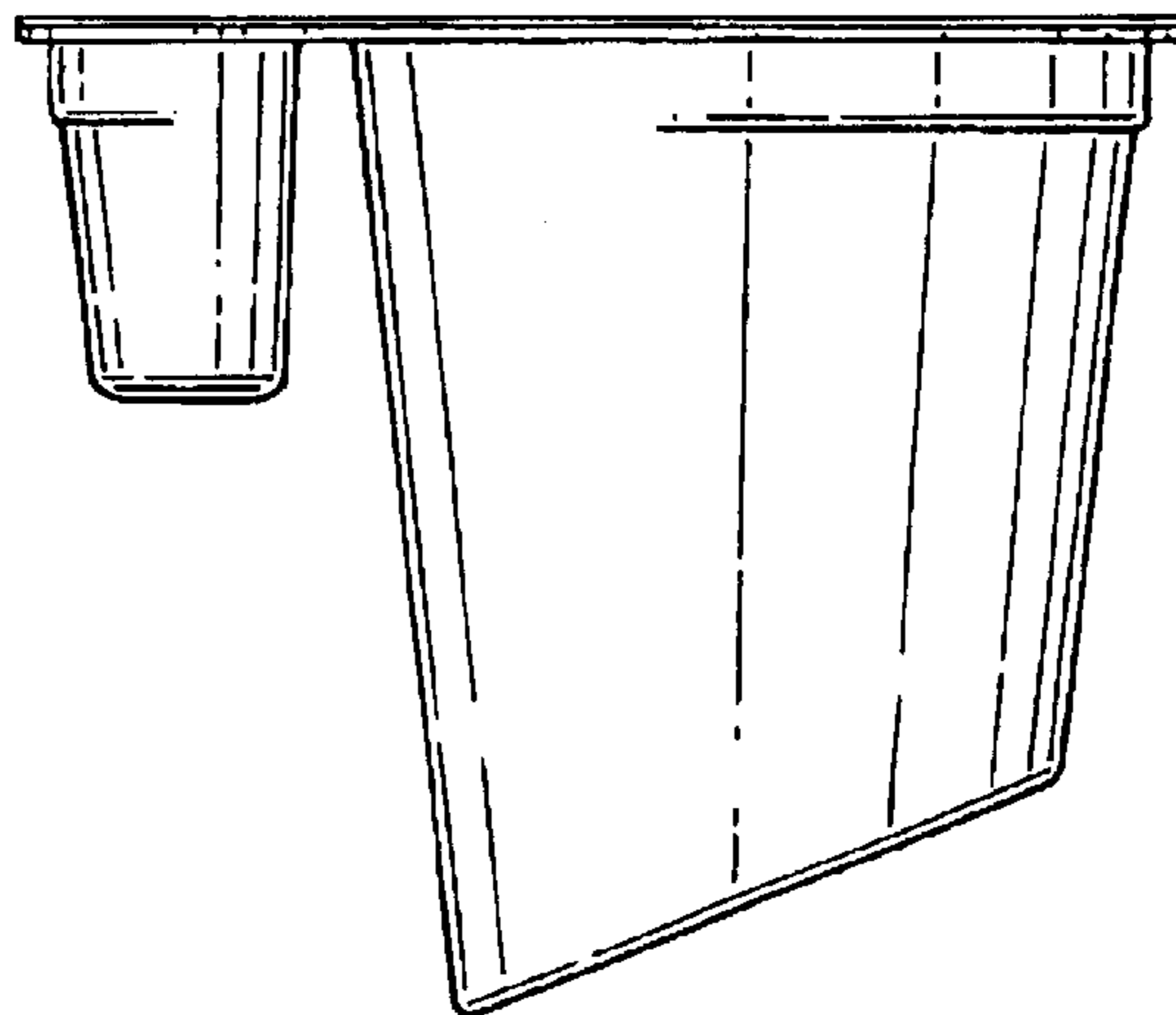


Fig. 2.

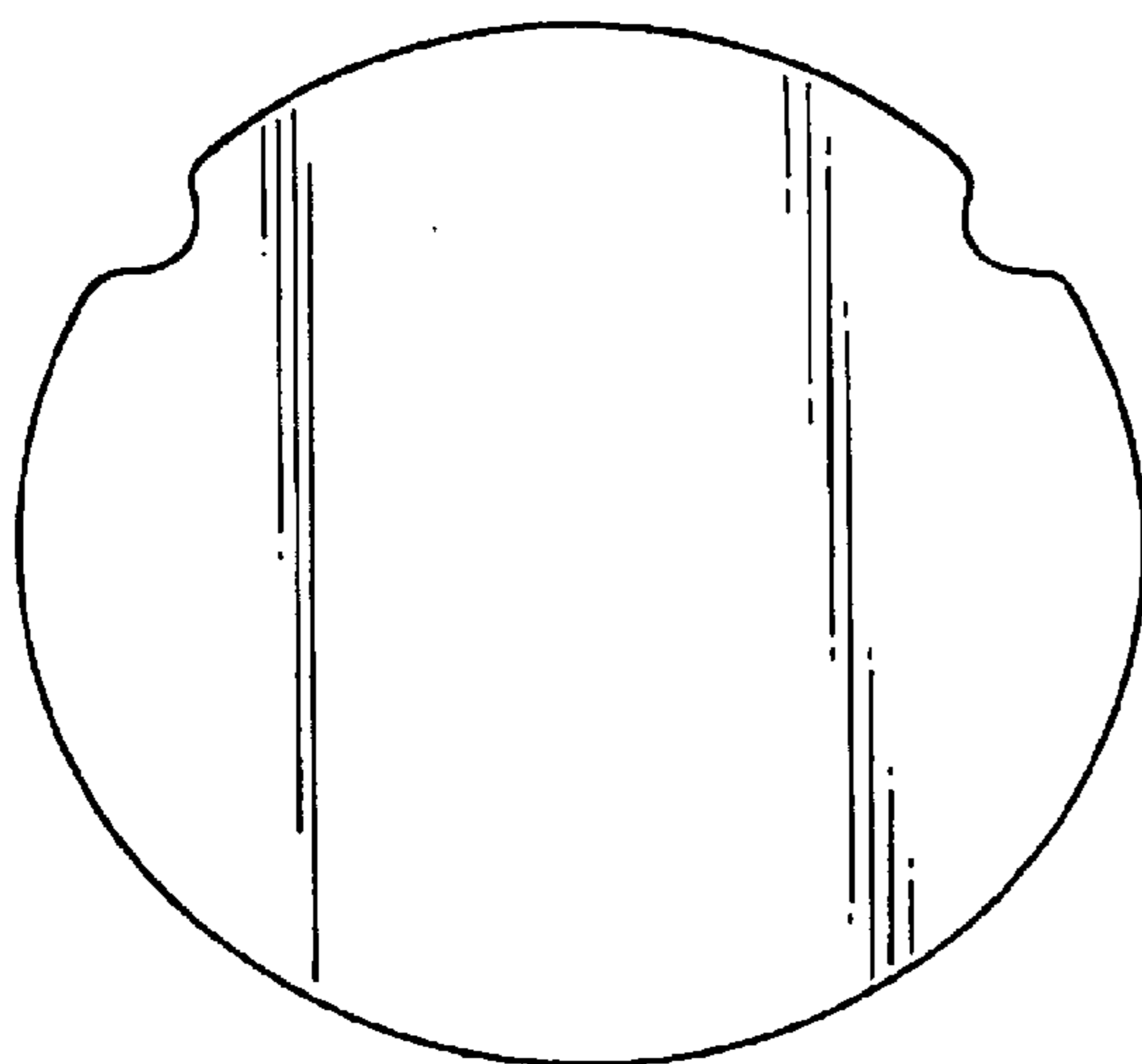


Fig. 3.

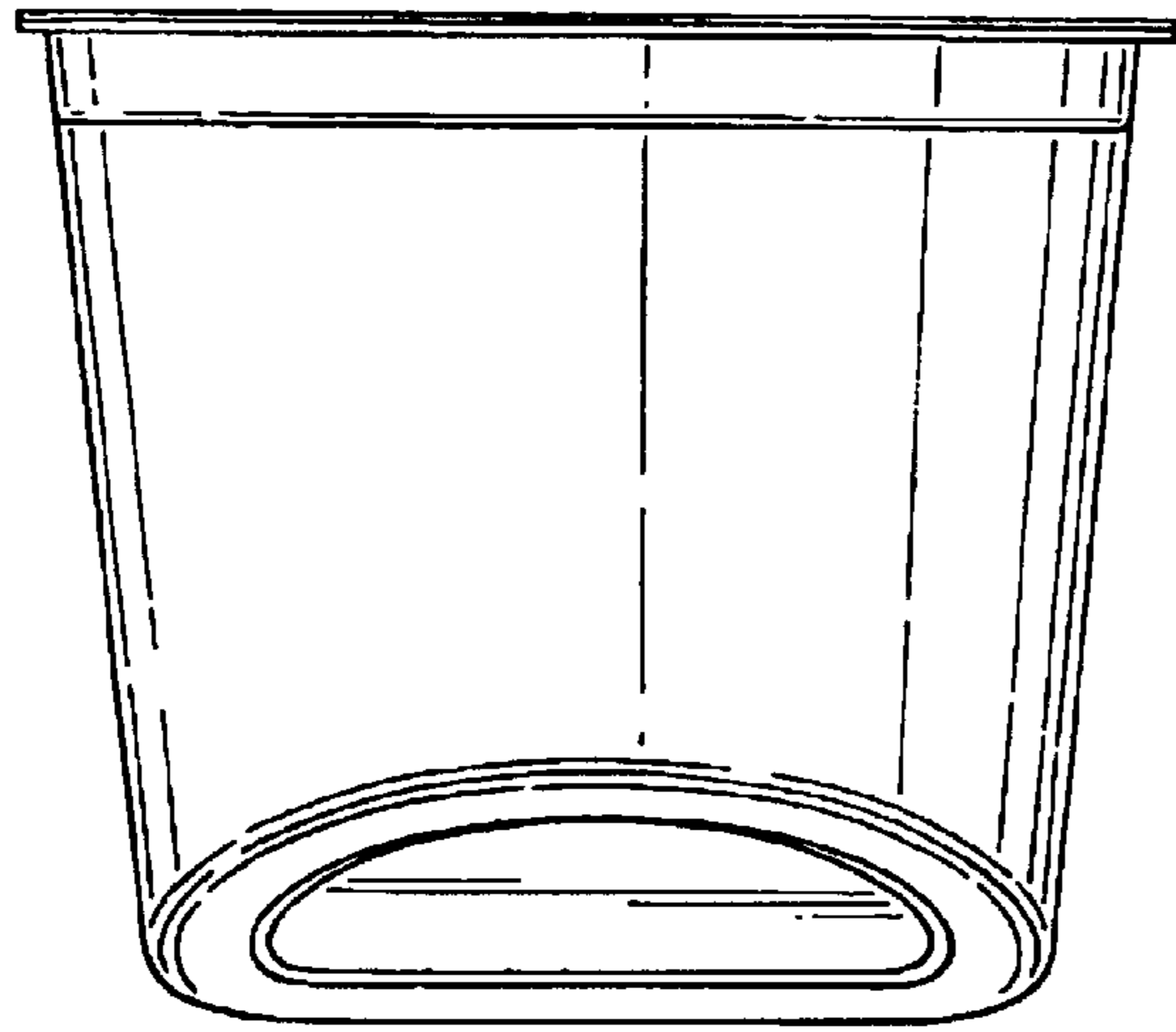


Fig.4.

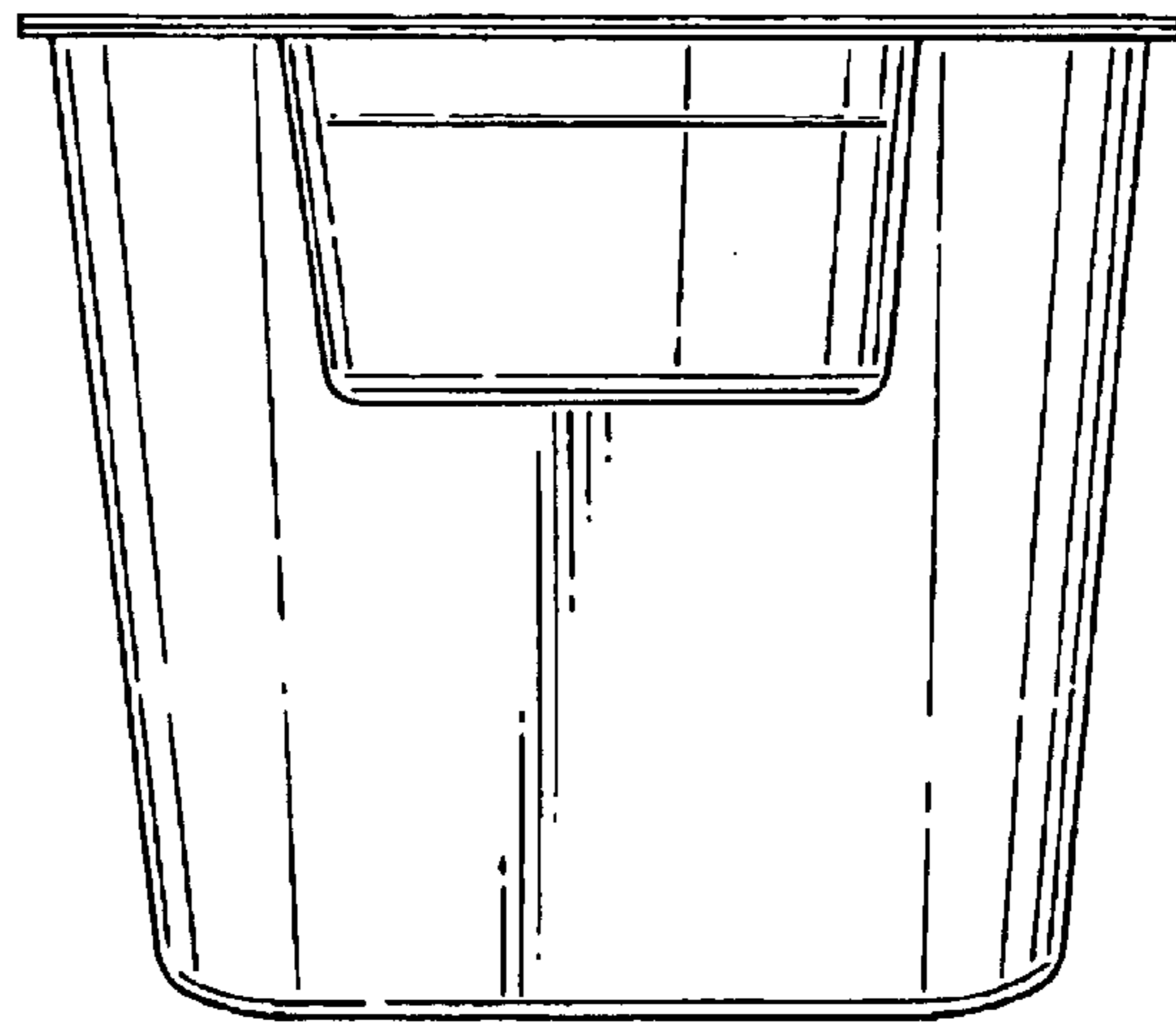


Fig.5.

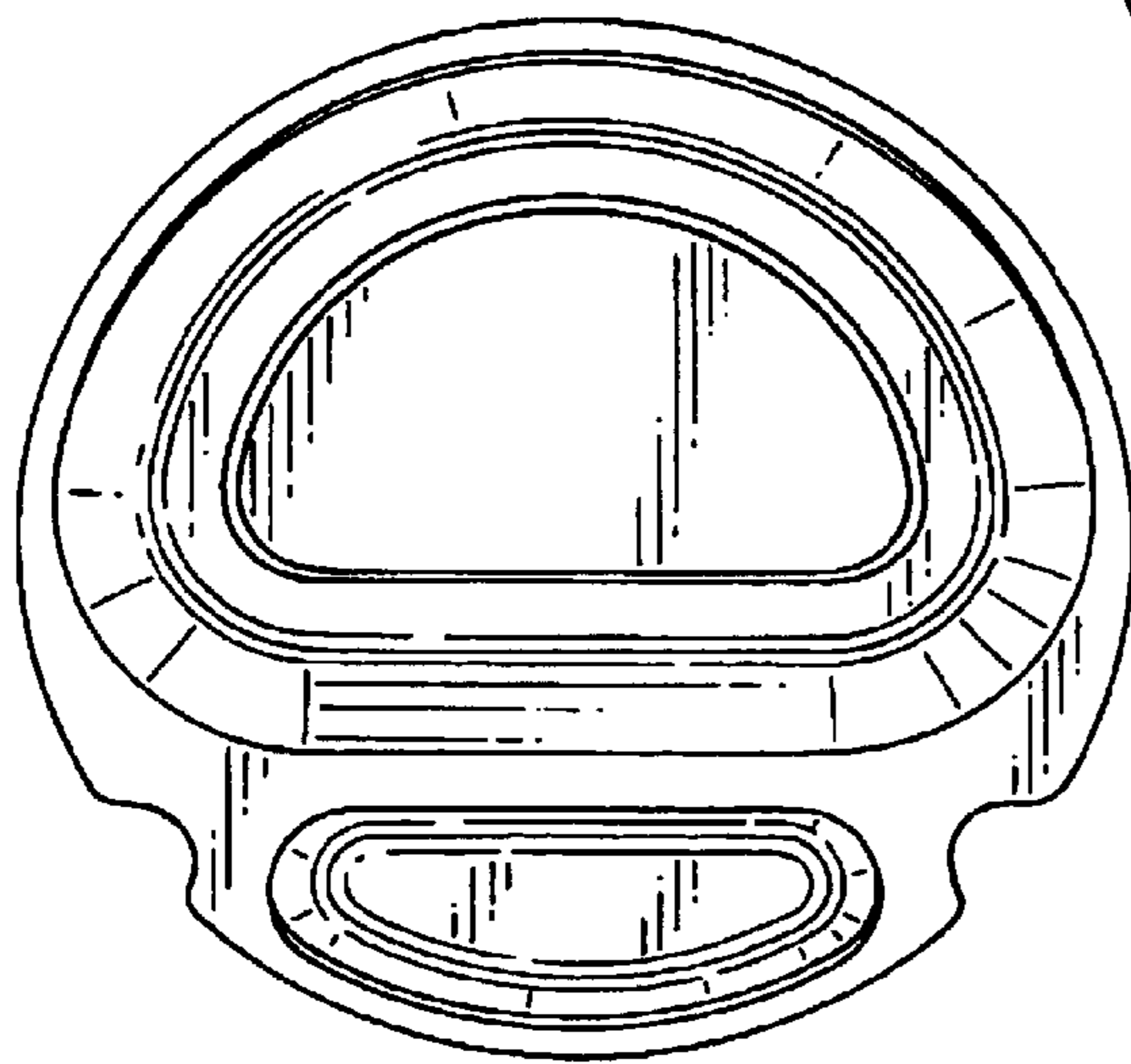


Fig.6.