

US00D492194S1

(12) **United States Design Patent** (10) **Patent No.:** **US D492,194 S**
Kim (45) **Date of Patent:** **** Jun. 29, 2004**

(54) **SCIENTIFIC VIAL STORAGE BOX**

(76) Inventor: **Hyesook Kim**, 2727 Second Ave., Suite 4113, Detroit, MI (US) 48201

(**) Term: **14 Years**

(21) Appl. No.: **29/163,158**

(22) Filed: **Jun. 28, 2002**

(51) **LOC (7) Cl.** **09-03**

(52) **U.S. Cl.** **D9/341**

(58) **Field of Search** D9/341, 346, 424, D9/430-433, 499; 206/527; 220/500, 507, 510, 890; 229/100, 120.02, 120.06, 800

(56) **References Cited**

U.S. PATENT DOCUMENTS

| | | | | | |
|-------------|---|---------|--------------|-------|------------|
| D35,750 S | * | 2/1902 | Altman | | D9/432 |
| 909,664 A | * | 1/1909 | Porter | | 229/192 |
| 3,038,625 A | * | 6/1962 | Sinner | | 217/33 |
| 3,820,679 A | * | 6/1974 | Schweitzer | | 220/507 |
| 4,094,454 A | * | 6/1978 | Snyder | | 229/120.02 |
| 4,703,855 A | * | 11/1987 | Moe et al. | | 206/427 |
| D333,931 S | * | 3/1993 | Wein | | D6/478 |
| 5,230,426 A | * | 7/1993 | Keefe et al. | | 206/205 |
| D342,783 S | * | 12/1993 | Lesquir | | D3/302 |
| D407,013 S | * | 3/1999 | Armondo | | D9/341 |
| D424,435 S | * | 5/2000 | Koehn | | D9/432 |
| D461,120 S | * | 8/2002 | Ostro | | D9/341 |

* cited by examiner

Primary Examiner—Philip S. Hyder

Assistant Examiner—Daniel Bui

(74) *Attorney, Agent, or Firm*—Kohn & Associates, PLLC; Kenneth I. Kohn

(57) **CLAIM**

The ornamental design for a scientific vial storage box, as shown and described.

DESCRIPTION

FIG. 1 is a perspective view of a scientific vial storage box showing my new design;

FIG. 2 is a front elevation view of the scientific vial storage box showing the rectangular portions on which a description of the contents of the box can be placed;

FIG. 3 is a side elevation view of the scientific vial storage box;

FIG. 4 is another side elevation view of the scientific vial storage box;

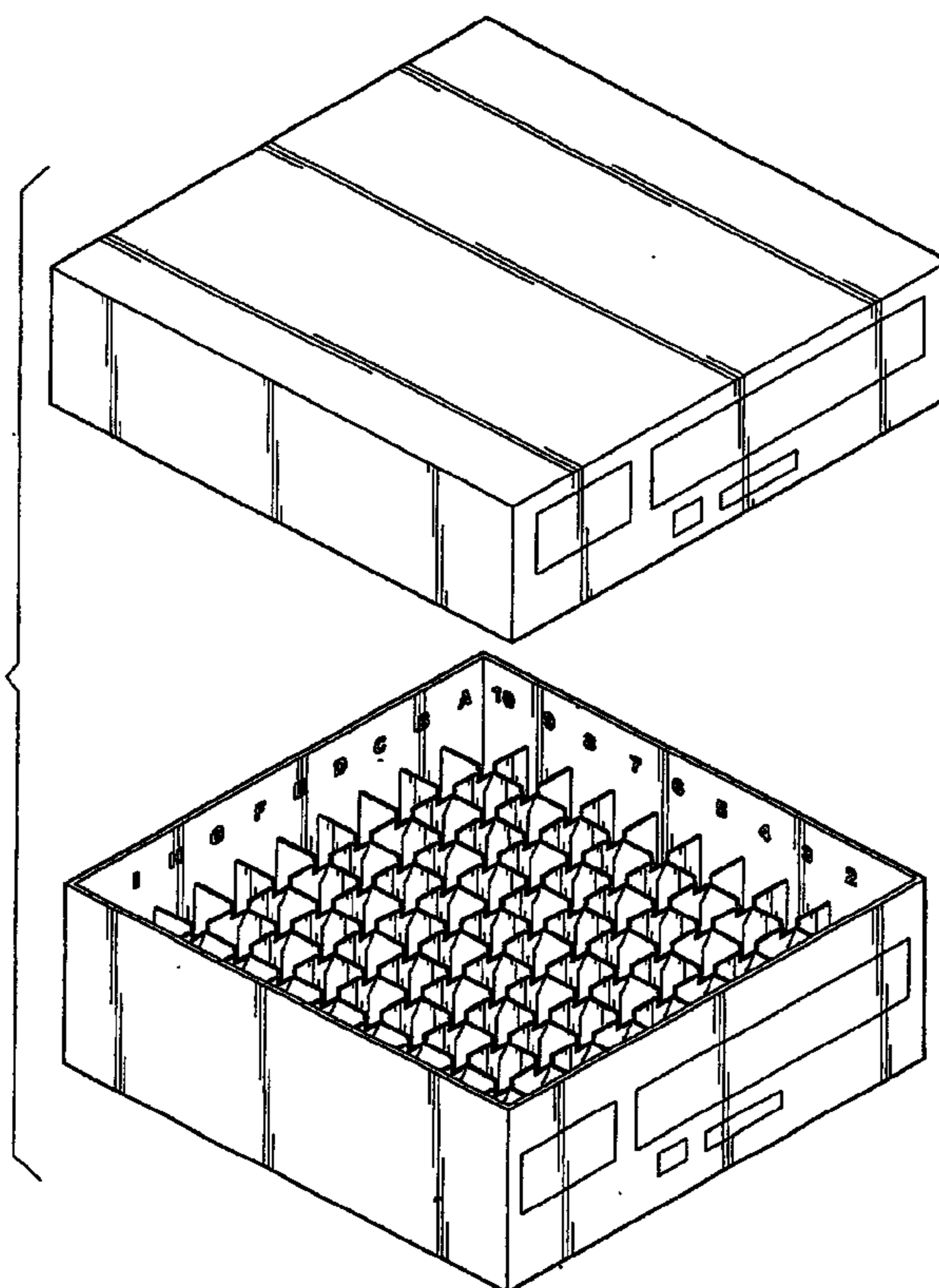
FIG. 5 is a top plan view of the scientific vial storage box;

FIG. 6 is a bottom plan view of the scientific vial storage box, wherein one can see the edge of the top portion of the scientific vial storage box;

FIG. 7 is an exploded perspective view of the scientific vial storage box, wherein indicia are located on the interior sides of the bottom portion of the scientific vial storage box and rectangular portions on both the top and/or bottom portions on which a description of the box can be placed; and,

FIG. 8 is a top plan view of the bottom portion of the scientific vial storage box.

1 Claim, 5 Drawing Sheets



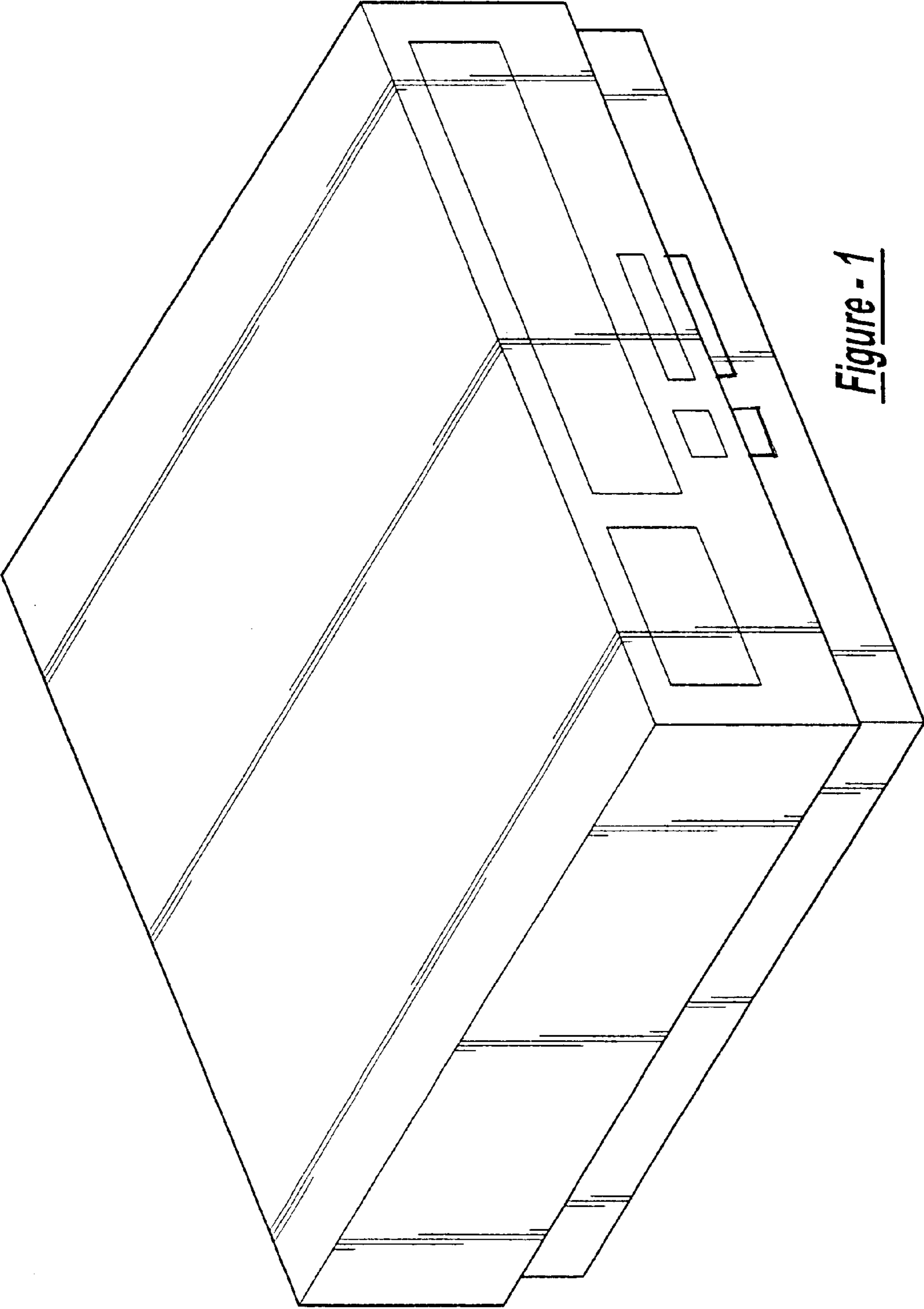


Figure - 1

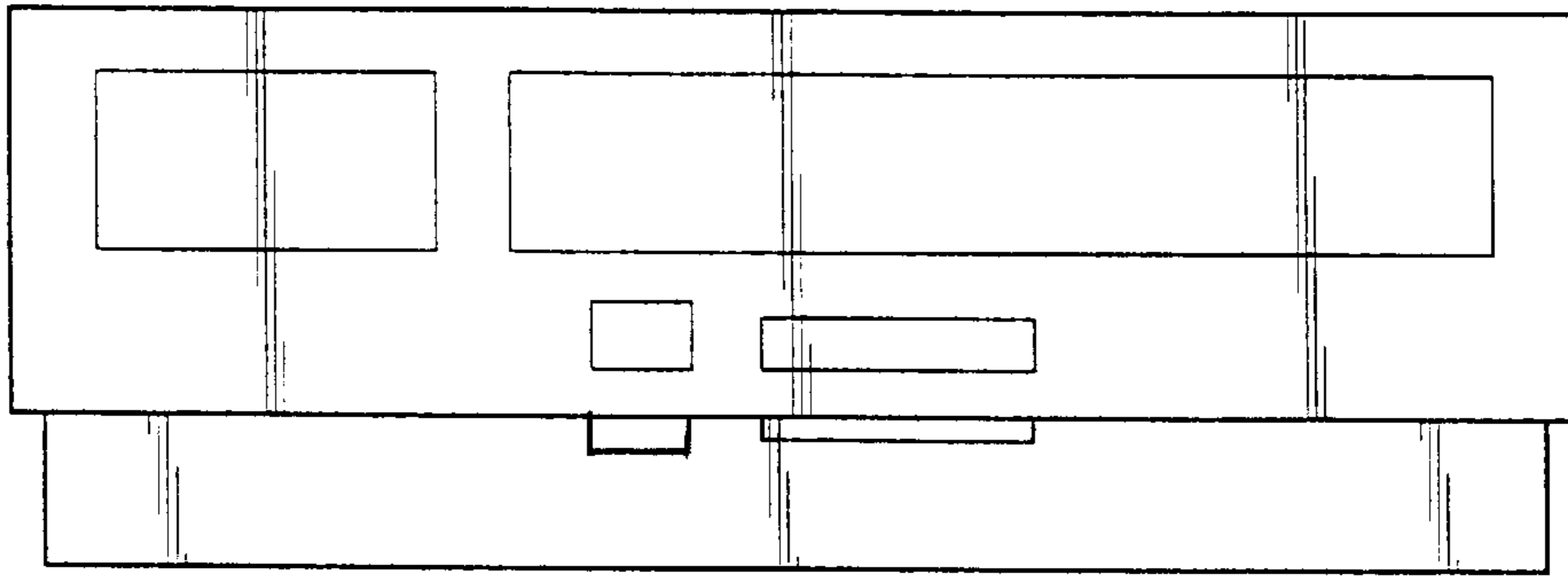


Figure - 2

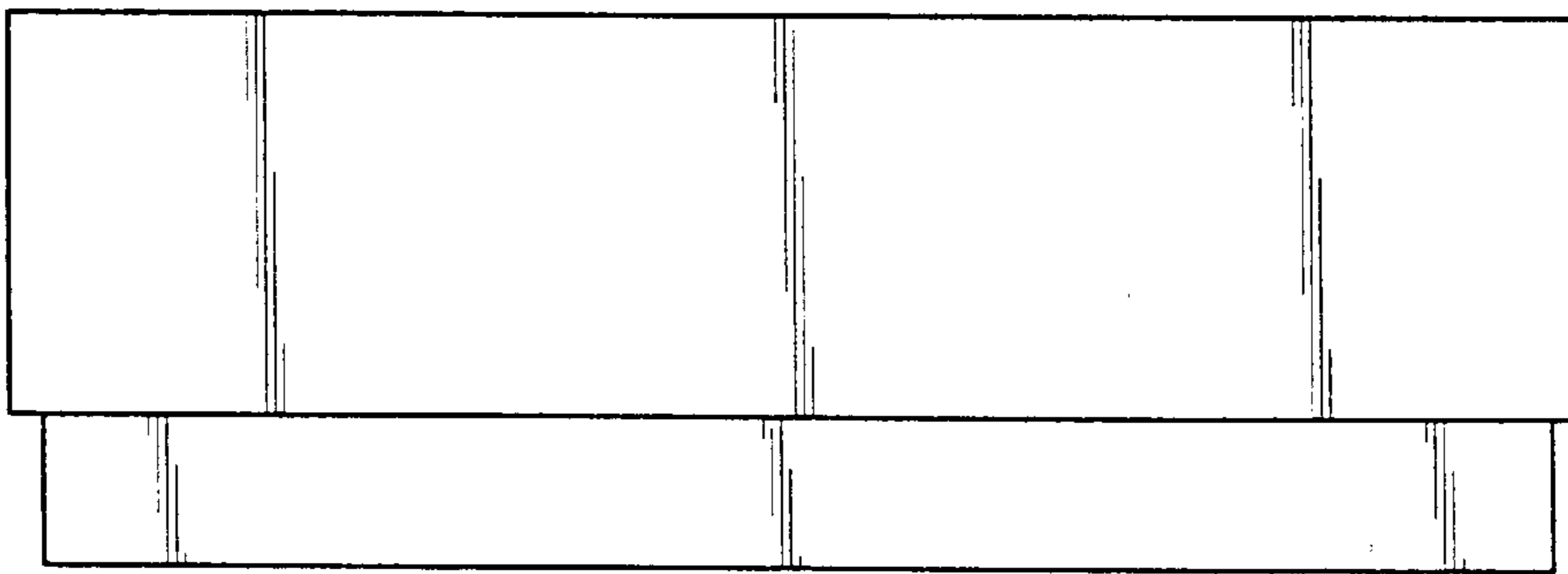


Figure - 3

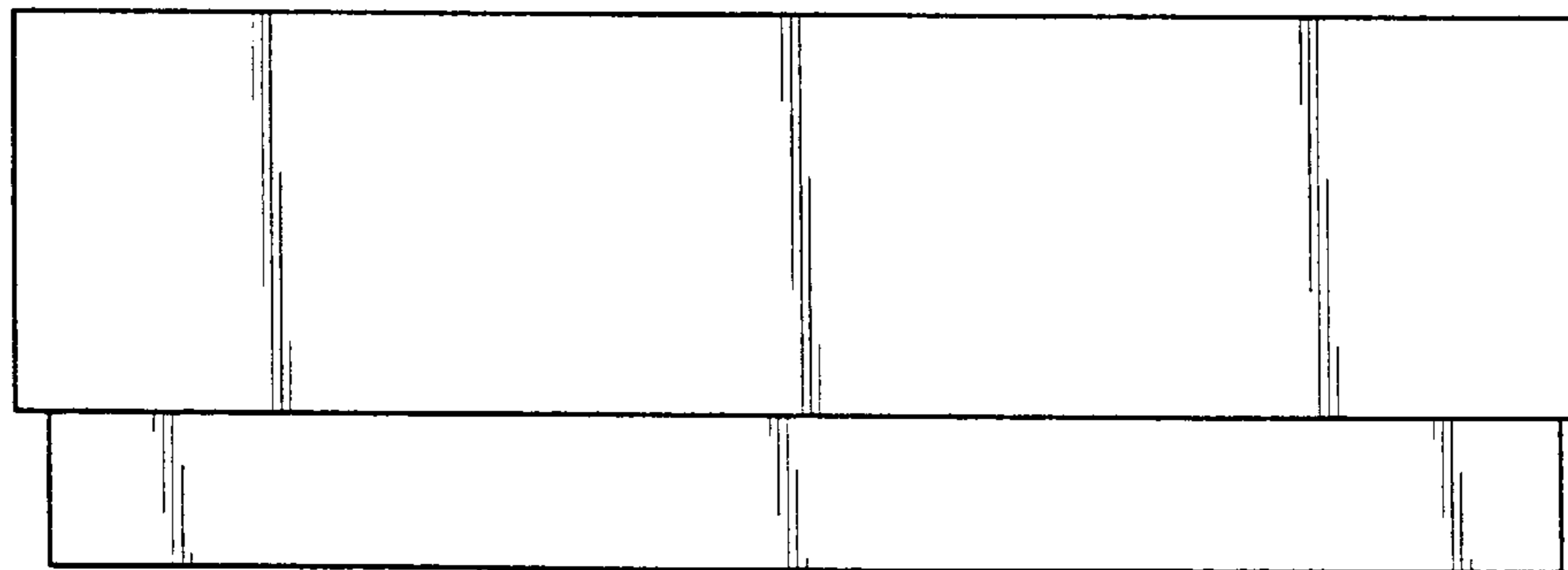


Figure - 4

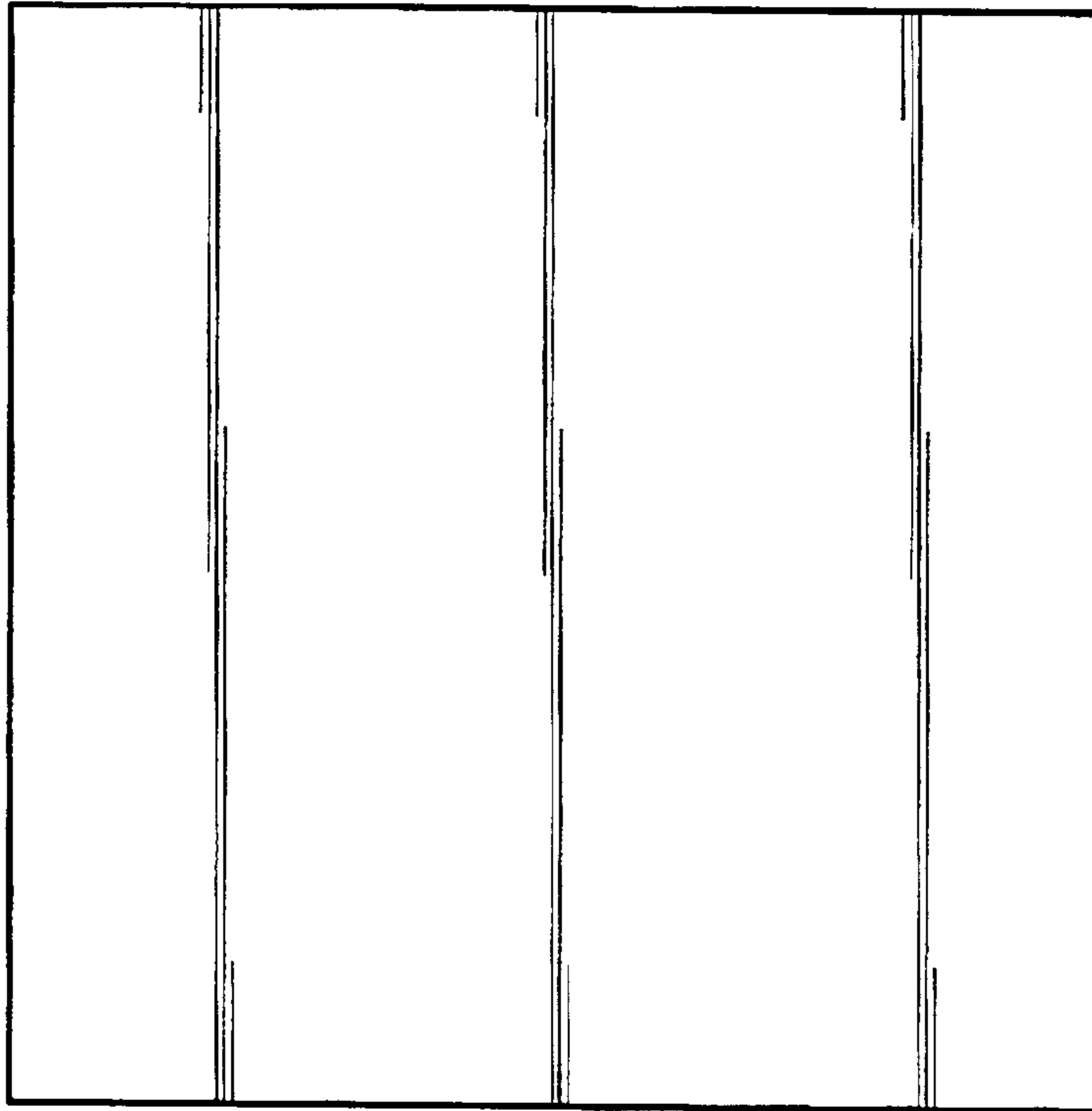


Figure - 5

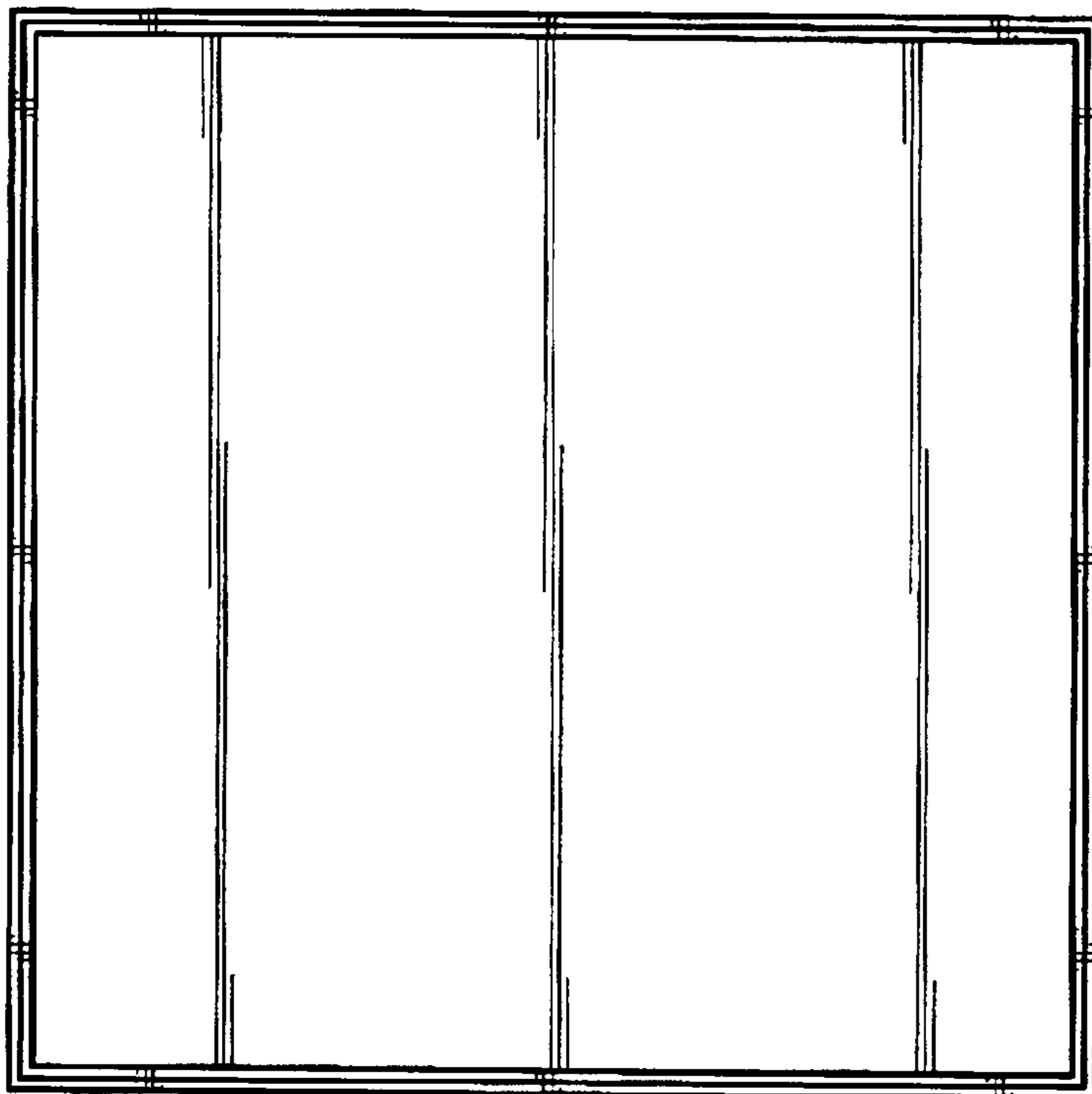


Figure - 6

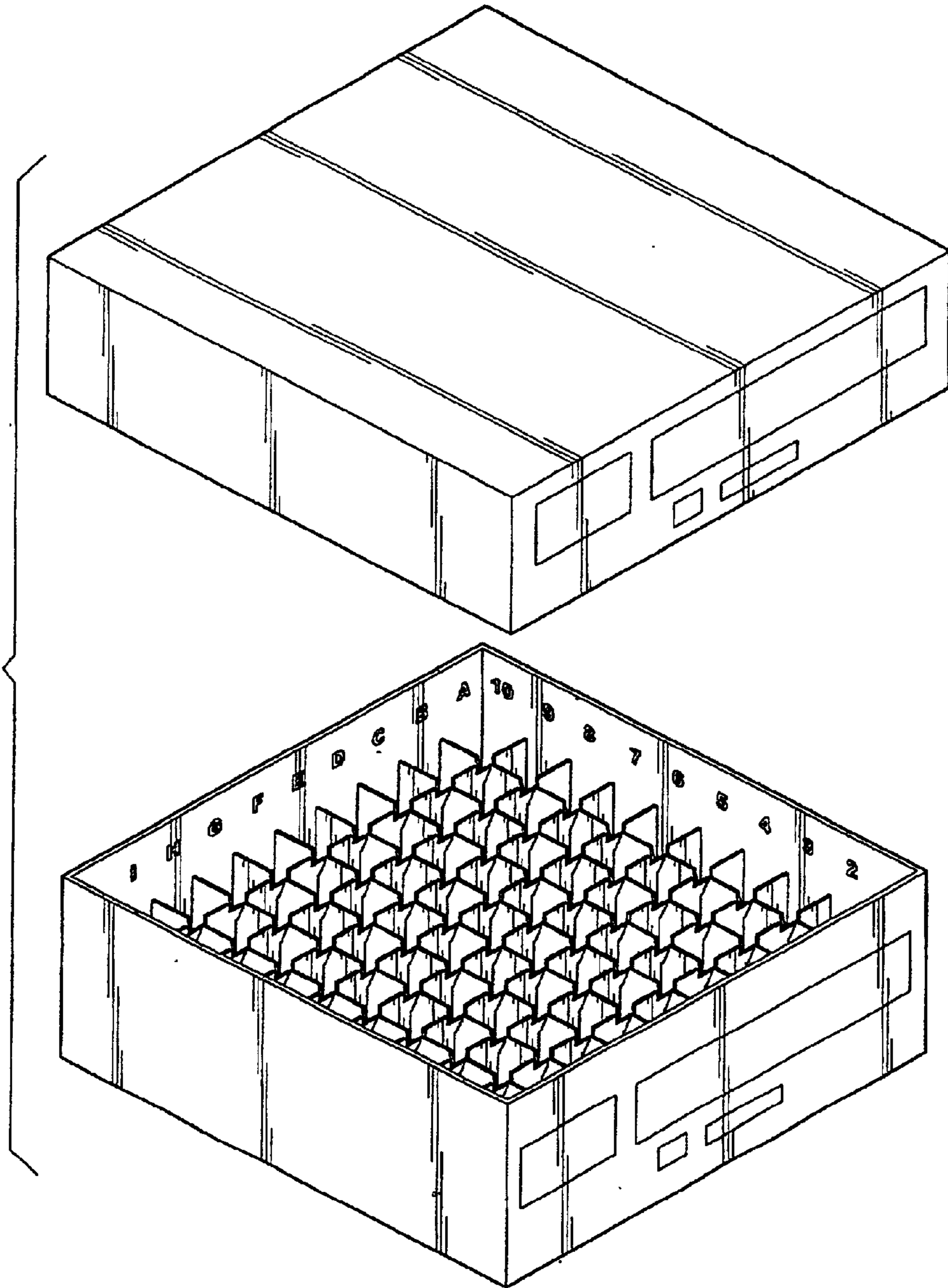


Figure - 7

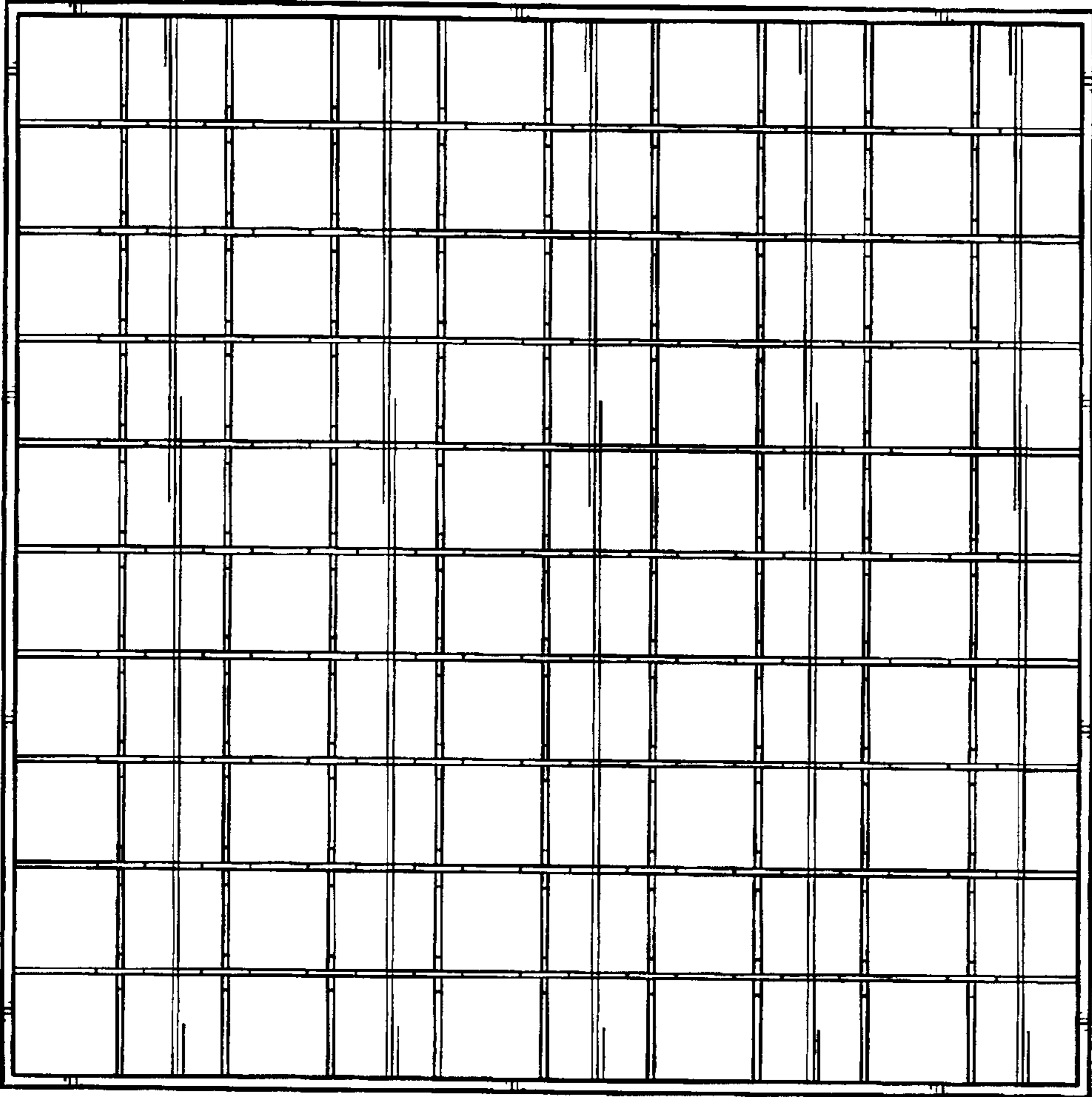


Figure - 8