

US00D492192S1

(12) **United States Design Patent** (10) **Patent No.:** **US D492,192 S**  
**Py et al.** (45) **Date of Patent:** **\*\* Jun. 29, 2004**

(54) **DISPENSER** 4,854,481 A 8/1989 Bohl et al.  
 4,859,513 A 8/1989 Gibbons et al.  
 4,880,675 A 11/1989 Mehta  
 4,910,147 A 3/1990 Bacehowski et al.  
 4,921,733 A 5/1990 Gibbons et al.  
 4,981,479 A 1/1991 Py  
 5,102,705 A 4/1992 Yamamoto et al.  
 5,201,726 A \* 4/1993 Kirkham ..... 604/294  
 5,238,153 A 8/1993 Castillo et al.  
 5,263,946 A 11/1993 Klug  
 5,267,986 A 12/1993 Py  
 5,320,845 A 6/1994 Py  
 5,366,108 A 11/1994 Darling  
 5,401,259 A 3/1995 Py  
 5,419,465 A 5/1995 Schroeder  
 5,429,254 A 7/1995 Christine  
 RE35,187 E 3/1996 Gortz

(75) Inventors: **Daniel Py**, Stamford, CT (US); **Julian V. Chan**, Spring Valley, NY (US); **Catalina M. Aranyi**, Easton, CT (US)

(73) Assignee: **Medical Instill Technologies, Inc.**, Stamford, CT (US)

(\*\*) Term: **14 Years**

(21) Appl. No.: **29/169,537**

(22) Filed: **Oct. 21, 2002**

**Related U.S. Application Data**

(63) Continuation-in-part of application No. 10/001,745, filed on Oct. 23, 2001.

(51) **LOC (7) Cl.** ..... **09-01**

(52) **U.S. Cl.** ..... **D9/300**

(58) **Field of Search** ..... D9/300; D24/108, D24/110, 113, 115, 120; 604/294, 295, 297, 298, 299, 301, 302; 222/95, 386.5, 387, 389, 420; 424/427

(56) **References Cited**

**U.S. PATENT DOCUMENTS**

1,471,091 A 10/1923 Bessesen  
 3,921,333 A 11/1975 Clendinning et al.  
 3,993,069 A 11/1976 Buckles et al.  
 4,023,607 A 5/1977 Jensen et al.  
 4,233,262 A 11/1980 Curto  
 4,240,465 A 12/1980 Rader  
 4,264,018 A 4/1981 Warren  
 4,479,989 A 10/1984 Mahal  
 4,482,585 A 11/1984 Ohodaira et al.  
 4,501,781 A 2/1985 Kushida et al.  
 4,578,295 A 3/1986 Jabarin  
 4,579,757 A 4/1986 Su et al.  
 4,603,066 A 7/1986 Jabarin  
 4,636,412 A 1/1987 Field  
 4,700,838 A 10/1987 Falciani et al.  
 4,704,510 A 11/1987 Matsui  
 4,784,652 A 11/1988 Wikström

(List continued on next page.)

**FOREIGN PATENT DOCUMENTS**

EP 0802827 B1 8/1998

*Primary Examiner*—Paula A. Greene

(74) *Attorney, Agent, or Firm*—McCarter & English, LLP

(57) **CLAIM**

The ornamental design for a dispenser, as shown and described.

**DESCRIPTION**

FIG. 1 is a front perspective view of a dispenser showing our new design;

FIG. 2 is a front elevational view of the dispenser of FIG. 1;

FIG. 3 is a side elevational view of the dispenser of FIG. 1;

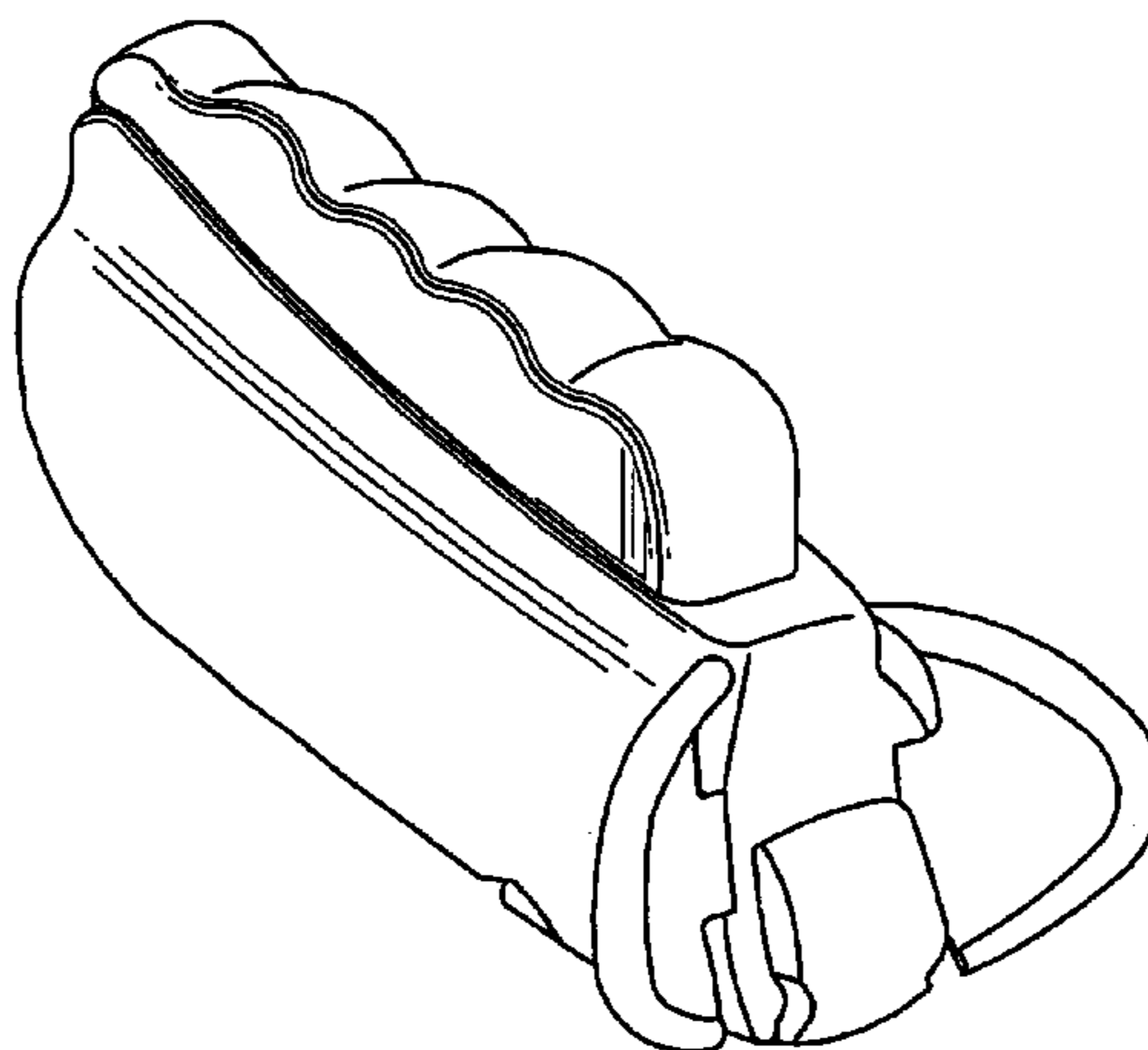
FIG. 4 is a second side elevational view of the dispenser of FIG. 1;

FIG. 5 is a top plan view of the dispenser of FIG. 1;

FIG. 6 is a bottom plan view of the dispenser of FIG. 1; and,

FIG. 7 is a rear elevational view of the dispenser of FIG. 1.

**1 Claim, 4 Drawing Sheets**



# US D492,192 S

Page 2

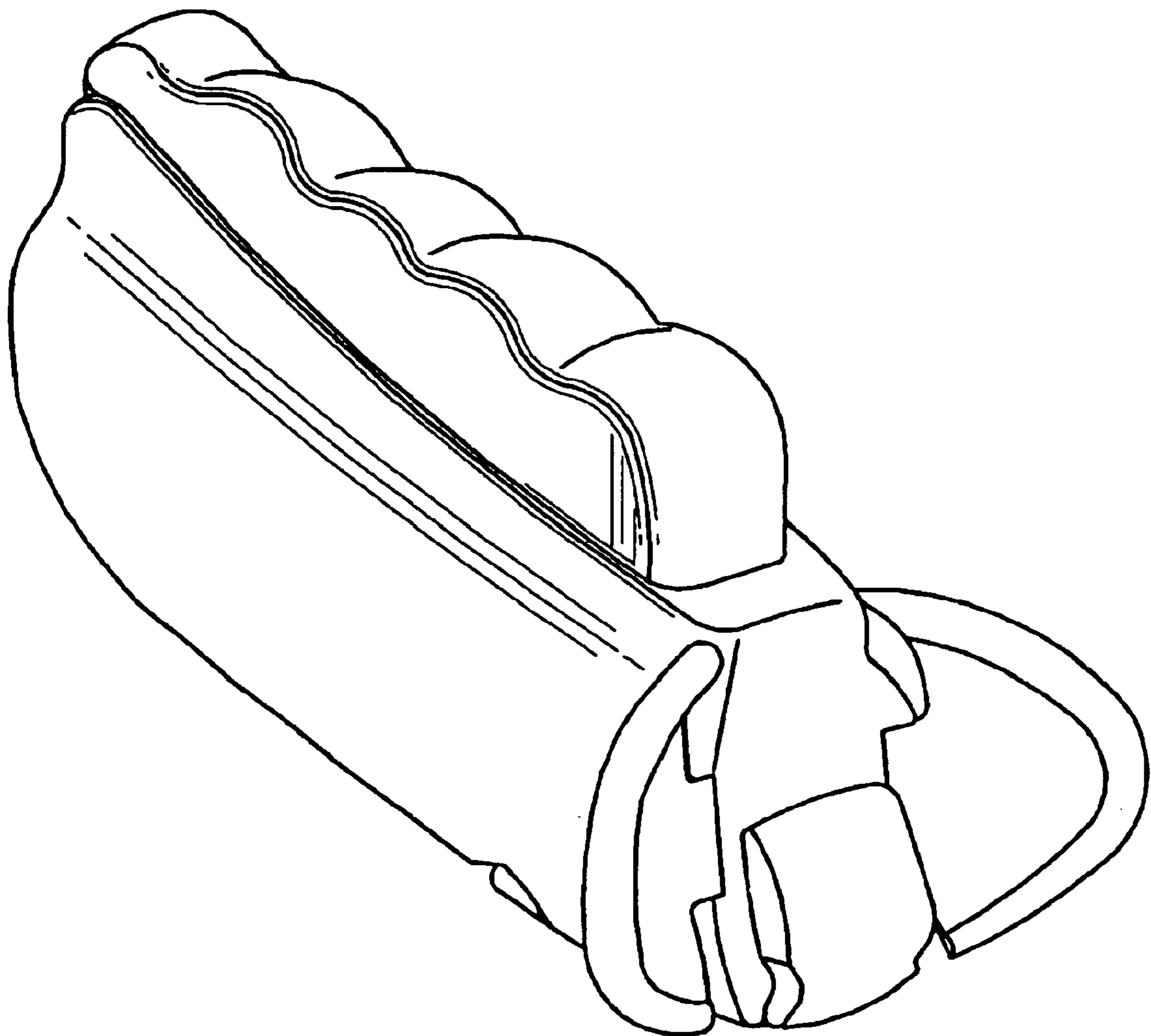
---

## U.S. PATENT DOCUMENTS

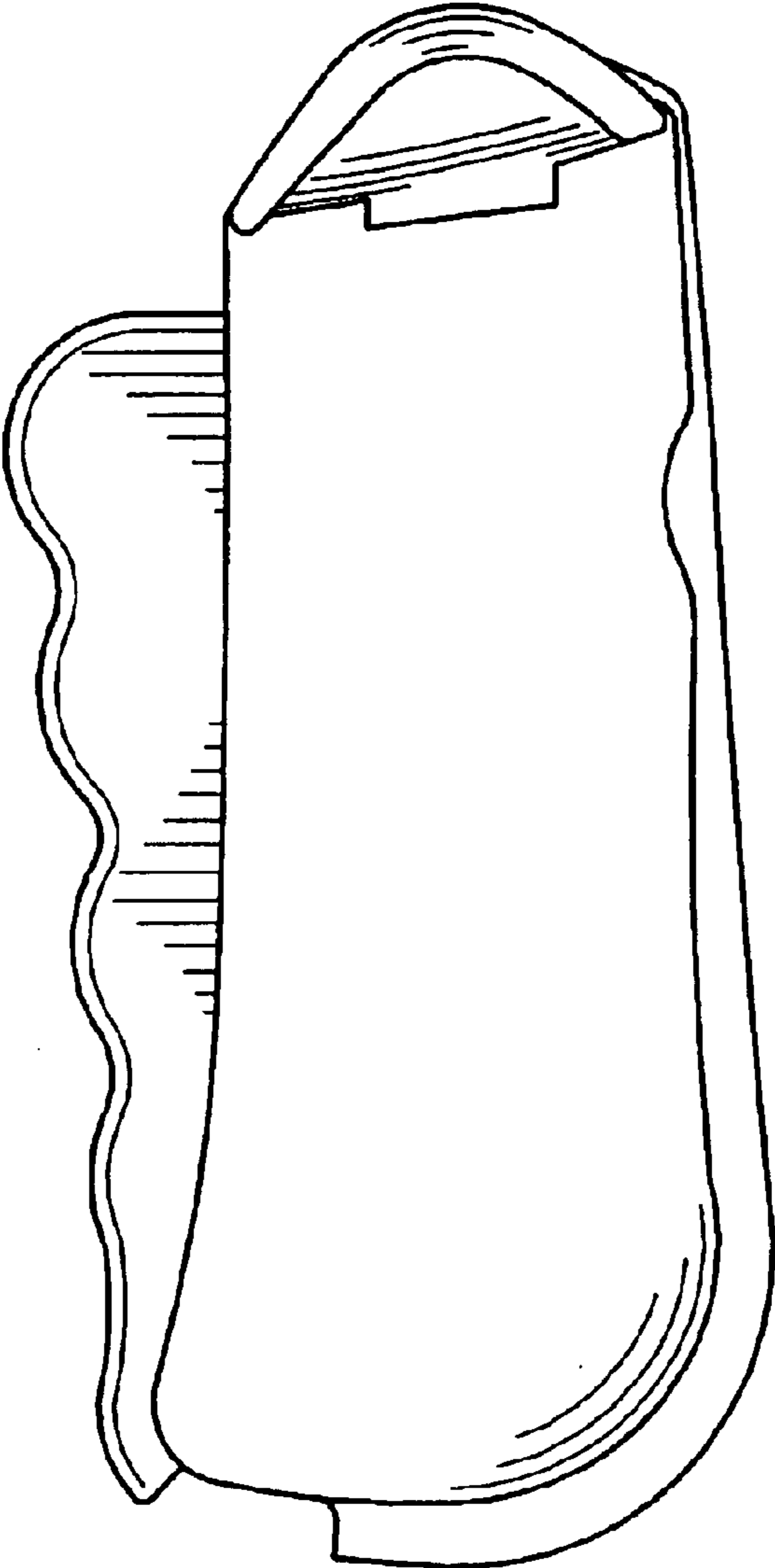
D368,774 S	4/1996	Py	5,780,130 A	7/1998	Hansen et al.
D374,719 S	10/1996	Py	5,803,311 A	9/1998	Fuchs
5,562,960 A	10/1996	Sugiura et al.	5,804,236 A	9/1998	Frisk
5,565,160 A	10/1996	Makuuchi et al.	5,816,772 A	10/1998	Py
5,613,957 A	3/1997	Py	5,875,931 A	3/1999	Py
5,615,795 A	4/1997	Tipps	5,931,386 A	8/1999	Jouillat
5,641,004 A	6/1997	Py	5,944,702 A	8/1999	Py
5,676,267 A	10/1997	Slat et al.	RE36,410 E	11/1999	Meshberg
5,685,869 A	11/1997	Py	6,033,384 A	3/2000	Py
5,687,882 A	11/1997	Mueller	6,062,430 A	5/2000	Fuchs
5,746,728 A	5/1998	Py	6,343,713 B1	2/2002	Abplanalp

\* cited by examiner

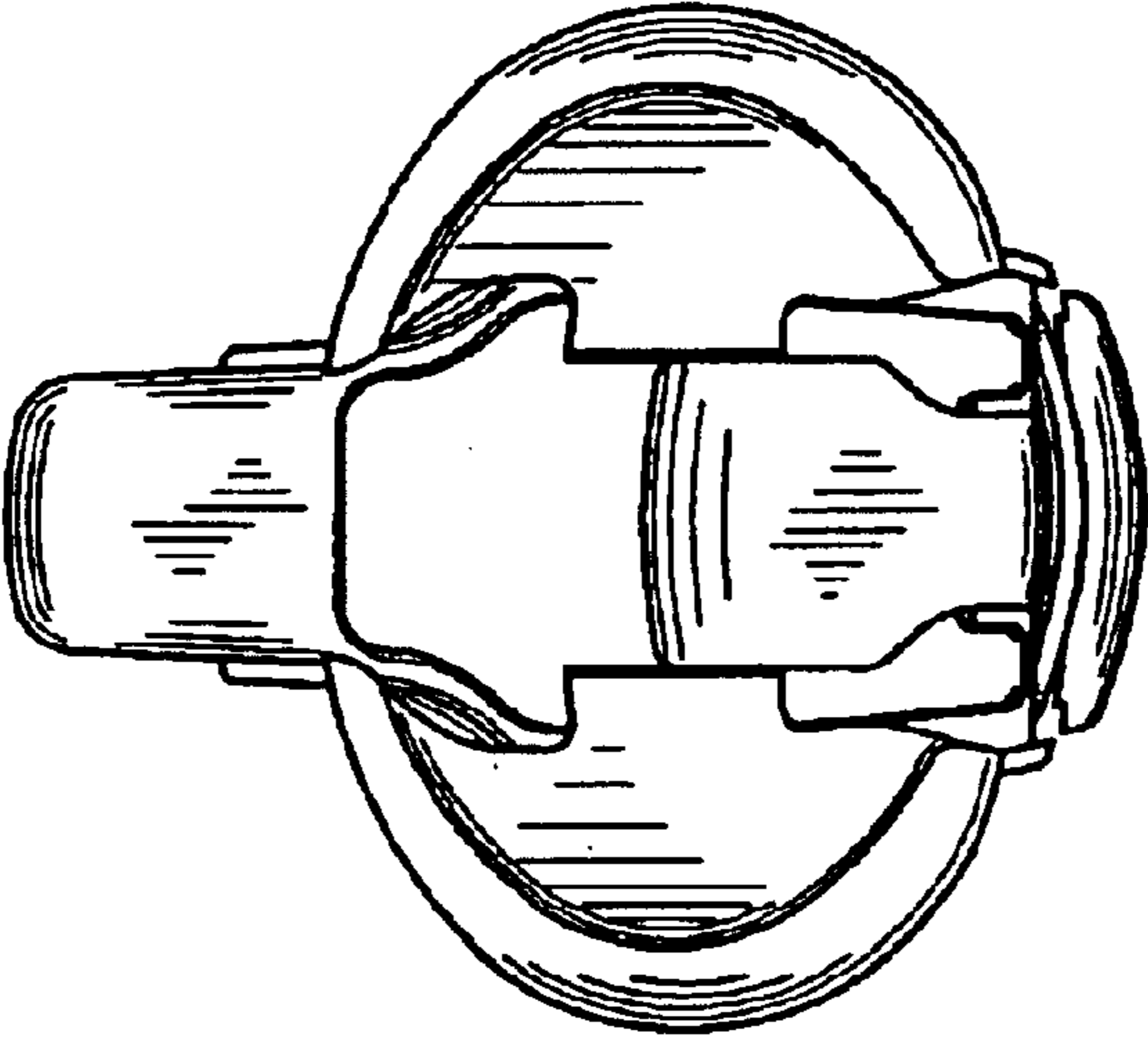
***FIG. 1***



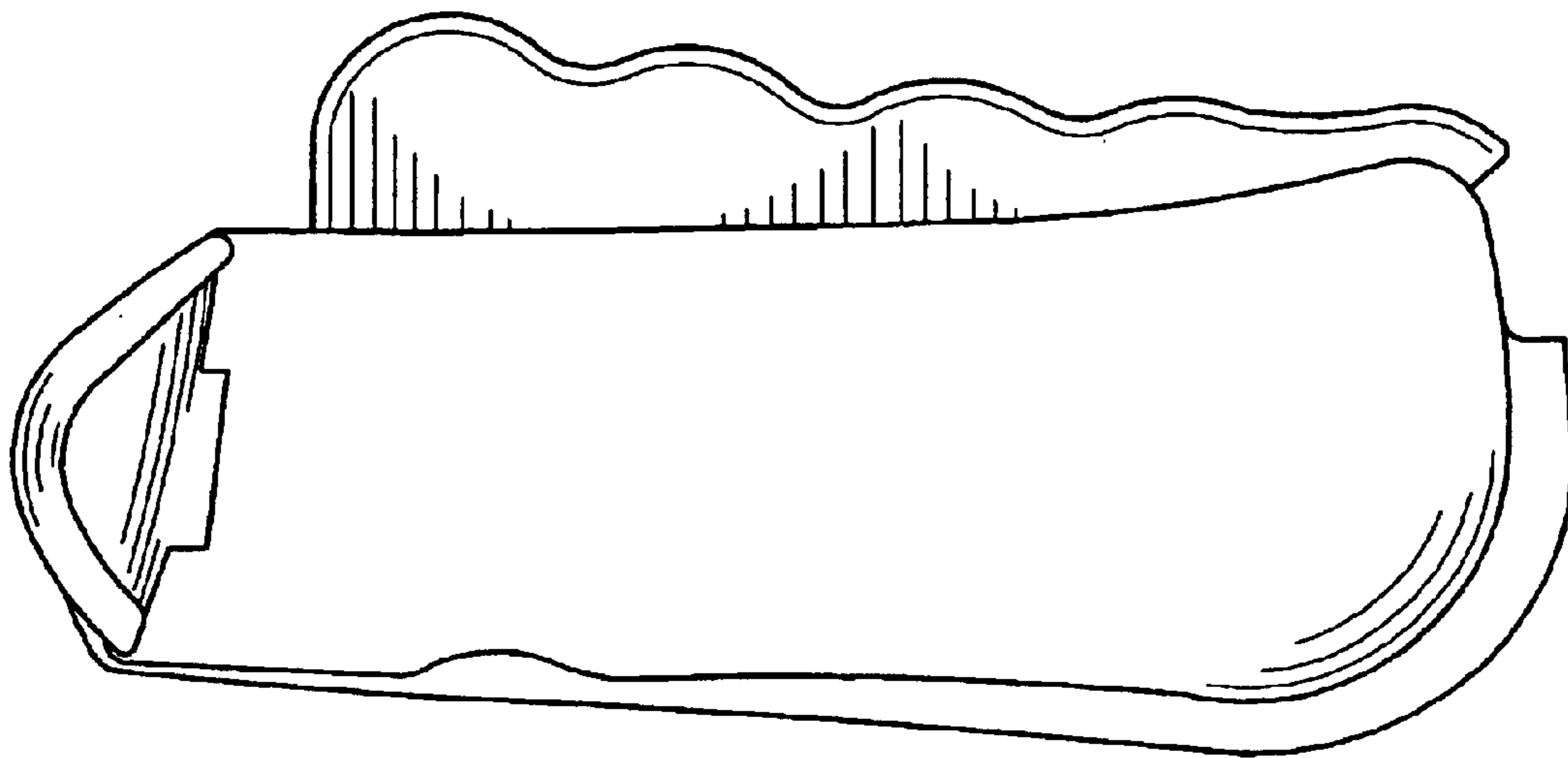
**FIG. 3**



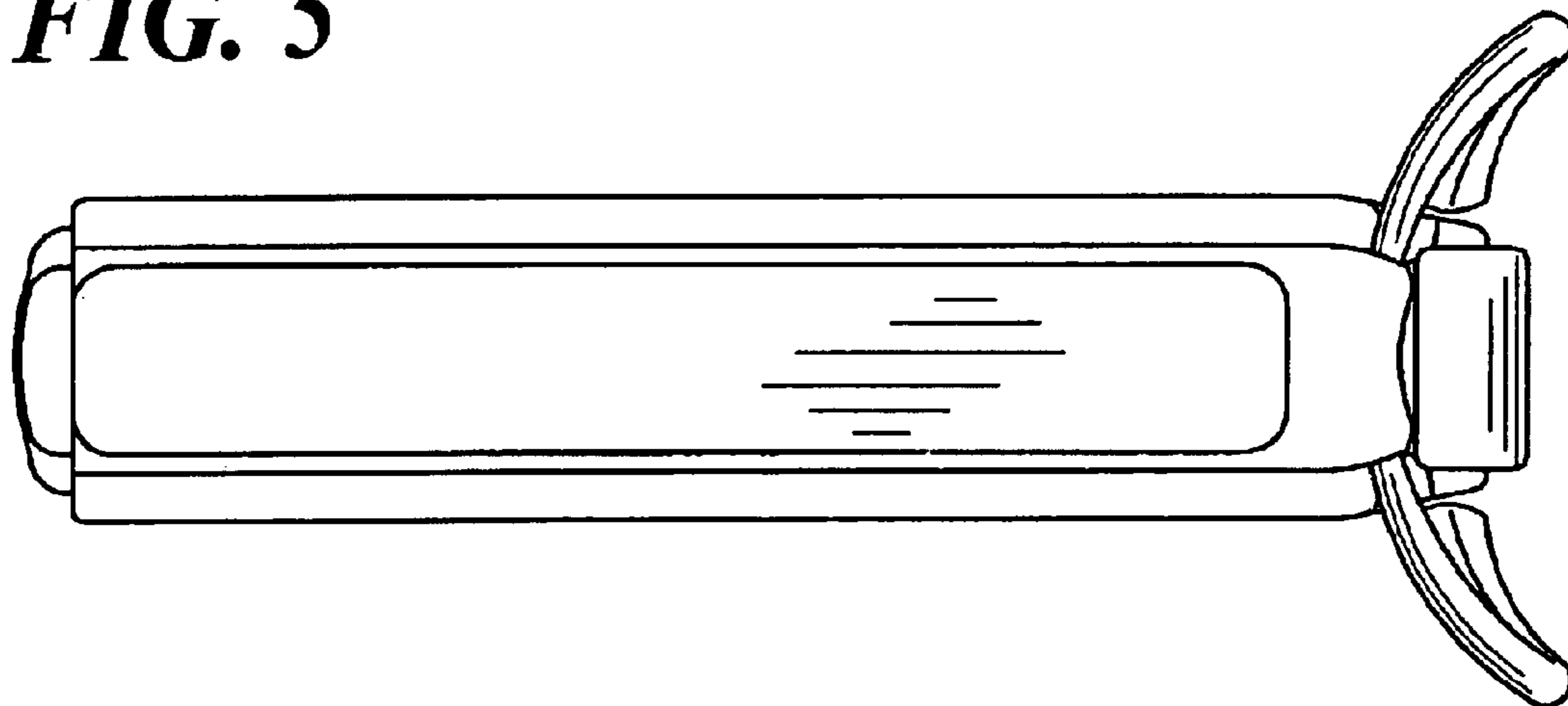
**FIG. 2**



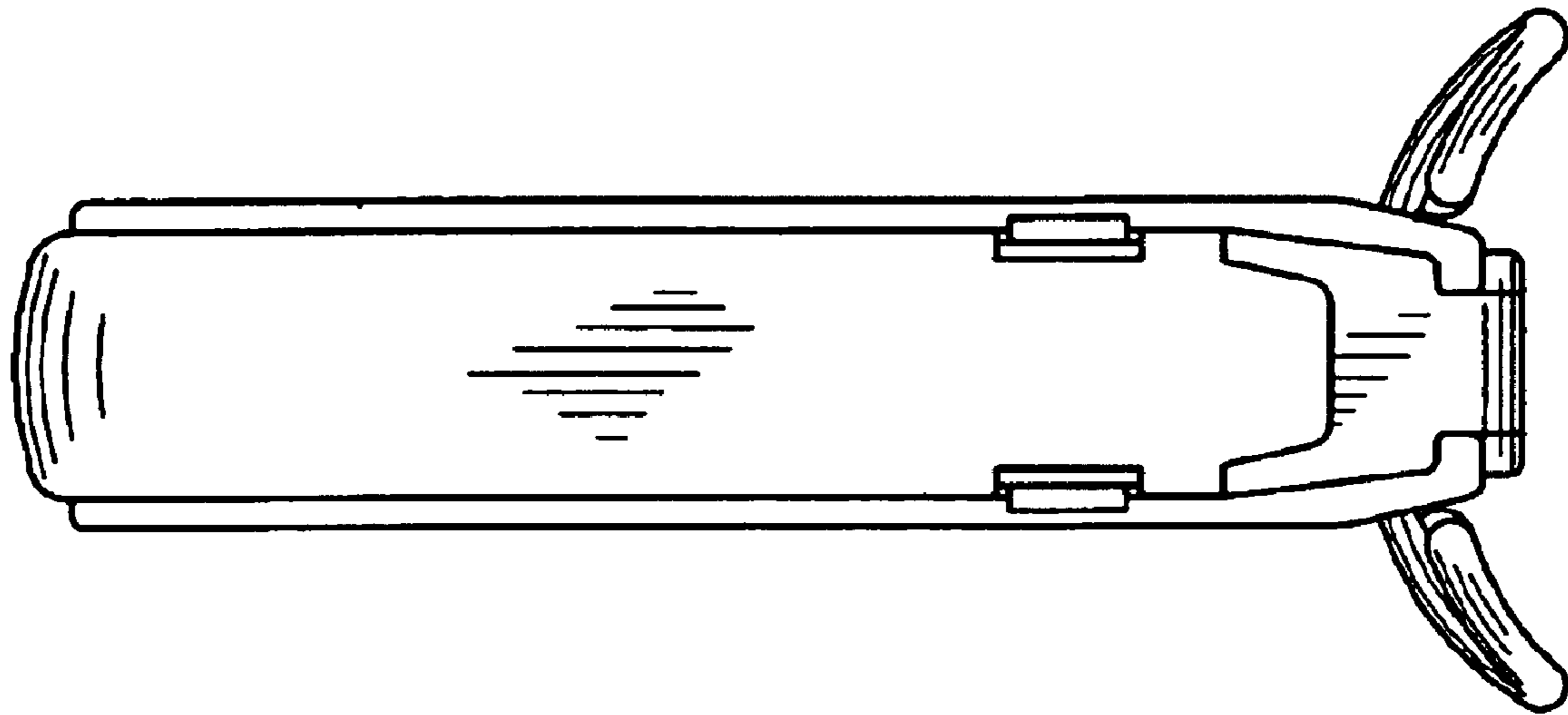
**FIG. 4**



**FIG. 5**



**FIG. 6**



**FIG. 7**

