

US00D492189S1

(12) **United States Design Patent**
Weremchuk et al.

(10) **Patent No.:** **US D492,189 S**
(45) **Date of Patent:** **** Jun. 29, 2004**

(54) **BRACKET**

D272,414 S * 1/1984 Barnes D8/363
D418,393 S * 1/2000 Proctor D8/354

(75) Inventors: **Peter Weremchuk**, South Windsor, CT (US); **Kenneth Strickland**, South Glastonbury, CT (US)

* cited by examiner

Primary Examiner—Holly Baynham

(73) Assignee: **The Stanley Works**, New Britain, CT (US)

(74) *Attorney, Agent, or Firm*—Pillsbury Winthrop LLP

(**) Term: **14 Years**

(57) **CLAIM**

The ornamental design for a bracket, as shown and described.

(21) Appl. No.: **29/185,265**

DESCRIPTION

(22) Filed: **Jun. 26, 2003**

FIG. 1 is a perspective view of a bracket showing our design looking downwardly at a front and left side thereof; FIG. 2 is a perspective view of the bracket looking downwardly at a rear and right side thereof; FIG. 3 is a front elevational view of the bracket; FIG. 4 is a rear elevational view of the bracket; FIG. 5 is a side elevational view of the bracket; FIG. 6 is a top plan view of the bracket; and, FIG. 7 is a bottom plan view of the bracket.

(51) **LOC (7) Cl.** **08-05**

(52) **U.S. Cl.** **D8/371; D8/354**

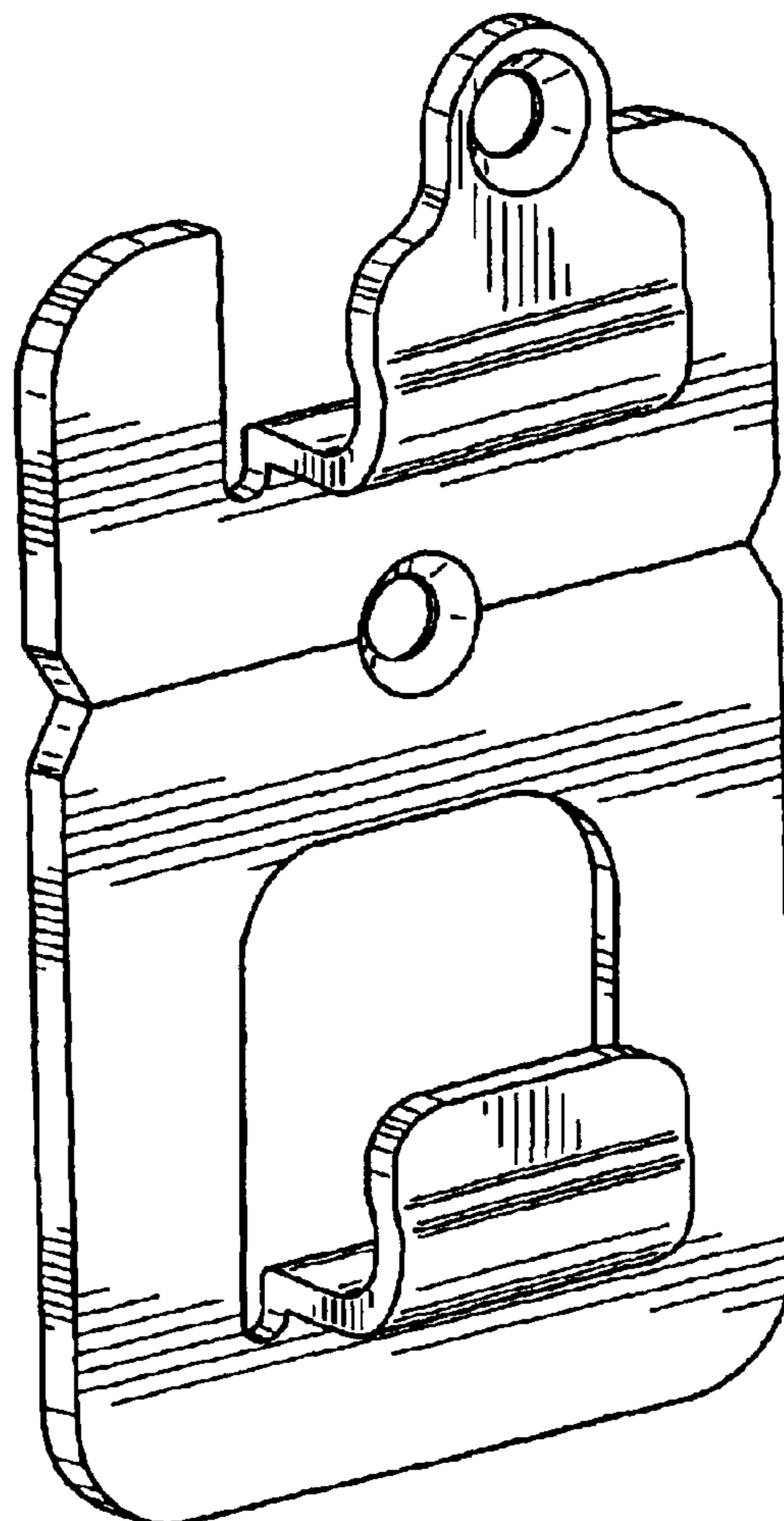
(58) **Field of Search** D8/349, 354, 371, D8/363; 248/27.1, 231.81, 220.42, 220.22

(56) **References Cited**

U.S. PATENT DOCUMENTS

D231,901 S * 6/1974 Bentley D8/371

1 Claim, 3 Drawing Sheets



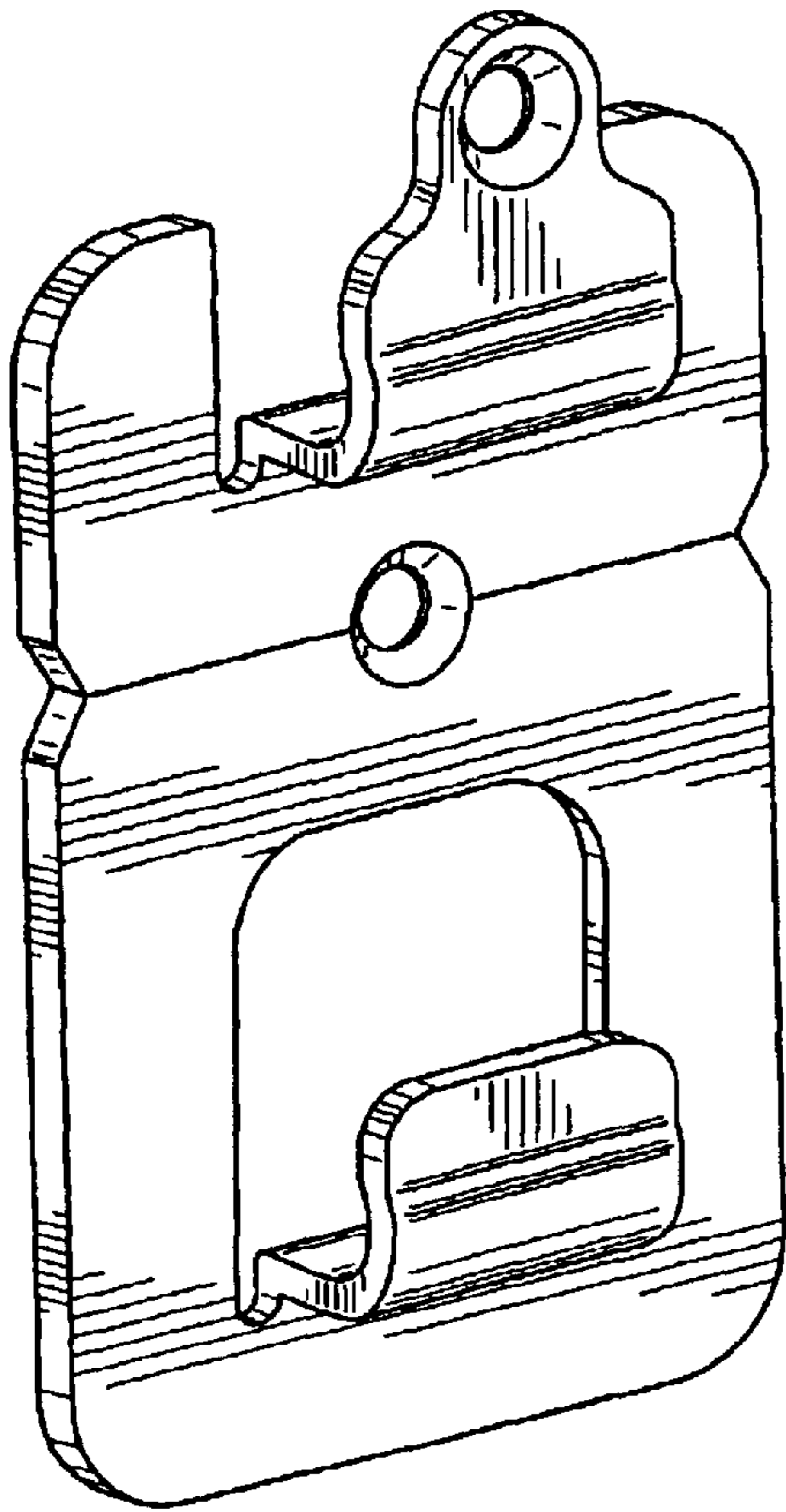


FIG. 1

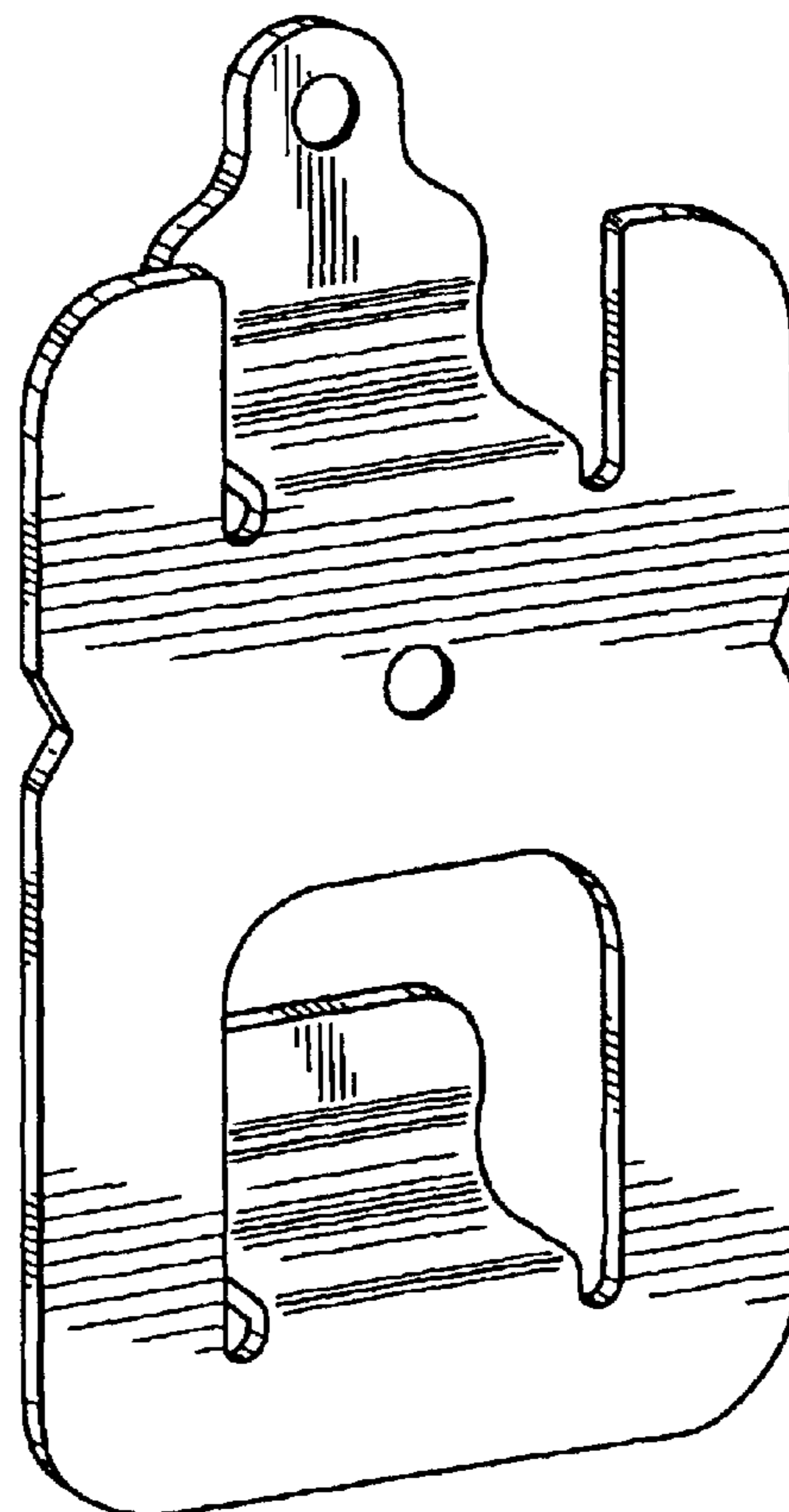


FIG. 2

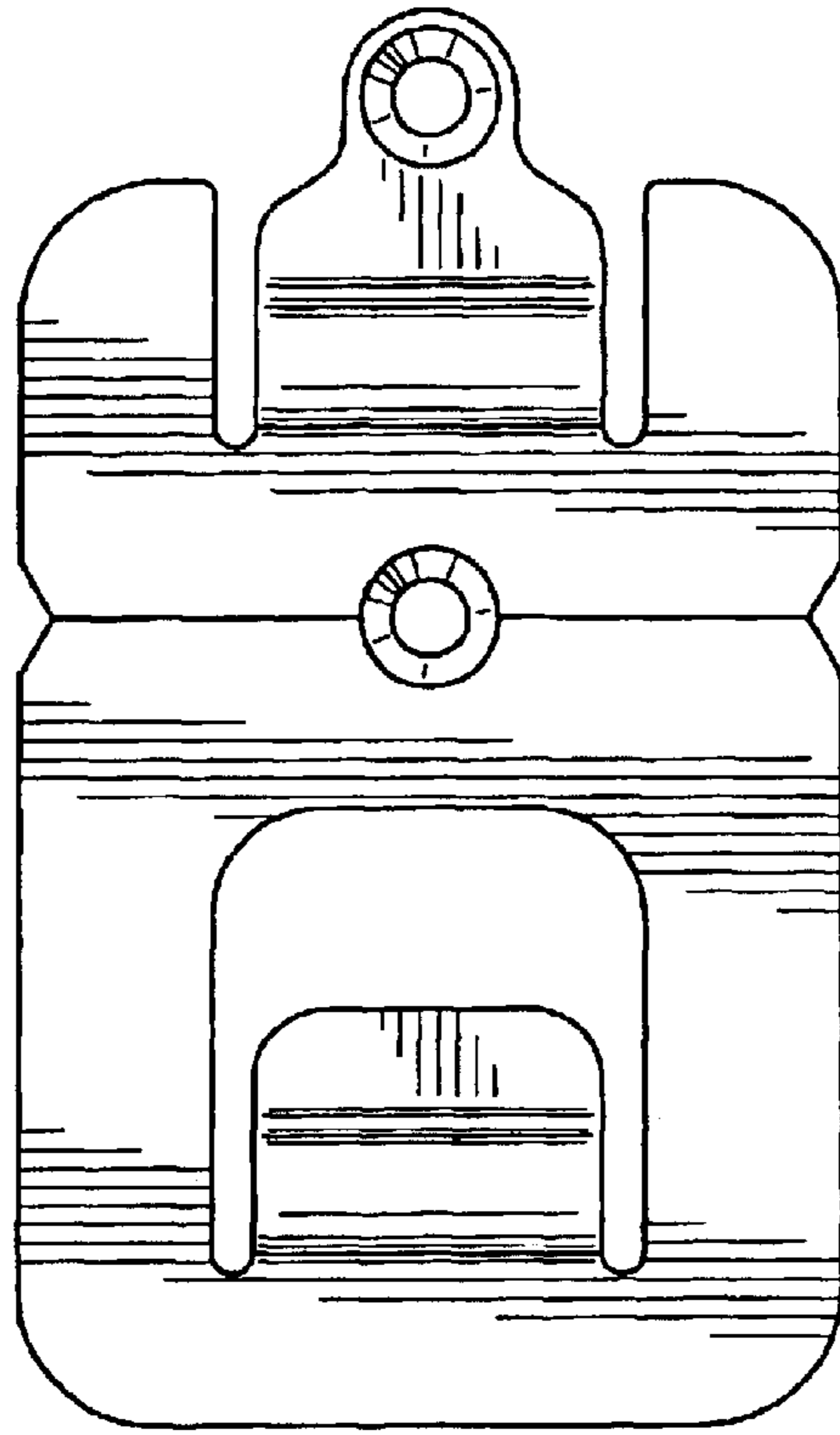


FIG. 3

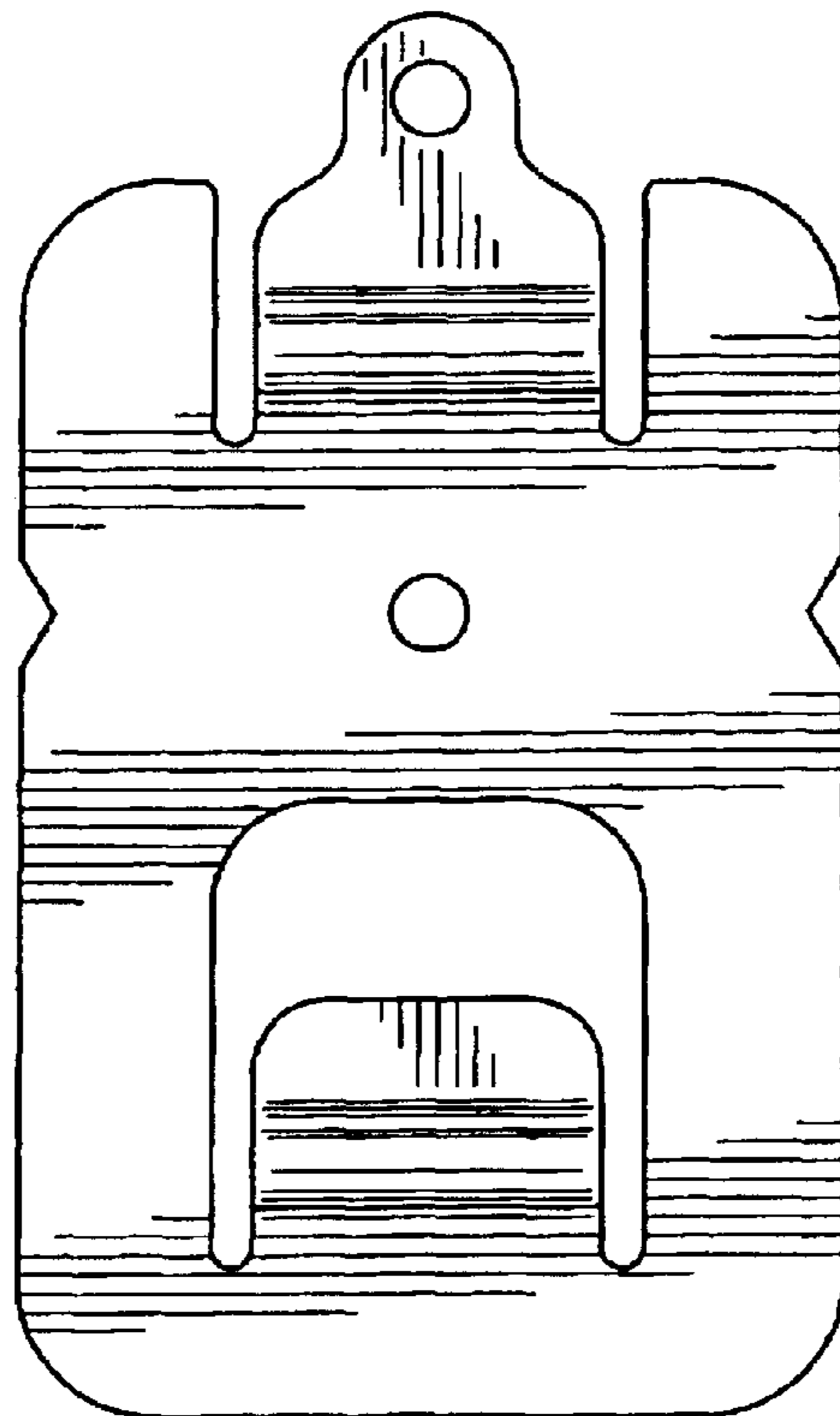


FIG. 4

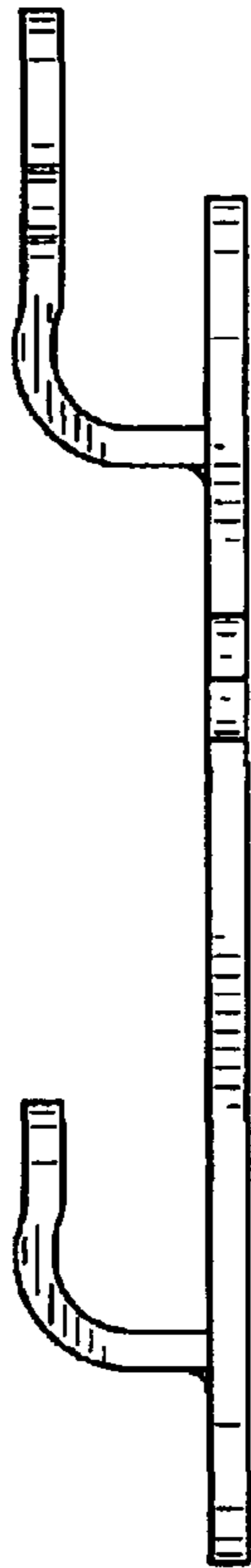


FIG. 5

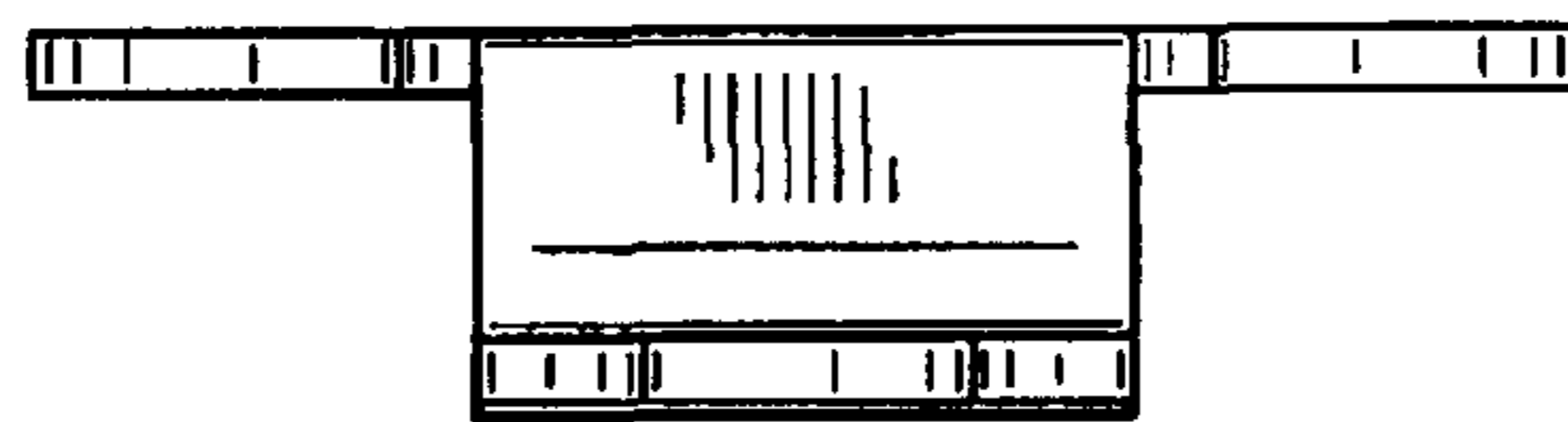


FIG. 6

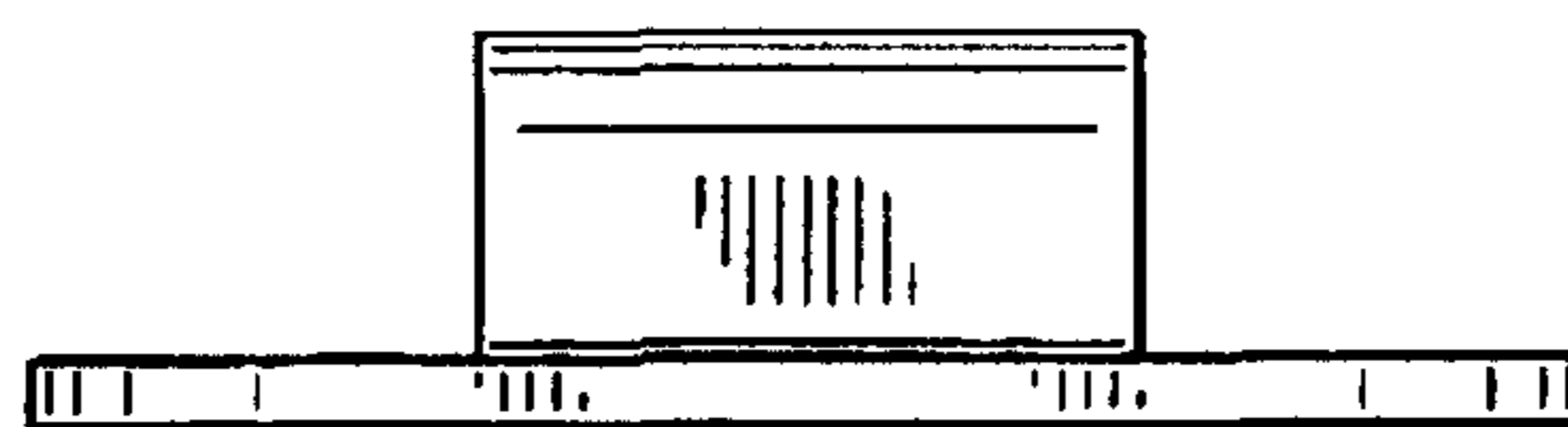


FIG. 7