



US00D492187S1

(12) **United States Design Patent**
Mottini

(10) **Patent No.: US D492,187 S**
(45) **Date of Patent: ** *Jun. 29, 2004**

(54) **RIGHT CORNER OFFSET DASHBOARD
MOUNT FOR POLICE RADIO CASE**

(76) Inventor: **Phillip J. Mottini**, 8885 Providence
Ln., Granite Bay, CA (US) 95746

(*) Notice: This patent is subject to a terminal dis-
claimer.

(**) Term: **14 Years**

(21) Appl. No.: **29/175,285**

(22) Filed: **Feb. 3, 2003**

(51) **LOC (7) Cl. 08-05**

(52) **U.S. Cl. D8/354**

(58) **Field of Search** D3/215, 218; D8/349,
D8/354, 355, 366, 373, 380; D12/223,
415, 420, 422; 211/86.01; 224/247, 271,
483, 571, 901.8; 248/200, 205.1, 220.21,
300, 309.1, 311.2; 379/446, 454, 455

(56) **References Cited**

U.S. PATENT DOCUMENTS

D236,855 S	*	9/1975	Hegel	D12/415
D270,120 S	*	8/1983	McPherson, Sr.	D8/373
D280,466 S	*	9/1985	Seltzer et al.	D12/422
4,948,022 A	*	8/1990	VanDyke	224/483
5,014,892 A	*	5/1991	Copeland	224/270

D318,949 S	*	8/1991	Mawhinney et al.	D12/422
5,054,170 A	*	10/1991	Otrusina	24/597
5,071,049 A	*	12/1991	Mozer	224/277
D398,835 S	*	9/1998	Coll et al.	D8/354
5,850,954 A	*	12/1998	Dong-Joo	224/197
D404,038 S	*	1/1999	Fransson et al.	D14/253
D426,701 S	*	6/2000	Edwards et al.	D3/218
D438,536 S	*	3/2001	Willison et al.	D14/253
6,491,194 B2	*	12/2002	Marvin	379/446

* cited by examiner

Primary Examiner—James Gandy

Assistant Examiner—Elizabeth Albert

(74) *Attorney, Agent, or Firm*—Mark C. Jacobs

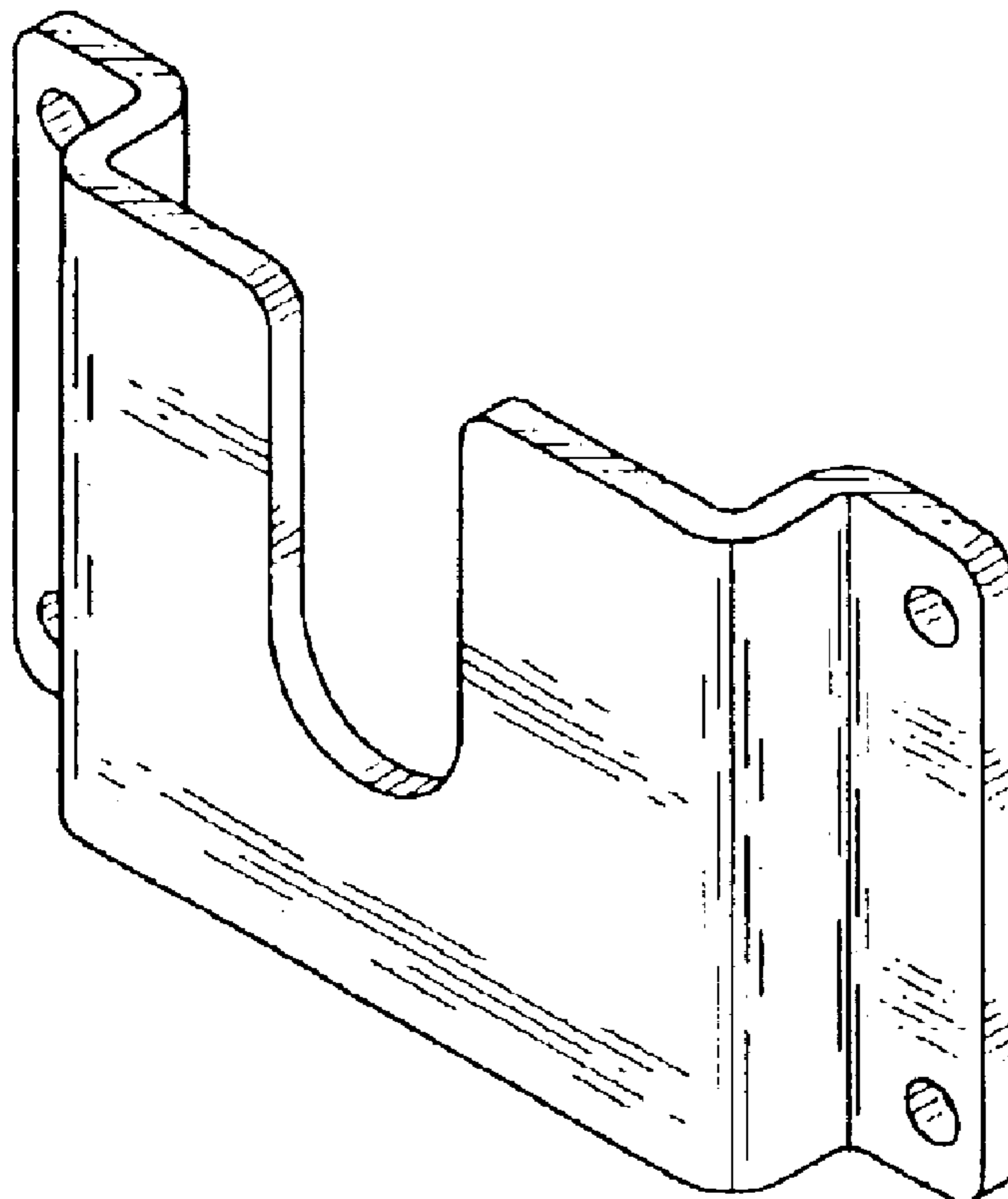
(57) **CLAIM**

The ornamental design for right corner offset dashboard
mount for police radio case, as shown and described.

DESCRIPTION

FIG. 1 is a perspective view of a right corner offset dash-
board mount for a police radio case showing my new design.
FIG. 2 is a front elevational view of FIG. 1.
FIG. 3 is a left side elevational view of FIG. 1. The right side
elevational view is a mirror image thereof.
FIG. 4 is a rear elevational view of FIG. 1.
FIG. 5 is a top plan view of FIG. 1; and,
FIG. 6 is a bottom plan view of FIG. 1.

1 Claim, 1 Drawing Sheet



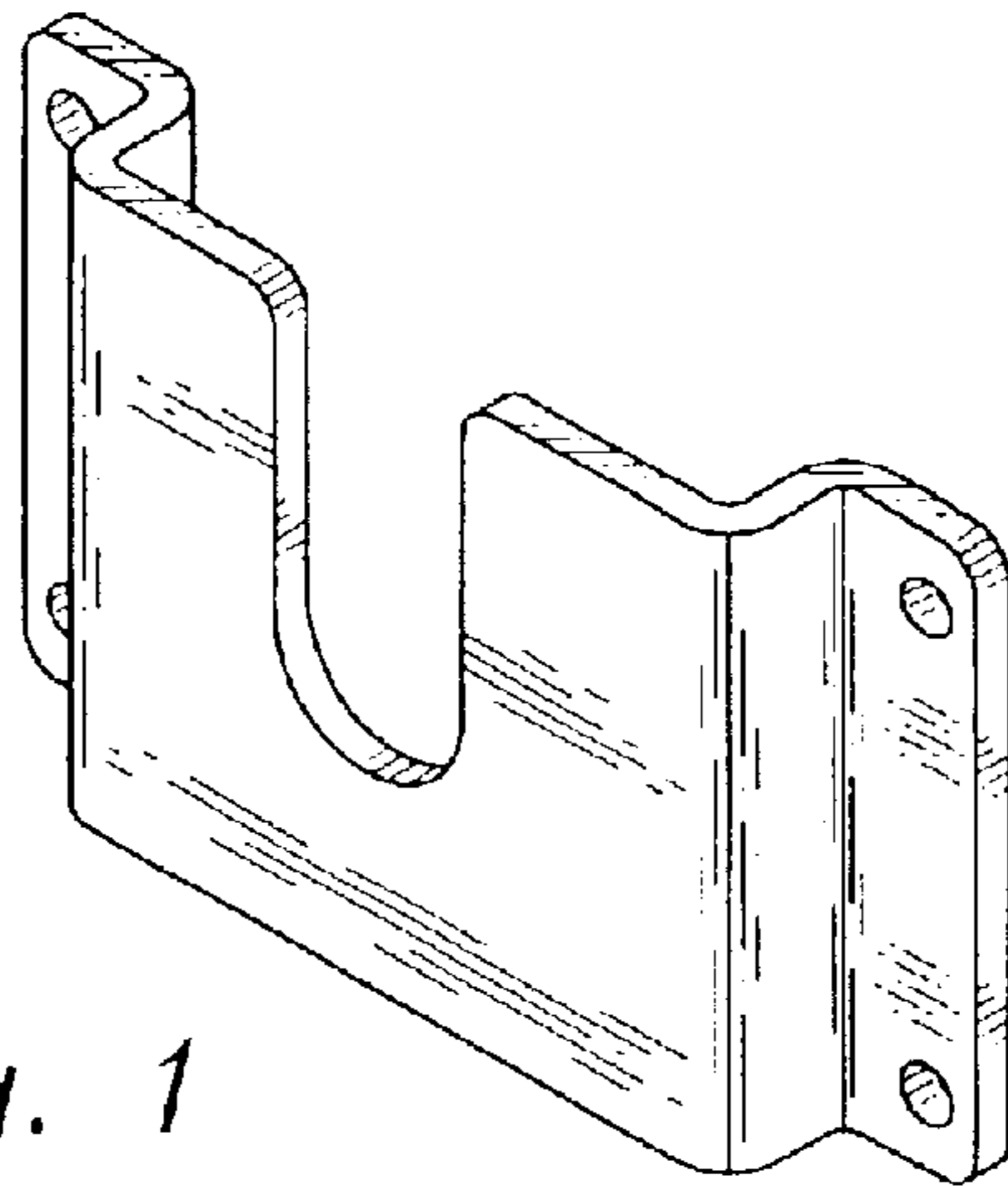


Fig. 1

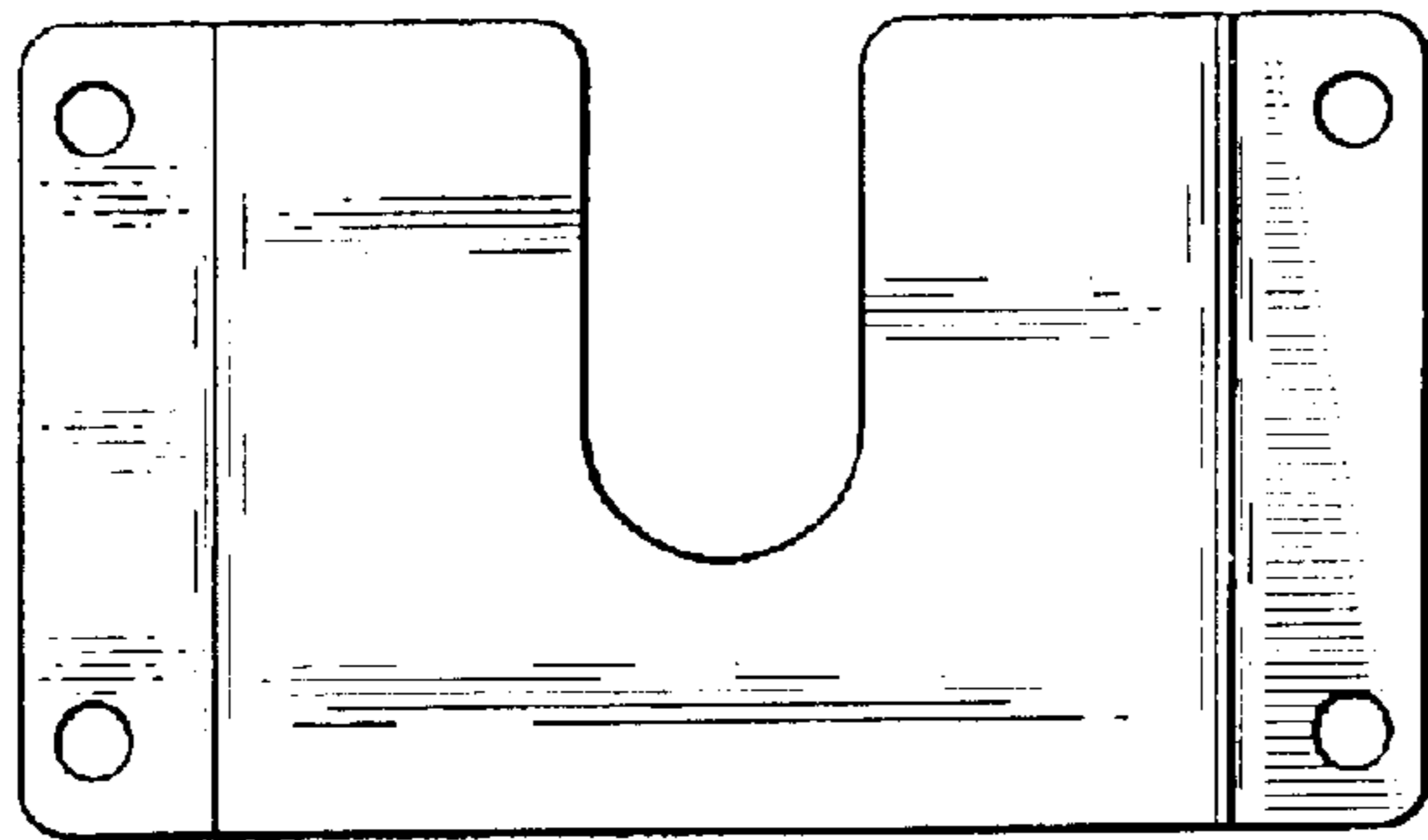


Fig. 2

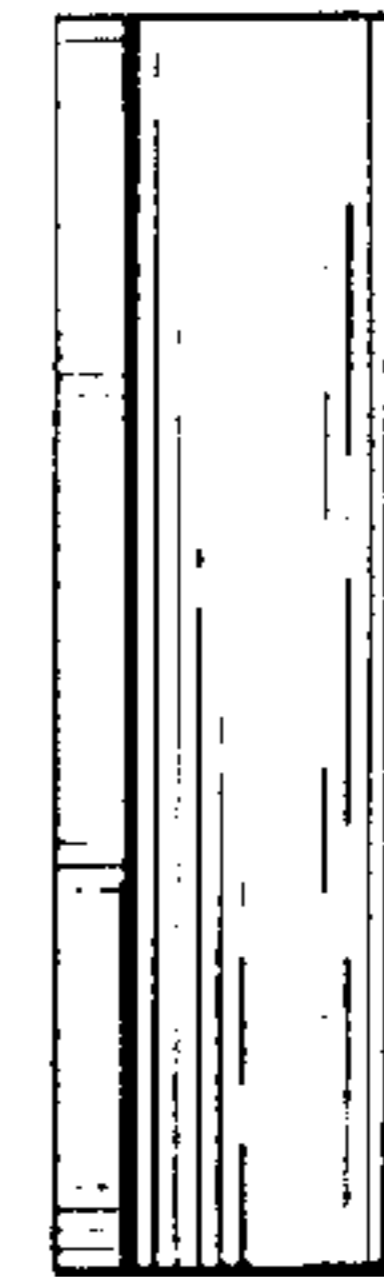


Fig. 3

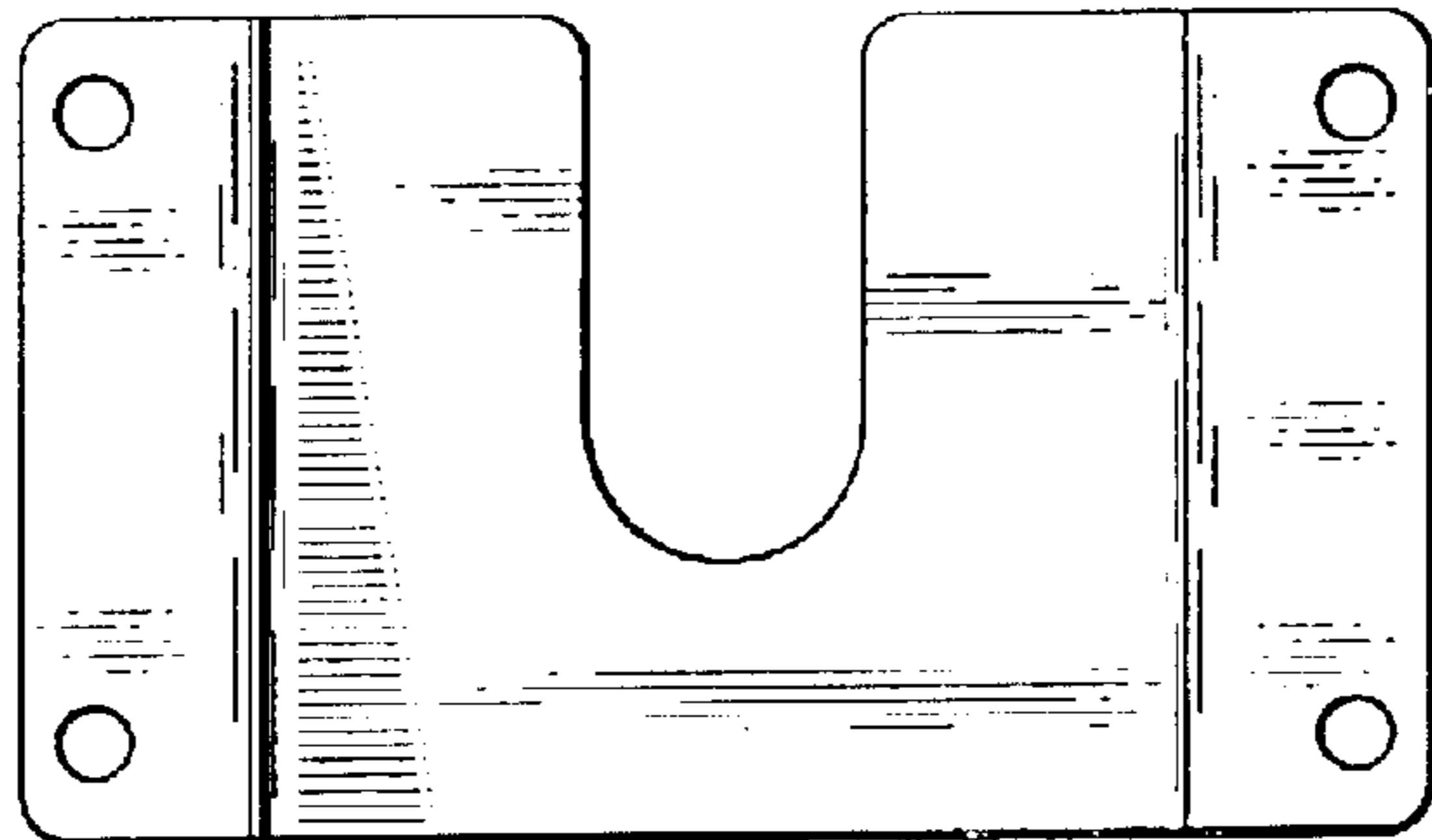


Fig. 4



Fig. 5

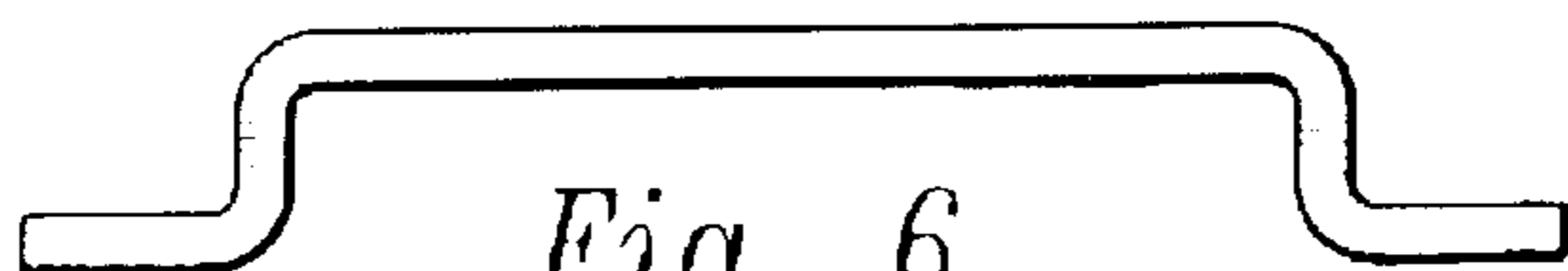


Fig. 6