

US00D492185S1

(12) **United States Design Patent**  
**Maurer, Jr.**

(10) **Patent No.:** **US D492,185 S**  
(45) **Date of Patent:** **\*\* Jun. 29, 2004**

(54) **ELECTRICAL CORD PLUG LOCK**

6,675,614 B2 \* 1/2004 Lai ..... 70/25

(76) Inventor: **Michael Maurer, Jr.**, 19231 Brook  
Hollow Dr., Wildwood, MO (US) 63038

(\*\*) Term: **14 Years**

(21) Appl. No.: **29/186,749**

(22) Filed: **Jul. 22, 2003**

(51) **LOC (7) Cl.** ..... **08-07**

(52) **U.S. Cl.** ..... **D8/331; D8/330**

(58) **Field of Search** ..... **D8/330, 331, 334-338;**  
**70/14, 20, 21, 22, 23, 52, 53, 58, 284-286**

(56) **References Cited**

**U.S. PATENT DOCUMENTS**

4,488,764	A	12/1984	Pfenning et al.	
4,563,048	A	1/1986	Im	
4,566,297	A	1/1986	Hawley	
4,666,224	A	5/1987	Fields	
4,673,230	A	6/1987	Baumgart	
5,666,829	A	9/1997	Aikens	
5,795,166	A	8/1998	Meixler	
5,848,905	A	12/1998	Patel	
D404,635	S *	1/1999	Yang	D8/331
6,082,155	A *	7/2000	Su	70/22
6,159,025	A	12/2000	Derman	
6,363,758	B1 *	4/2002	Ling	70/30
6,415,634	B2 *	7/2002	Luquire	70/18
6,513,356	B1 *	2/2003	Yang	70/213
D472,789	S *	4/2003	Ling	D8/331
D476,547	S *	7/2003	Ling	D8/330
D477,525	S *	7/2003	Ling	D8/330
6,598,434	B2 *	7/2003	Yang	70/213

**OTHER PUBLICATIONS**

Home Security Catalog, 1979, p. 28 (From Digest).  
Sellery, Inc., Combination Padlock, California, digital photograph of item taken Nov. 7, 2003.

\* cited by examiner

*Primary Examiner*—Prabhakar Deshmukh  
(74) *Attorney, Agent, or Firm*—Blackwell Sanders Peper Martin LLP

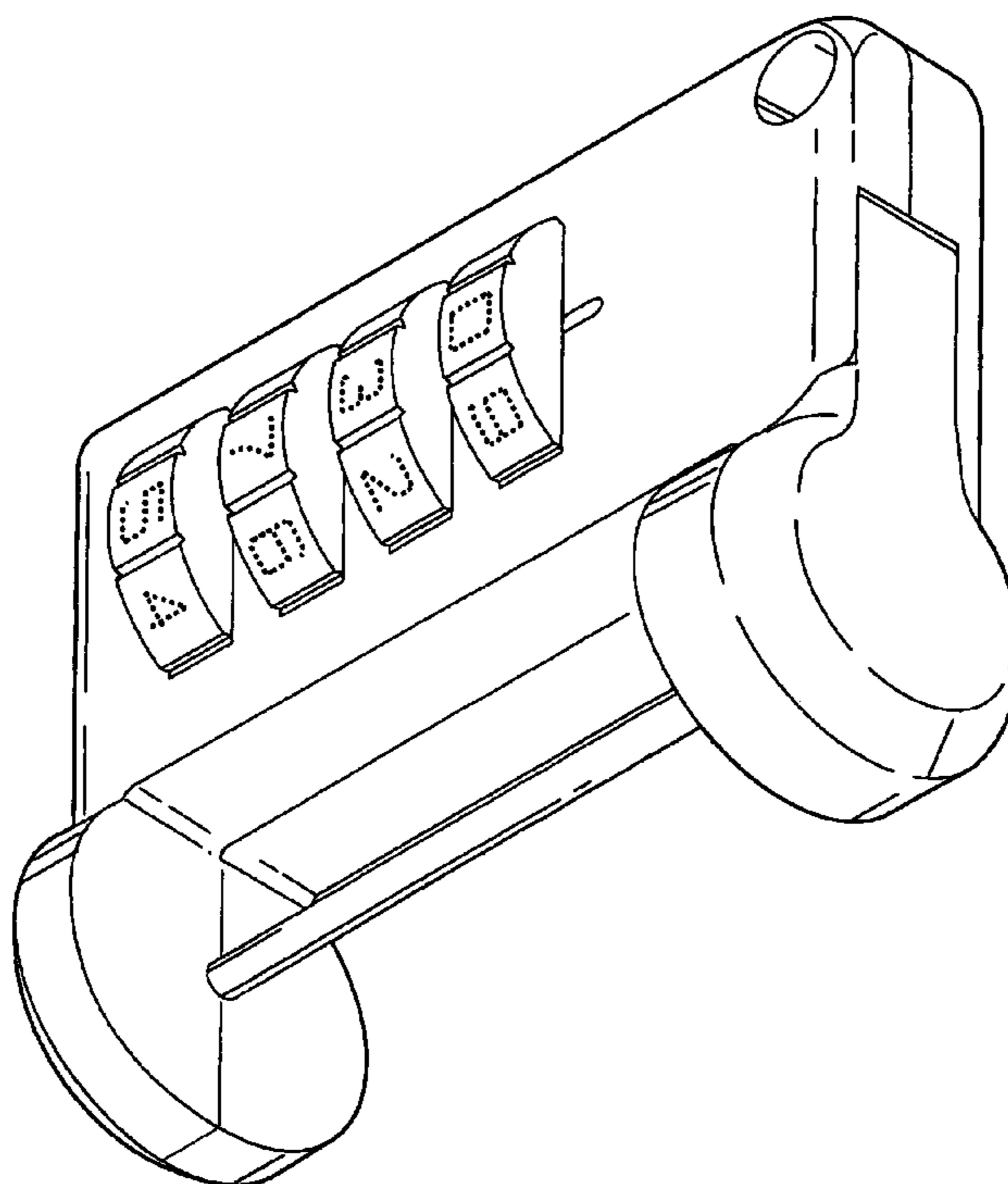
(57) **CLAIM**

The ornamental design for an electrical cord plug lock, shown and described.

**DESCRIPTION**

FIG. 1 is a perspective view of an electrical cord plug clock showing my new design.  
FIG. 2 is a front elevational view thereof showing the pivotable arm member in its open position.  
FIG. 3 is a front elevational view thereof showing the pivotable arm member in its closed position.  
FIG. 4 is a rear elevational view thereof.  
FIG. 5 is a bottom plan view thereof.  
FIG. 6 is a top plan view thereof.  
FIG. 7 is a left side elevational view thereof; and,  
FIG. 8 is a right side elevational view thereof.  
The broken lines showing the numbers associated with the plurality of tumblers in FIG. 1 is for illustrative purposes only and forms no part of the claimed design.

**1 Claim, 4 Drawing Sheets**



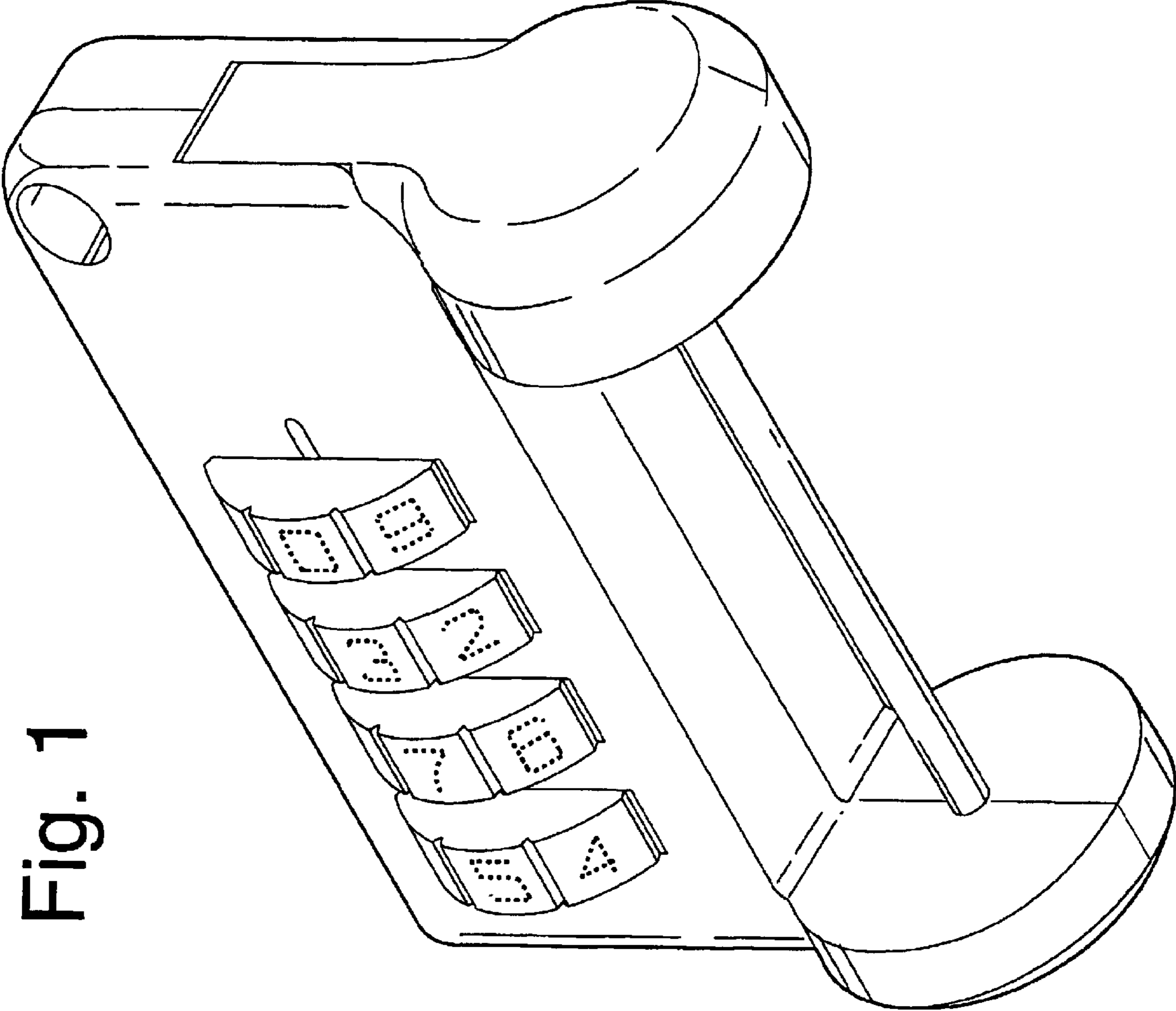


Fig. 1

Fig. 2

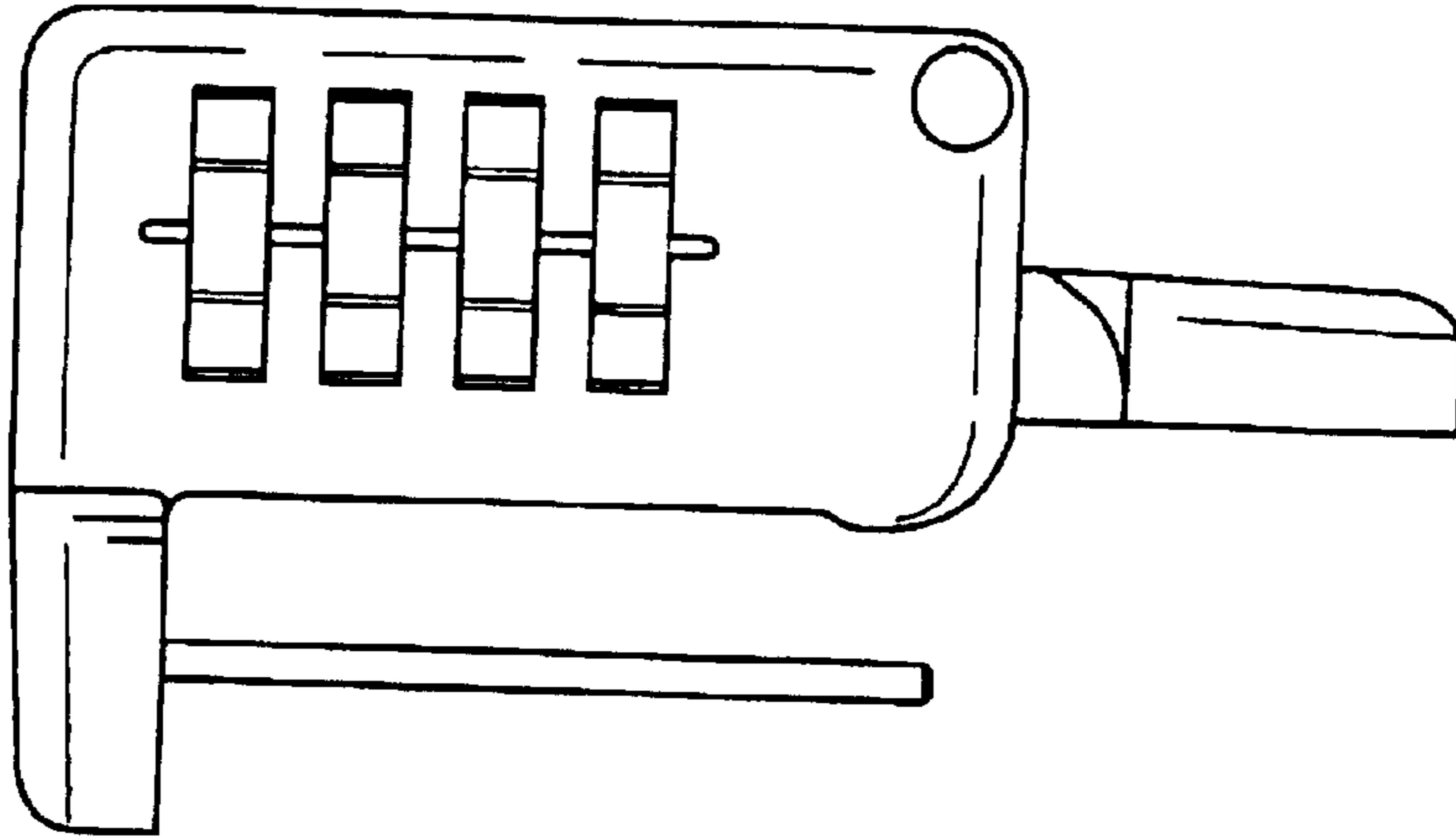


Fig. 3

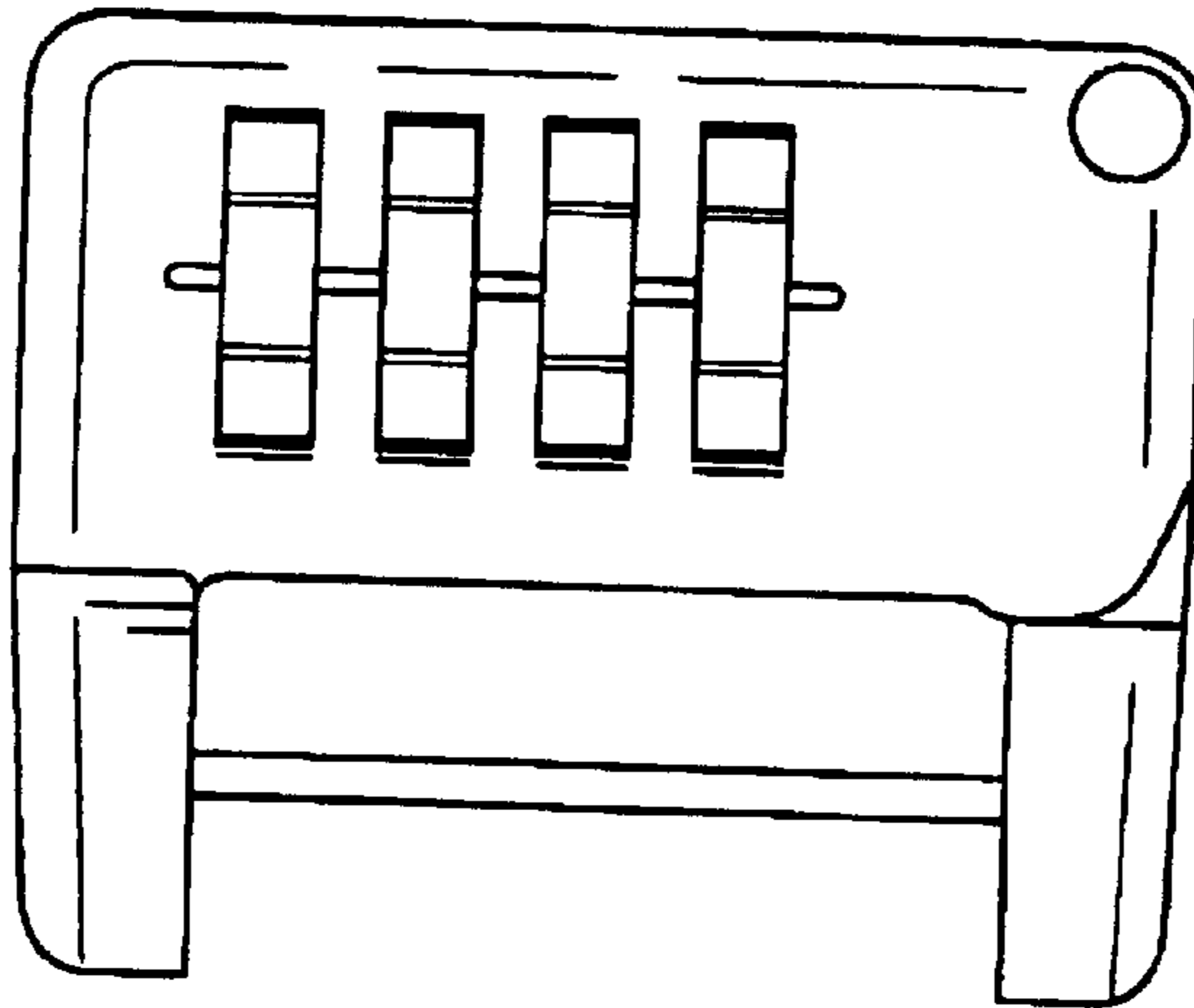


Fig. 4

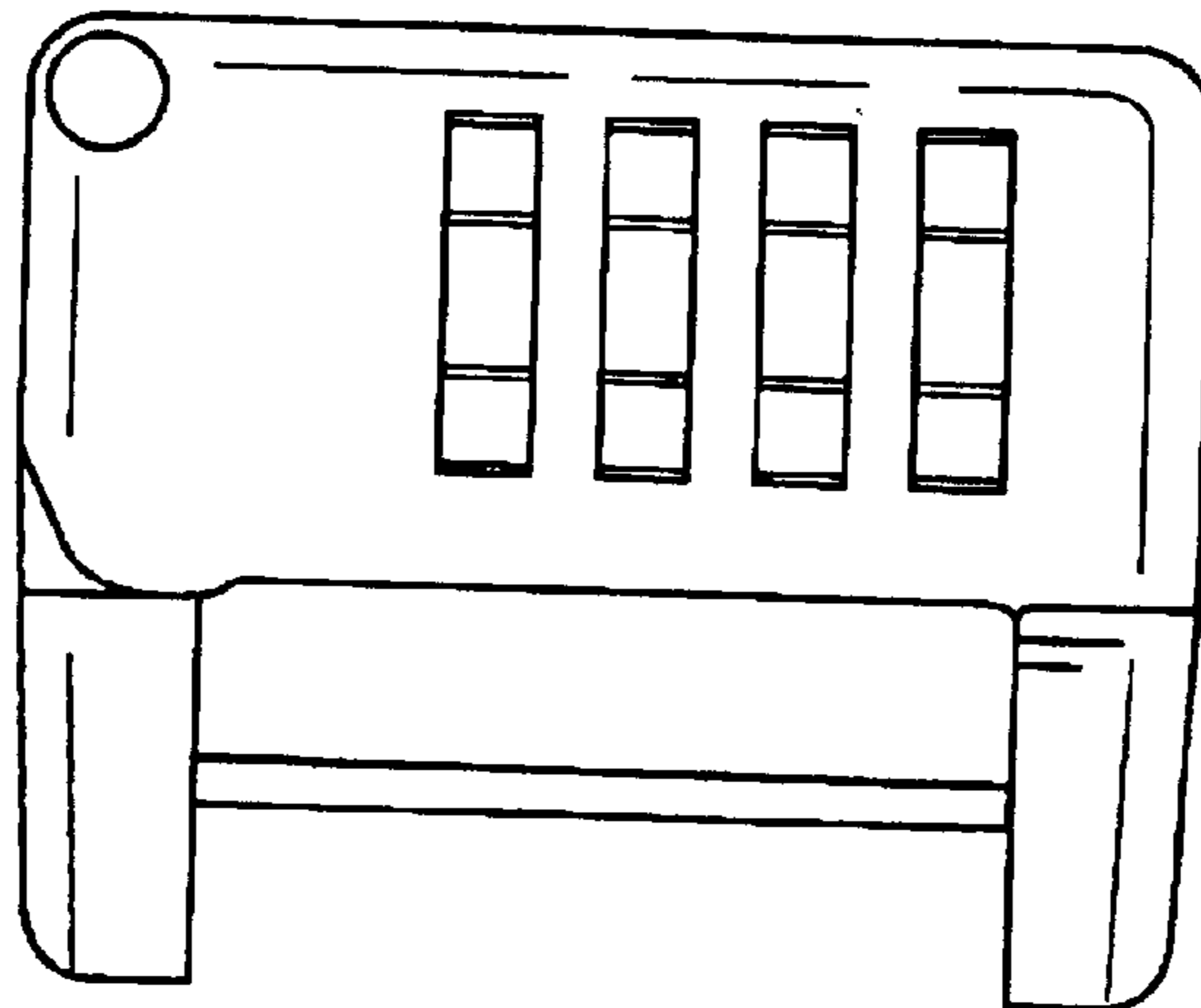


Fig. 5

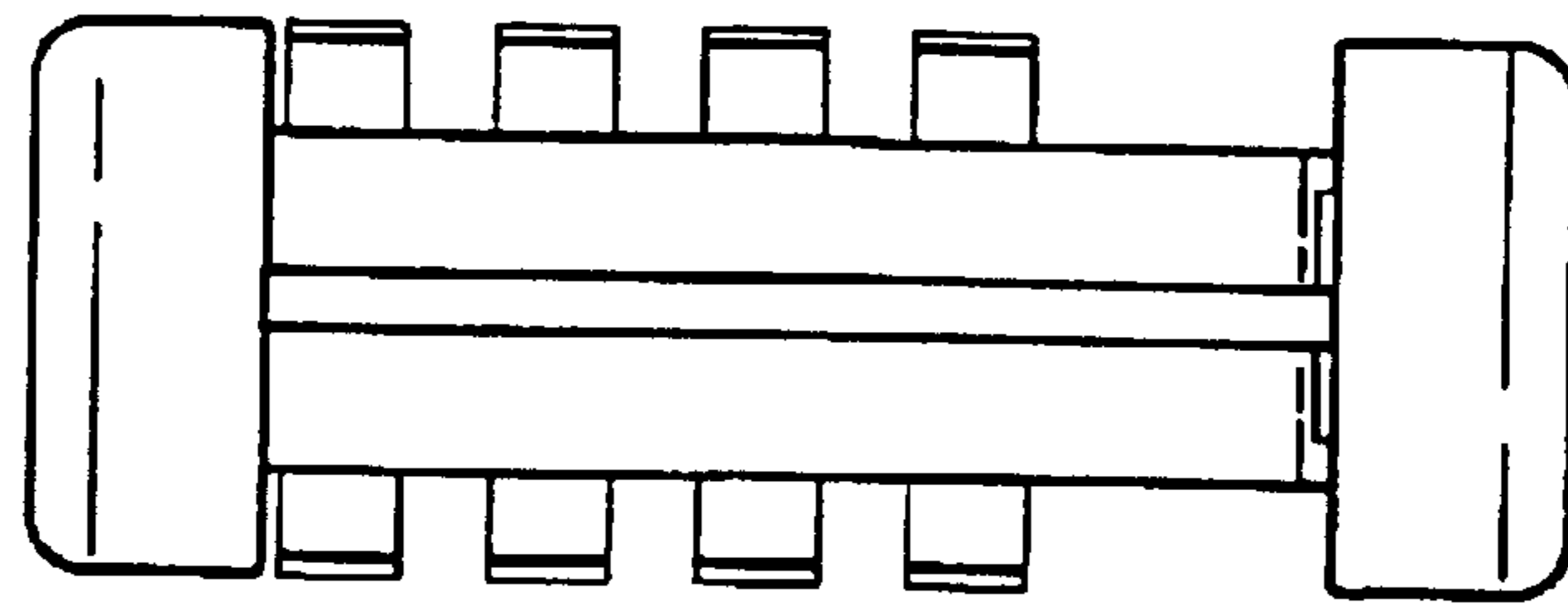


Fig. 6

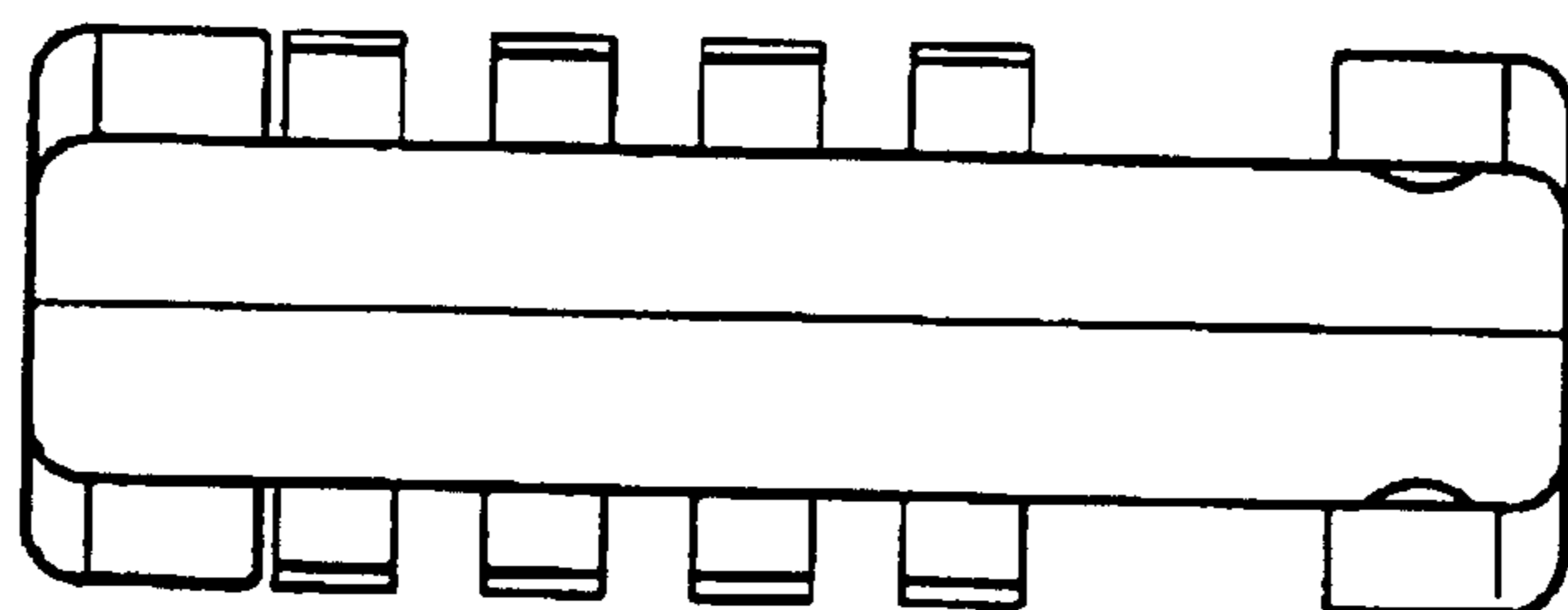


Fig. 7

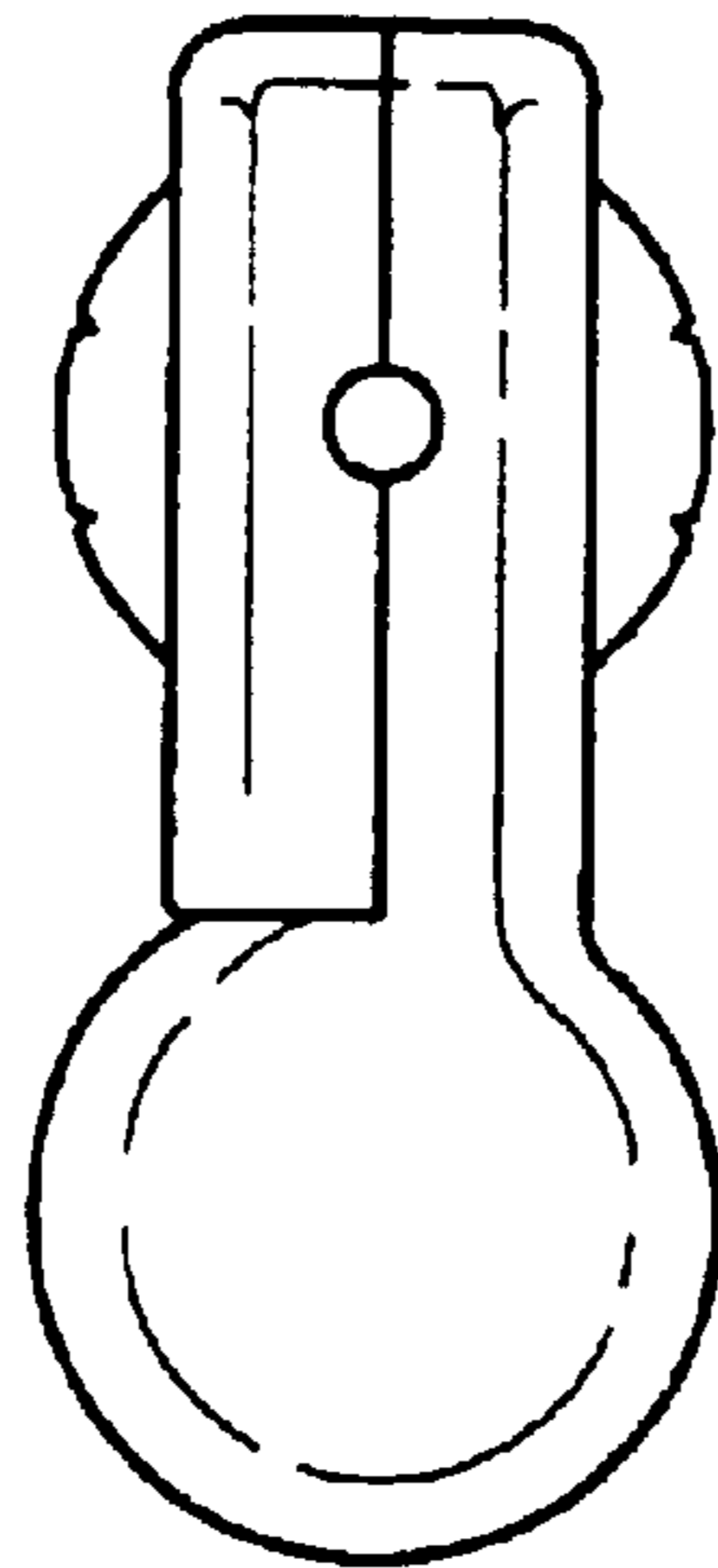


Fig. 8

